



US00D812908S

(12) **United States Design Patent**
Shum

(10) **Patent No.:** **US D812,908 S**
(45) **Date of Patent:** **** Mar. 20, 2018**

(54) **LUGGAGE**

(71) Applicant: **OOKONN LIMITED**, Wanchai (HK)

(72) Inventor: **Chun Hung Shum**, Wanchai (HK)

(73) Assignee: **Ookonn Limited**, Wanchai (HK)

(**) Term: **15 Years**

(21) Appl. No.: **29/559,442**

(22) Filed: **Mar. 28, 2016**

(51) **LOC (11) Cl.** **03-01**

(52) **U.S. Cl.**
USPC **D3/279**

(58) **Field of Classification Search**

USPC D3/272, 273, 276, 279, 281, 282, 287,
D3/289, 321, 902

CPC A45C 3/00; A45C 3/004; A45C 2003/008;
A45C 5/00; A45C 5/03; A45C 2005/032;
A45C 2005/037; A45C 5/04

See application file for complete search history.

(56) **References Cited**

U.S. PATENT DOCUMENTS

D416,135 S	*	11/1999	Chen	D3/276
D480,211 S	*	10/2003	Wolf	D3/276
D527,521 S	*	9/2006	Sijmons	D3/276
D565,295 S	*	4/2008	Weir	D3/271.1
D678,676 S	*	3/2013	Bettua	D3/276
D679,907 S	*	4/2013	Kwon	D3/279
D735,993 S	*	8/2015	Koepke	D3/284
D738,621 S	*	9/2015	Sheikh	D3/279
D779,202 S	*	2/2017	Xia	D3/289
D786,362 S	*	5/2017	Pickavance	D21/423

OTHER PUBLICATIONS

Henri Dendel, "Centennial Stripe Hatbox Wheelie", Accessed Aug. 23, 2017. (<http://www.henribendel.com/bg/centennial-stripe-hat-box-wheelie-281998.html>).*

Instagram user @ookonn, First luggage image posted Aug. 18, 2016, Accessed Aug. 23, 2017. (<https://www.instagram.com/ookonn/>).*

Smart Birdy, "Wings: Cognac Leather Trim", Accessed Aug. 23, 2017. (<https://www.smartbirdy.com/product-page/wings-cognac-ostrich-real-leather-trim>).*

Nylon, "Calpak Baye Milk Marble in Large", Accessed Aug. 23, 2017. (<https://shop.nylon.com/products/baye-milk-marble-in-large>).*

* cited by examiner

Primary Examiner — Jennifer Rivard

Assistant Examiner — April Rivas

(74) *Attorney, Agent, or Firm* — Schmeiser, Olsen & Watts, LLP

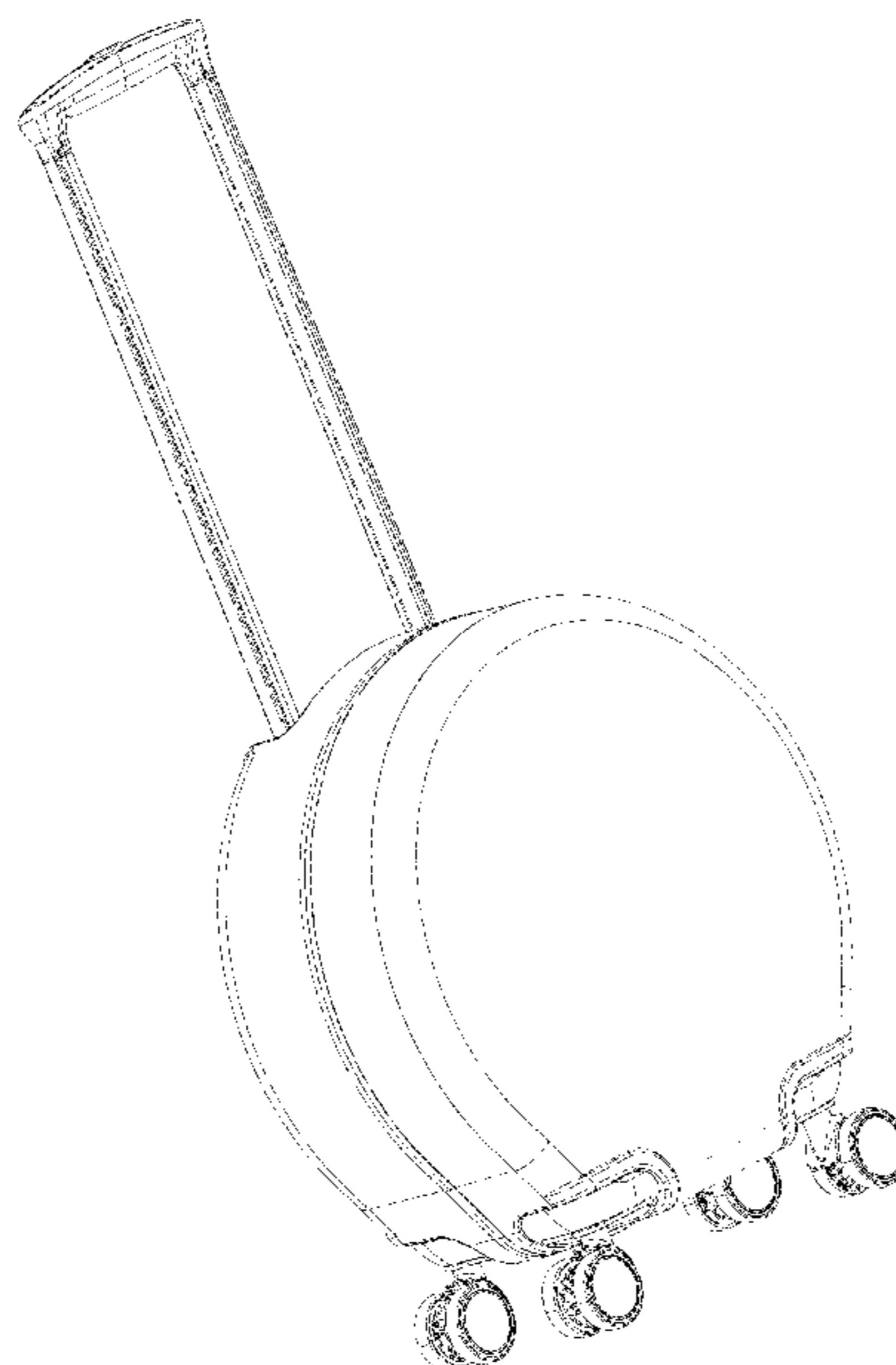
(57) **CLAIM**

The ornamental design for a luggage, as shown and described.

DESCRIPTION

FIG. 1 is a Front elevational view of a luggage showing my new design;
FIG. 2 is a Rear elevational view thereof;
FIG. 3 is a Top plan view thereof;
FIG. 4 is a Bottom plan view thereof;
FIG. 5 is a Right side view thereof;
FIG. 6 is a Left side view thereof;
FIG. 7 is a front perspective view thereof;
FIG. 8 is a front perspective views; with the rear handle shown in an extended configuration; and,
FIG. 9 is a rear perspective view thereof.
The broken lines illustrate portions of the luggage and form no part of the claimed design.

1 Claim, 9 Drawing Sheets



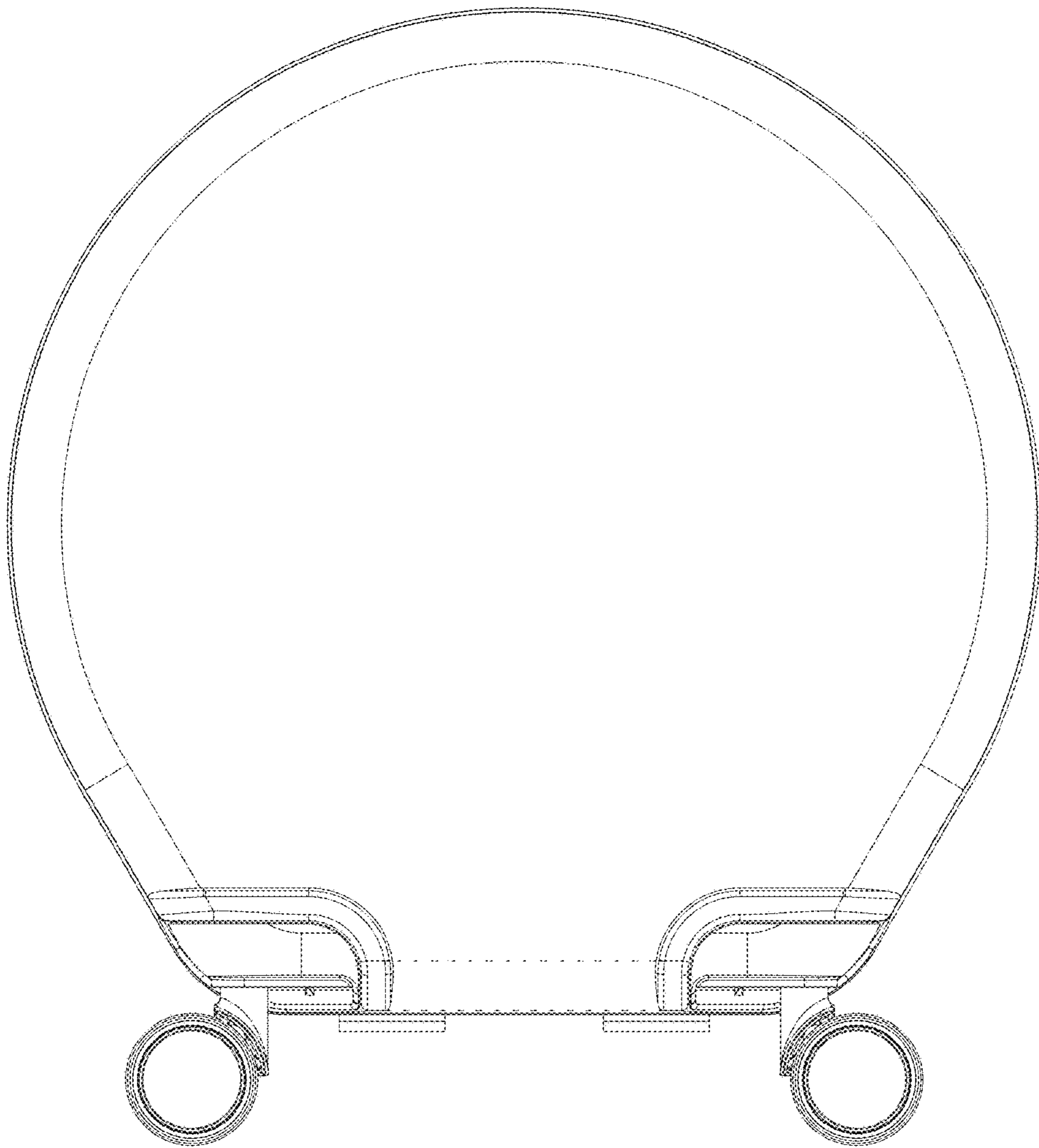


FIG. 1

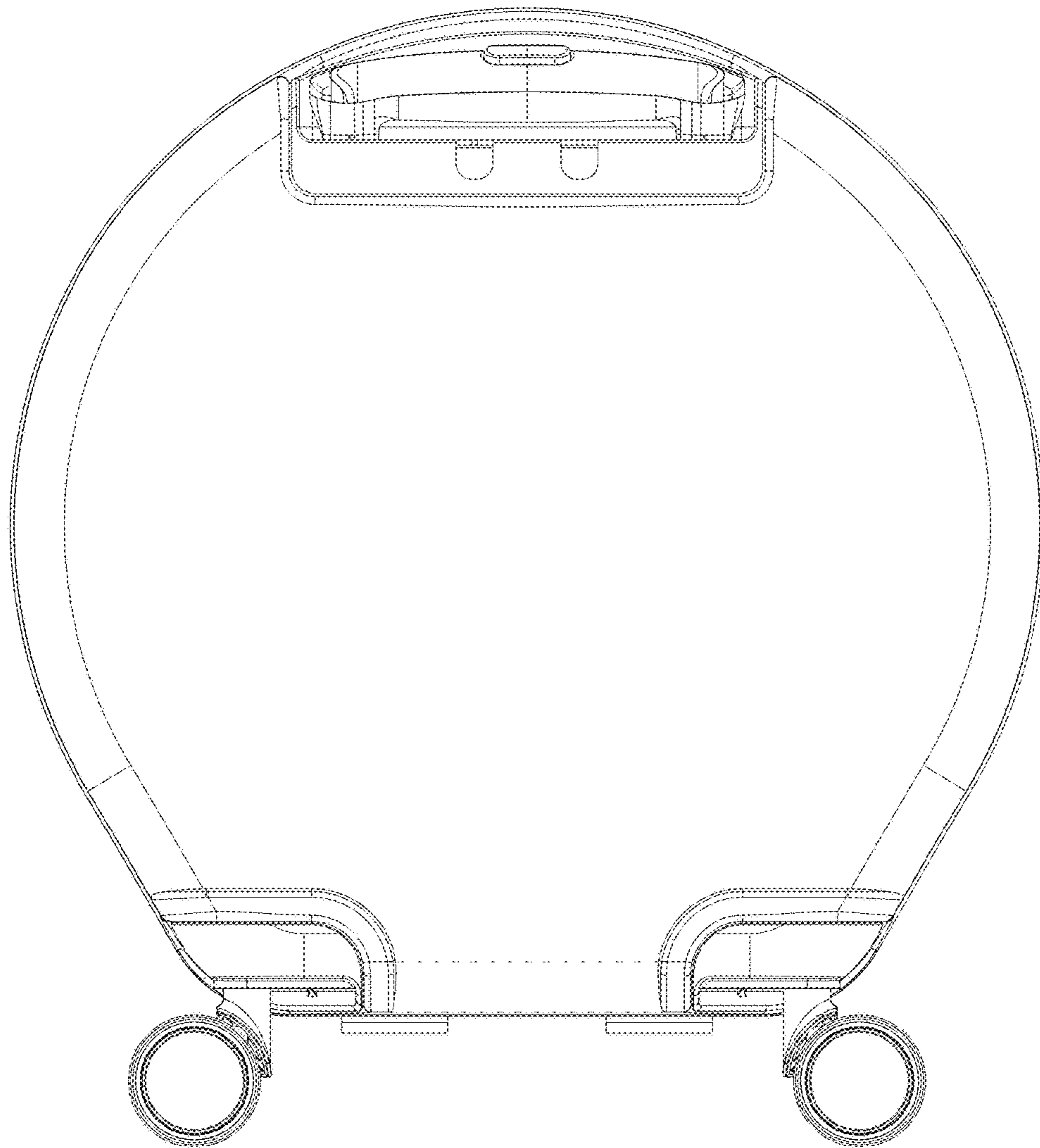


FIG. 2

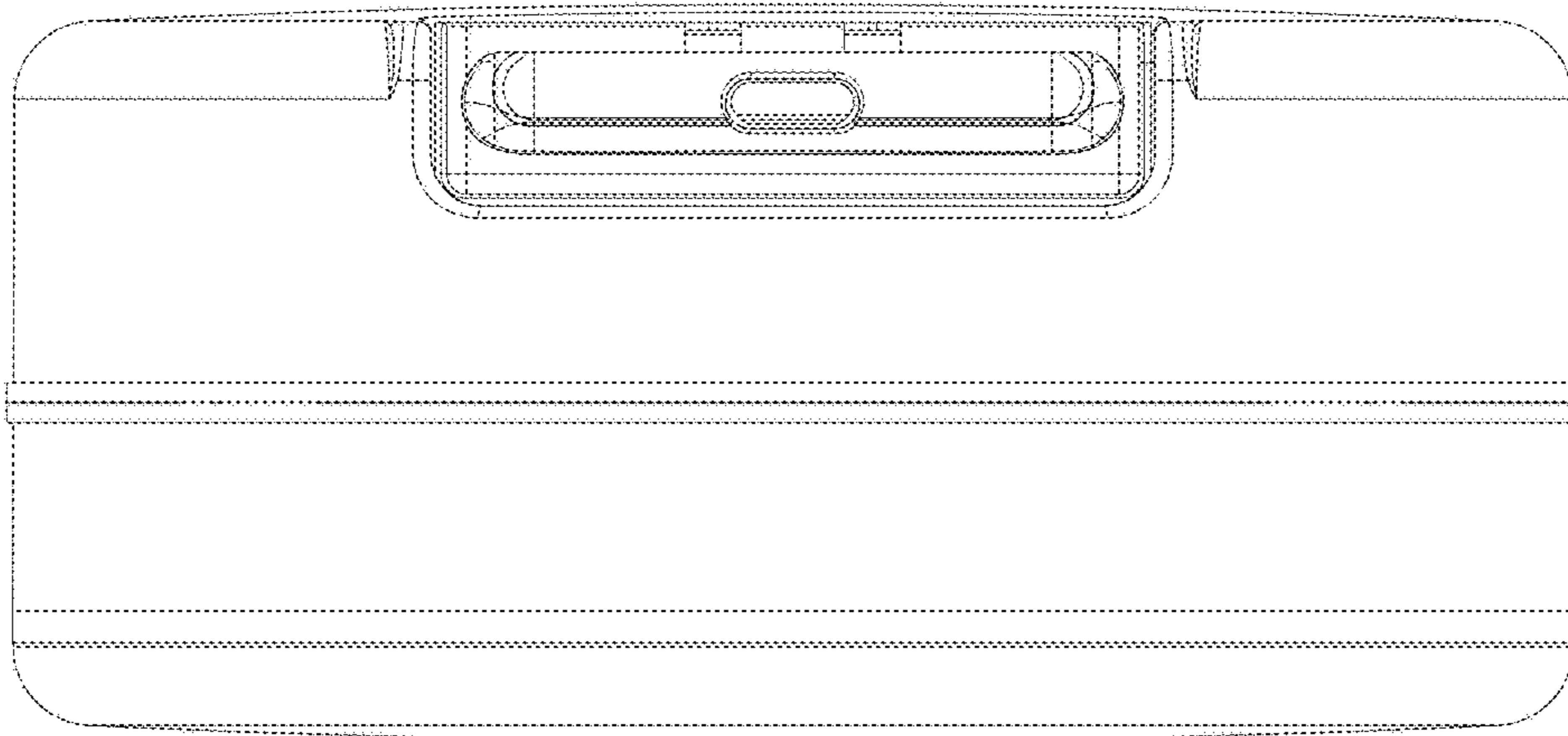


FIG. 3

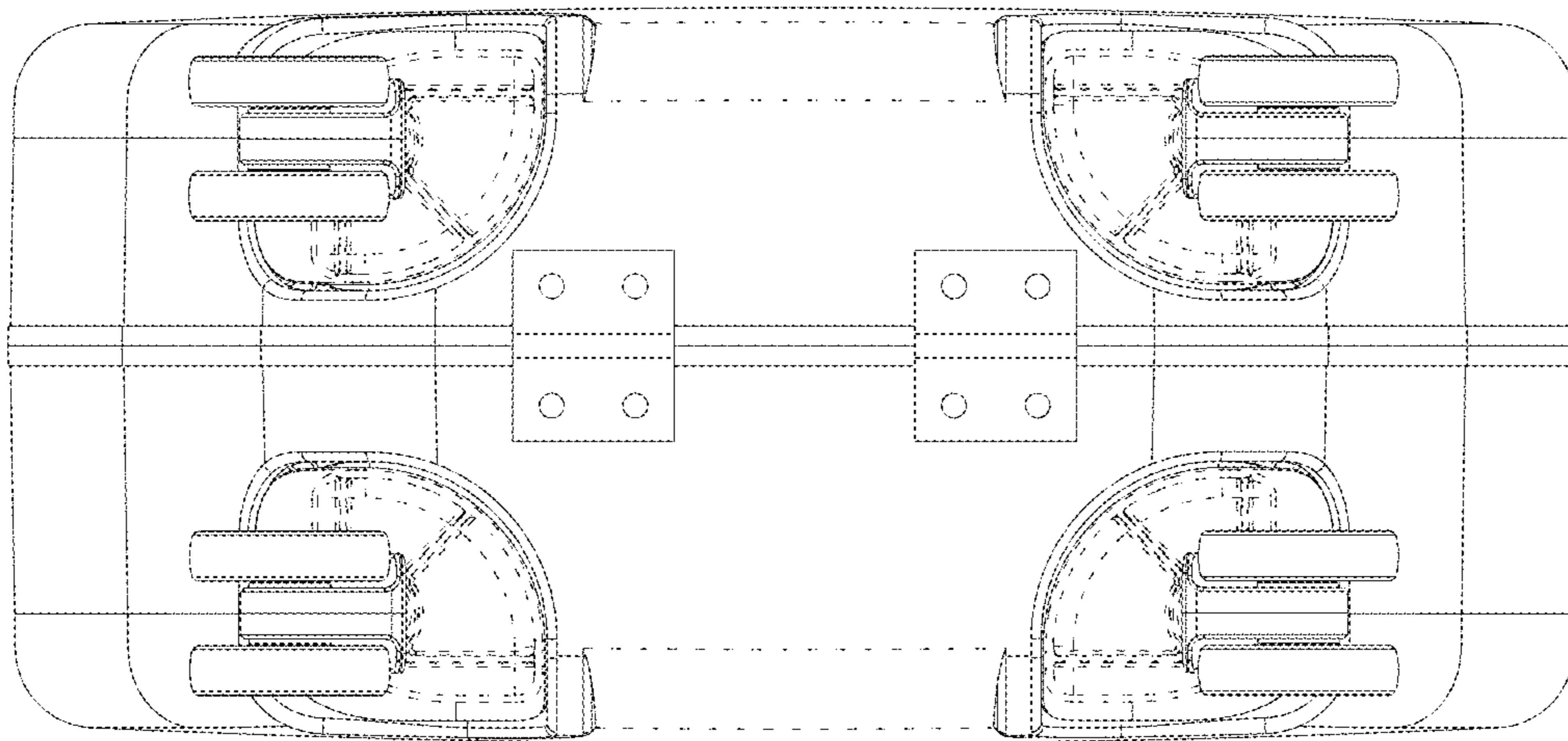


FIG. 4

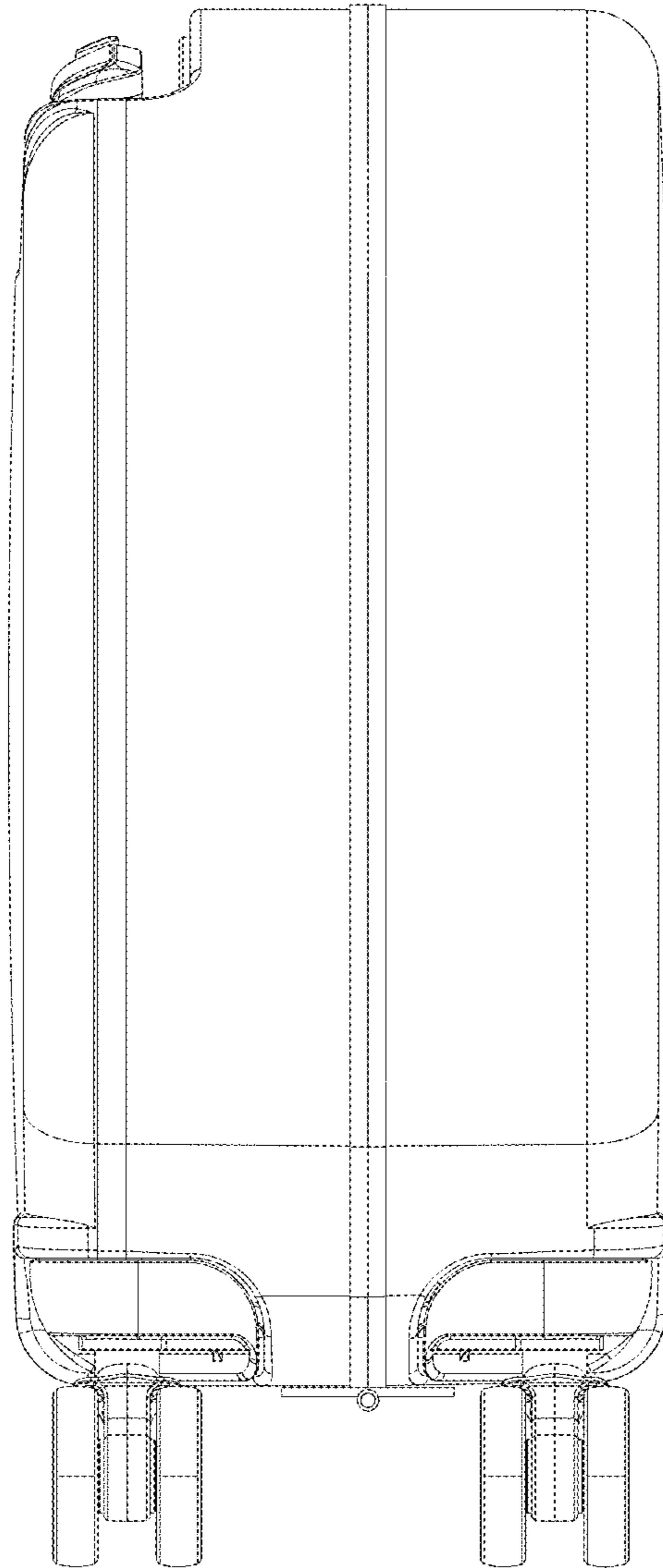


FIG. 5

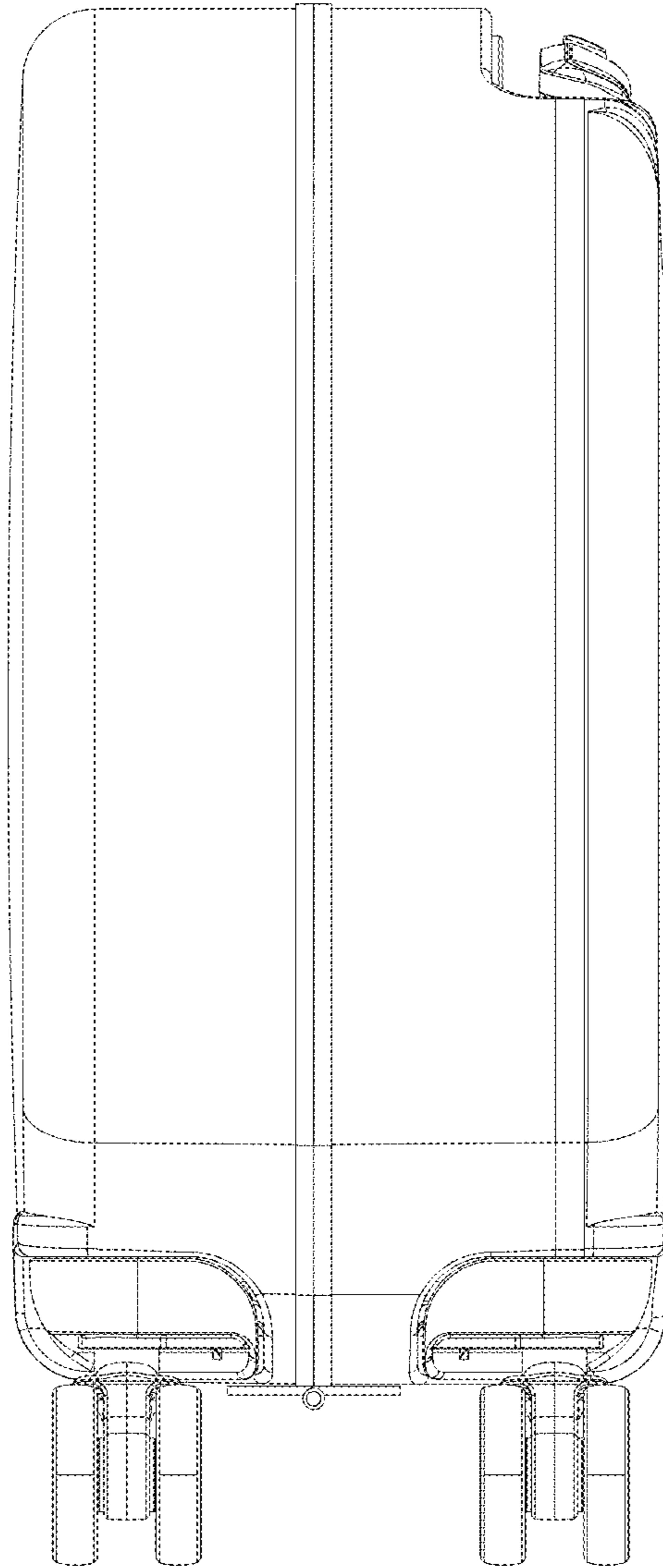


FIG. 6

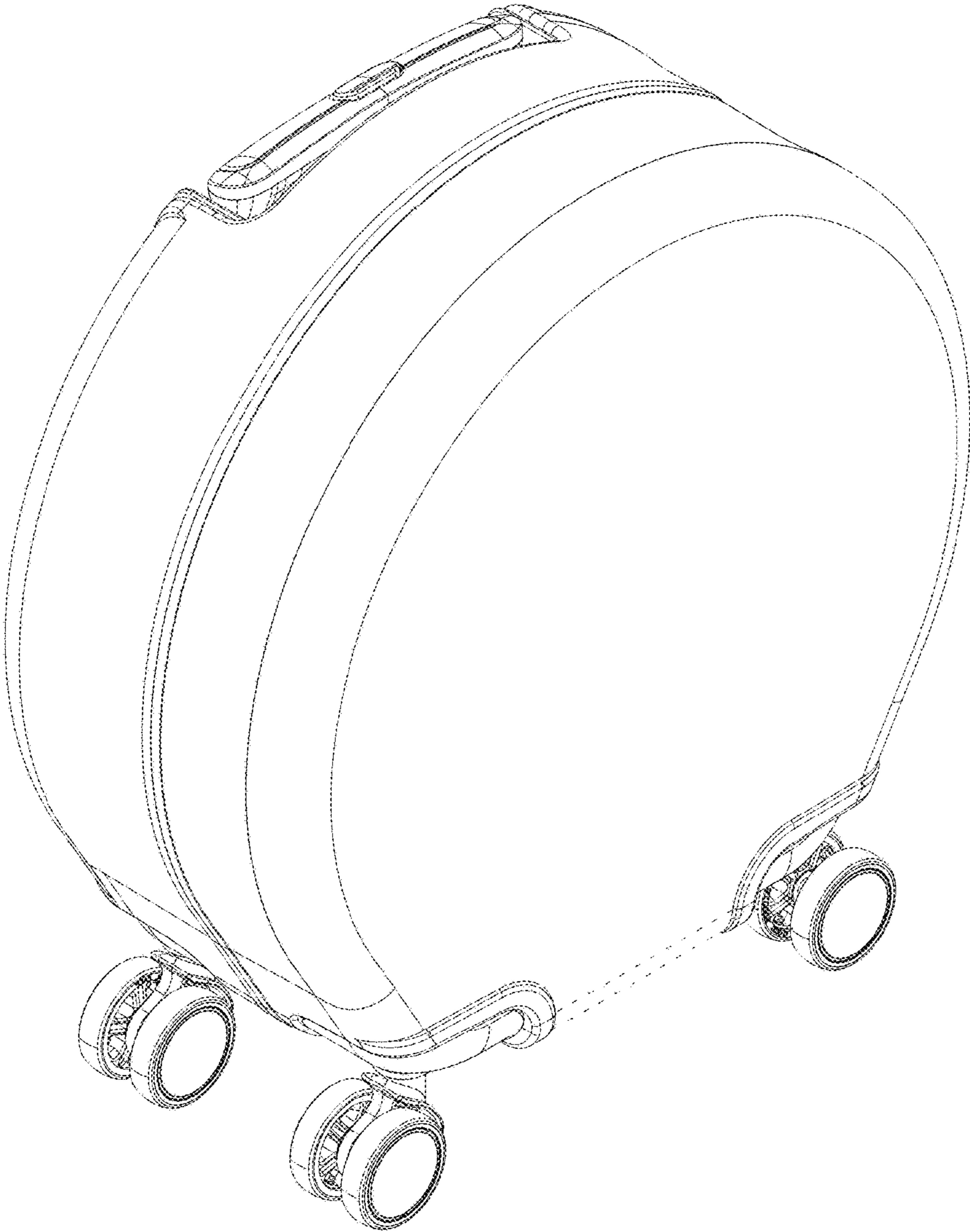


FIG. 7

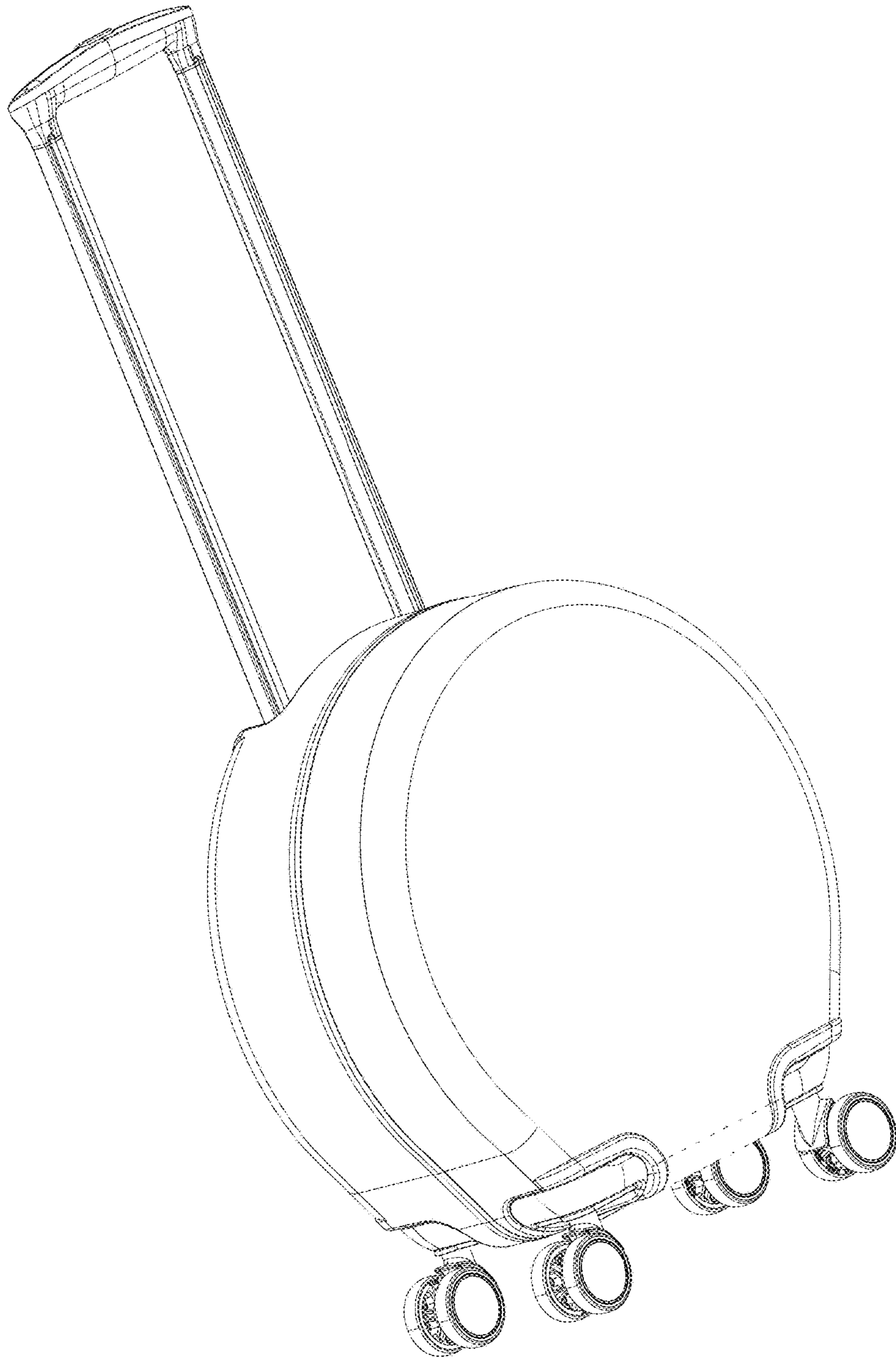


FIG. 8

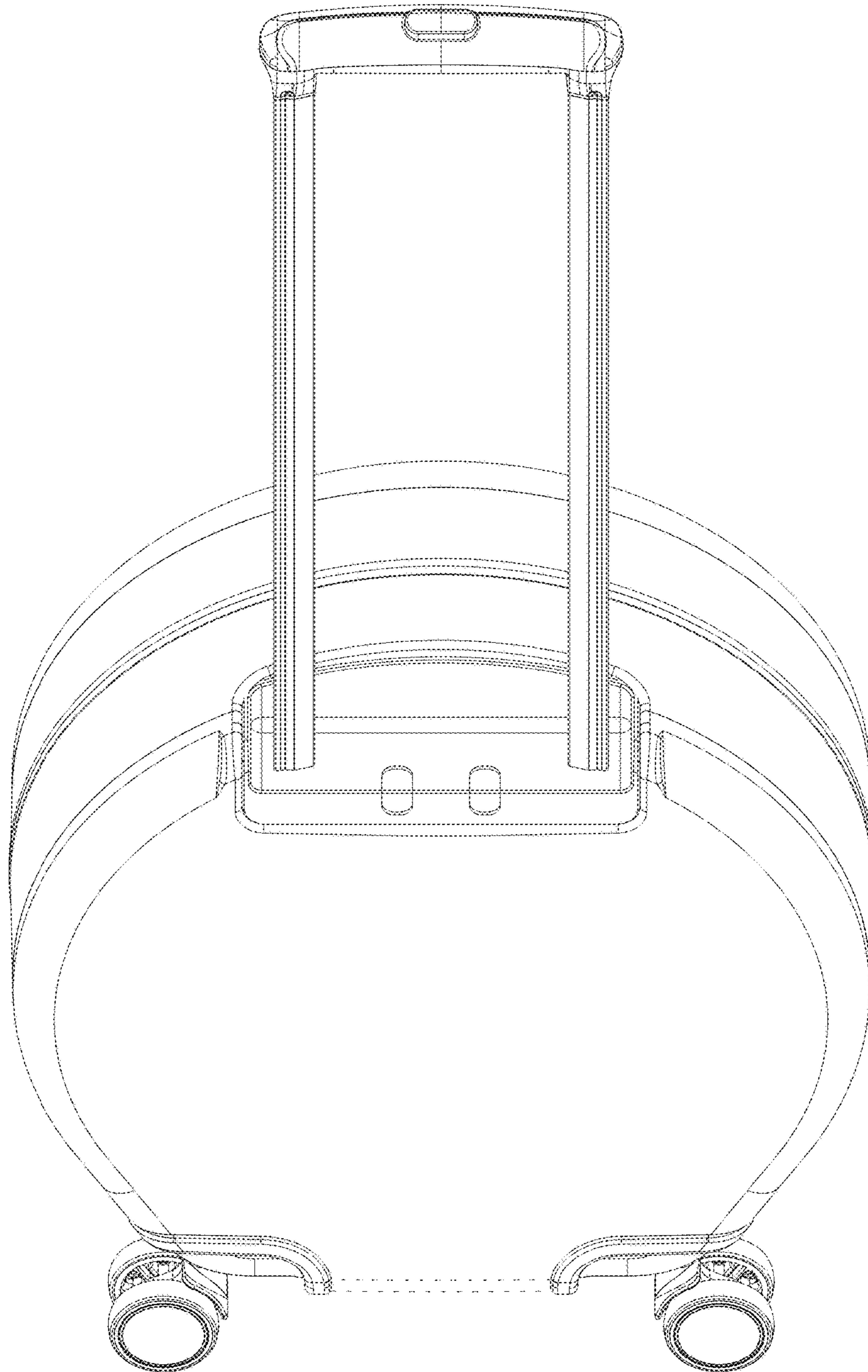


FIG. 9