



US00D812907S

(12) **United States Design Patent** (10) **Patent No.:** **US D812,907 S**
Rivera et al. (45) **Date of Patent:** **** Mar. 20, 2018**

(54) **CONTAINER**

(71) Applicant: **ENDURAL, LLC**, Costa Mesa, CA (US)
(72) Inventors: **Raul J. Rivera**, Long Beach, CA (US); **Susan J. Williams**, Huntington Beach, CA (US); **James P. Burra**, Laguna Hills, CA (US)
(73) Assignee: **ENDURAL, LLC**, Costa Mesa, CA (US)
(**) Term: **15 Years**

(21) Appl. No.: **29/591,064**
(22) Filed: **Jan. 16, 2017**
(51) **LOC (11) Cl.** **03-01**
(52) **U.S. Cl.**
USPC **D3/269; D3/272**
(58) **Field of Classification Search**
USPC D3/272, 302, 203.6, 217, 218, 233, 249, D3/269, 274, 276, 279, 282, 284, 288, D3/289, 290, 900, 901, 902, 205, 313, D3/403
CPC .. B65D 85/68; A45C 3/00; A45C 5/00; A45C 2003/007; A45C 2003/008; A45C 5/03; A45C 5/04; A45C 7/0036; A45C 7/0059; A45C 2009/007; A45C 11/16; A45C 7/00
See application file for complete search history.

(56) **References Cited**

U.S. PATENT DOCUMENTS

D334,094 S * 3/1993 Braid D12/419
D386,306 S * 11/1997 Zimmerman D3/273
D430,395 S 9/2000 Holahan
D432,787 S 10/2000 Holahan
D439,514 S 3/2001 Burra
D440,042 S * 4/2001 Holahan D3/272

(Continued)

OTHER PUBLICATIONS

Transmisson Digest, "Endural: Shipping Containers for Converters", Posted Jul. 11, 2017, Accessed Oct. 16, 2017. (<https://transmissiondigest.com/Content/Default/News/Article/Endural-Shipping-Containers-for-Converters/-3/9/232>).*

Primary Examiner — Jennifer Rivard
Assistant Examiner — April Rivas
(74) *Attorney, Agent, or Firm* — Fish IP Law, LLC

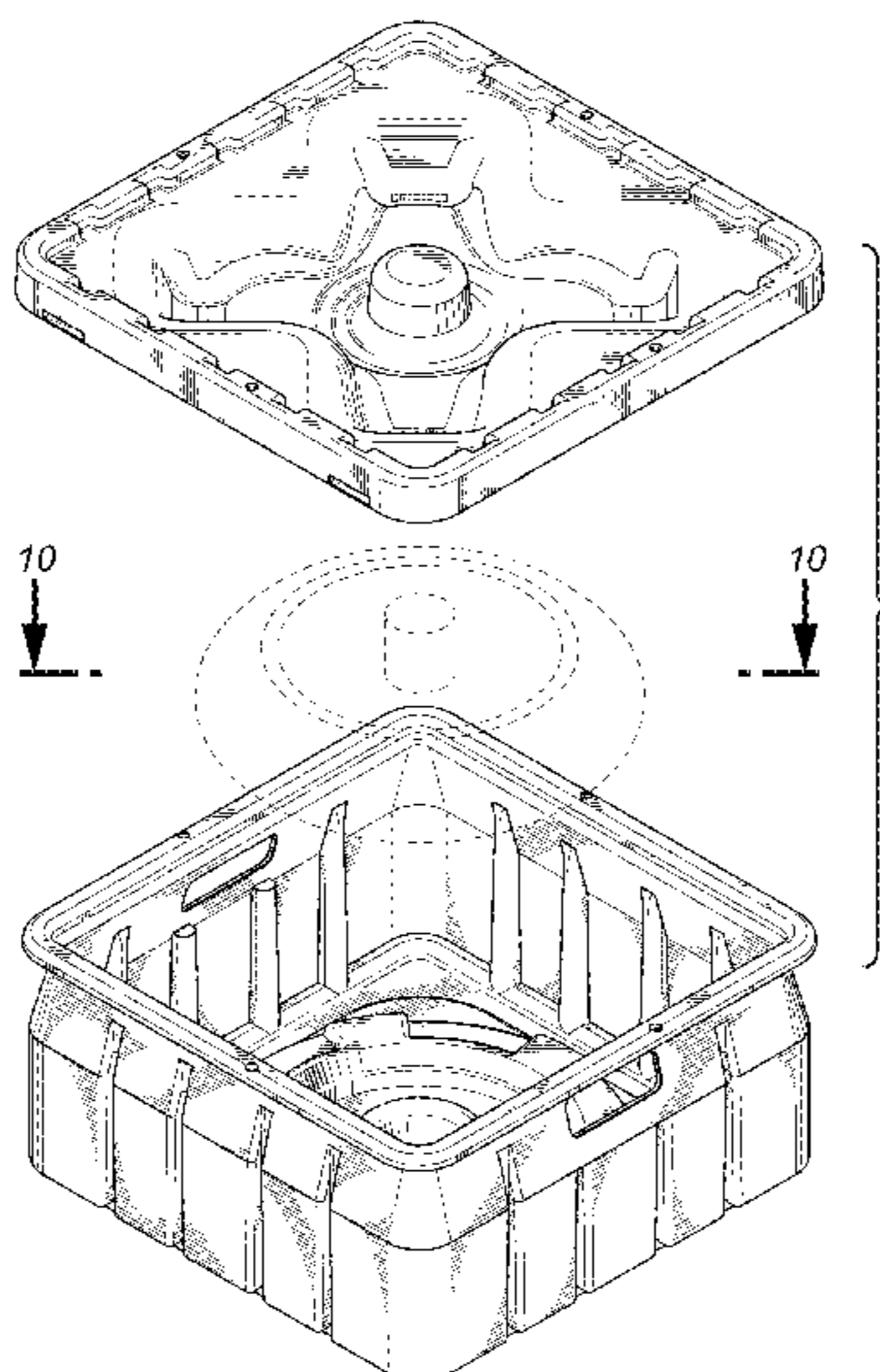
(57) **CLAIM**

The ornamental design for a container, as shown and described.

DESCRIPTION

FIG. 1 is a top, front, right side perspective view of a container.
FIG. 2 is a bottom, rear, left side perspective view of the container of FIG. 1.
FIG. 3 is a front elevation view of the container of FIG. 1, the rear elevation view being substantially the same.
FIG. 4 is a left side elevation view of the container of FIG. 1, the right side elevation view being substantially the same.
FIG. 5 is a top plan view of the container of FIG. 1.
FIG. 6 is a bottom plan view of the container of FIG. 1.
FIG. 7 is a cross-section view taken along line 7-7 of FIG. 4.
FIG. 8 is a top, front, right side exploded perspective view of the container of FIG. 1.
FIG. 9 is a bottom, rear, left side exploded perspective view of the container of FIG. 1.
FIG. 10 is a top plan view of the base of the container taken along line 10-10 in FIG. 8; and,
FIG. 11 is a bottom plan view of the lid taken along line 11-11 in FIG. 9.
The broken lines in FIGS. 8 and 9 showing an outline of a torque converter are included for the purpose of illustrating environment and forms no part of the claimed design.

1 Claim, 10 Drawing Sheets



(56)

References Cited

U.S. PATENT DOCUMENTS

D467,075 S * 12/2002 Fajers D3/273
D467,076 S * 12/2002 Fajers D3/273
D498,050 S * 11/2004 Scribner D3/273
D552,467 S * 10/2007 Templeton D9/420
7,331,453 B2 2/2008 Burra et al.
D578,757 S * 10/2008 Stevens D3/272
D688,866 S * 9/2013 Lalo D3/272
D799,825 S * 10/2017 Bores D3/302
2010/0213088 A1* 8/2010 Goda B65D 19/06
206/386
2012/0200210 A1* 8/2012 Rockwell D06F 37/262
312/228
2016/0365265 A1* 12/2016 Kirkland H01L 21/67346

* cited by examiner

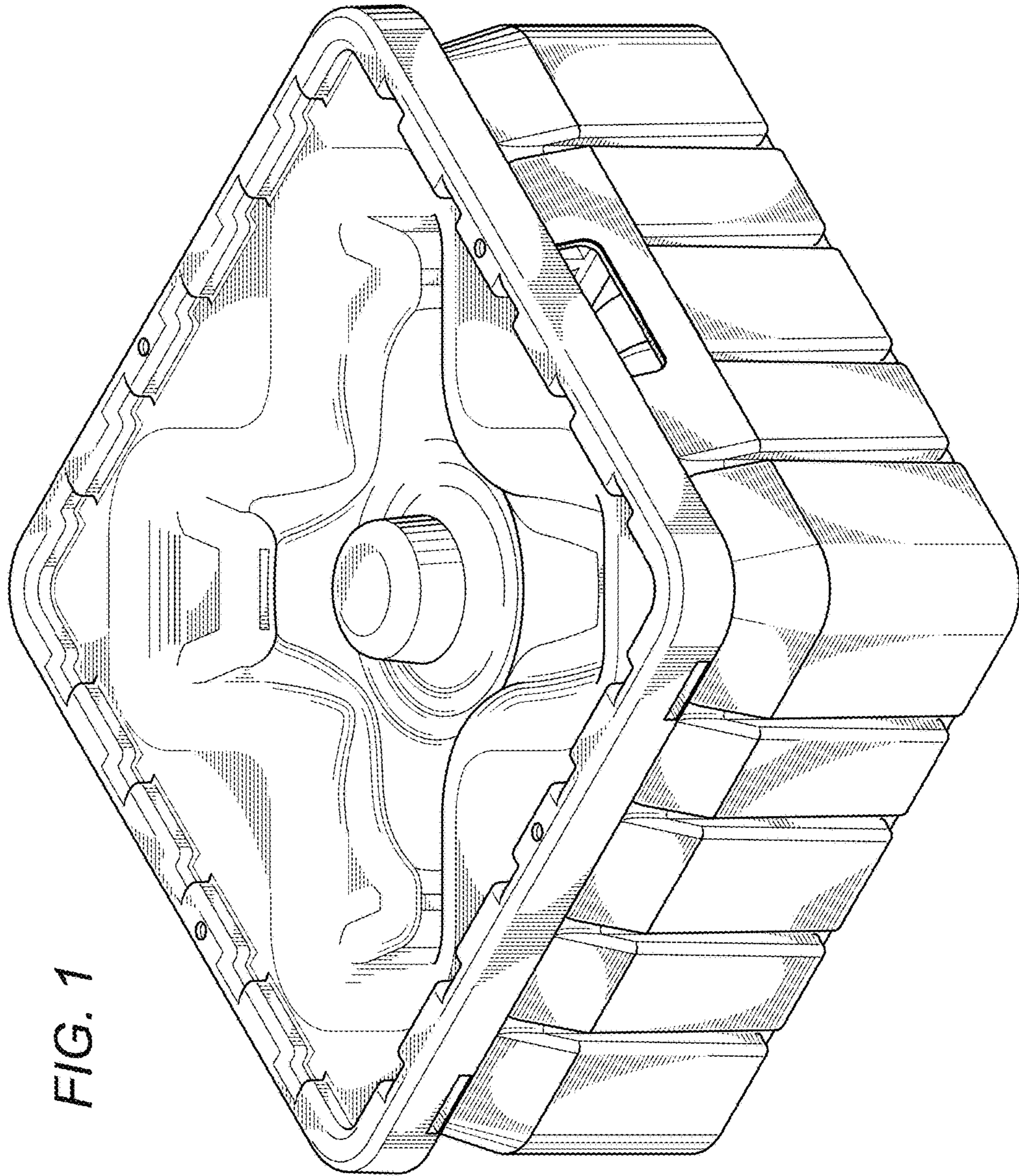


FIG. 1

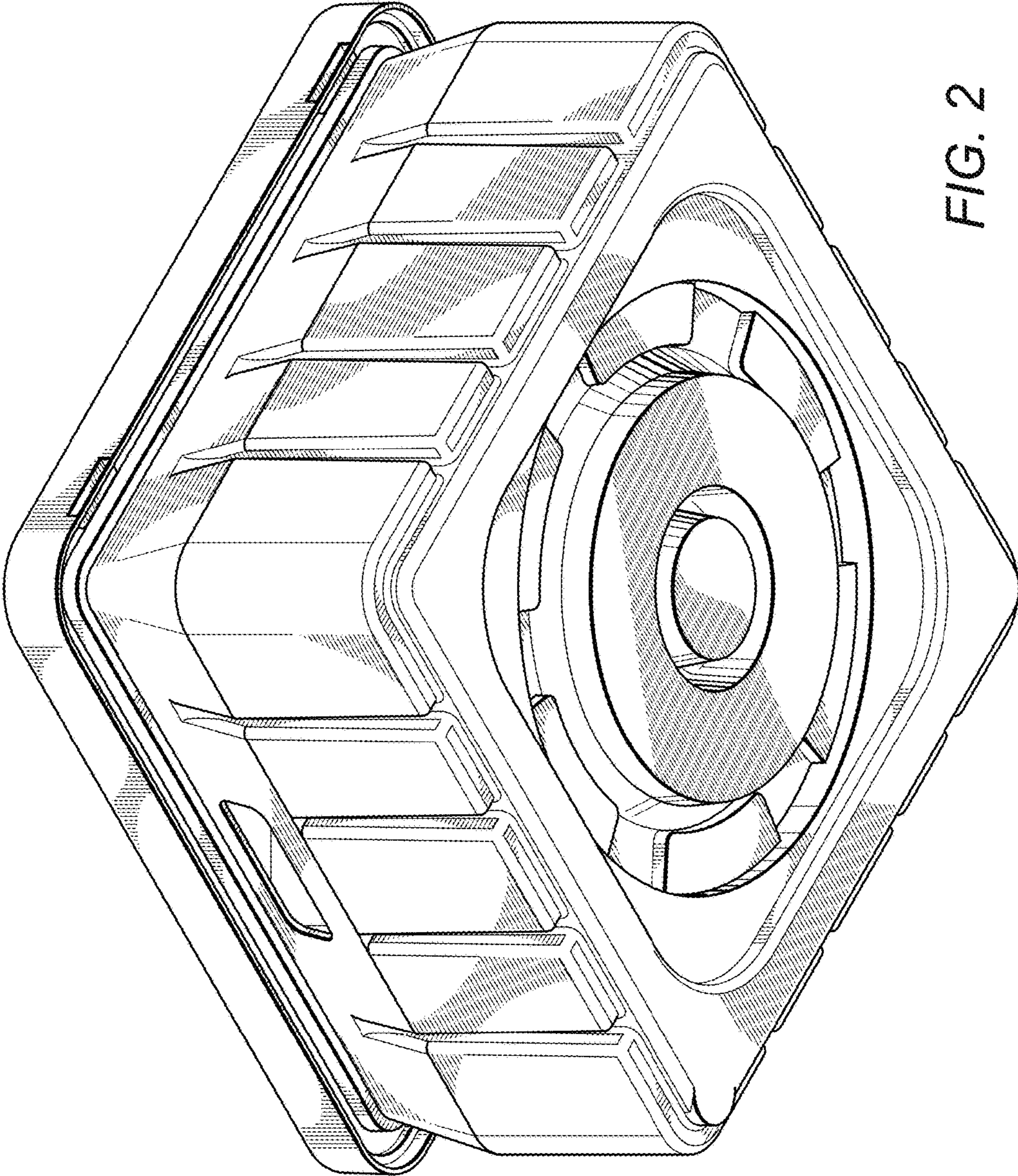


FIG. 2

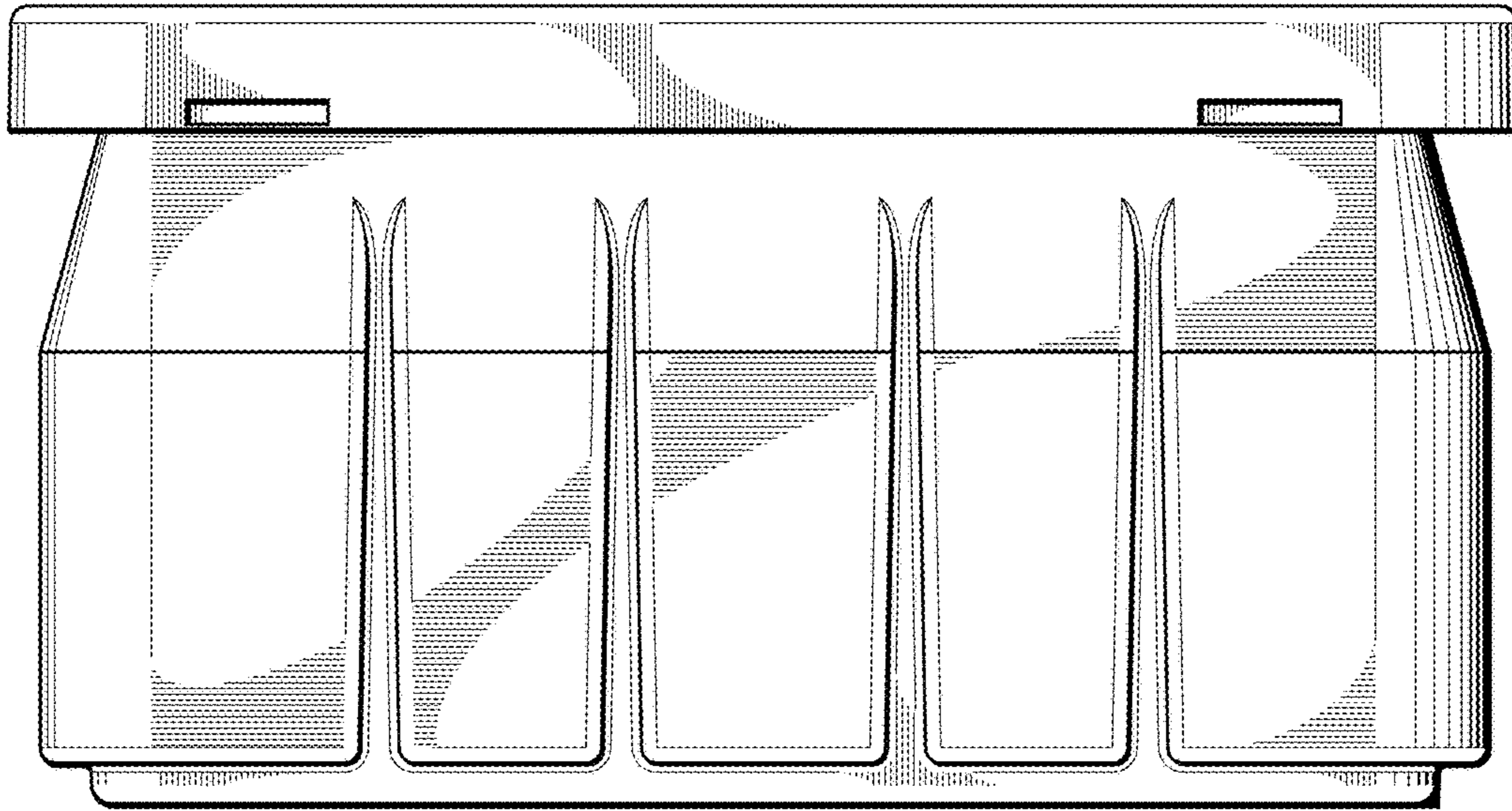
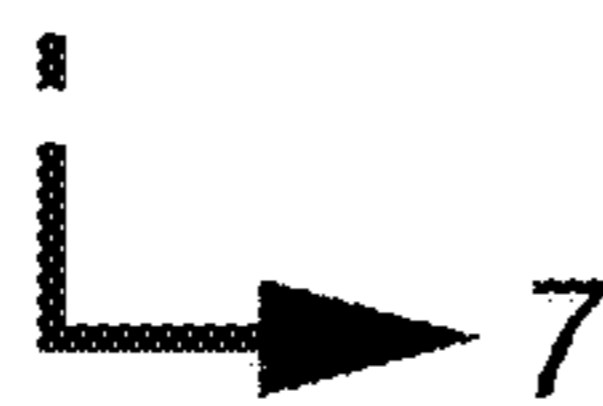
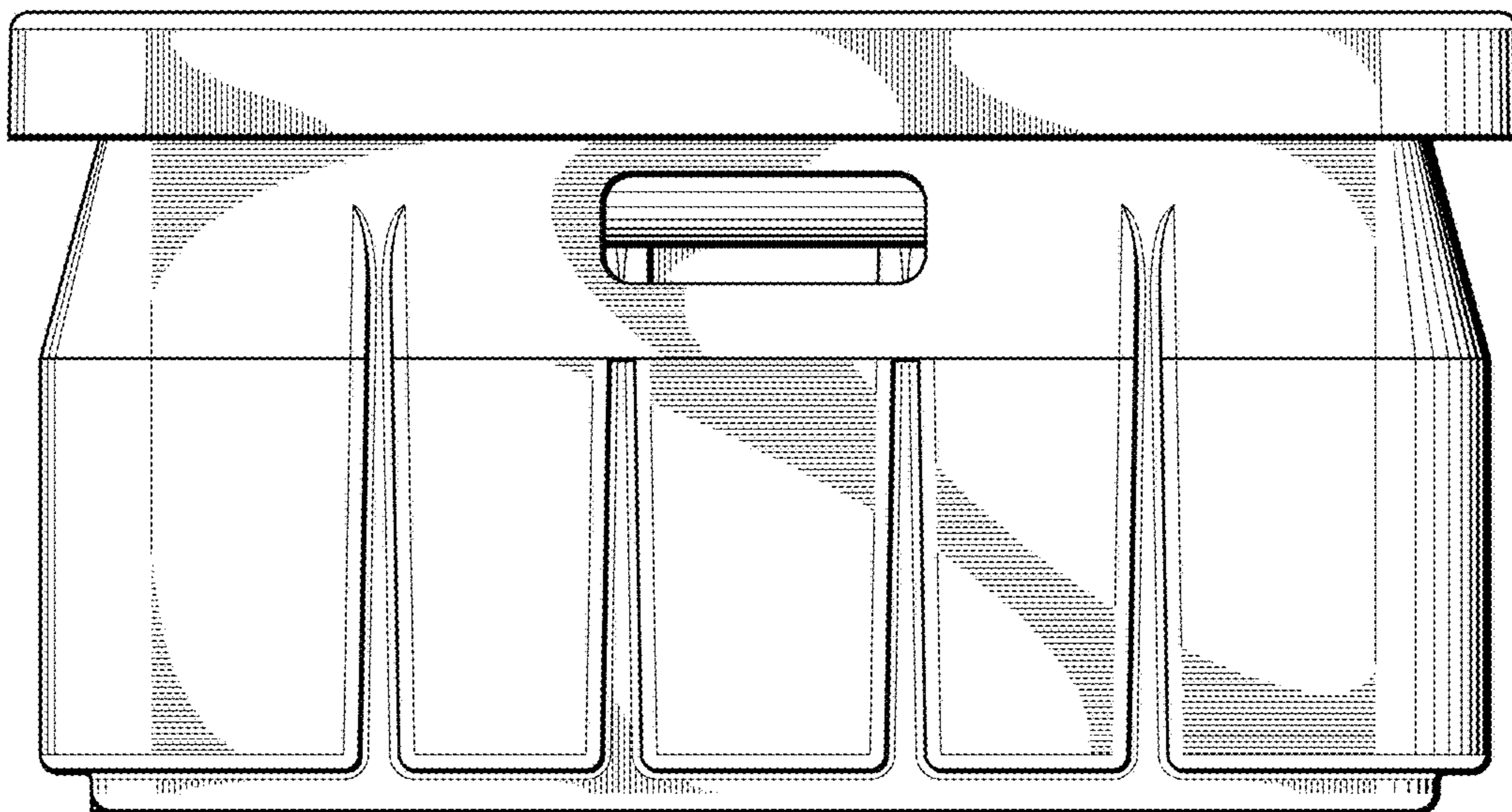
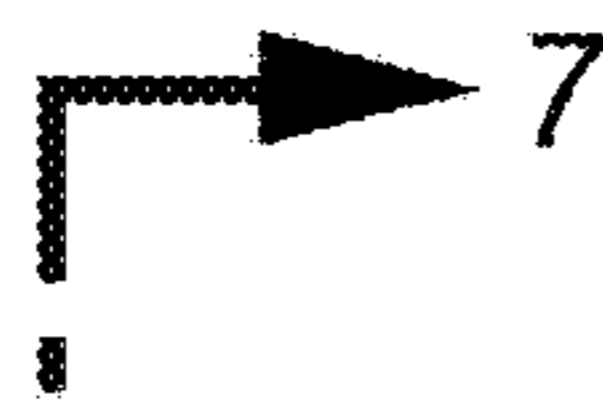


FIG. 3

FIG. 4



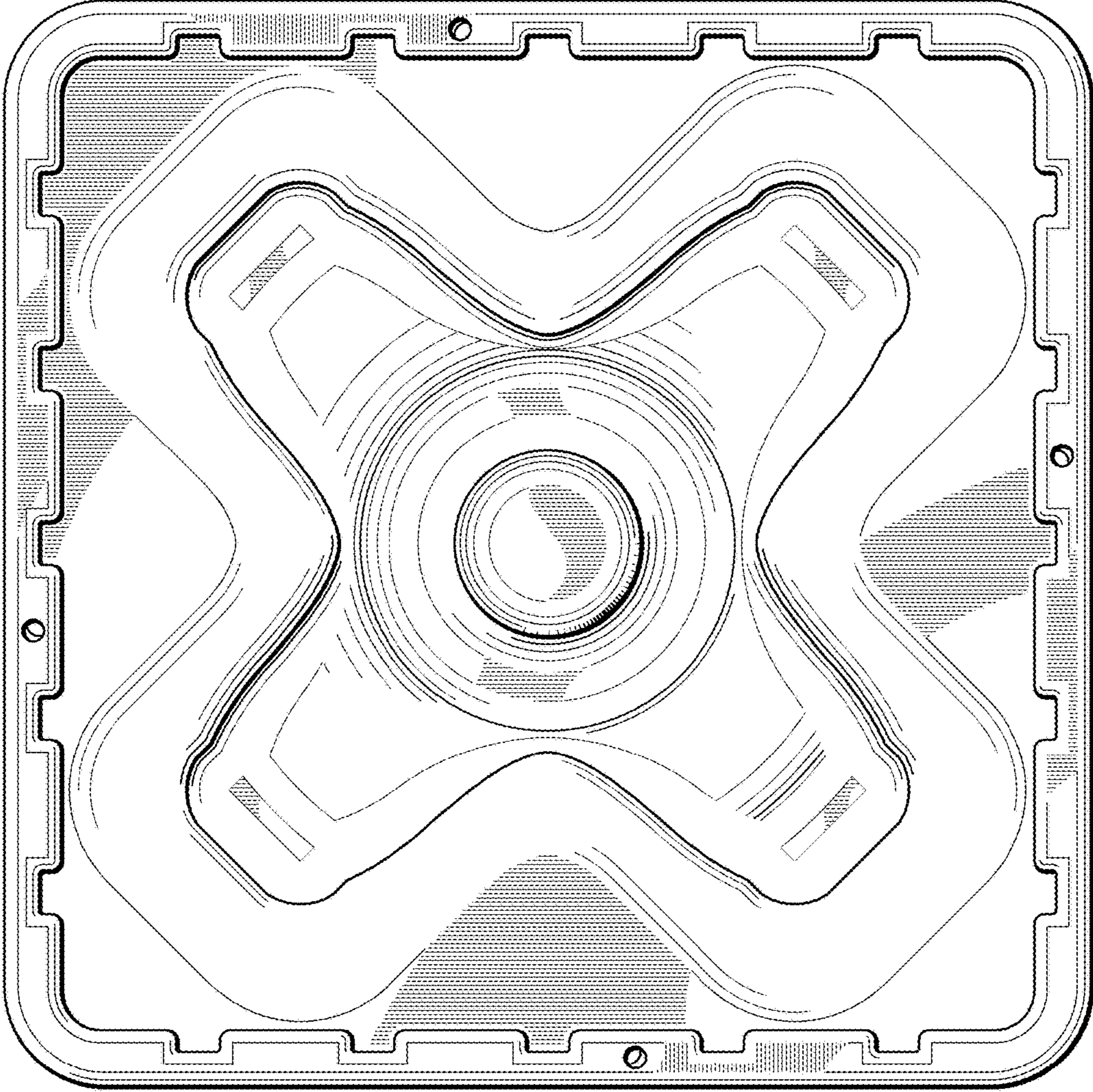


FIG. 5

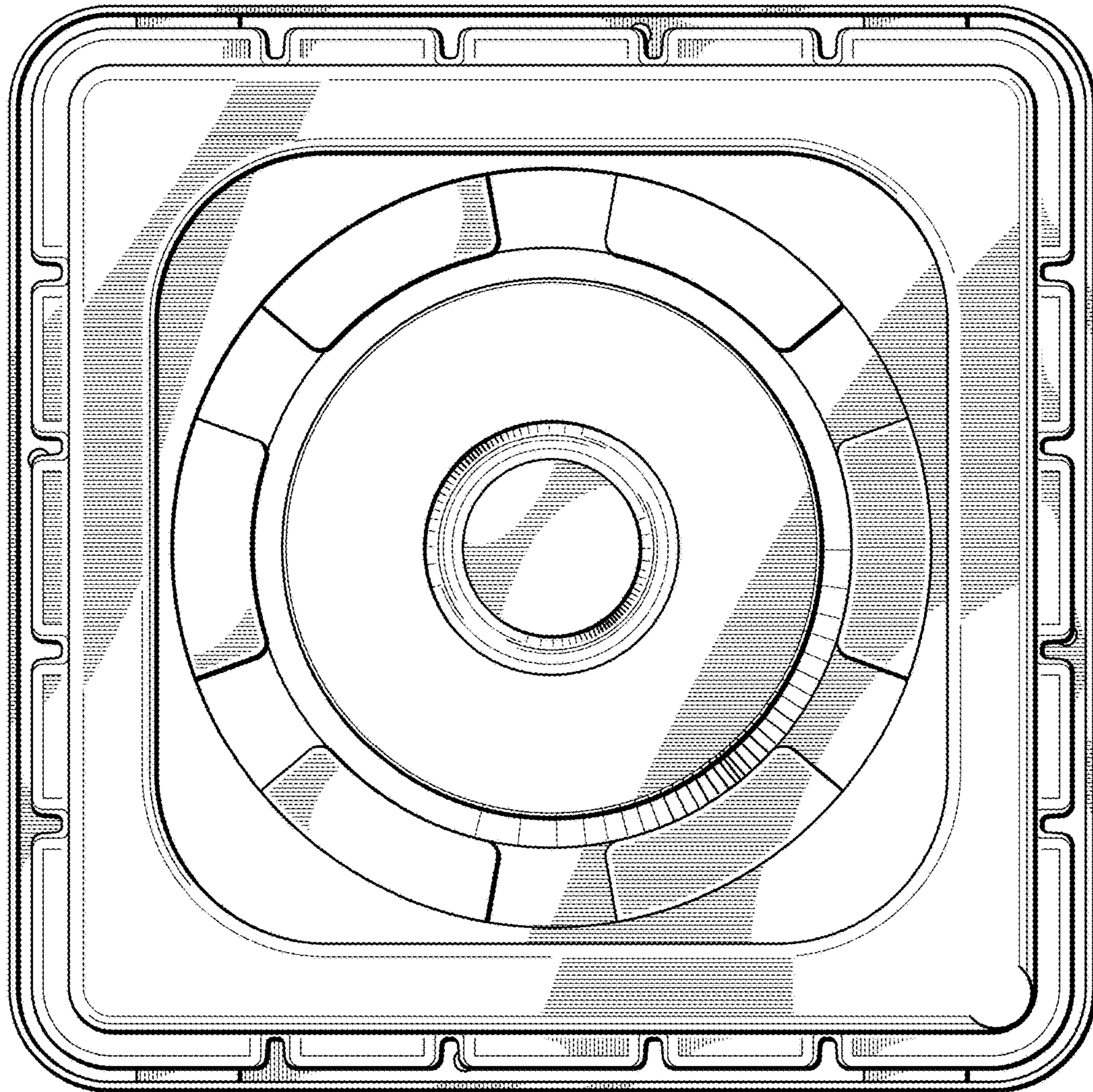


FIG. 6

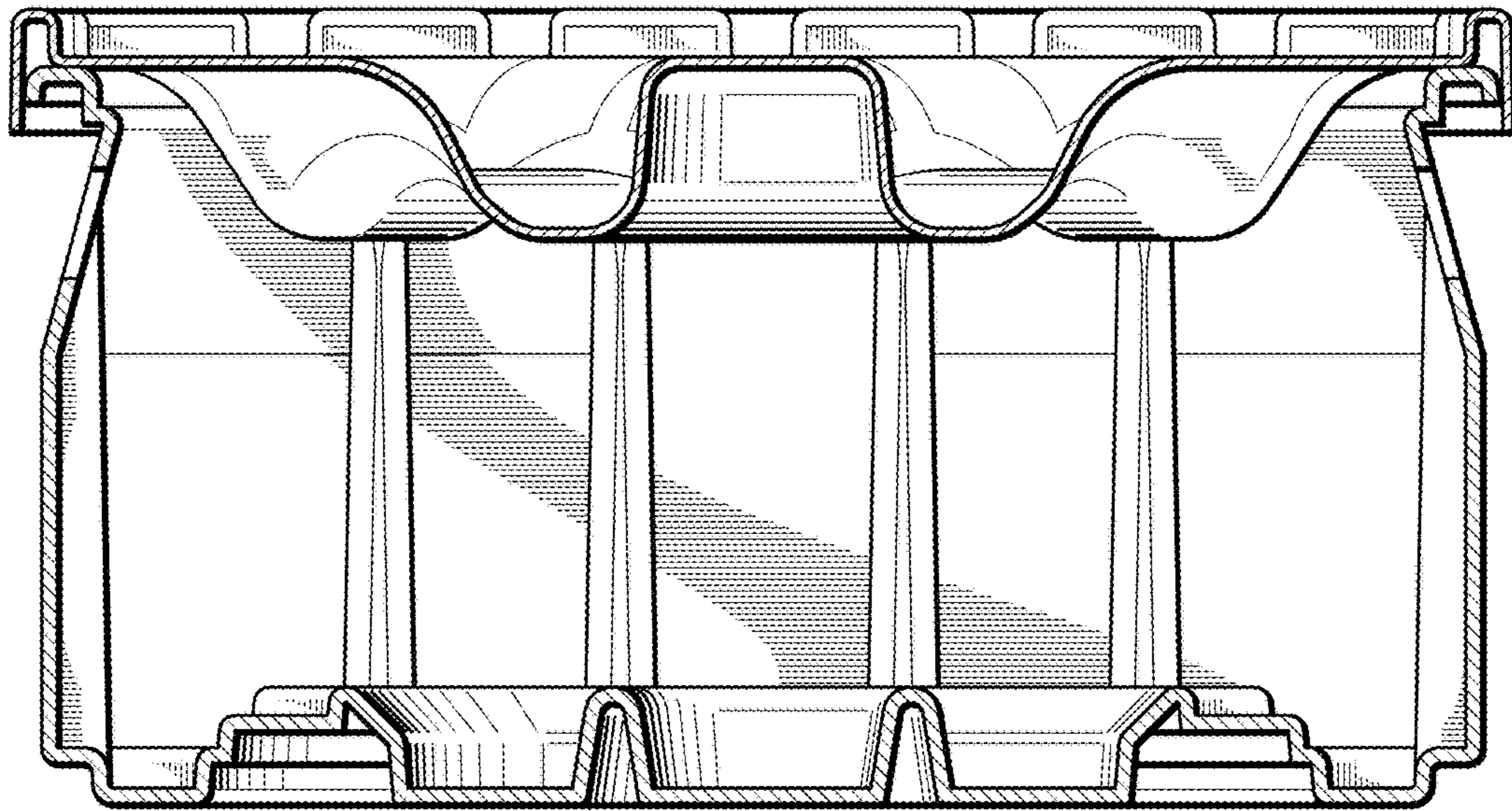


FIG. 7

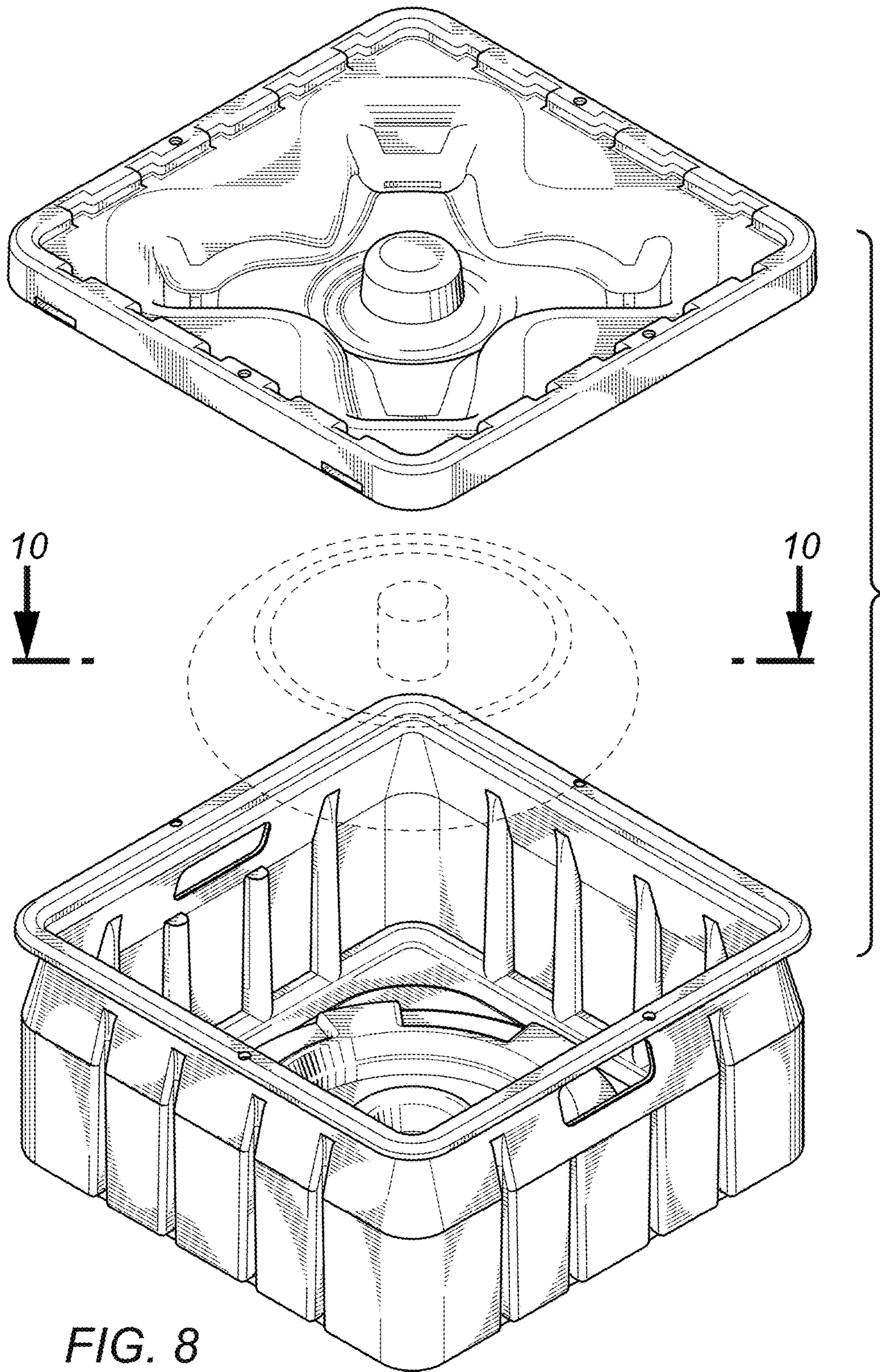
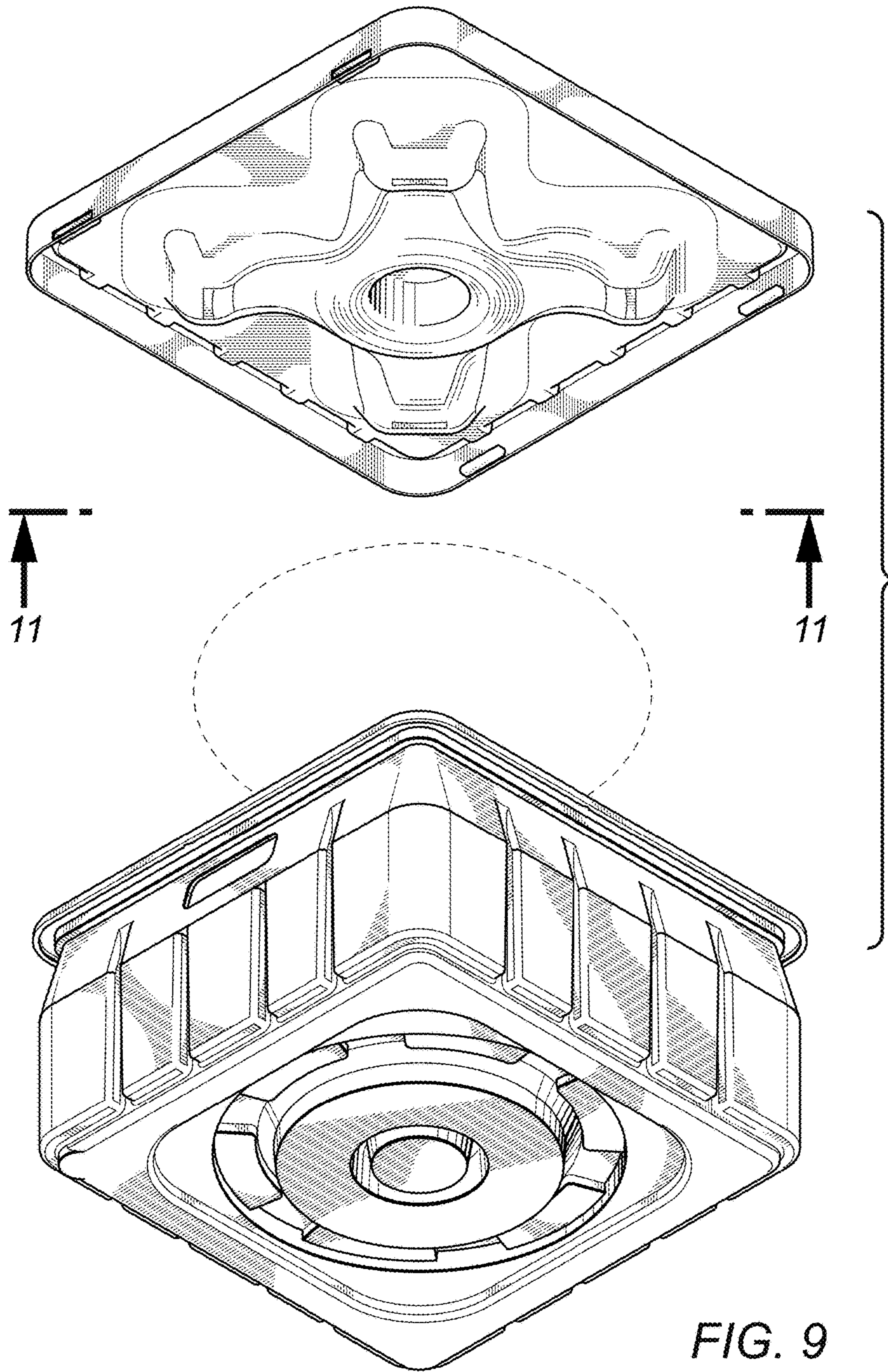


FIG. 8



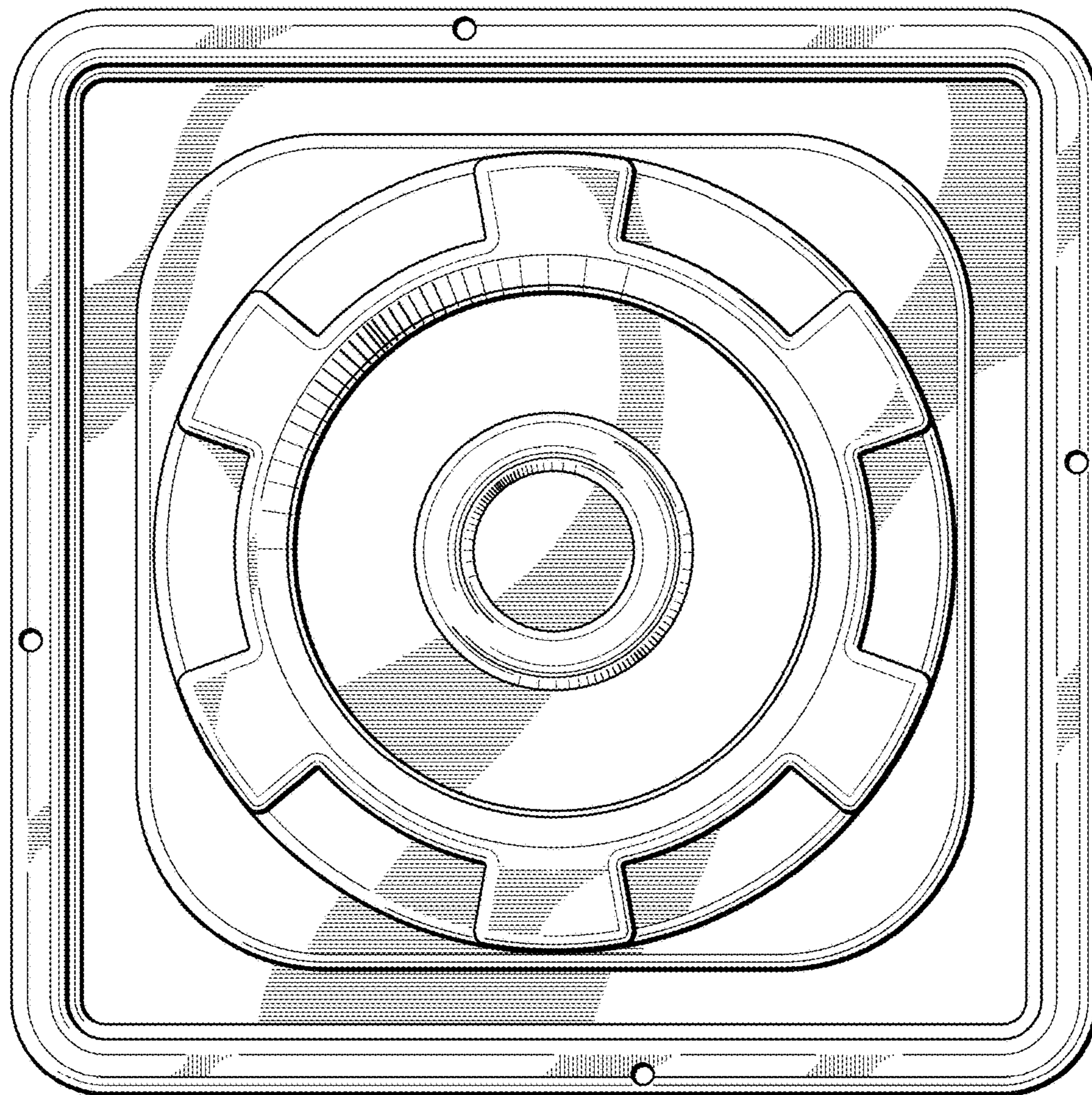


FIG. 10

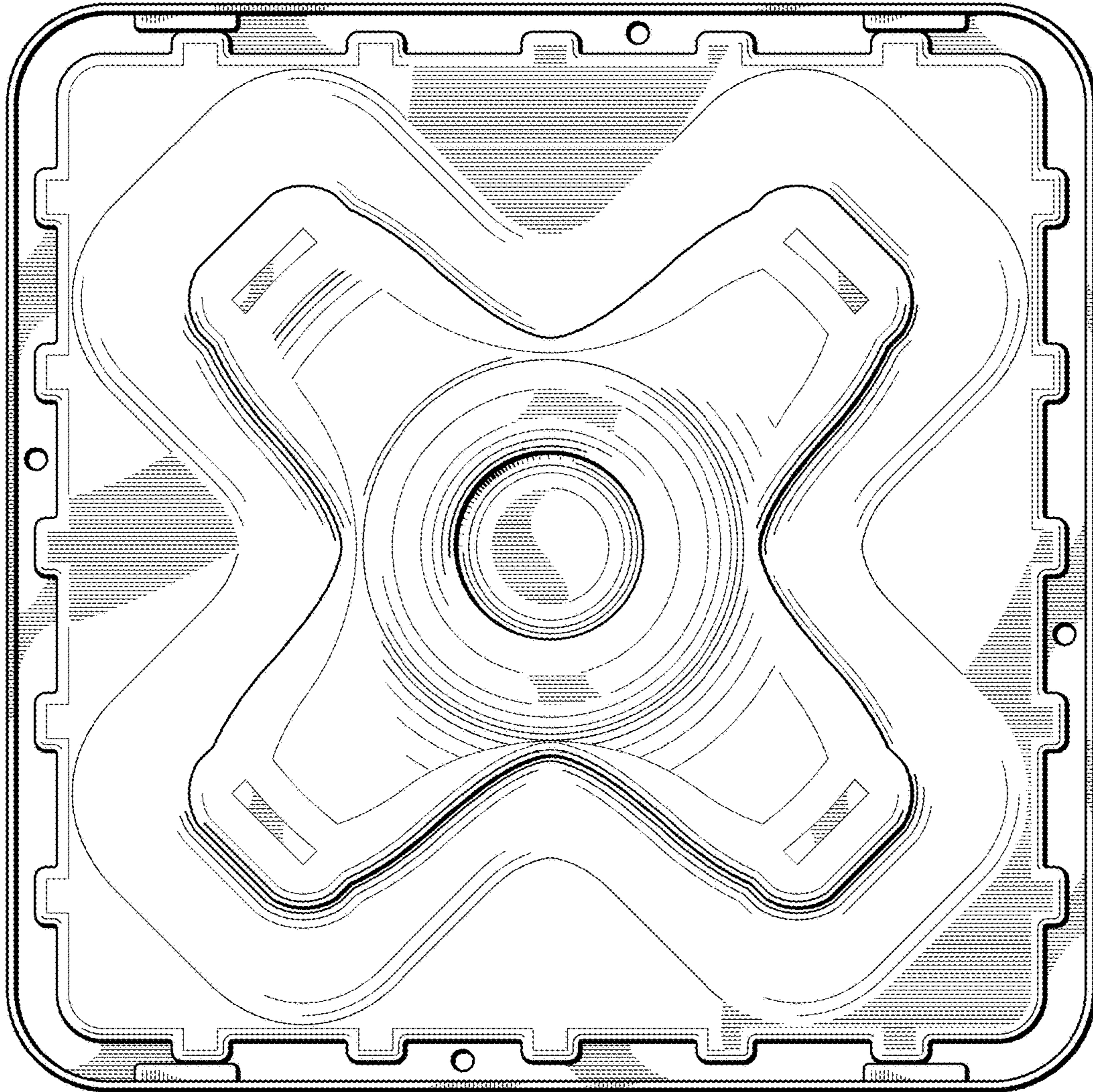


FIG. 11