



US00D812906S

(12) **United States Design Patent**
Rado et al.

(10) **Patent No.:** **US D812,906 S**
(45) **Date of Patent:** **** Mar. 20, 2018**

(54) **CASE FOR SPECTACLES**
(71) Applicant: **BINOPTICS**, Brussels (BE)
(72) Inventors: **Emmanuel Rado**, Grenoble (FR);
Asma Bennani, Grenoble (FR)
(73) Assignee: **BINOPTICS, SOCIETE PRIVEE A**
RESPONSABILITE LIMITEE,
Brussels (BE)

(**) Term: **15 Years**

(21) Appl. No.: **35/500,859**

(22) Filed: **Mar. 29, 2016**

(80) **Hague Agreement Data**
Int. Filing Date: **Mar. 29, 2016**
Int. Reg. No.: **DM/090173**
Int. Reg. Date: **Mar. 29, 2016**
Int. Reg. Pub. Date: **Apr. 22, 2016**

(30) **Foreign Application Priority Data**
Oct. 2, 2015 (EM) 002808030-0001
(51) **LOC (11) Cl.** **03-01**
(52) **U.S. Cl.**
USPC **D3/265**
(58) **Field of Classification Search**
USPC D3/218, 219, 215, 224, 226, 263–266,
D3/230, 233
CPC A45C 11/04
See application file for complete search history.

(56) **References Cited**
U.S. PATENT DOCUMENTS
D29,867 S * 12/1898 Guyer D3/265
D31,352 S * 8/1899 Phelps D3/266

D343,402 S * 1/1994 Scoppettone D3/266
D349,403 S * 8/1994 Cereda D3/266
D645,660 S * 9/2011 Liebers D3/265
D648,528 S * 11/2011 Liebers D3/264
D653,447 S * 2/2012 Graham D3/265
D726,413 S * 4/2015 Shalon D3/265
D729,518 S * 5/2015 Neusidl D3/265
D743,166 S * 11/2015 Pluta D3/266
D743,167 S * 11/2015 Pluta D3/266

* cited by examiner

Primary Examiner — Barbara Fox
Assistant Examiner — Holly E Thurman
(74) *Attorney, Agent, or Firm* — Gottlieb, Rackman &
Reisman, P.C.

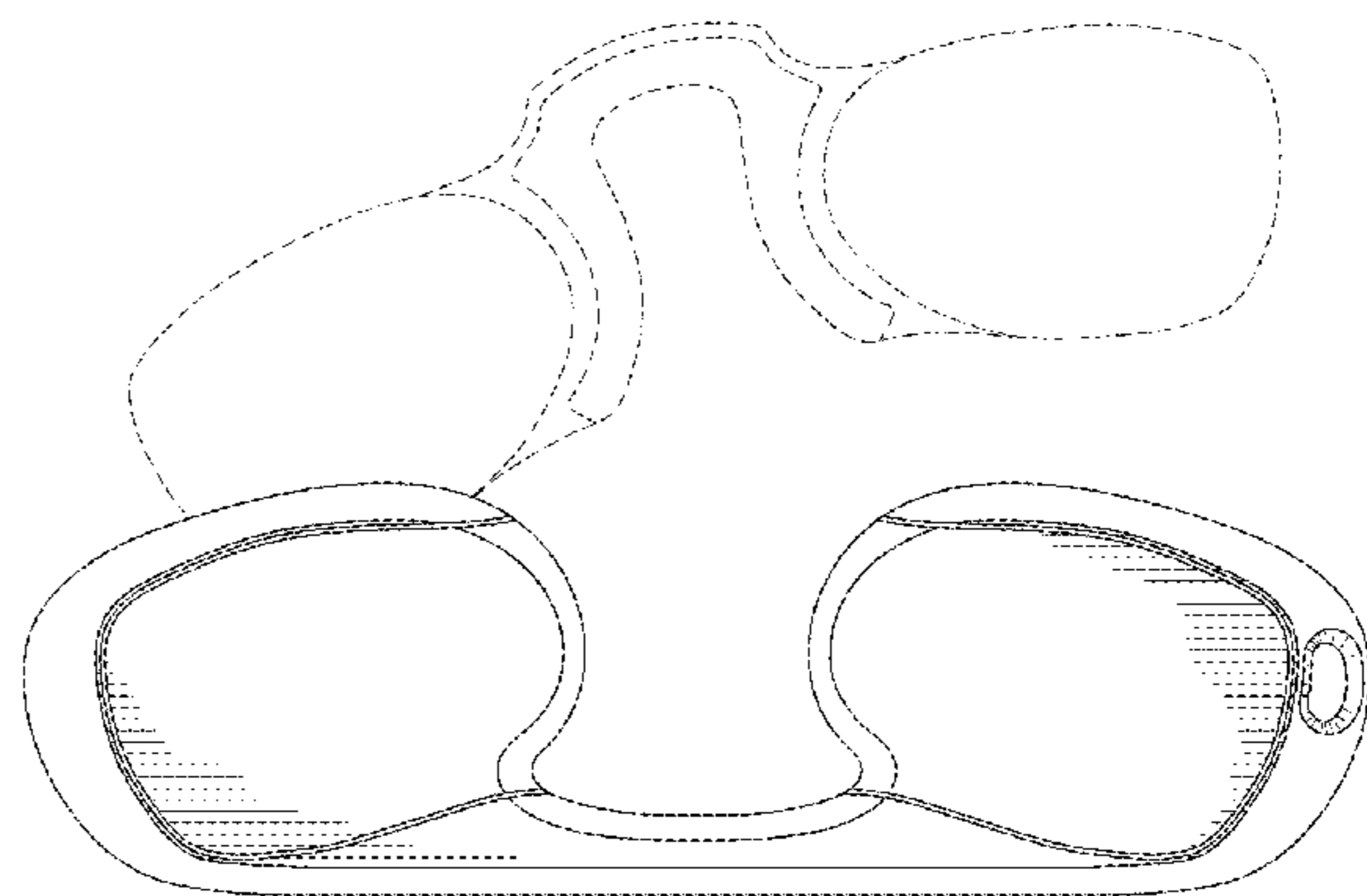
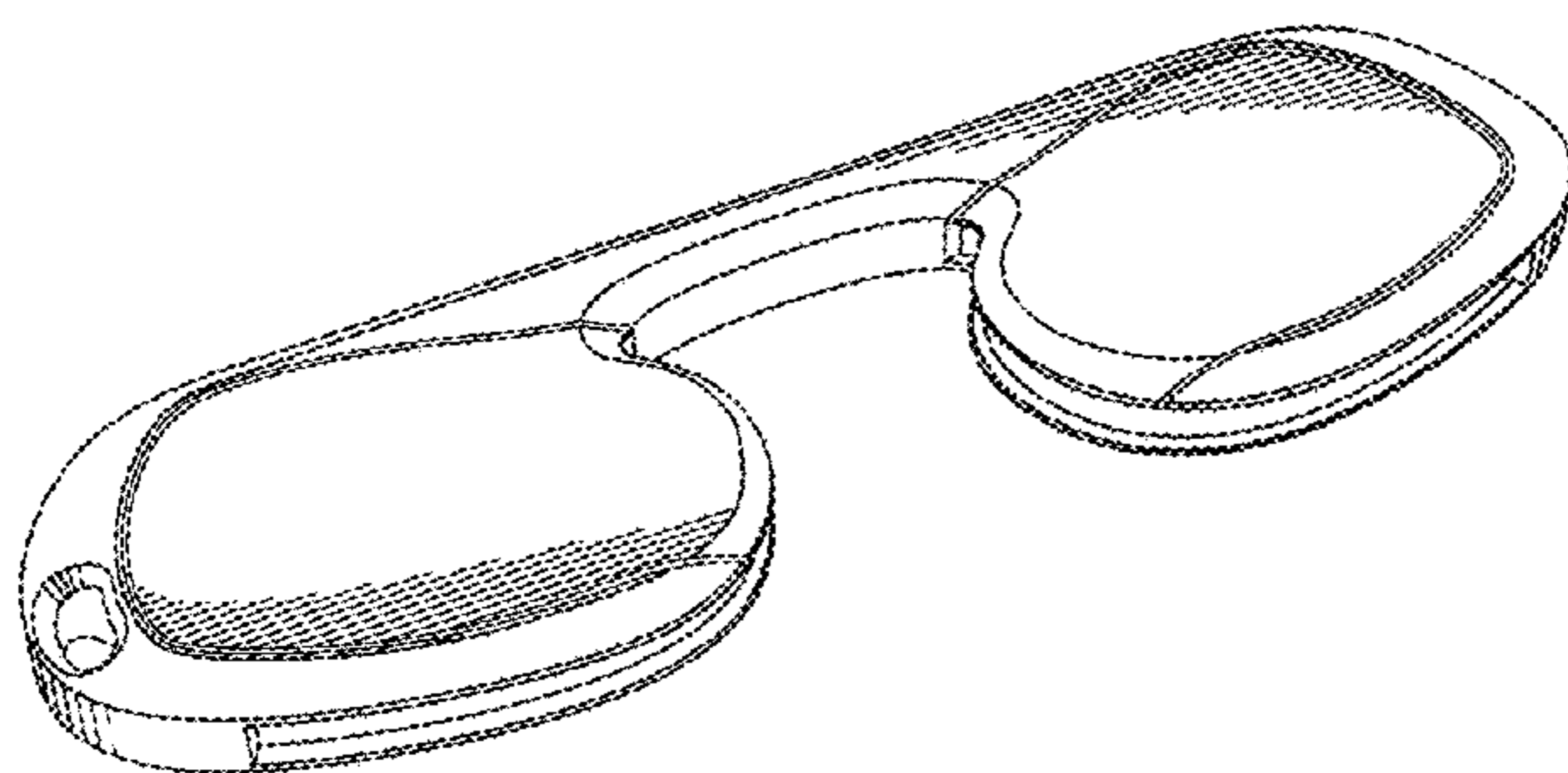
(57) **CLAIM**

The ornamental design for a case for spectacles, as shown and described.

DESCRIPTION

Case for Spectacles
FIG. 1.1 is a first front perspective view of a case for spectacles showing our new design;
FIG. 1.2 is a second front perspective view thereof;
FIG. 1.3 is a third front perspective view thereof;
FIG. 1.4 is a right side elevation view thereof;
FIG. 1.5 is a top plan view thereof;
FIG. 1.6 is a first front elevation view thereof with spectacles being arranged therein; and
FIG. 1.7 is a second front elevation view thereof with spectacles being placed therein.
The broken line showing of the spectacles in Figs. 1.6 and 1.7 depicts environment and shows the case in a condition of use. The broken lines form no part of the claimed design.

1 Claim, 6 Drawing Sheets



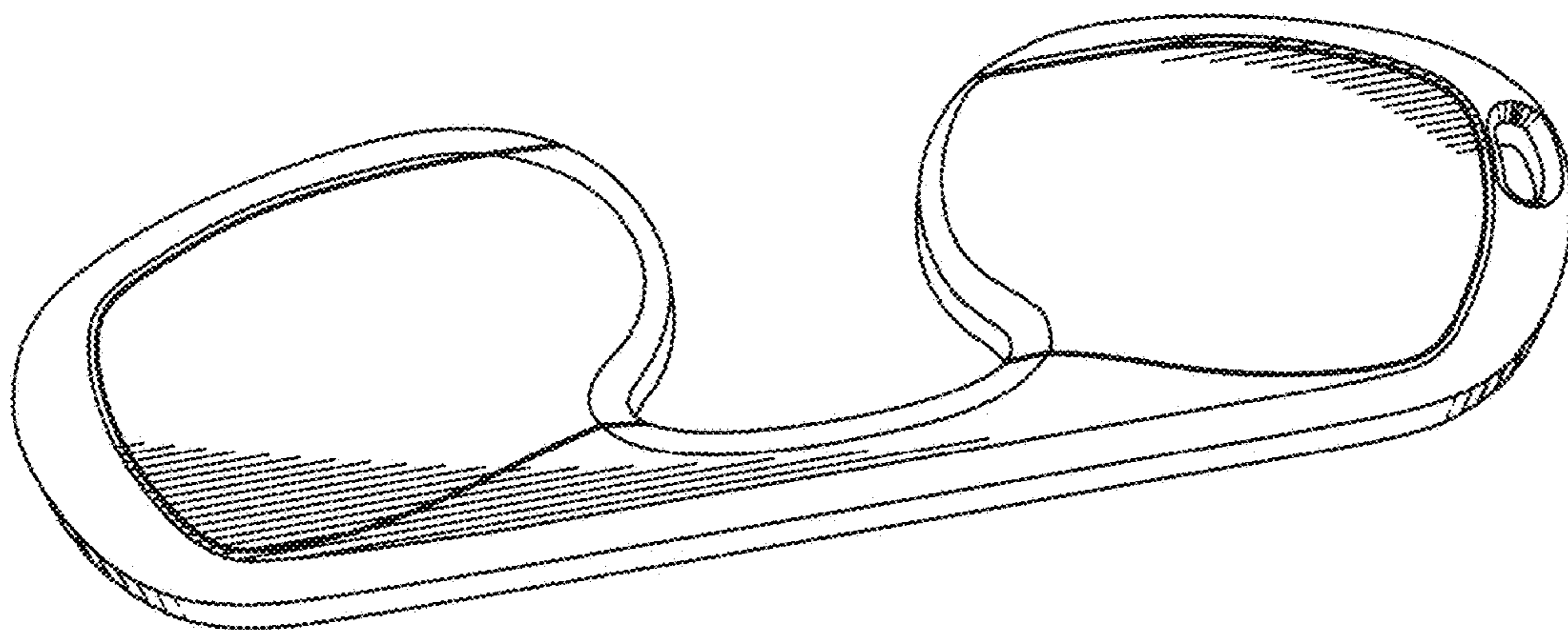


FIG. 1.1

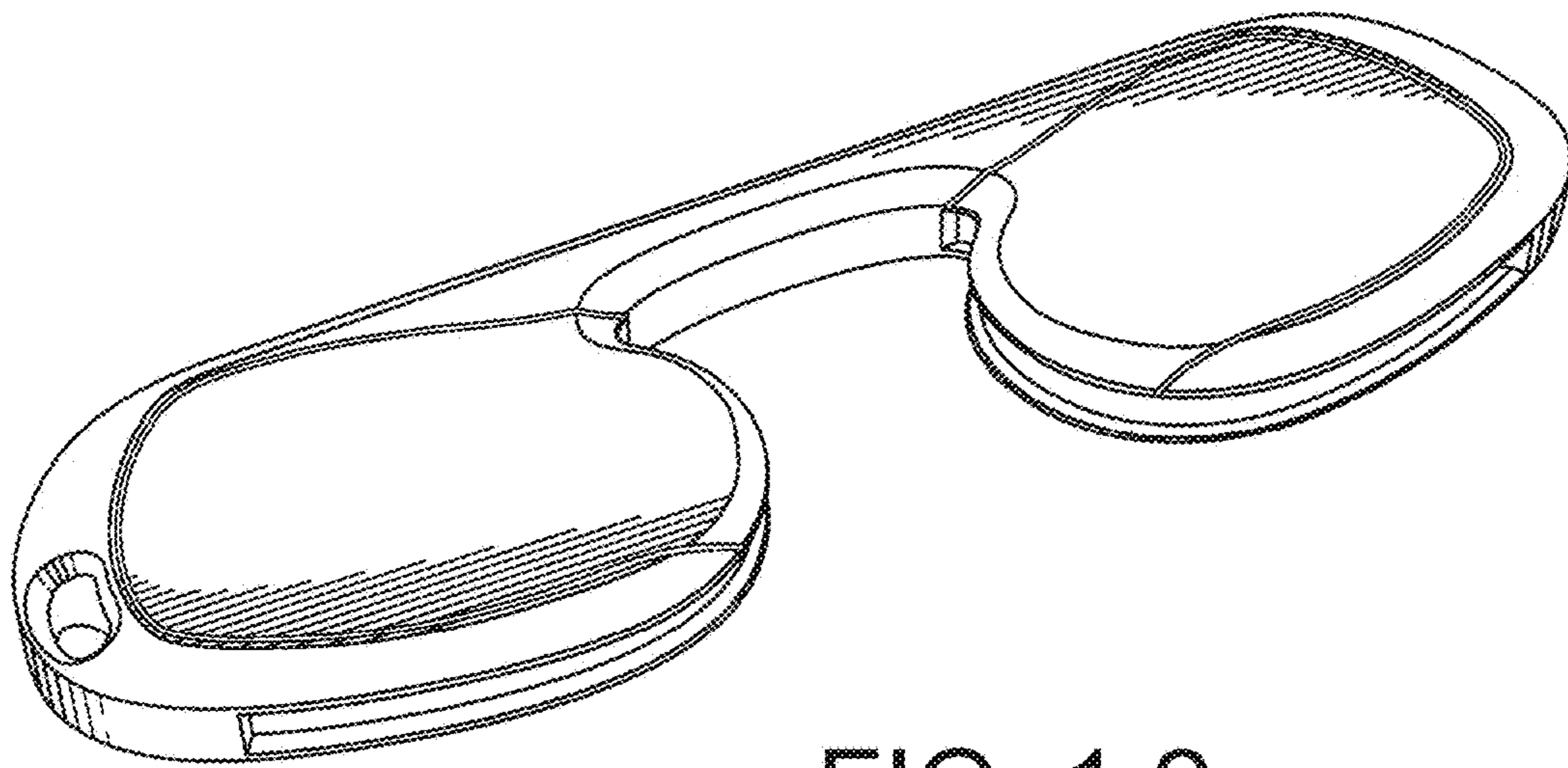


FIG. 1.2

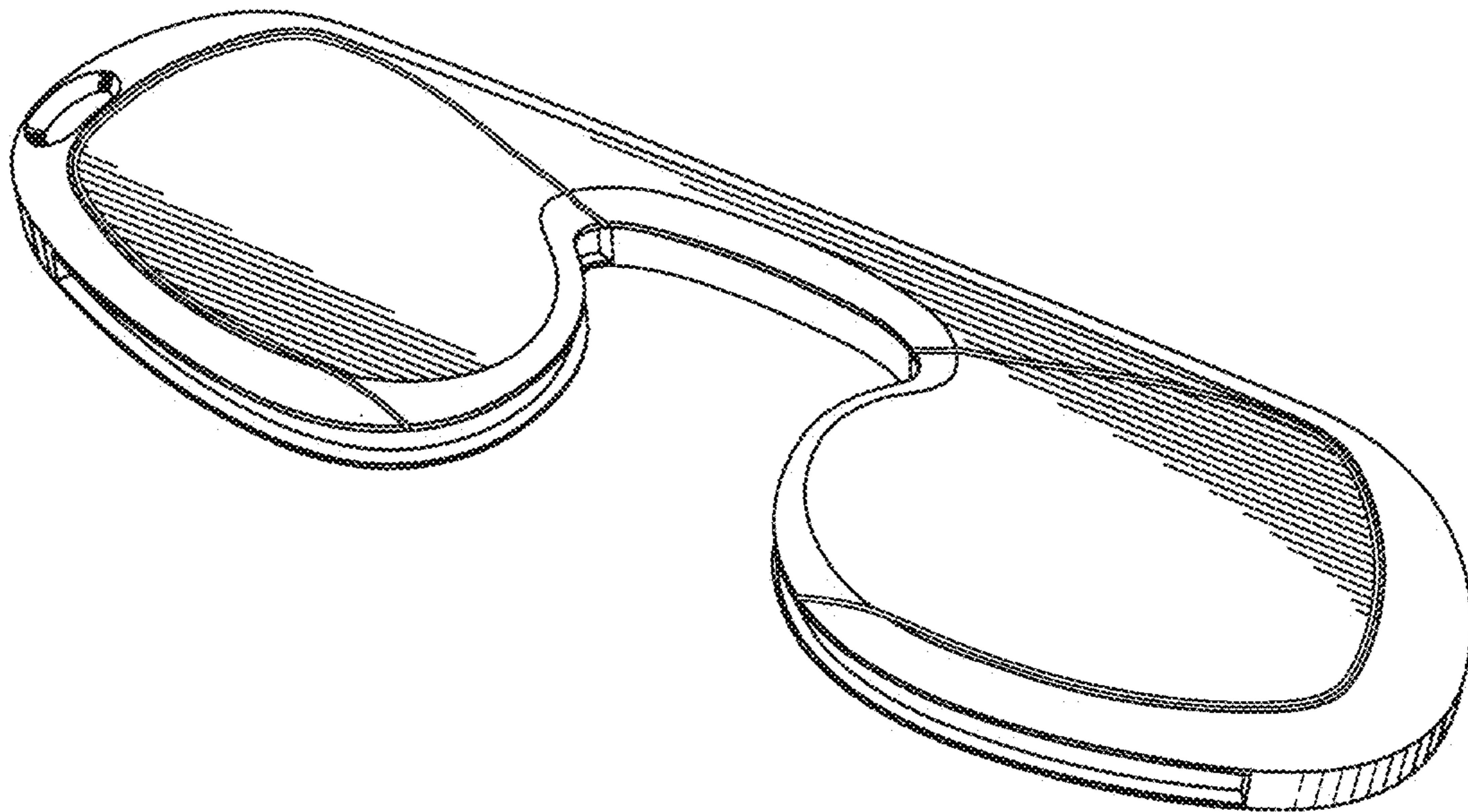


FIG. 1.3



FIG. 1.4

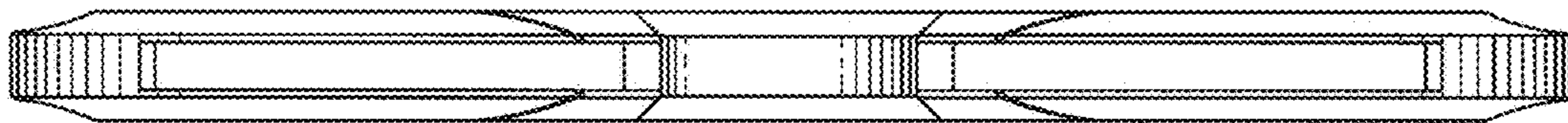


FIG. 1.5

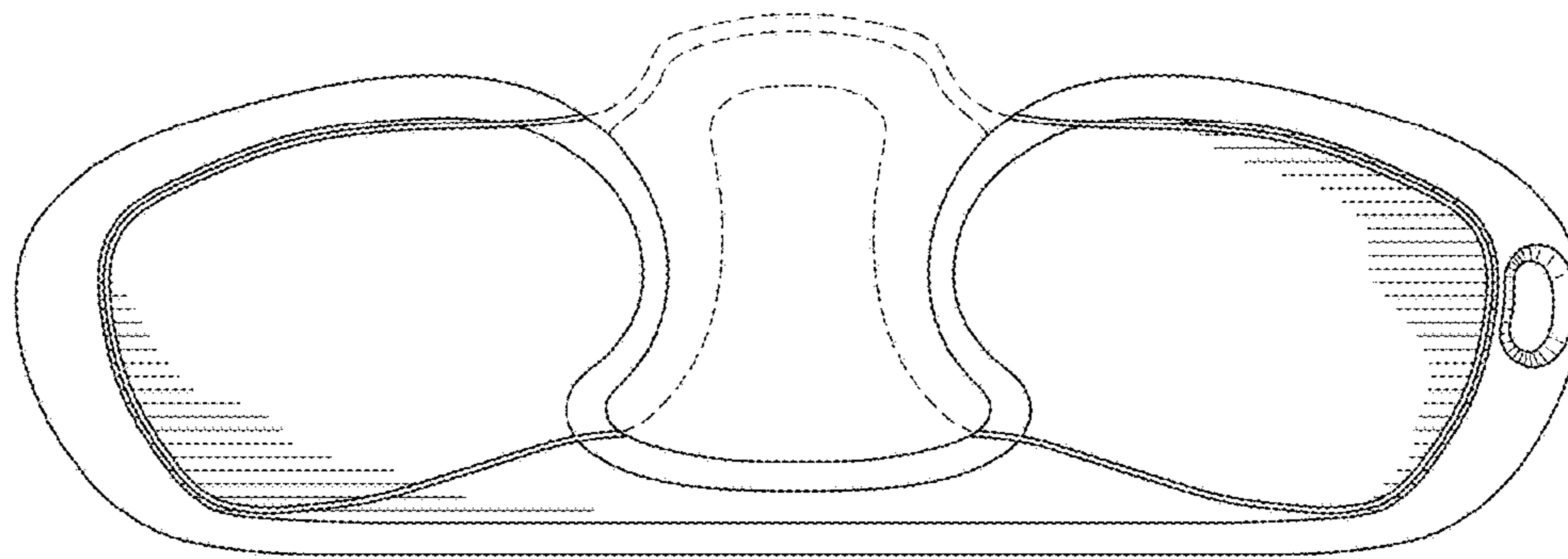


FIG. 1.6

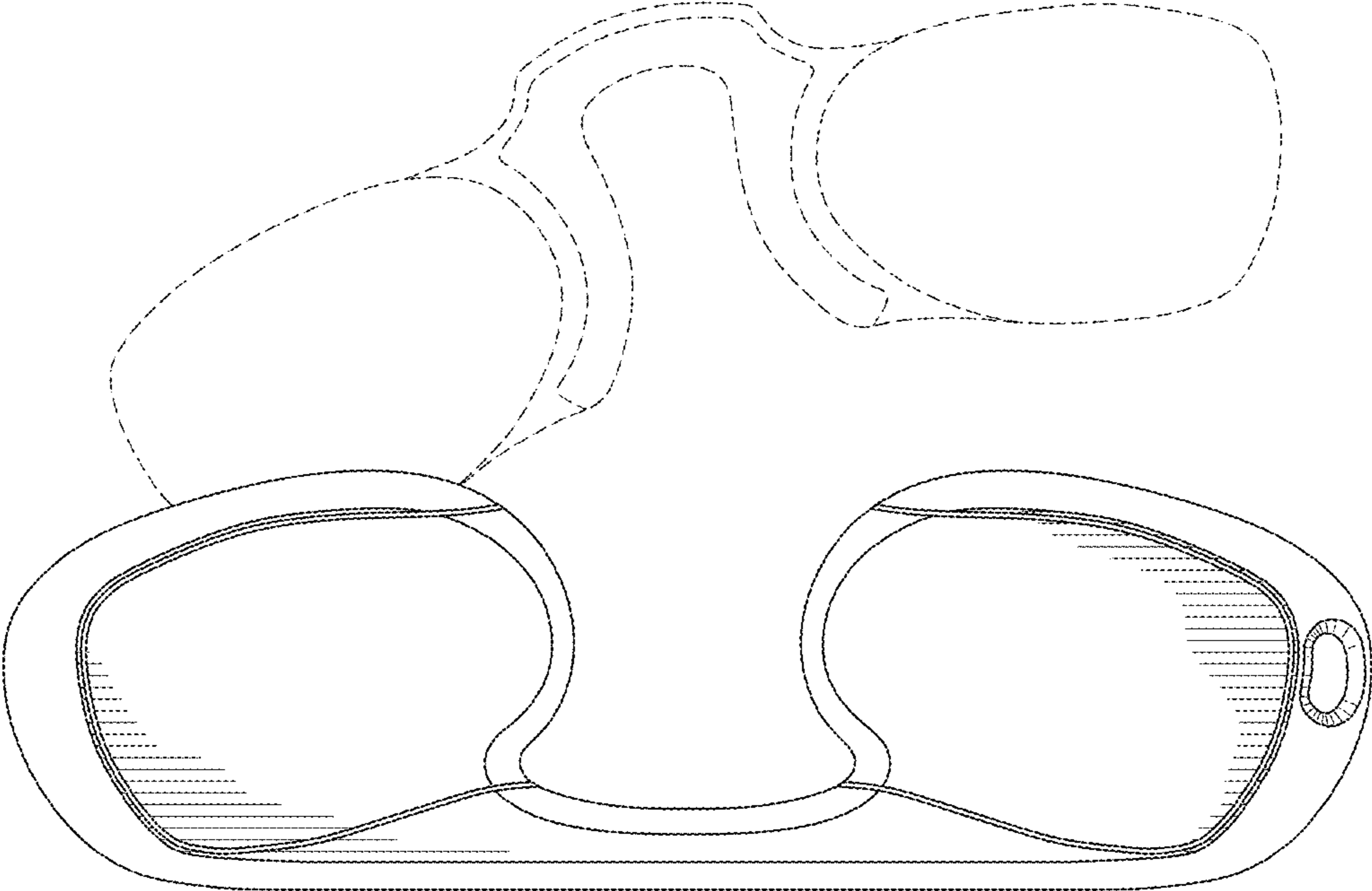


FIG. 1.7