



US00D812905S

(12) **United States Design Patent**
Olsen et al.

(10) **Patent No.:** **US D812,905 S**
(45) **Date of Patent:** **** Mar. 20, 2018**

(54) SURFBOARD GRIPPER	4,699,415 A * 10/1987 Skovajsa A63C 11/025 224/257
(71) Applicant: Aussie Surf Products Co., Limited, Jiangsu (CN)	4,804,025 A 2/1989 Bear 6,309,000 B1 * 10/2001 Pittman B65G 7/12 294/15
(72) Inventors: Martin T. Olsen, Uszhou (CN); Darrell Eric Sue See, Noosa heads (AU)	6,494,513 B2 12/2002 Worthington 6,550,653 B2 4/2003 Matthews 6,857,673 B2 * 2/2005 Lang B63B 35/7946 294/142
(73) Assignee: Aussie Surf Products Co., Limited, Jiangsu (CN)	7,780,211 B2 * 8/2010 Leggett B62D 33/0273 294/26
(**) Term: 15 Years	D640,052 S * 6/2011 Benson D3/254 D648,526 S * 11/2011 Benson D3/221 D657,553 S * 4/2012 Benson D3/221 8,251,421 B1 * 8/2012 Homan A45F 5/10 294/142

(Continued)

(21) Appl. No.: **29/610,982**

(22) Filed: **Jul. 18, 2017**

(30) **Foreign Application Priority Data**

Feb. 22, 2017 (AU) 201711056

(51) **LOC (11) Cl.** **03-01**

(52) **U.S. Cl.**
USPC **D3/254**

(58) **Field of Classification Search**
USPC D3/201, 221, 254, 315, 328; D8/14, 303
CPC B63B 35/7946; A45F 5/10-5/1046; A45F
2005/1006-2005/1093; B65G 7/12
See application file for complete search history.

(56) **References Cited**

U.S. PATENT DOCUMENTS

1,082,446 A * 12/1913 Rodman B65G 7/12 294/26
2,430,142 A * 11/1947 Roberts A45F 5/10 294/15
4,190,278 A * 2/1980 Jancik, Jr. B65G 7/12 294/137
D255,317 S * 6/1980 Slinkard D8/14
D290,926 S * 7/1987 Embra D8/14

Primary Examiner — Mitchell I. Siegel
(74) *Attorney, Agent, or Firm* — Mitchell Law PLLC;
Matthew W. Mitchell

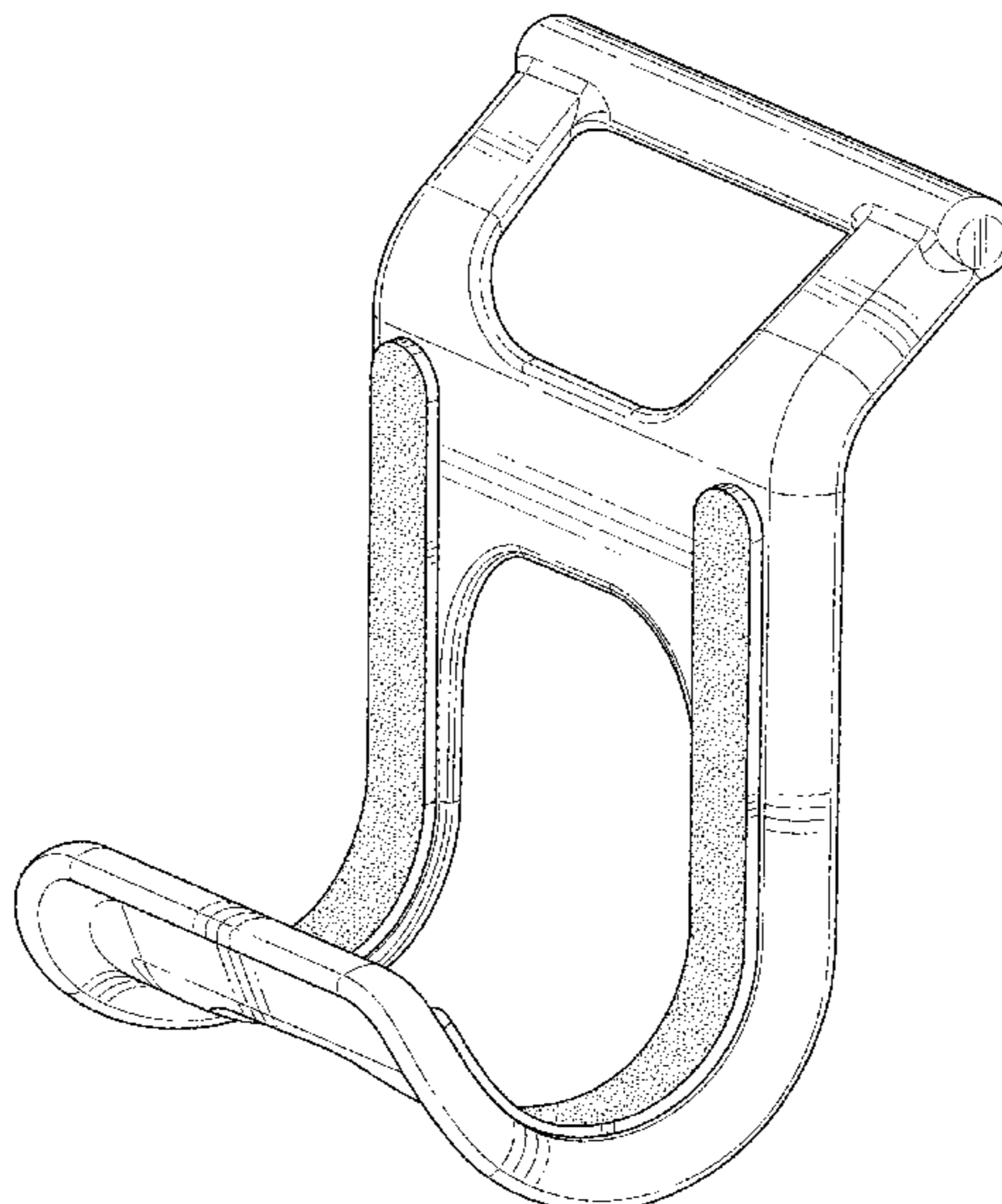
(57) **CLAIM**

The ornamental design for a surfboard gripper, as shown and described.

DESCRIPTION

FIG. 1 is a front perspective view of the surfboard gripper of the present invention;
FIG. 2 is a back perspective view of the invention of FIG. 1;
FIG. 3 is a front view of the invention of FIG. 1;
FIG. 4 is a rear view in elevation of the invention of FIG. 1;
FIG. 5 is a side view of the invention of FIG. 1, as seen from the right side of FIG. 3;
FIG. 6 is a side view of the invention of FIG. 1, as seen from the left side of FIG. 3;
FIG. 7 is a top plan view of the invention of FIG. 1; and,
FIG. 8 is a bottom plan view of the invention of FIG. 1.
The stipple pattern on the claimed design represents foam pads.

1 Claim, 8 Drawing Sheets



(56)

References Cited

U.S. PATENT DOCUMENTS

D703,950 S *	5/2014	Vitale	D3/254
D758,072 S	6/2016	Chase	
2004/0056060 A1	3/2004	Lannini	
2005/0184118 A1 *	8/2005	Vella	A45F 3/02 224/625
2008/0057805 A1	3/2008	Alexander	
2010/0187274 A1 *	7/2010	Chock, Jr.	B63B 35/7946 224/578

* cited by examiner

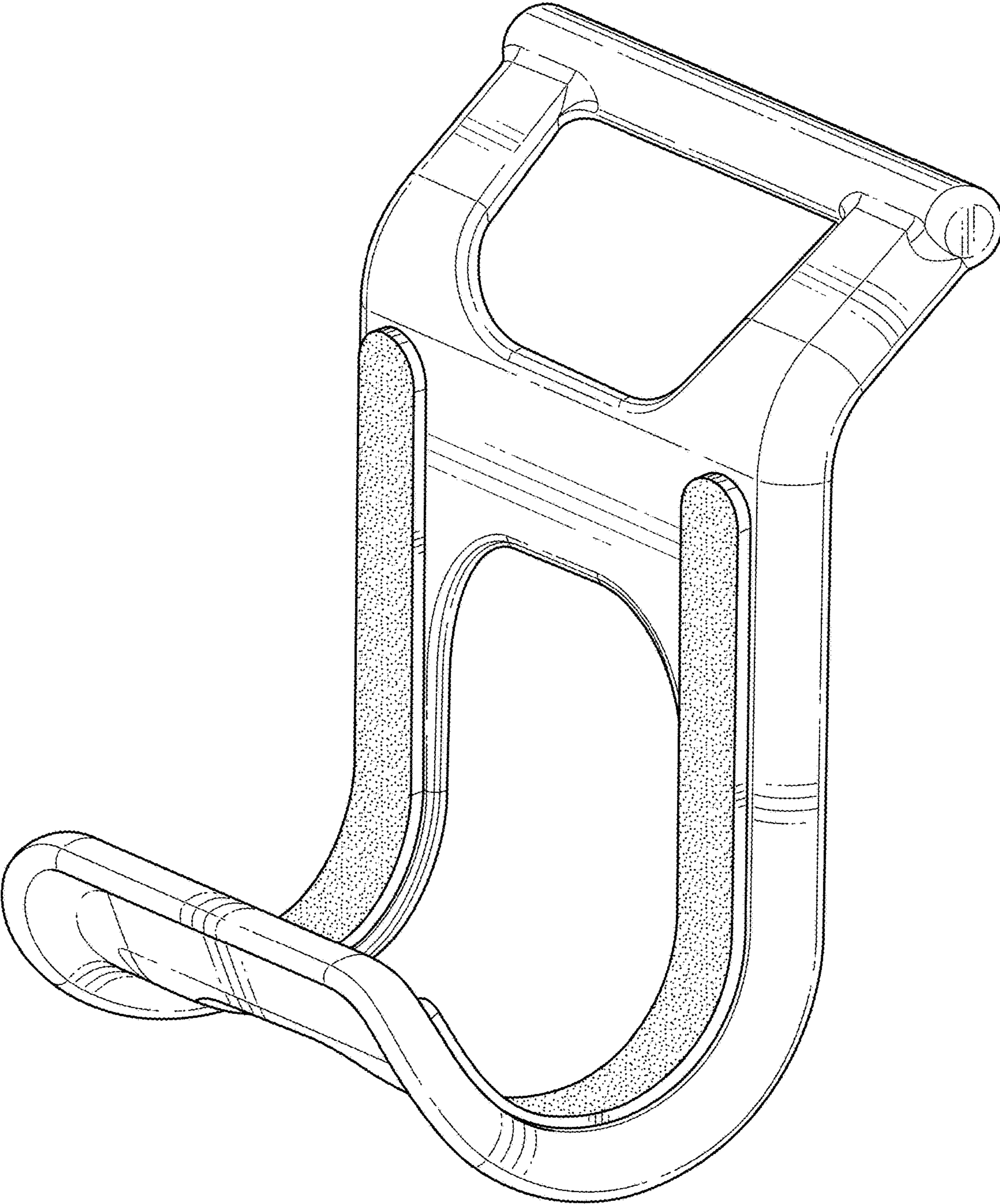


FIG. 1

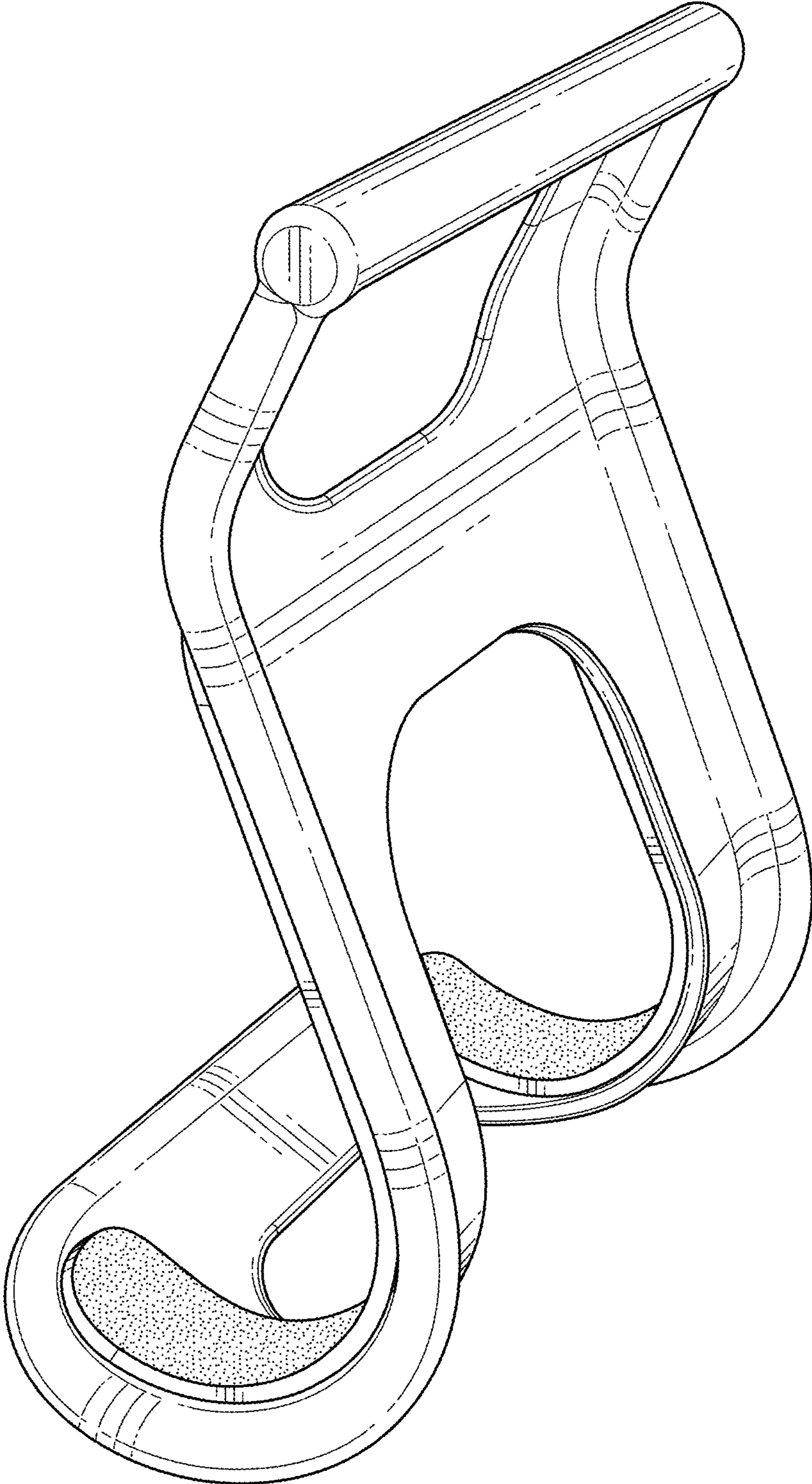


FIG. 2

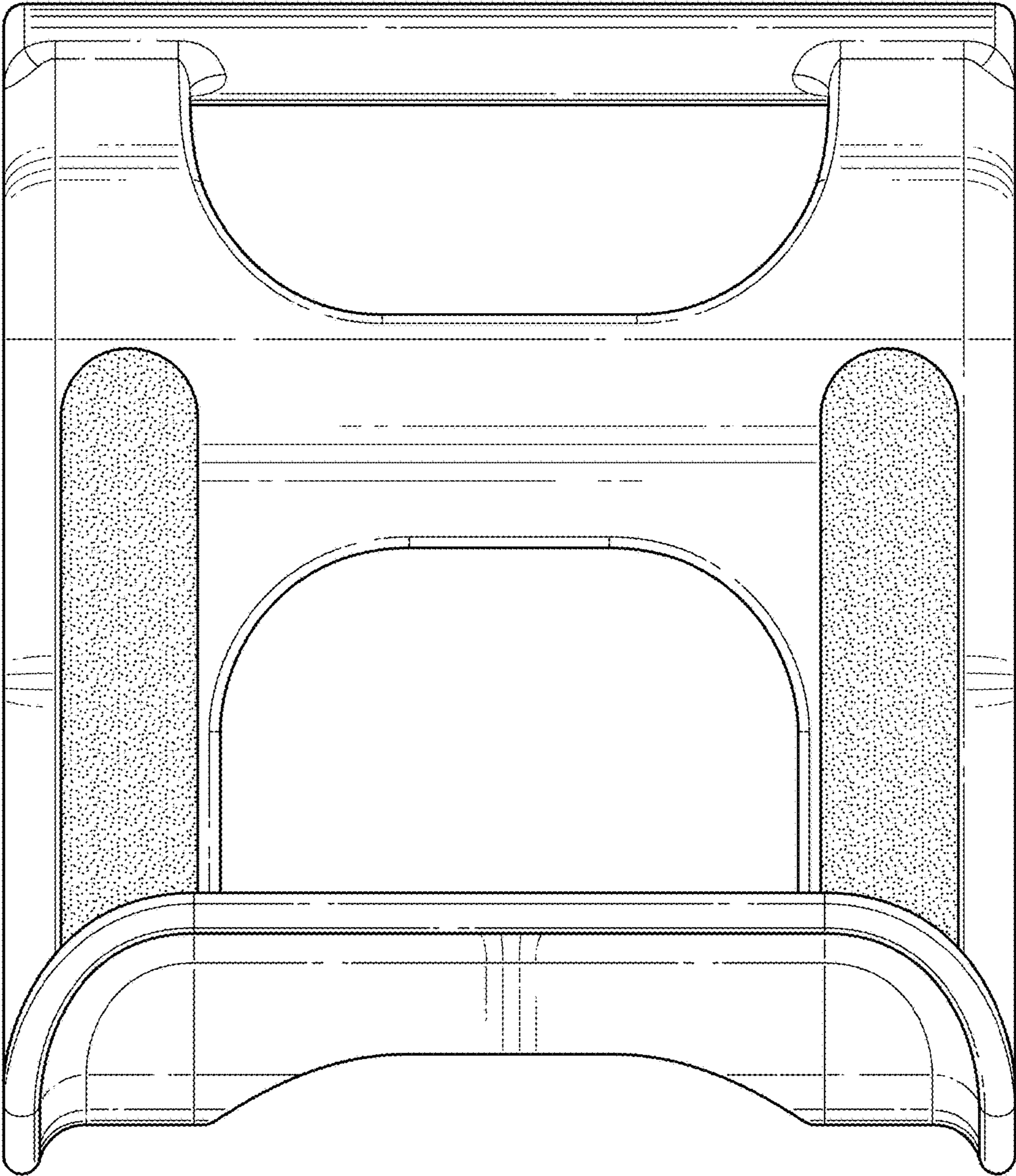


FIG. 3

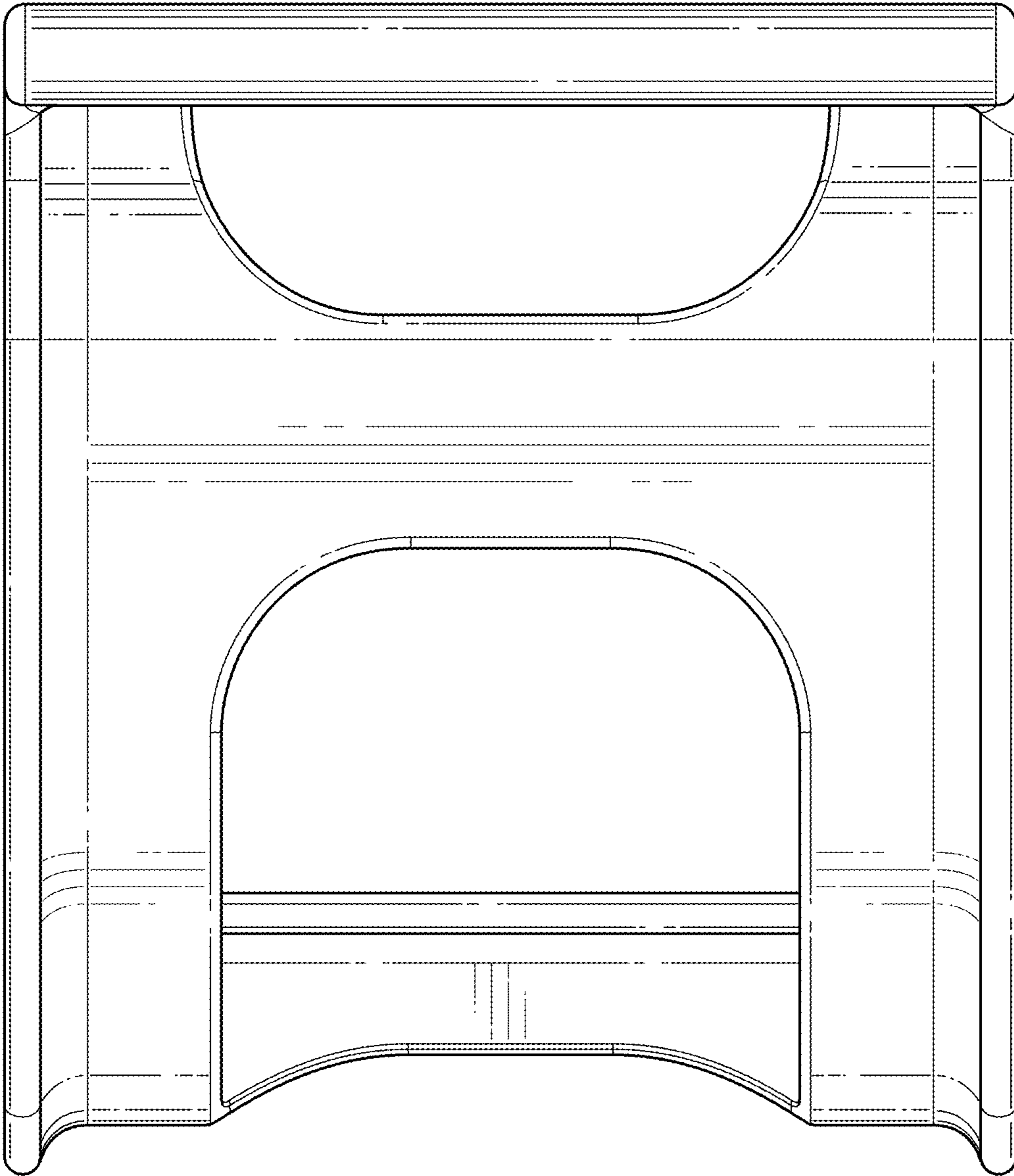


FIG. 4

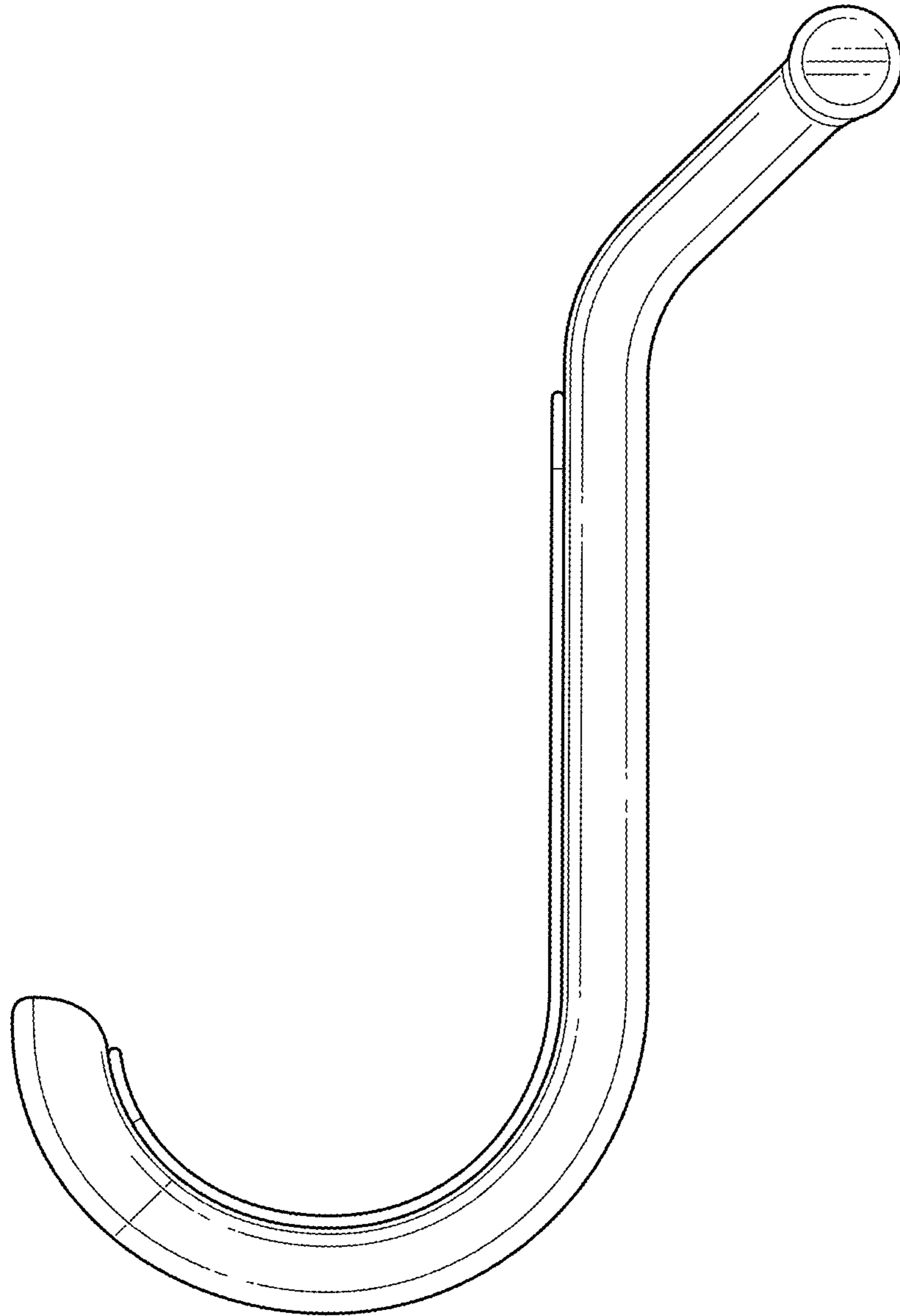


FIG. 5

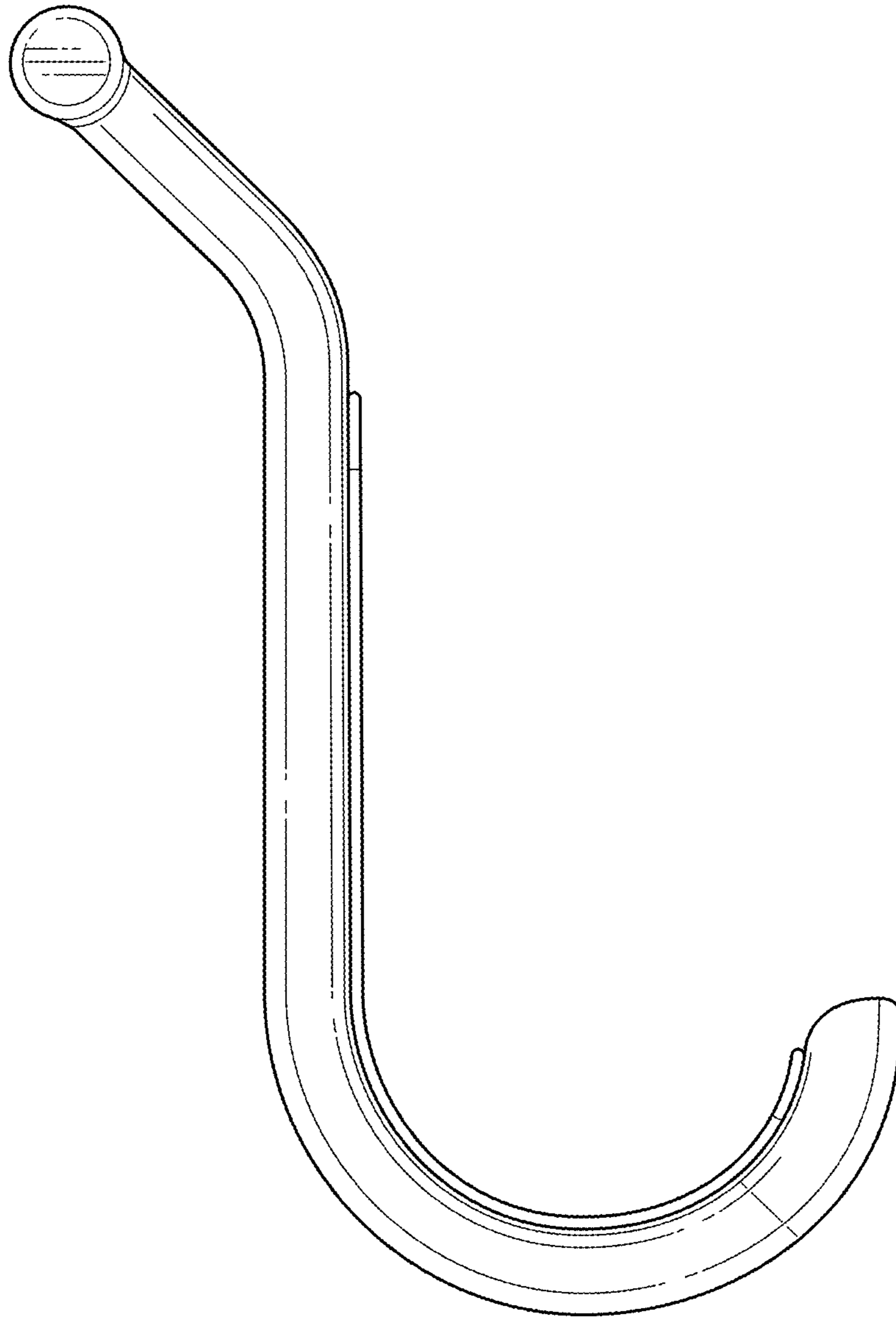


FIG. 6

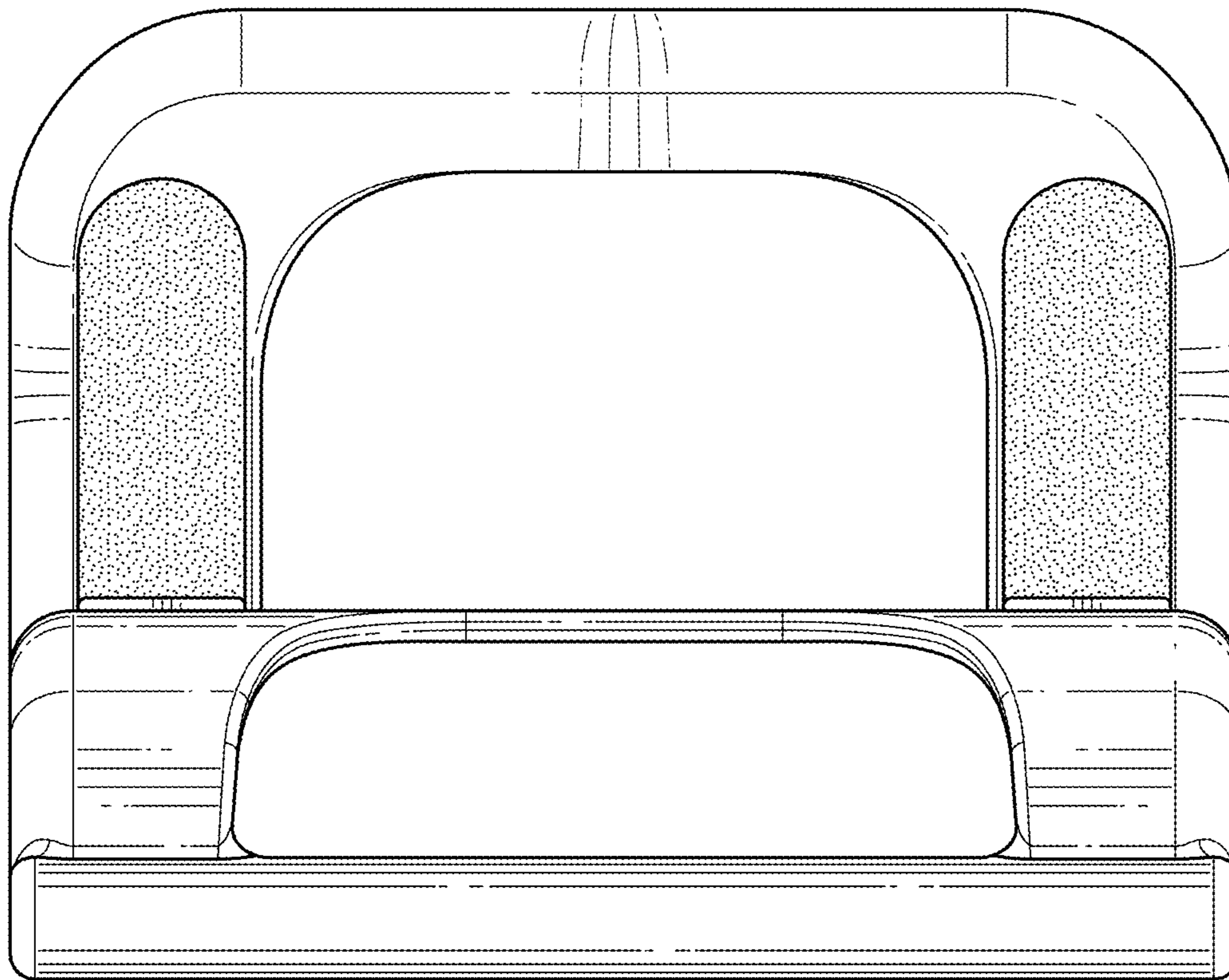


FIG. 7

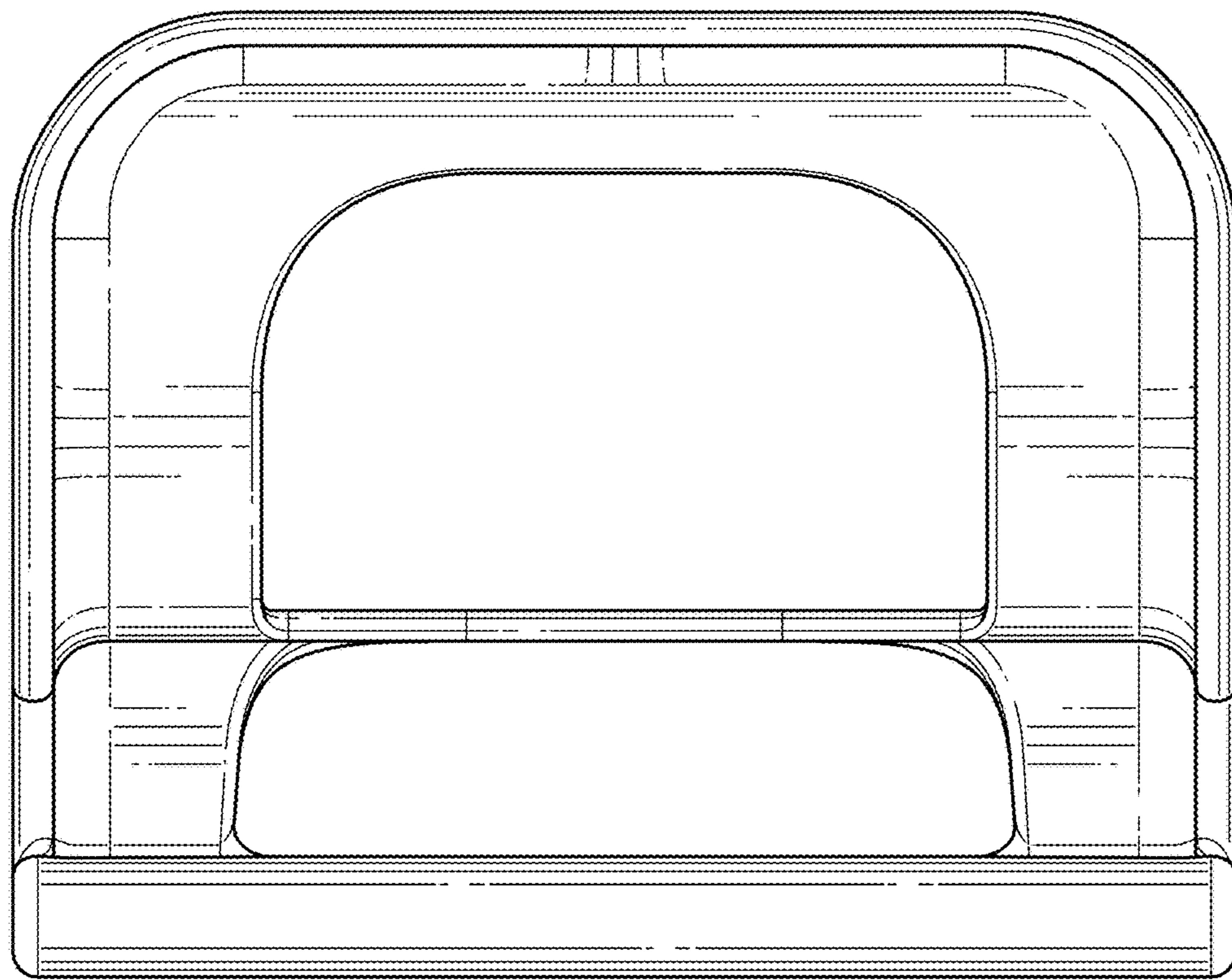


FIG. 8