



US00D812904S

(12) **United States Design Patent** (10) **Patent No.:** **US D812,904 S**
Nair (45) **Date of Patent:** **** Mar. 20, 2018**

(54) **HANDBAG**
(71) Applicant: **MOYNAT PARIS SAS**, Paris (FR)
(72) Inventor: **Ramesh Nair**, Paris (FR)
(73) Assignee: **MOYNAT PARIS SAS**, Paris (FR)
(**) Term: **15 Years**
(21) Appl. No.: **29/573,604**
(22) Filed: **Aug. 8, 2016**
(51) **LOC (11) Cl.** **03-01**
(52) **U.S. Cl.**
USPC **D3/243**
(58) **Field of Classification Search**
USPC D3/201, 205, 206, 226, 231-247, 258,
D3/273, 299, 301, 303, 318, 901, 903;
D12/409
CPC A45C 13/02; A45C 13/04; A45C 13/06;
A45C 13/08; A45C 13/26; A45C 1/024;
A45C 7/0077; A45C 3/04; A45C 3/06
See application file for complete search history.

(56) **References Cited**
U.S. PATENT DOCUMENTS
1,548,499 A * 8/1925 White A45C 3/06
150/106
2,658,543 A * 11/1953 Budnick A45C 3/06
150/118
D504,229 S * 4/2005 Duvigneau D3/243
D626,331 S * 11/2010 Guyon D3/243
D690,506 S * 10/2013 Kuster D3/232
D695,517 S * 12/2013 Sassi D3/243
D696,018 S * 12/2013 Sassi D3/318

(Continued)

OTHER PUBLICATIONS

Purseblog, Check out 50+ Photos of Celine's Gorgeous Spring 2016 Bag, posted on Jan. 13, 2016, [online], [site visited on Jul. 27,

2017]. Available from Internet, URL: <http://www.purseblog.com/celine/celine-spring-2016-bag-prices-photos/>.*

(Continued)

Primary Examiner — Sheryl Lane
Assistant Examiner — Samantha Wood
(74) *Attorney, Agent, or Firm* — Avery N. Goldstein;
Blue Filament Law PLLC

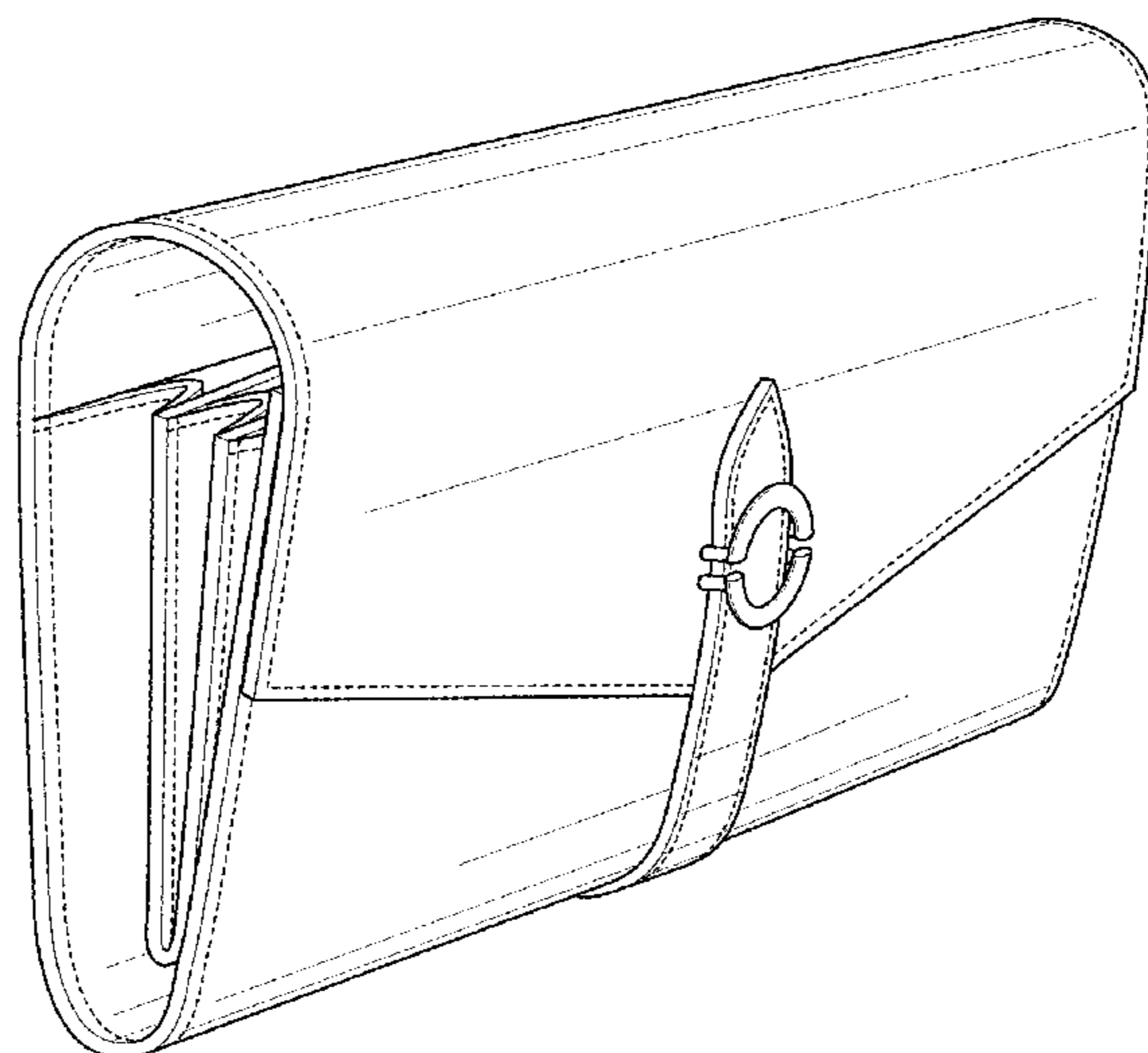
(57) **CLAIM**

The ornamental design for a handbag, as shown and described.

DESCRIPTION

FIG. 1 is a first perspective view of a handbag showing my new design;
FIG. 2 is a first front view thereof;
FIG. 3 is first back view thereof;
FIG. 4 is a top view thereof;
FIG. 5 is a bottom view thereof;
FIG. 6 is a first right side view thereof;
FIG. 7 is a first left side view thereof;
FIG. 8 is a second perspective view thereof;
FIG. 9 is a third perspective view thereof;
FIG. 10 is a fourth perspective view thereof, with a strap shown;
FIG. 11 is a second front view thereof, with a strap shown;
FIG. 12 is a second back view thereof, with a strap shown;
FIG. 13 is a second right side view thereof, with a strap shown;
FIG. 14 is a second left side view thereof, with a strap shown;
FIG. 15. is a fifth perspective view thereof, with a strap shown; and,
FIG. 16. is a sixth perspective view thereof, with a strap shown.
The broken lines represent stitching and are part of the claimed design.

1 Claim, 11 Drawing Sheets



(56)

References Cited

U.S. PATENT DOCUMENTS

D698,148 S *	1/2014	Sassi	D3/247
D708,841 S *	7/2014	Hebert	D3/205
D708,842 S *	7/2014	Hebert	D3/205
D723,272 S *	3/2015	Basha	D3/243
D730,645 S *	6/2015	Slimane	D3/243
D749,850 S *	2/2016	Kuster	D3/318
D758,721 S *	6/2016	Maniez De La Hennerie	D3/243
D770,766 S *	11/2016	Slimane	D3/243
D787,820 S *	5/2017	Nair	D3/243

OTHER PUBLICATIONS

Comma chic, DIY: Turn your clutch into a crossbody, posted on Aug. 28, 2010, [online], [site visited on Aug. 3, 2017]. Available from Internet, URL: <http://commachic.com/turn-your-clutch-into-a-crossbody/>.*

* cited by examiner

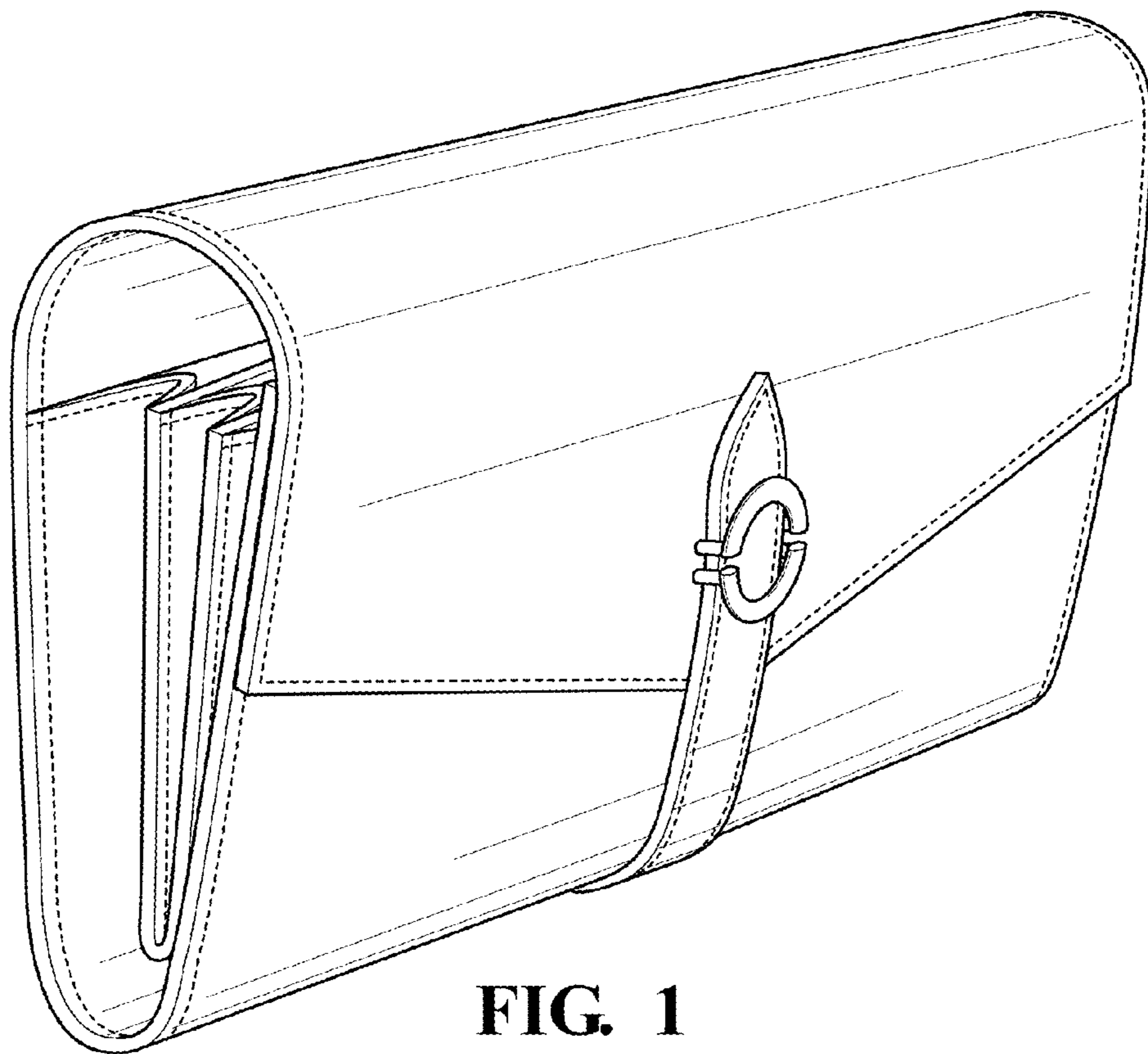


FIG. 1

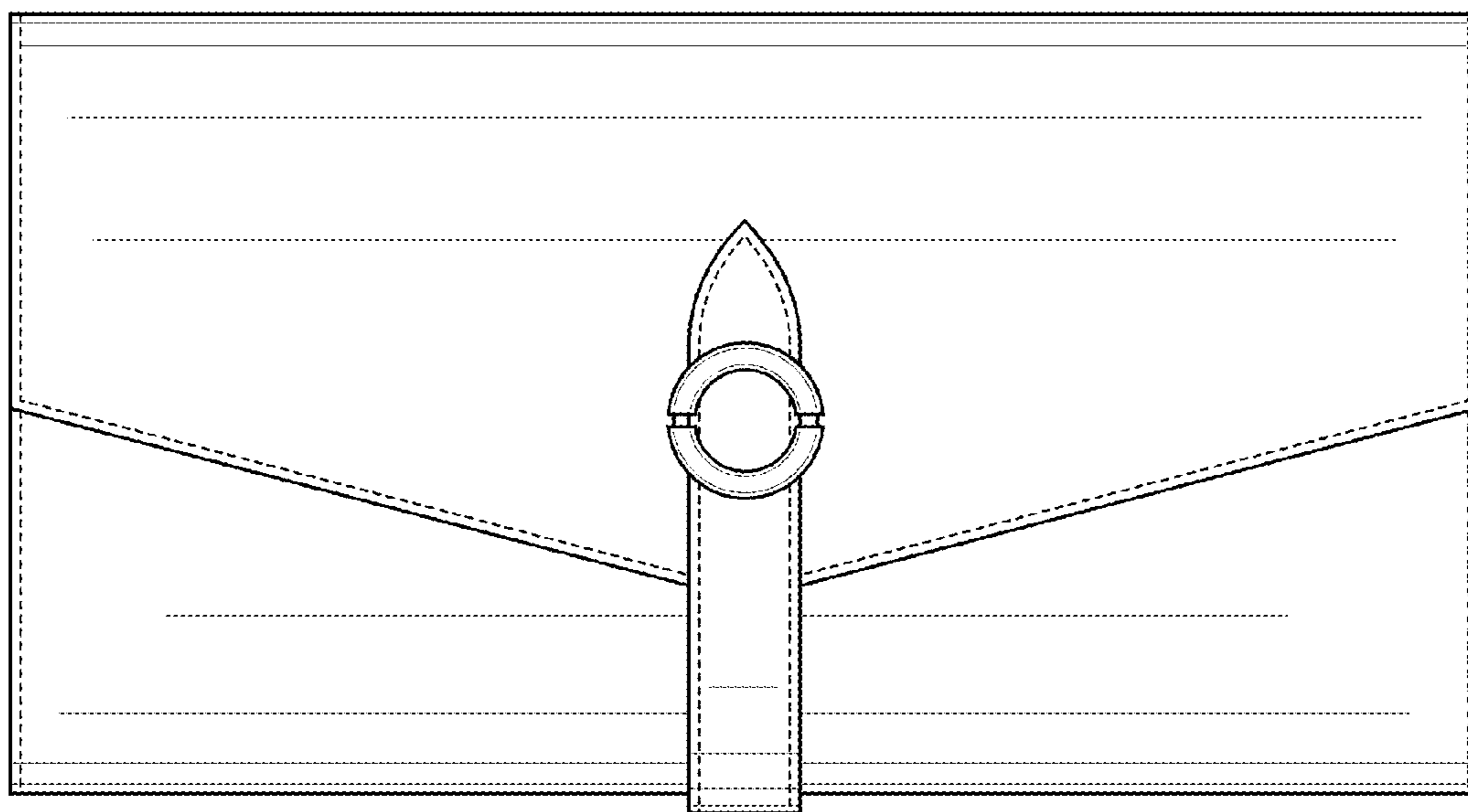


FIG. 2

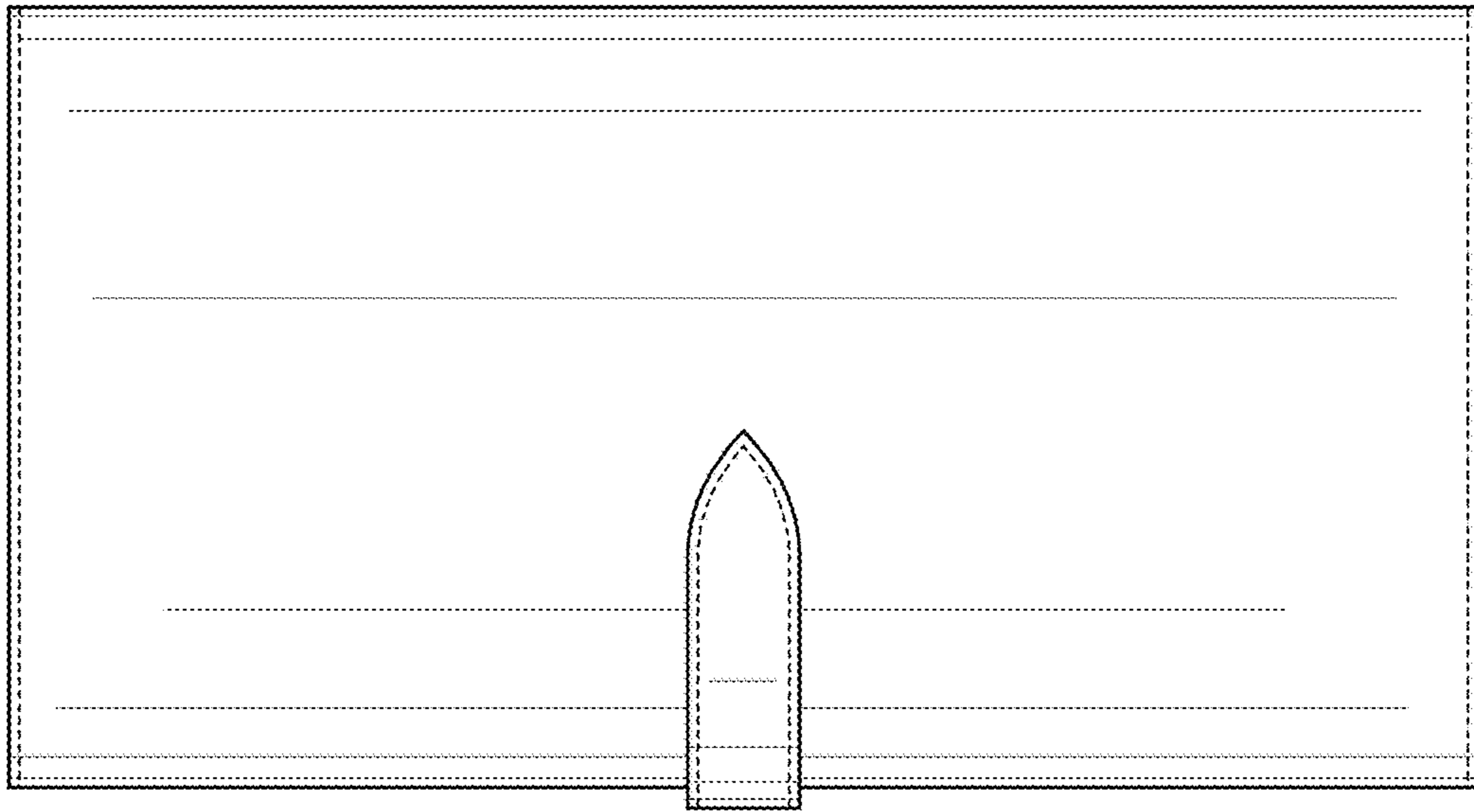


FIG. 3

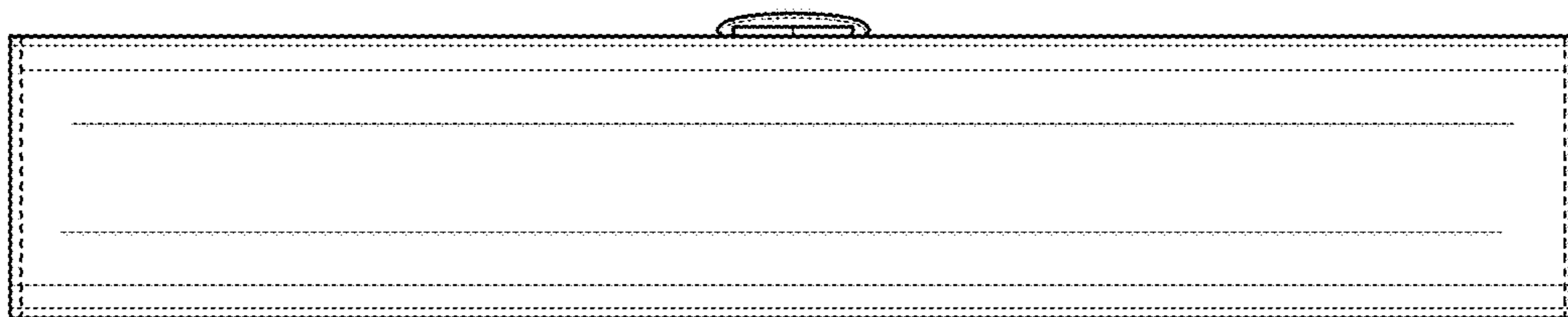


FIG. 4

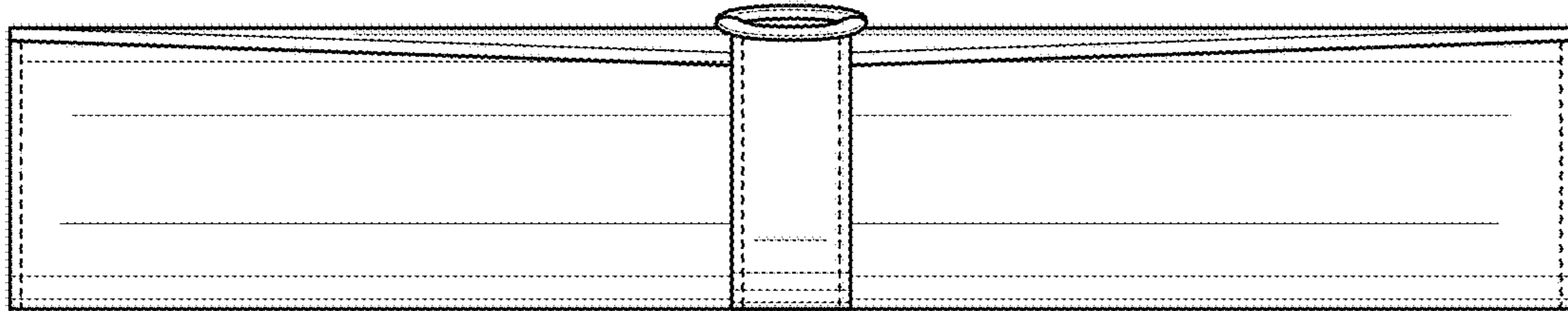


FIG. 5

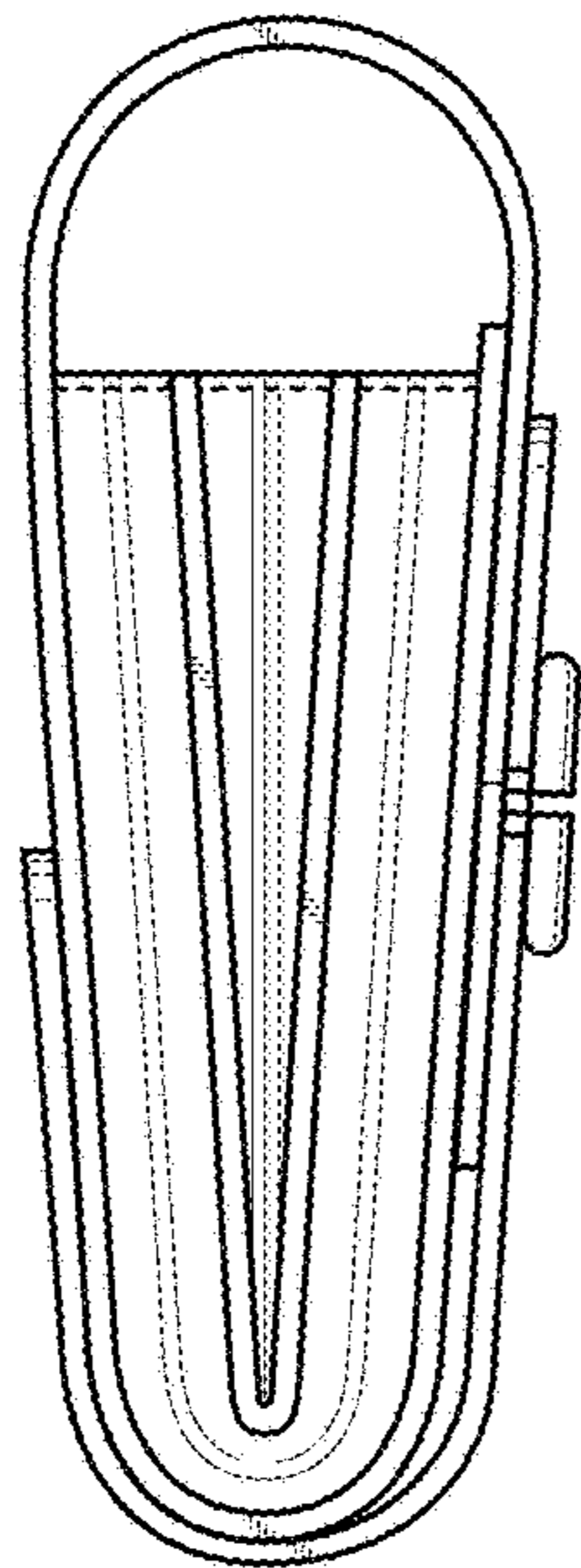


FIG. 6

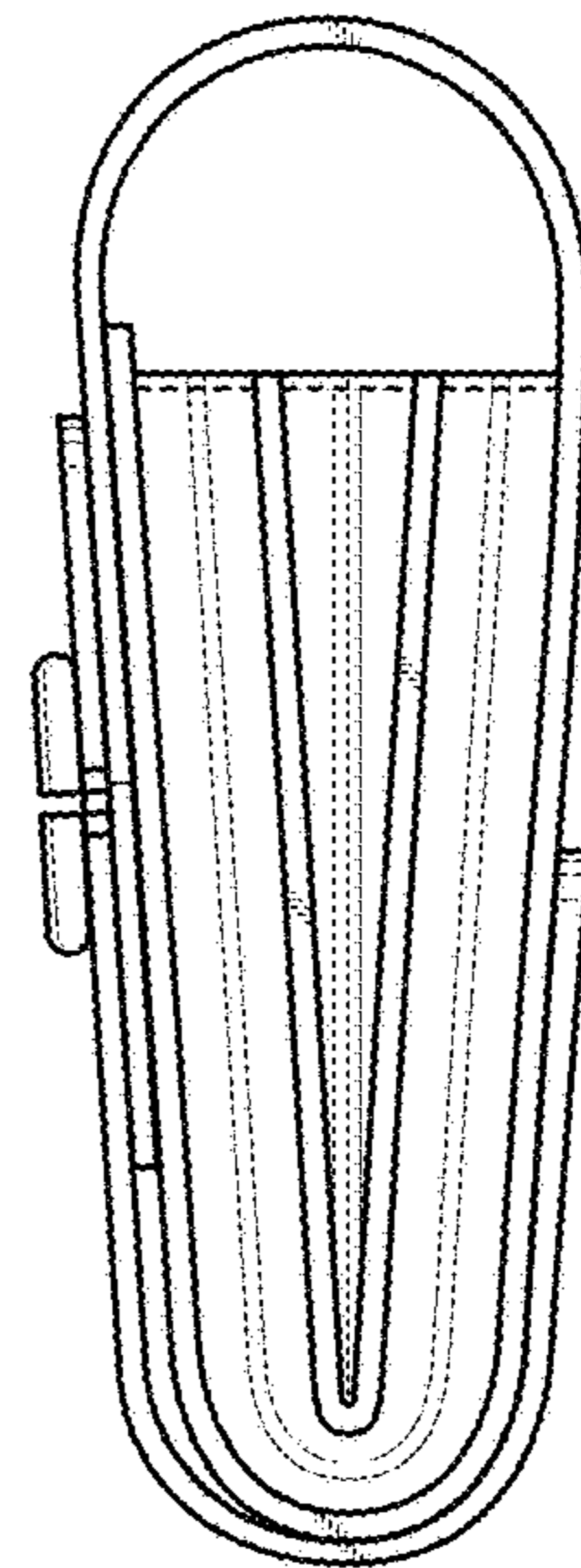


FIG. 7

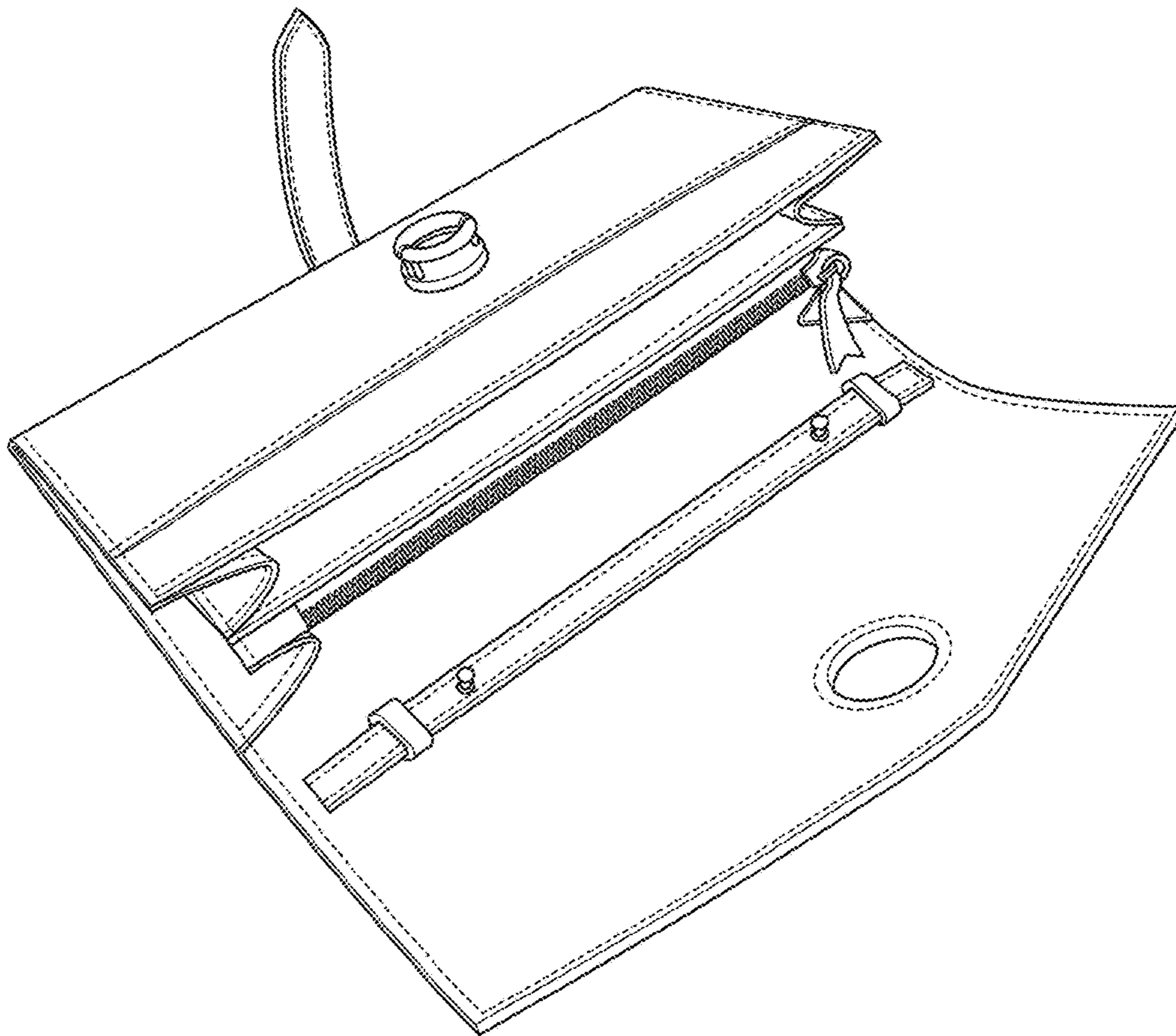


FIG. 8

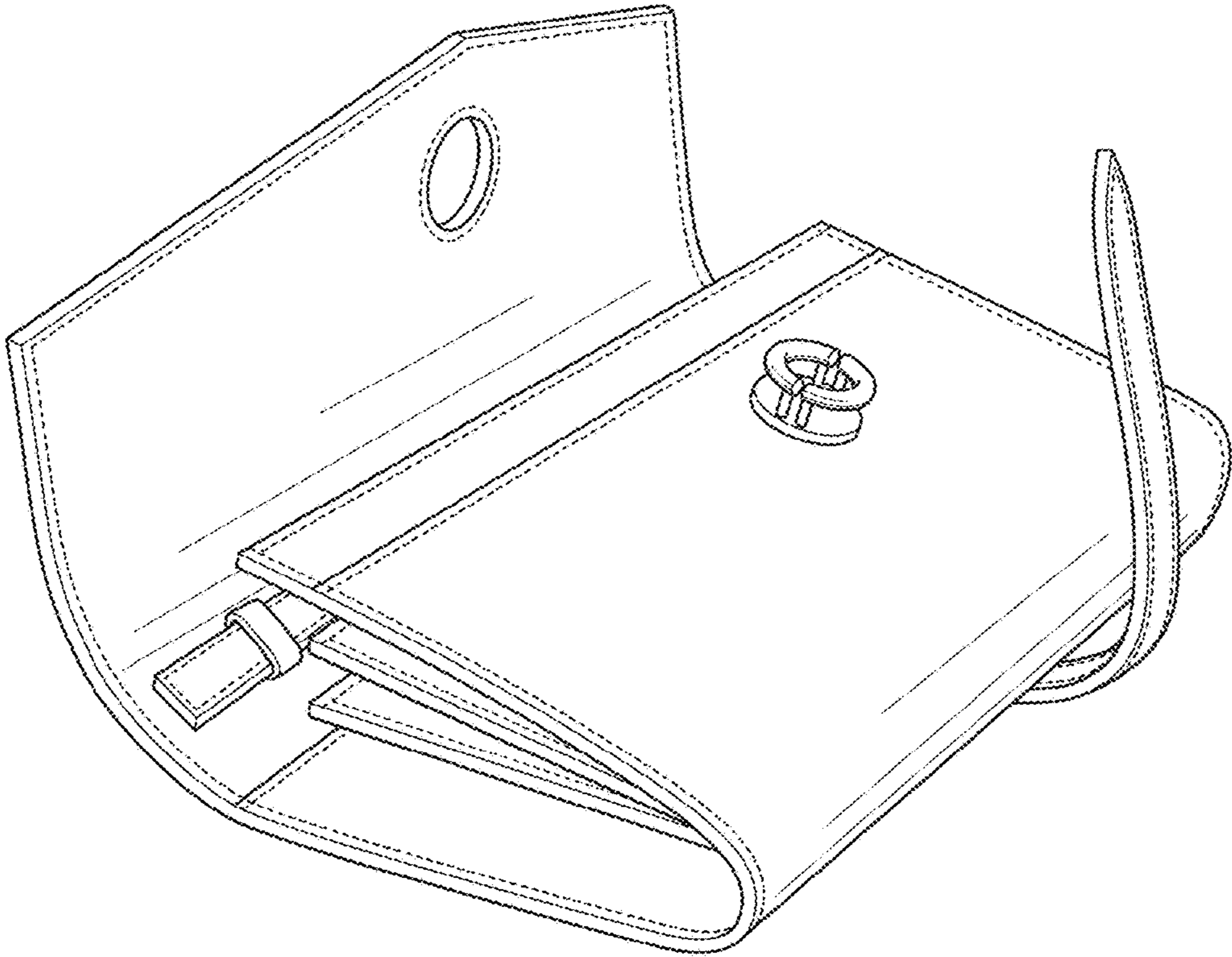


FIG. 9

FIG. 10

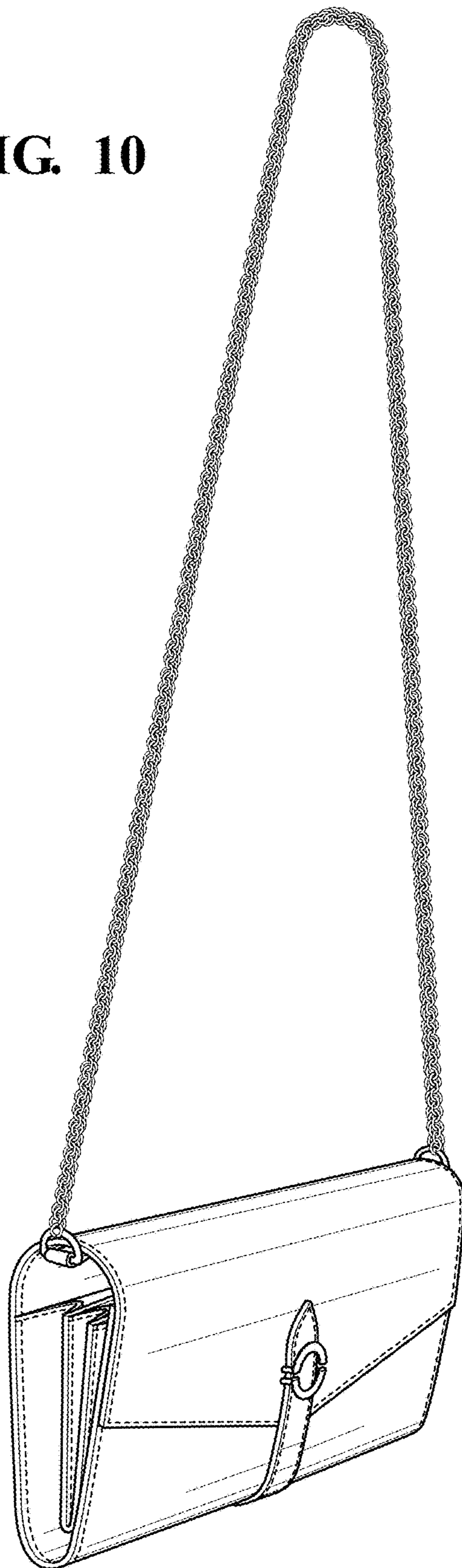


FIG. 11

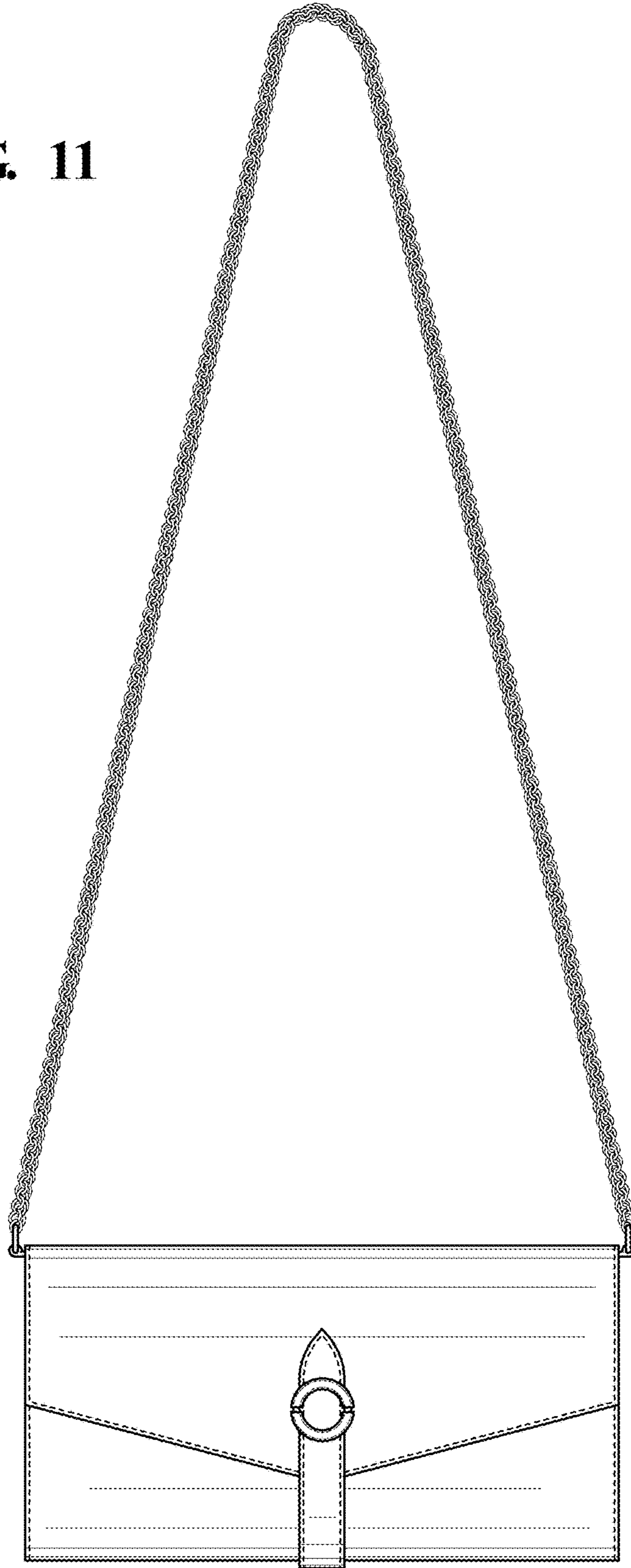


FIG. 12

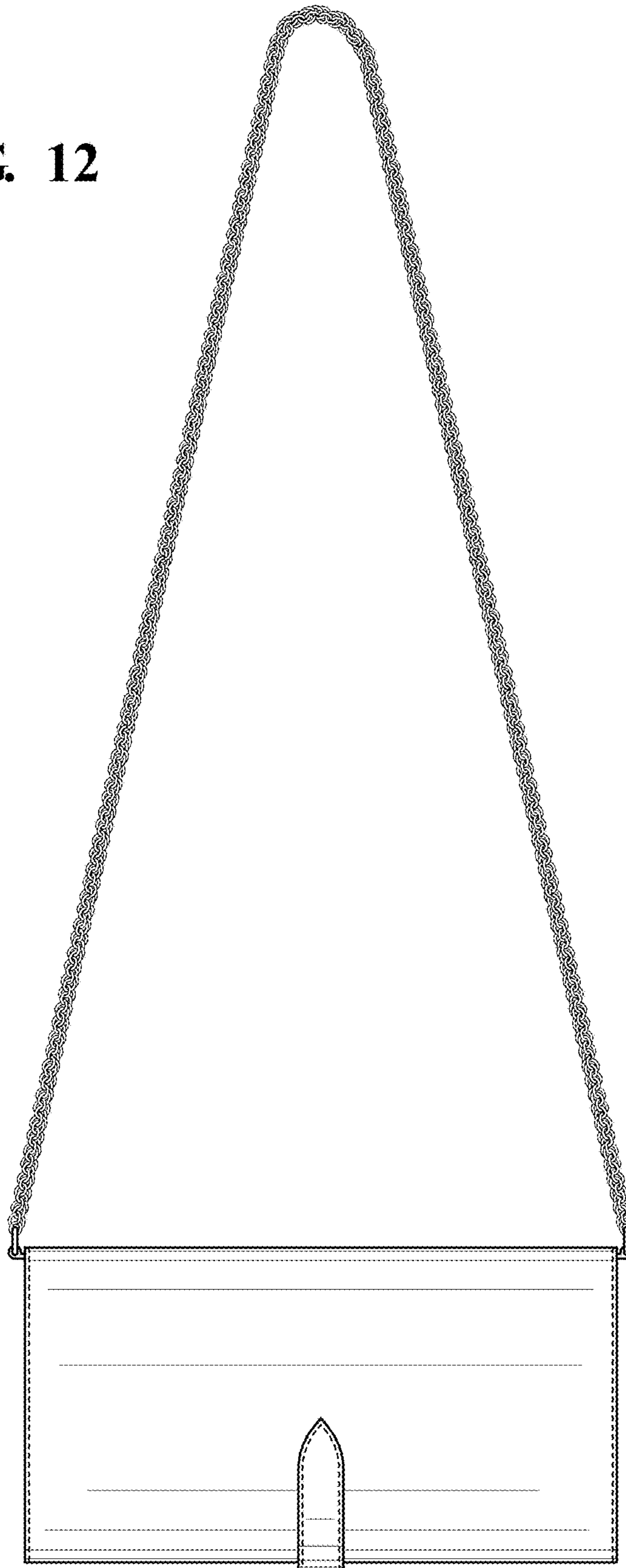


FIG. 13

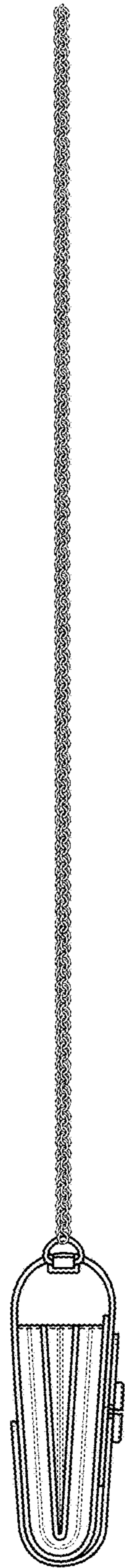
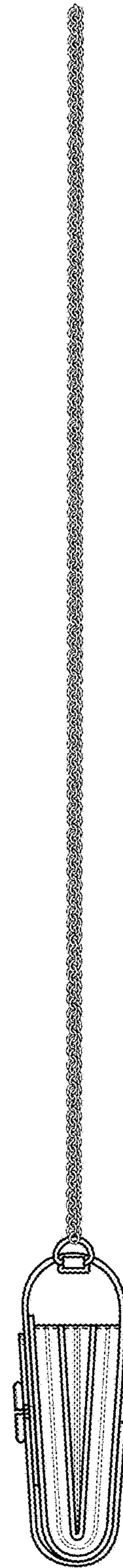


FIG. 14



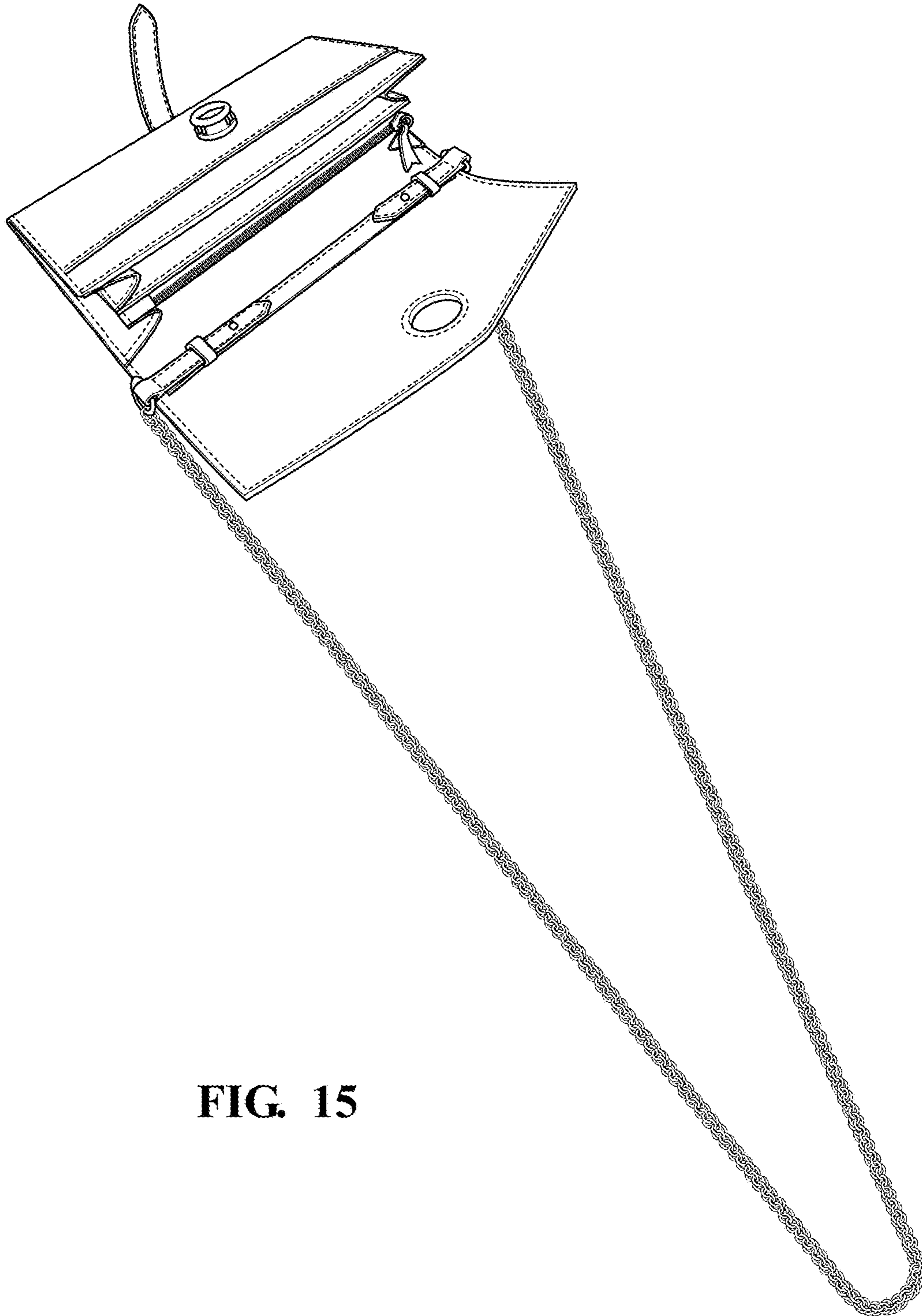


FIG. 15

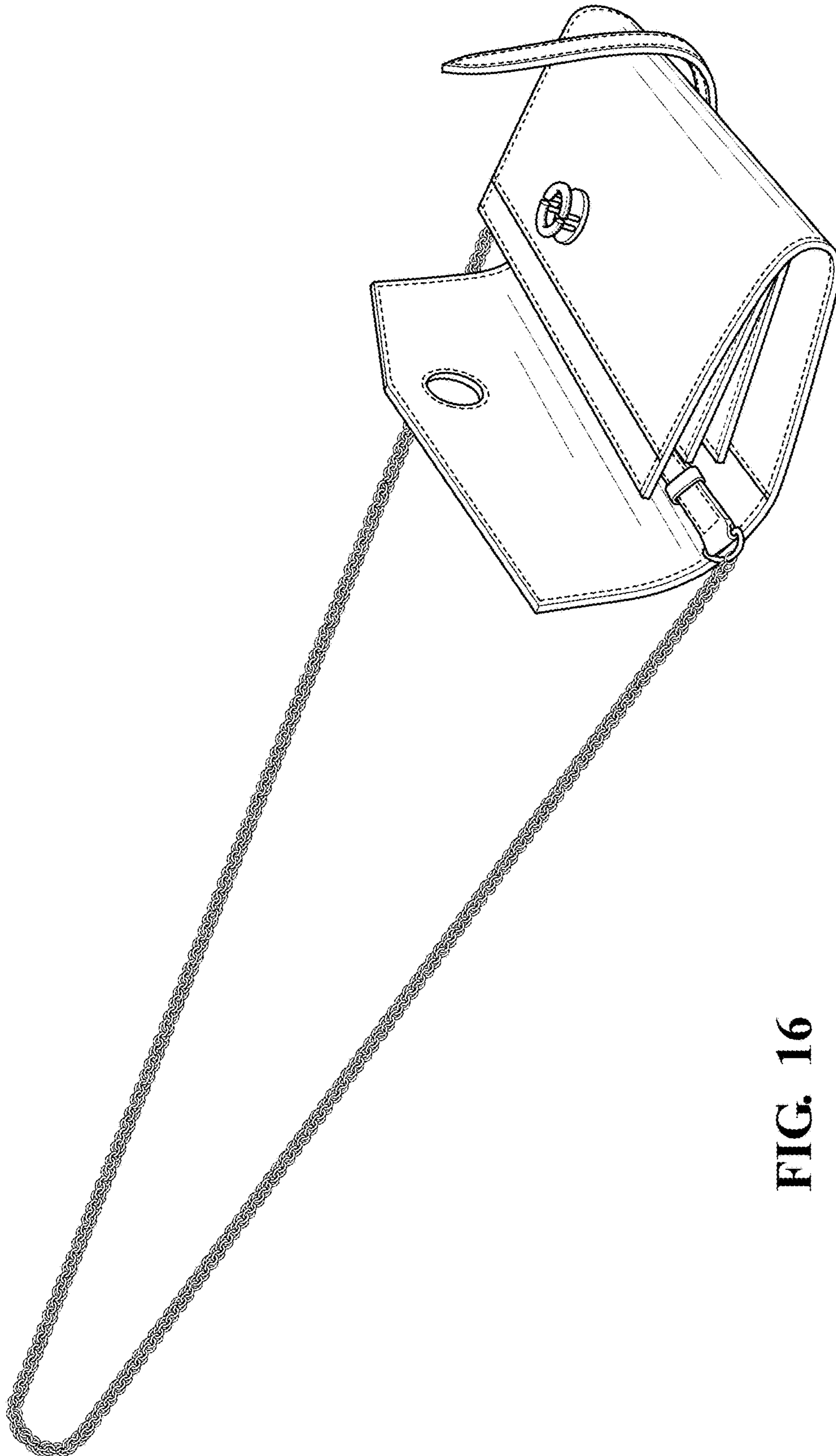


FIG. 16