



US00D812903S

(12) **United States Design Patent** (10) **Patent No.:** **US D812,903 S**
Derusha (45) **Date of Patent:** **** Mar. 20, 2018**

(54) **BAG**

FOREIGN PATENT DOCUMENTS

(71) Applicant: **Joseph Derusha**, Sherman Oaks, CA (US)

WO 2015130972 A2 9/2015

(72) Inventor: **Joseph Derusha**, Sherman Oaks, CA (US)

OTHER PUBLICATIONS

(**) Term: **15 Years**

International Search Report and Written Opinion of related PCT Application PCT/US2015/017931 dated Jun. 19, 2015.
International Preliminary Report on Patentability of related PCT Application PCT/US2015/017931, dated Aug. 30, 2016.
Origami Sonobe Cute Charms timelapse. Uploaded by SecretPsychoRo, Mar. 15, 2015. Retrieved from Internet: <http://www.youtube.com/watch?v=YCMwKbyRkoQ> on Apr. 30, 2015.
Paper N Pearlz. Diamond Earrings. Retrieved from Internet: <http://papempearlz.com/origami/diamond-earrings/> Mar. 30, 2010.
Releve Design, "How to Make Small Octahedral Origami Accessories." Retrieved from Internet: <http://www.relevedesign.com/how-to-make-origami-accessories/> Dec. 29, 2011.

(21) Appl. No.: **29/561,383**

(22) Filed: **Apr. 15, 2016**

Related U.S. Application Data

(62) Division of application No. 29/483,249, filed on Feb. 26, 2014, now Pat. No. Des. 757,425.

(51) **LOC (11) Cl.** **03-01**

(52) **U.S. Cl.**
USPC **D3/232**

(58) **Field of Classification Search**
USPC D3/232-233, 240-243, 245-246
CPC A45C 1/024; A45C 3/08
See application file for complete search history.

* cited by examiner

Primary Examiner — Holly H Baynham

(74) *Attorney, Agent, or Firm* — Stephen W. Chen; Nixon Peabody LLP

(56) **References Cited**

U.S. PATENT DOCUMENTS

D115,548 S *	7/1939	Goldsmith	D3/240
D131,189 S *	1/1942	Lewis	D3/240
D137,556 S *	3/1944	Meyers	D3/253
D596,849 S	7/2009	Billauer		
D663,117 S *	7/2012	Schiffman	D3/232
D665,575 S *	8/2012	Bouskill	D3/232
D712,138 S *	9/2014	Kao	D3/232
D715,540 S *	10/2014	Ghisellini	D3/232
D757,425 S *	5/2016	Derusha	D3/232
D774,299 S *	12/2016	Anderson	D3/232

(57) **CLAIM**

The ornamental design for a bag, as shown.

DESCRIPTION

FIG. 1 is a front perspective view of a bag showing my design;
FIG. 2 is a top perspective thereof.
FIG. 3 is an open configuration thereof; and,
FIG. 4 is a closed configuration thereof.
The broken lines in the drawings depict environmental subject matter only and form no part of the claimed design.

1 Claim, 2 Drawing Sheets

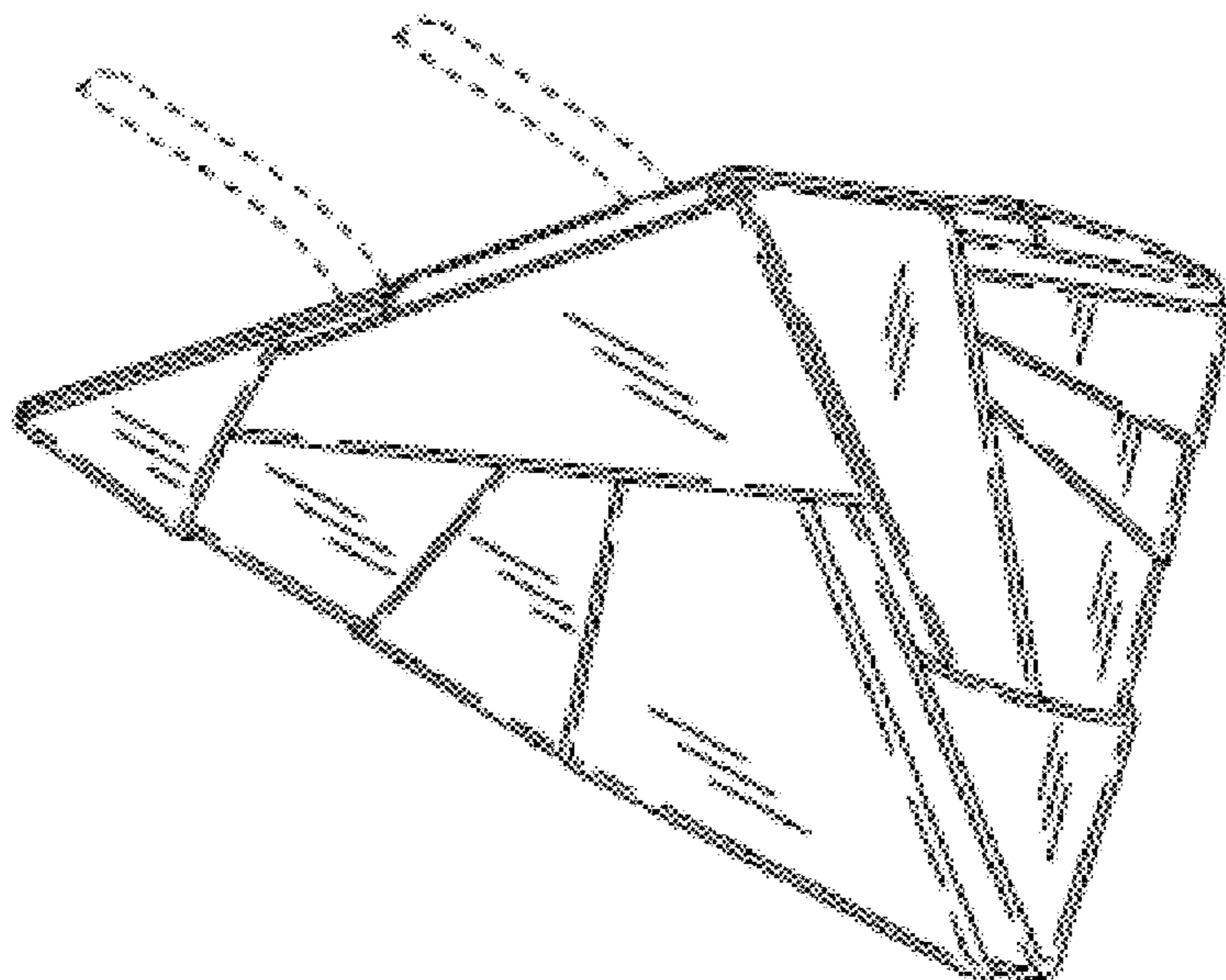


FIG. 1

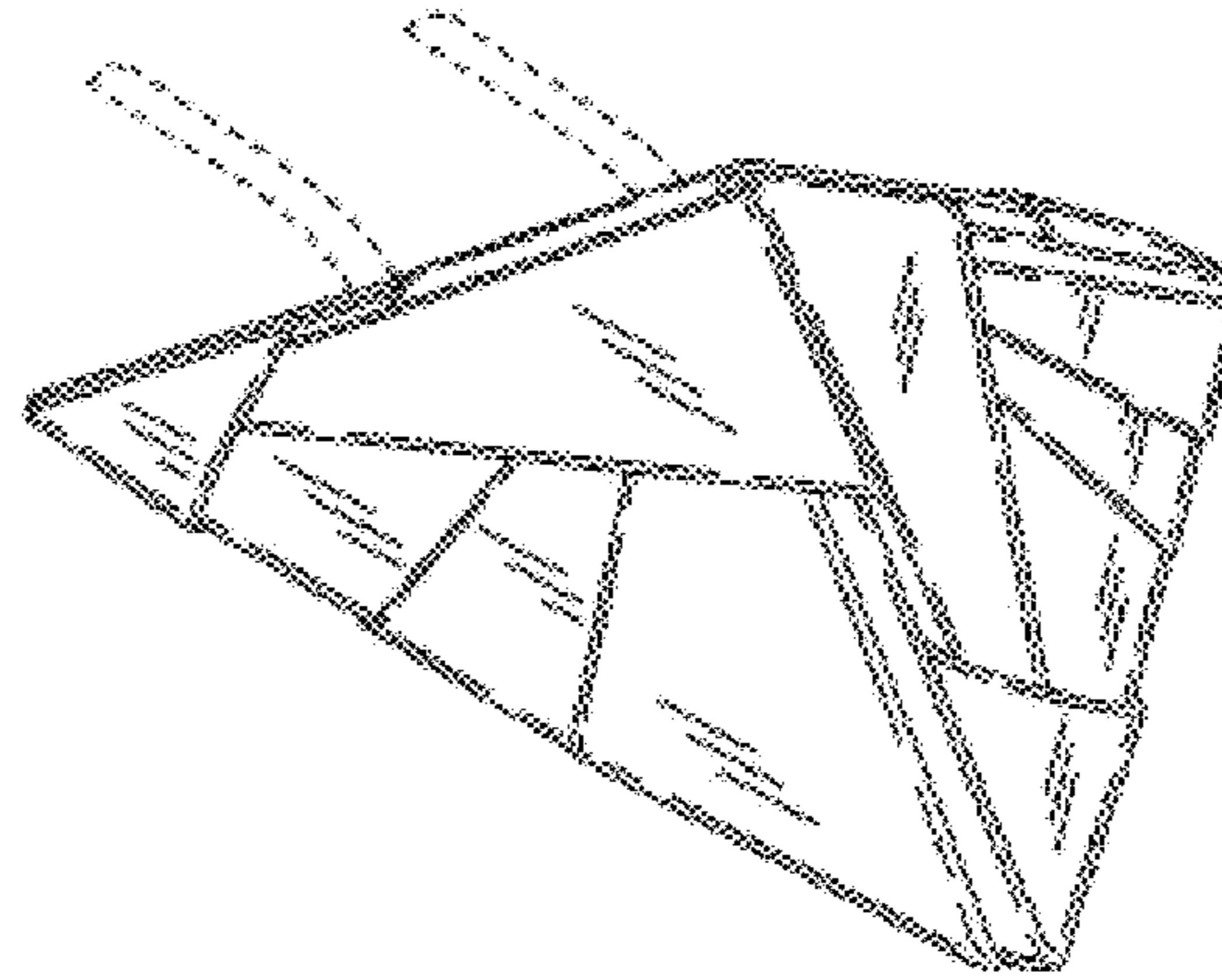


FIG. 2

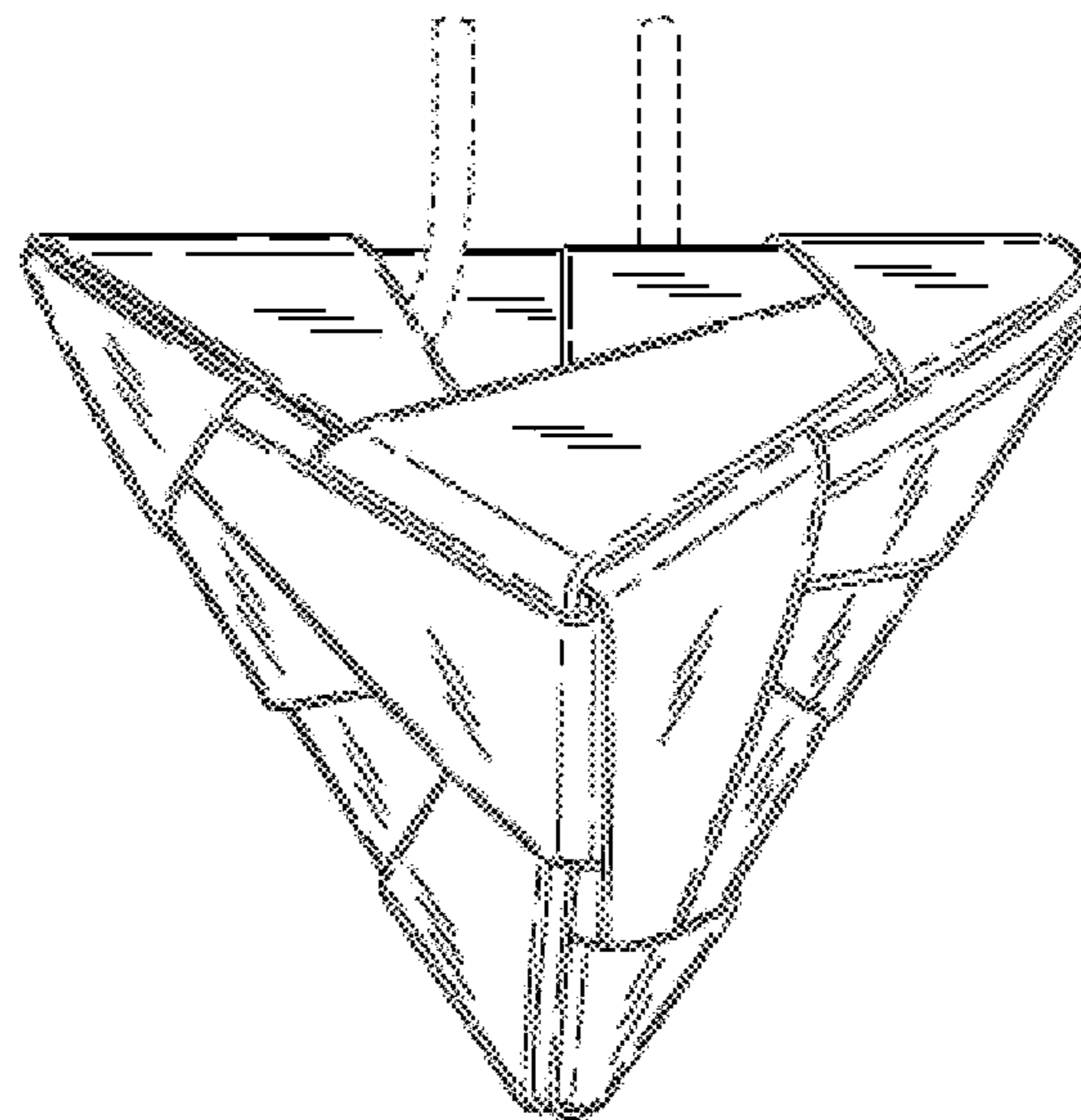


FIG. 3

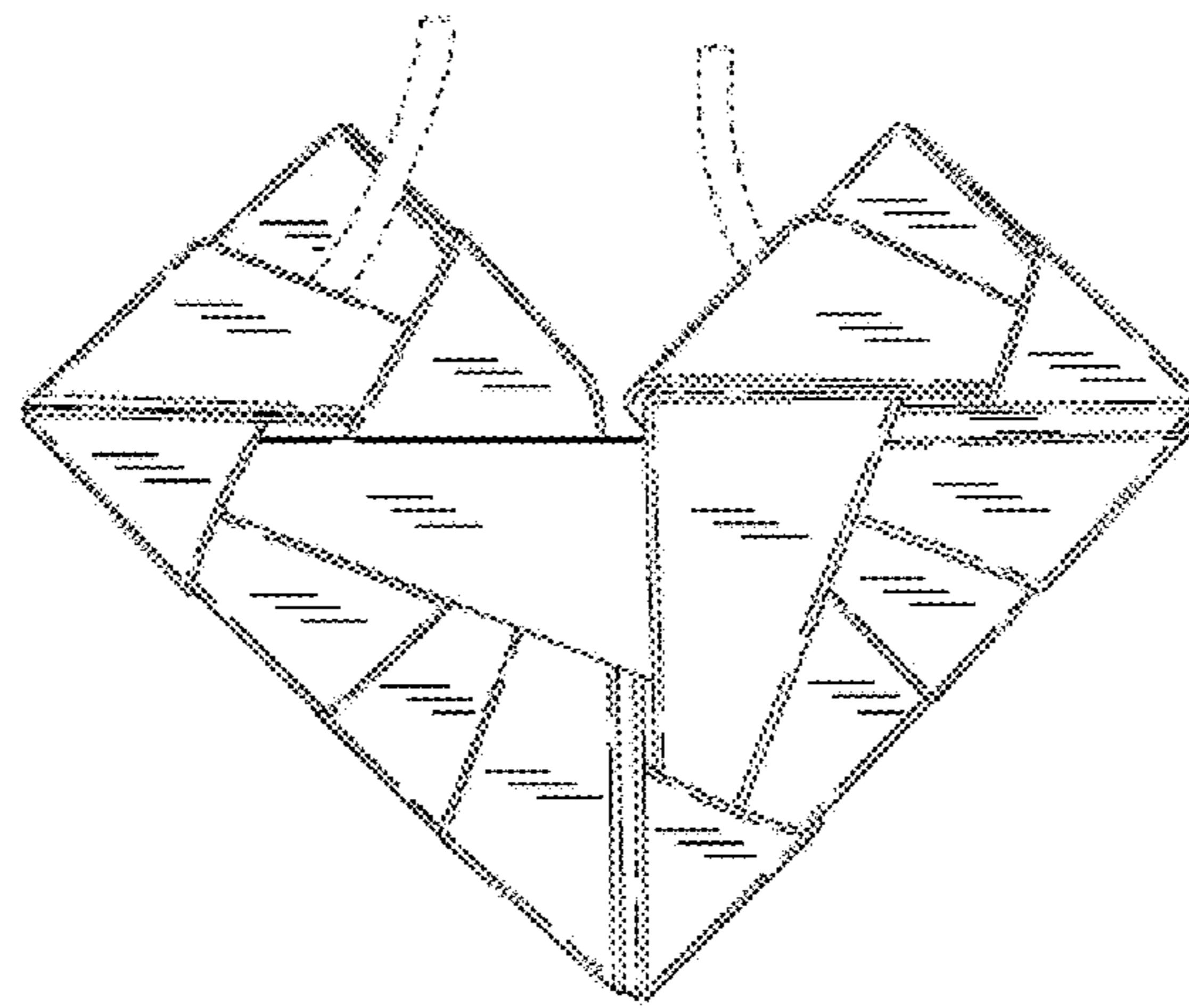


FIG. 4

