



US00D812901S

(12) **United States Design Patent** (10) **Patent No.:** **US D812,901 S**
Martinez (45) **Date of Patent:** **** Mar. 20, 2018**

(54) **WINDOW WASHING TOOL HOLDER AND BUCKET**

(71) Applicant: **Jared Martinez**, Rio Rancho, NM (US)

(72) Inventor: **Jared Martinez**, Rio Rancho, NM (US)

(**) Term: **15 Years**

(21) Appl. No.: **29/614,342**

(22) Filed: **Aug. 17, 2017**

(51) **LOC (11) Cl.** **03-01**

(52) **U.S. Cl.**
USPC **D3/228**

(58) **Field of Classification Search**
USPC D3/228, 201, 315; D32/41-43, 53, 53.1,
D32/54; 248/205.1, 303, 692;
15/257.05, 257.06; 224/148.4, 148.7,
224/183, 673, 677, 679, 904
CPC A45F 5/02; A45F 5/021; A45F 2200/0575;
A47L 1/00; A47L 13/51; B44D 3/126
See application file for complete search history.

(56) **References Cited**

U.S. PATENT DOCUMENTS

D254,940 S	5/1980	Thomas	
D272,775 S	2/1984	Weissenburger	
D274,860 S	7/1984	Bladen	
D286,949 S	12/1986	Hardman	
D293,857 S	1/1988	Stout	
D302,354 S	7/1989	Harper	
5,076,478 A	12/1991	Unger	
D338,254 S	8/1993	Ribbeck	
D349,603 S	8/1994	Doerksen	
5,489,051 A	2/1996	Robinson	
D388,955 S *	1/1998	Markiewicz D3/228
D389,303 S	1/1998	Shafer	
D393,940 S	5/1998	Akutsu	
D393,941 S	5/1998	Akutsu	
D405,258 S	2/1999	Newbould	
D408,989 S	5/1999	Miller	

D408,991 S	5/1999	Perez
D417,073 S	11/1999	Diener
D419,761 S	2/2000	Vazquez
6,045,017 A	4/2000	Connell
D439,039 S	3/2001	Austin
D461,309 S	8/2002	Eriksson
D463,115 S	9/2002	Snider
D463,117 S	9/2002	Carter
D464,484 S	10/2002	Landen
D485,060 S	1/2004	DeCotis
D503,039 S	3/2005	Cook

(Continued)

OTHER PUBLICATIONS

Moerman 17833 Side Bucket—Tool Holder with Quick Release, earliest review dated Dec. 2, 2014 (Year: 2014).*
Jon-Don, Unger Bucket on a Belt, Classic, 2017 (Year: 2017).*

Primary Examiner — Catherine R Oliver-Garcia
(74) *Attorney, Agent, or Firm* — Quickpatents, LLC;
Kevin Prince

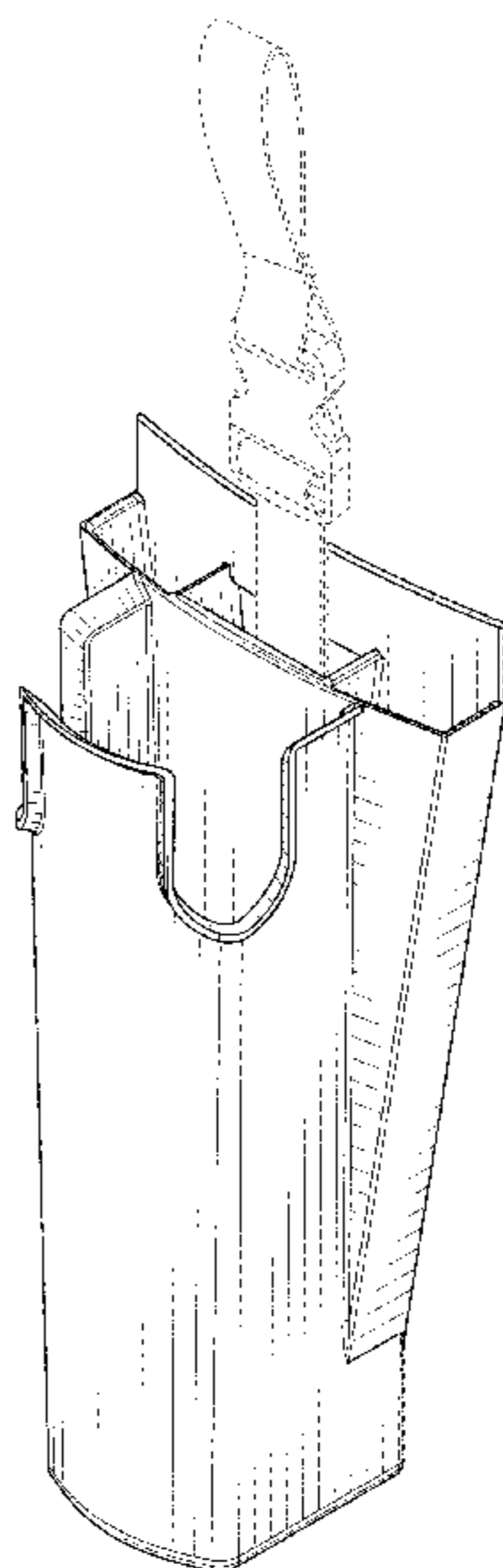
(57) **CLAIM**

I claim the ornamental design for a window washing tool holder and bucket, as shown and described.

DESCRIPTION

FIG. 1 is a front perspective view of a window washing tool holder and bucket, showing my new design; FIG. 2 is a rear perspective view thereof; FIG. 3 is a front elevational view thereof; FIG. 4 is a rear elevational view thereof; FIG. 5 is a left-side elevational view thereof; FIG. 6 is a right-side elevational view thereof; FIG. 7 is a top plan view thereof; and, FIG. 8 is a bottom plan view thereof. The broken lines showing a belt strap in FIG. 1 depict environmental matter and form no part of the claimed design.

1 Claim, 7 Drawing Sheets



(56)

References Cited

U.S. PATENT DOCUMENTS

6,866,172	B2	3/2005	Shackelford	
D511,890	S	11/2005	Burns	
D514,806	S	2/2006	McCambridge	
D516,803	S	3/2006	Simon	
D531,401	S	11/2006	Turner	
D533,343	S	12/2006	Gringer	
D550,957	S	9/2007	Erickson	
D559,531	S	1/2008	Koppe	
D586,114	S	2/2009	Ferguson	
D613,055	S	4/2010	Lui	
D669,259	S	10/2012	Schjolin	
D674,595	S	1/2013	Alexander	
8,418,309	B1 *	4/2013	Williams B44D 3/126 15/257.05
D684,763	S	6/2013	Stephens	
D685,992	S	7/2013	Benson	
8,783,538	B1	7/2014	Dattilo	
8,931,669	B2 *	1/2015	Bajuyo A45F 5/021 224/148.4
D723,797	S	3/2015	Hassler	
D727,107	S	4/2015	Parodi	
D746,052	S	12/2015	Buechner	
D789,681	S	6/2017	Grisamore	
9,713,374	B1	7/2017	Page	
D793,721	S	8/2017	Frontino	
D804,124	S *	11/2017	Sagastume D32/53
2008/0272269	A1	11/2008	Moravsky	

* cited by examiner

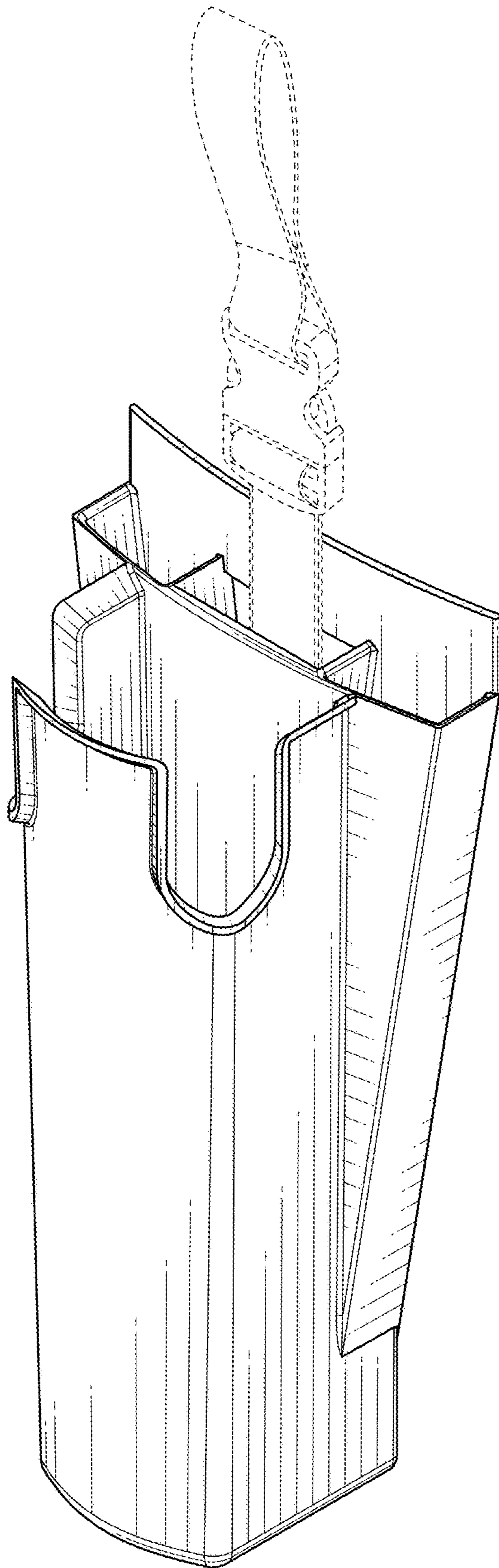


FIG. 1

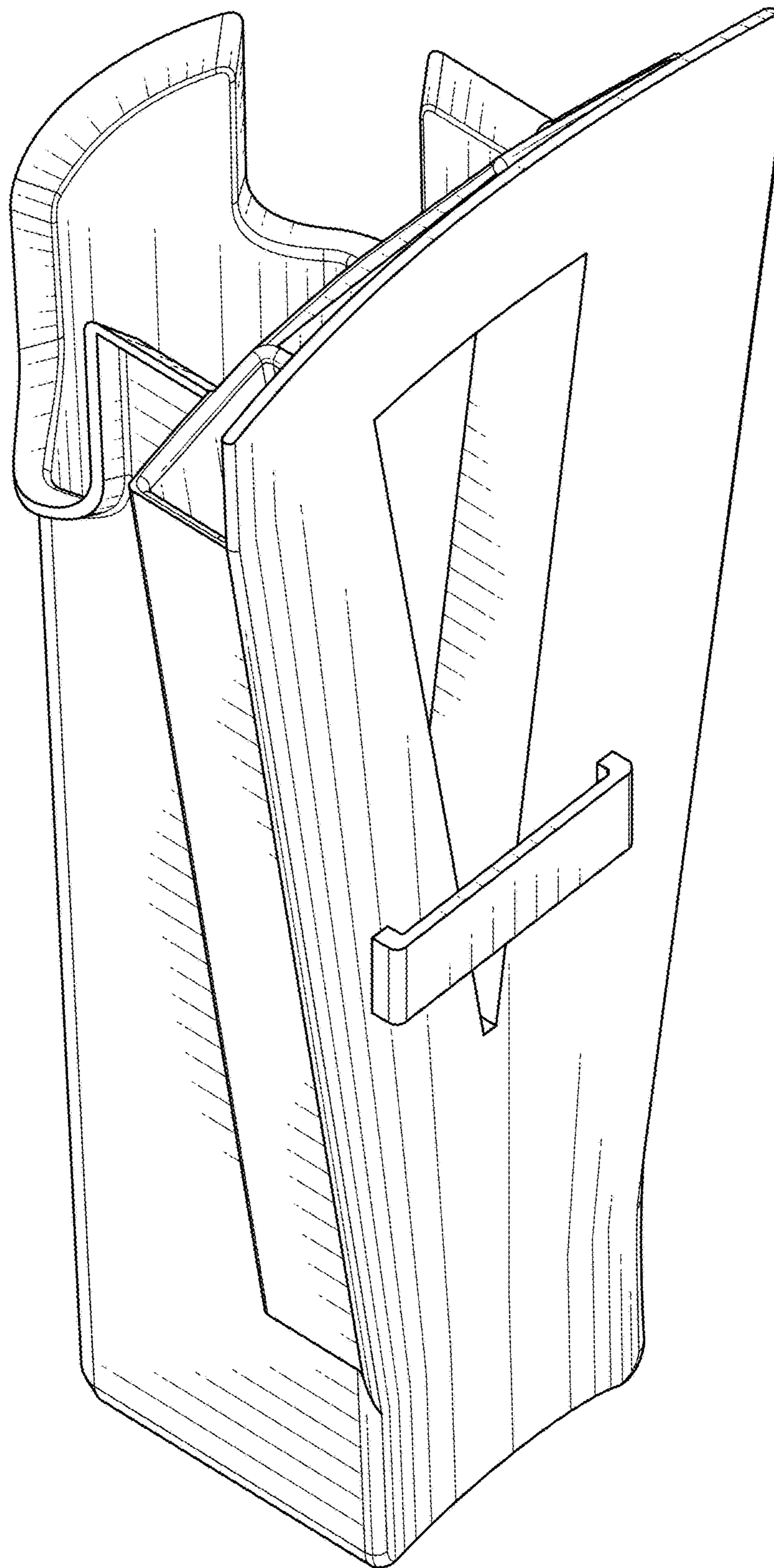


FIG. 2

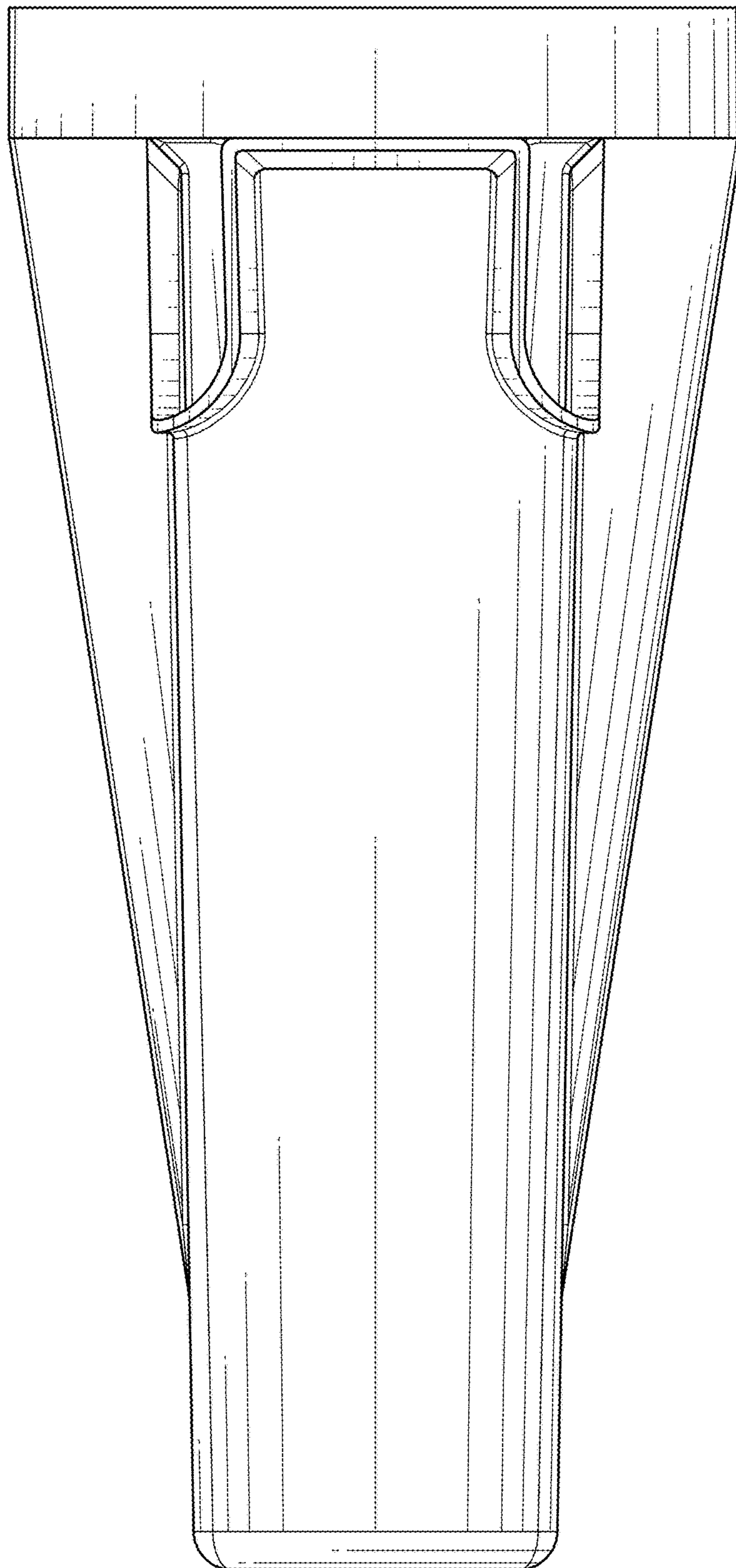


FIG. 3

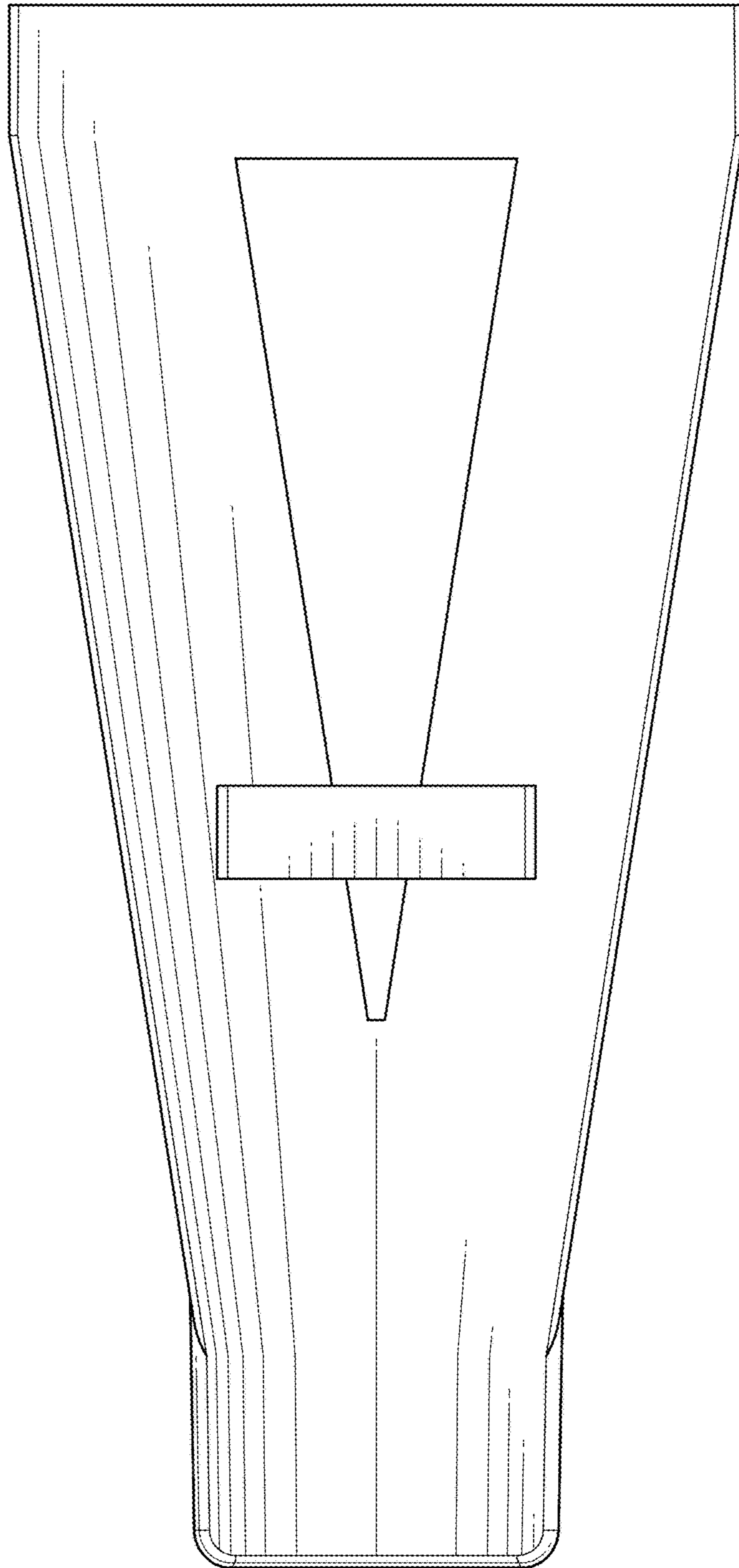


FIG. 4

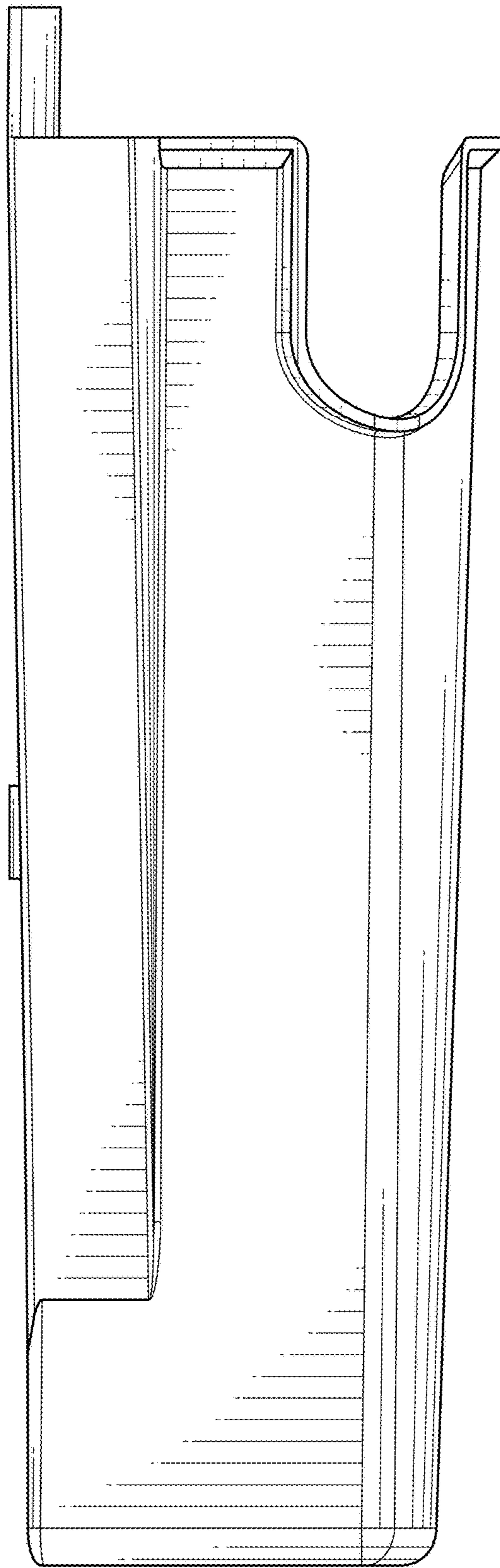


FIG. 5

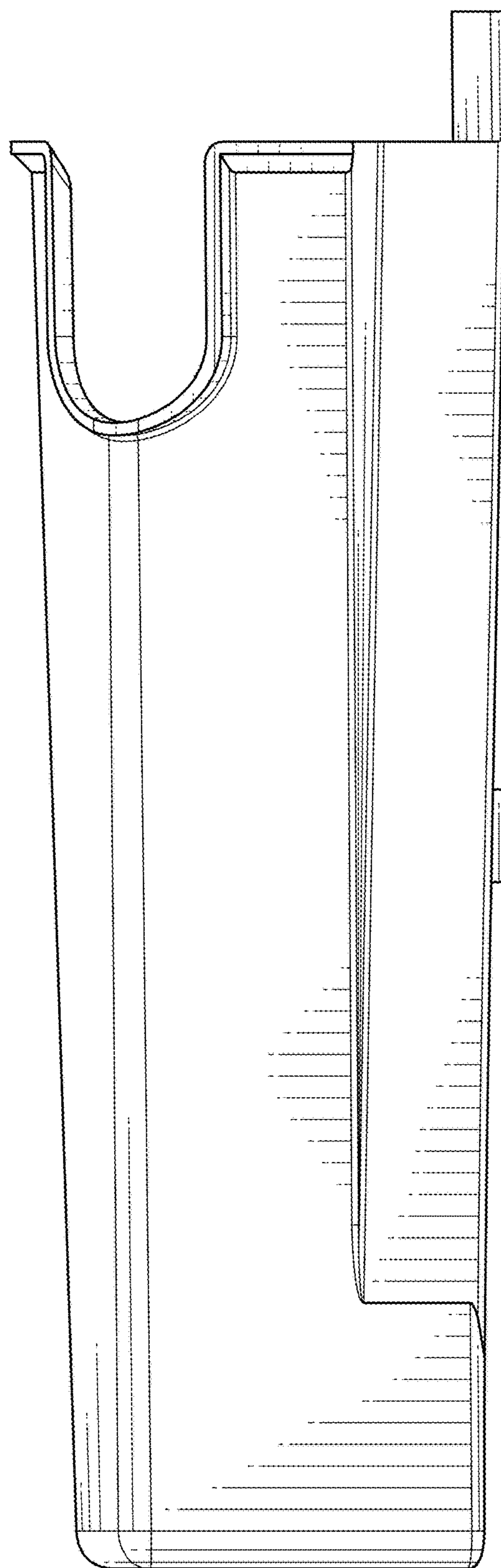


FIG. 6

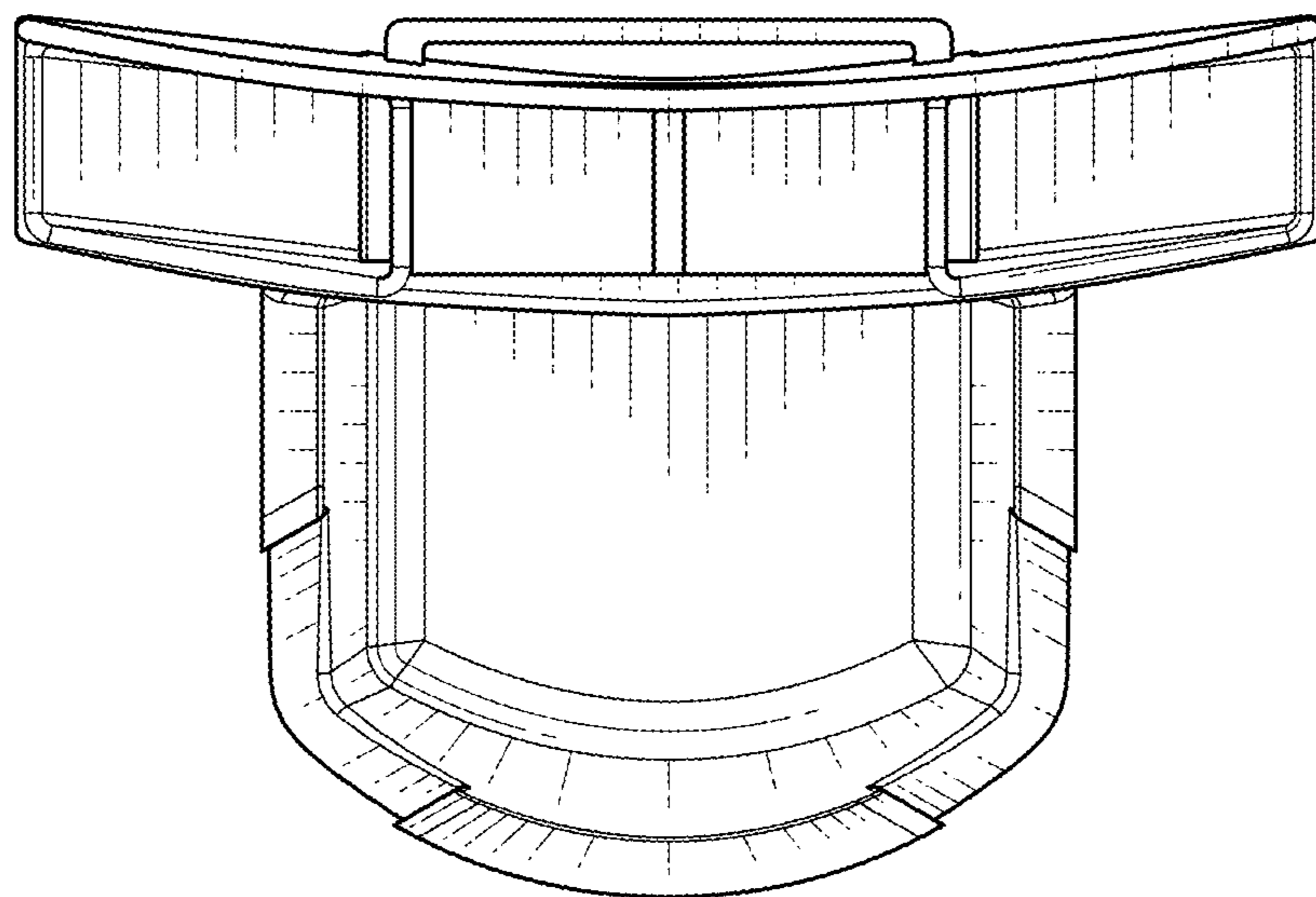


FIG. 7

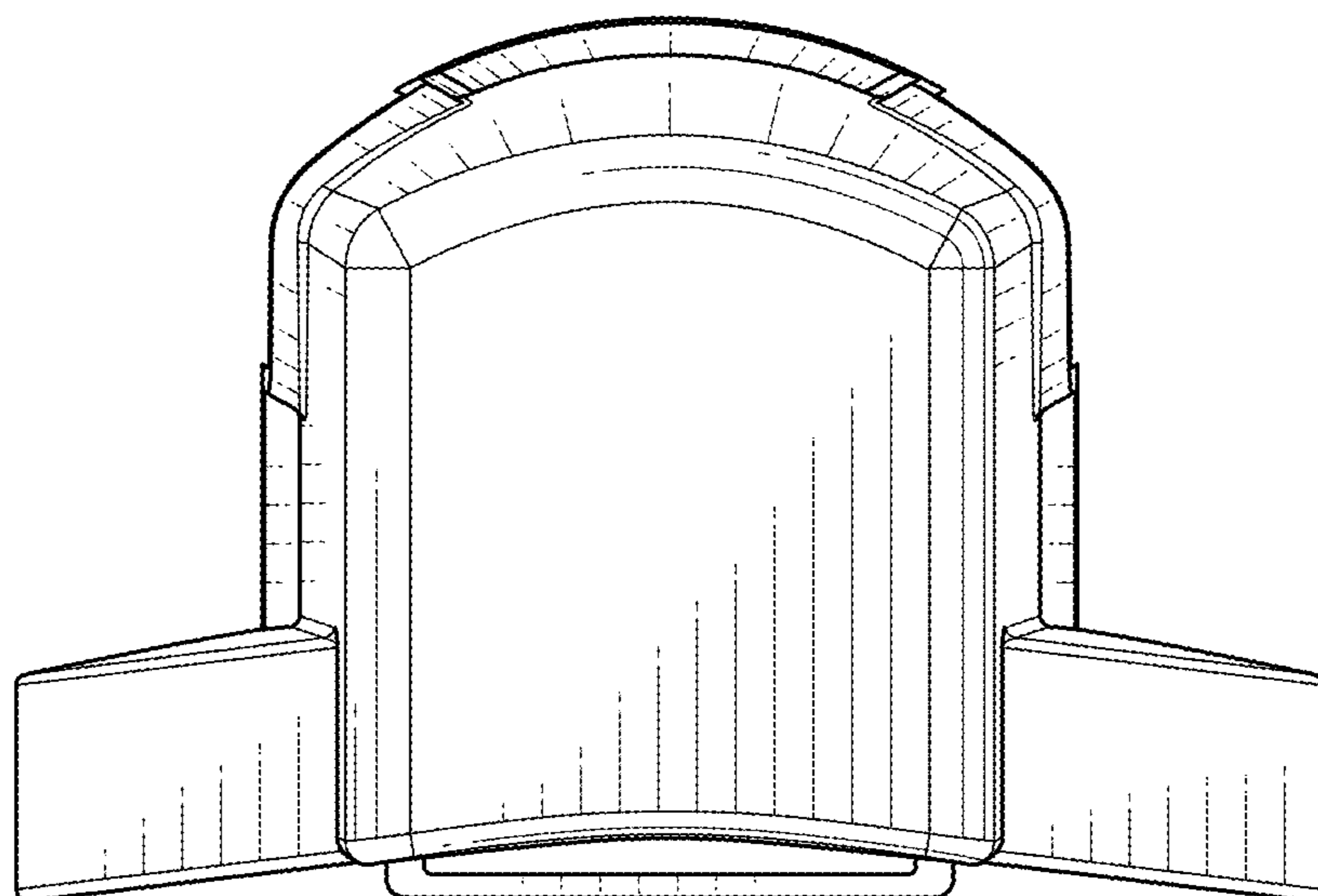


FIG. 8