



US00D812900S

(12) **United States Design Patent**
Votel et al.

(10) **Patent No.:** **US D812,900 S**
(45) **Date of Patent:** **** Mar. 20, 2018**

(54) **HOLSTER FOR TOOLS**

D774,298 S * 12/2016 Mathews, Jr. D3/228

(71) Applicant: **Tenacious Holdings, Inc.**, St. Paul, MN (US)

* cited by examiner

(72) Inventors: **Thomas Votel**, Sunfish Lake, MN (US);
Brent Velenchenko, St. Paul, MN (US); **Nathan Bohmbach**, Lakeville, MN (US)

Primary Examiner — Catherine R Oliver-Garcia
(74) *Attorney, Agent, or Firm* — Skaar Ulbrich Macari, P.A.

(73) Assignee: **Tenacious Holdings, Inc.**, St. Paul, MN (US)

(57) **CLAIM**

The ornamental design for a holster for tools, as shown and described.

(**) Term: **15 Years**

DESCRIPTION

(21) Appl. No.: **29/587,383**

(22) Filed: **Dec. 13, 2016**

(51) **LOC (11) Cl.** **03-01**

(52) **U.S. Cl.**
USPC **D3/228**

(58) **Field of Classification Search**
USPC D3/228, 215, 221, 224, 226; 224/162, 224/195–197, 369, 667, 674; 206/372–376
CPC A45F 5/00; A45F 5/02; A45F 5/021
See application file for complete search history.

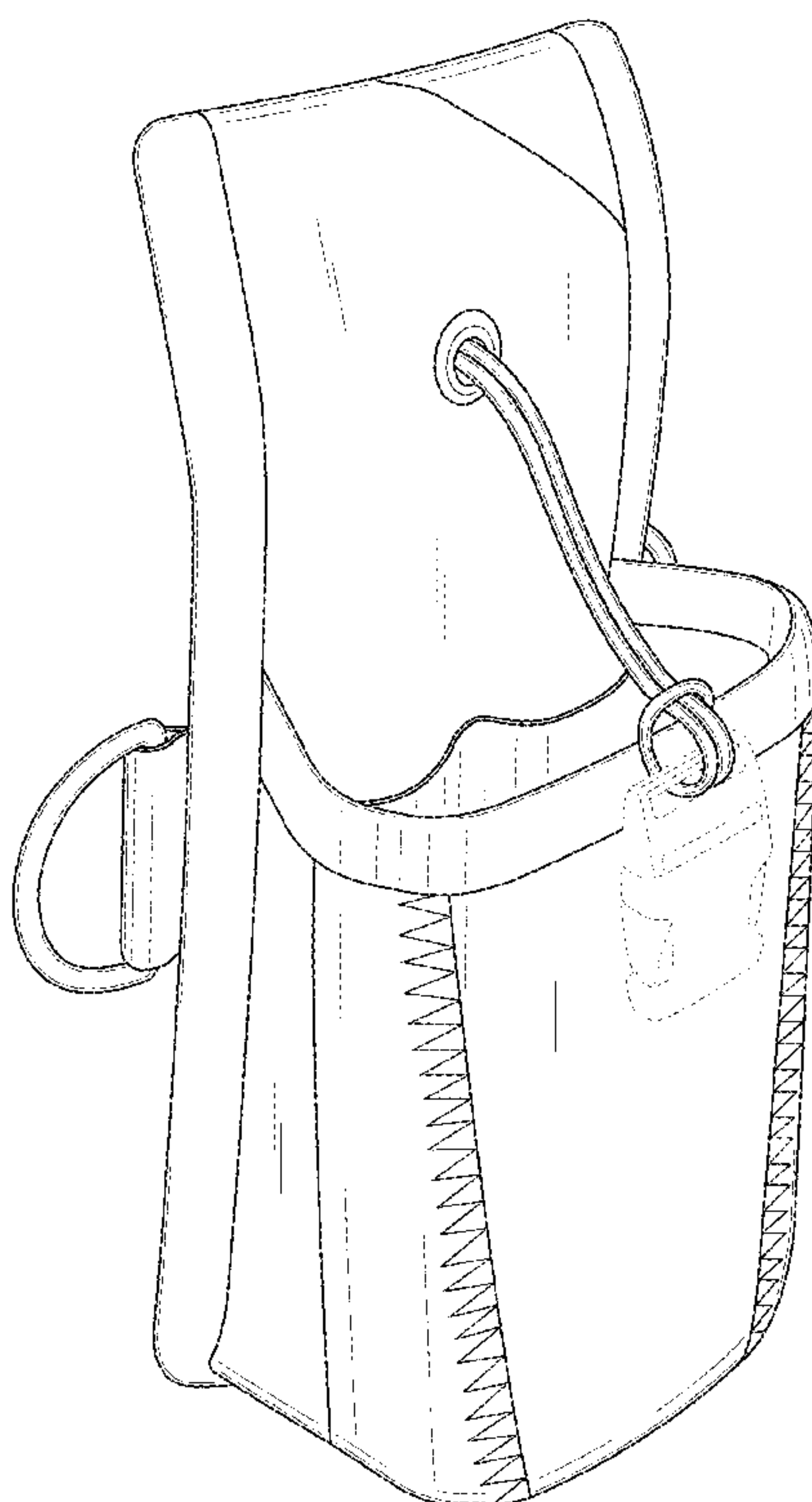
FIG. 1 is a perspective view of a holster for tools showing our new design;
FIG. 2 is a front elevation view thereof;
FIG. 3 is a rear elevation view thereof;
FIG. 4 is a rear elevation view thereof including a dashed out belt;
FIG. 5 is a left side elevation view thereof;
FIG. 6 is a right side elevation view thereof;
FIG. 7 is a top plan view thereof; and,
FIG. 8 is a bottom plan view thereof.
The broken lines in all figures showing a clasp illustrate portions of a holster for tools that form no part of the claimed invention. The broken lines in FIGS. 2, and 5-8 showing a logo outline illustrate portions of a holster for tools that form no part of the claimed invention. The broken lines in FIG. 4 outlining a belt show environmental matter and illustrate matter that forms no part of the claimed design.

(56) **References Cited**

U.S. PATENT DOCUMENTS

D349,603 S * 8/1994 Doerksen D3/228
D461,308 S * 8/2002 Snider D3/228
D770,762 S * 11/2016 Mathews, Jr. D3/228

1 Claim, 8 Drawing Sheets



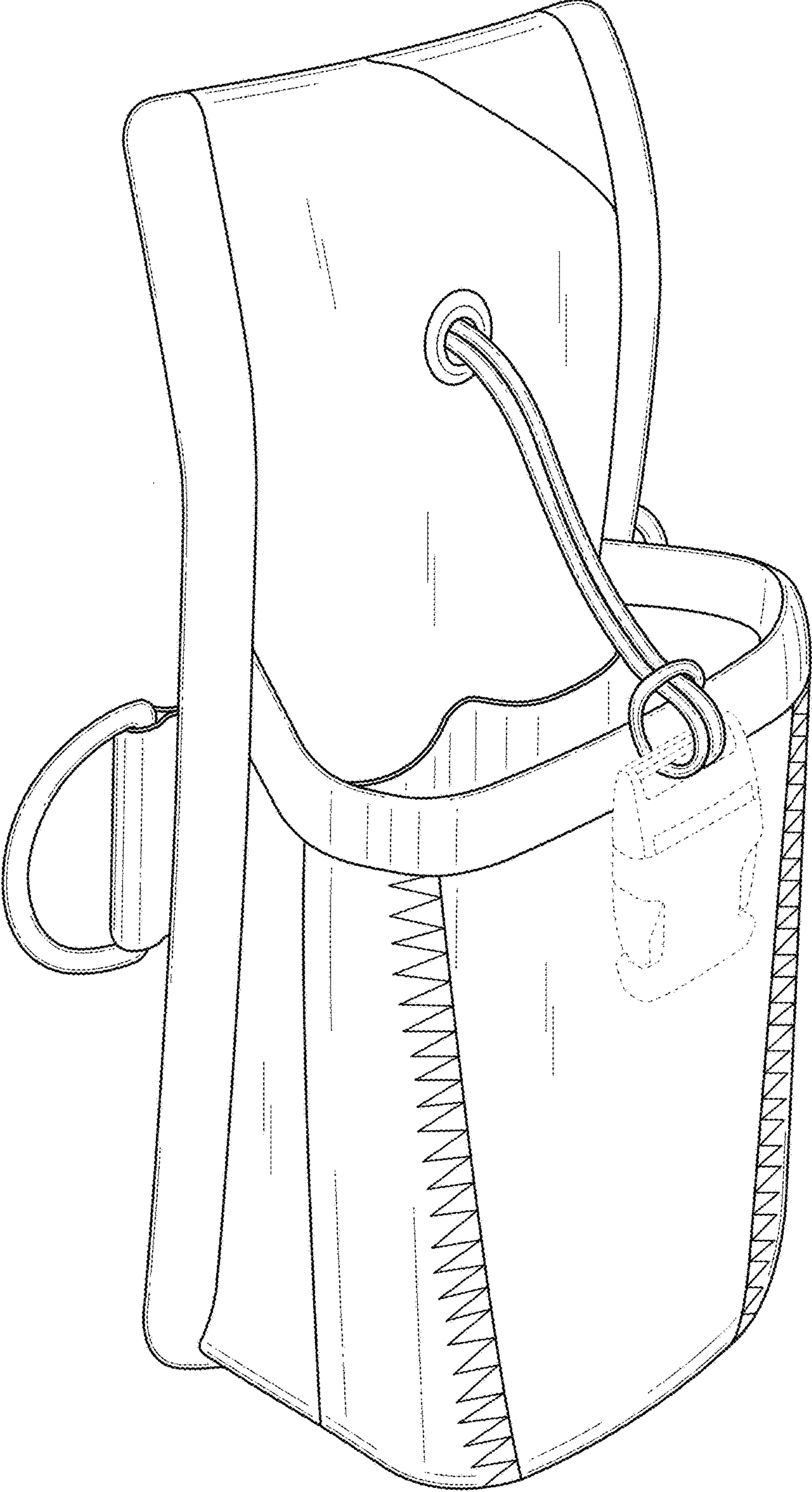


Fig. 1

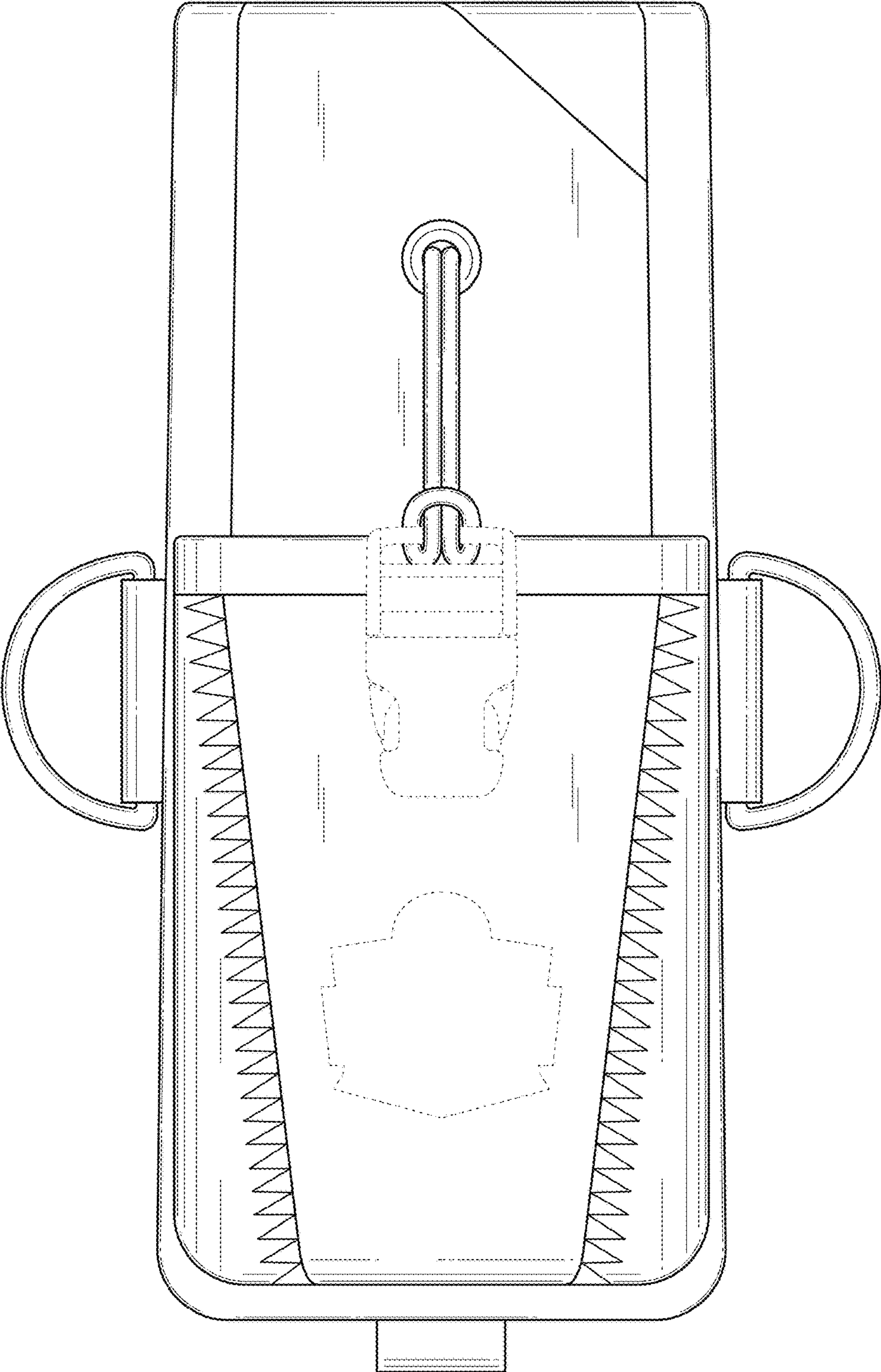


Fig. 2

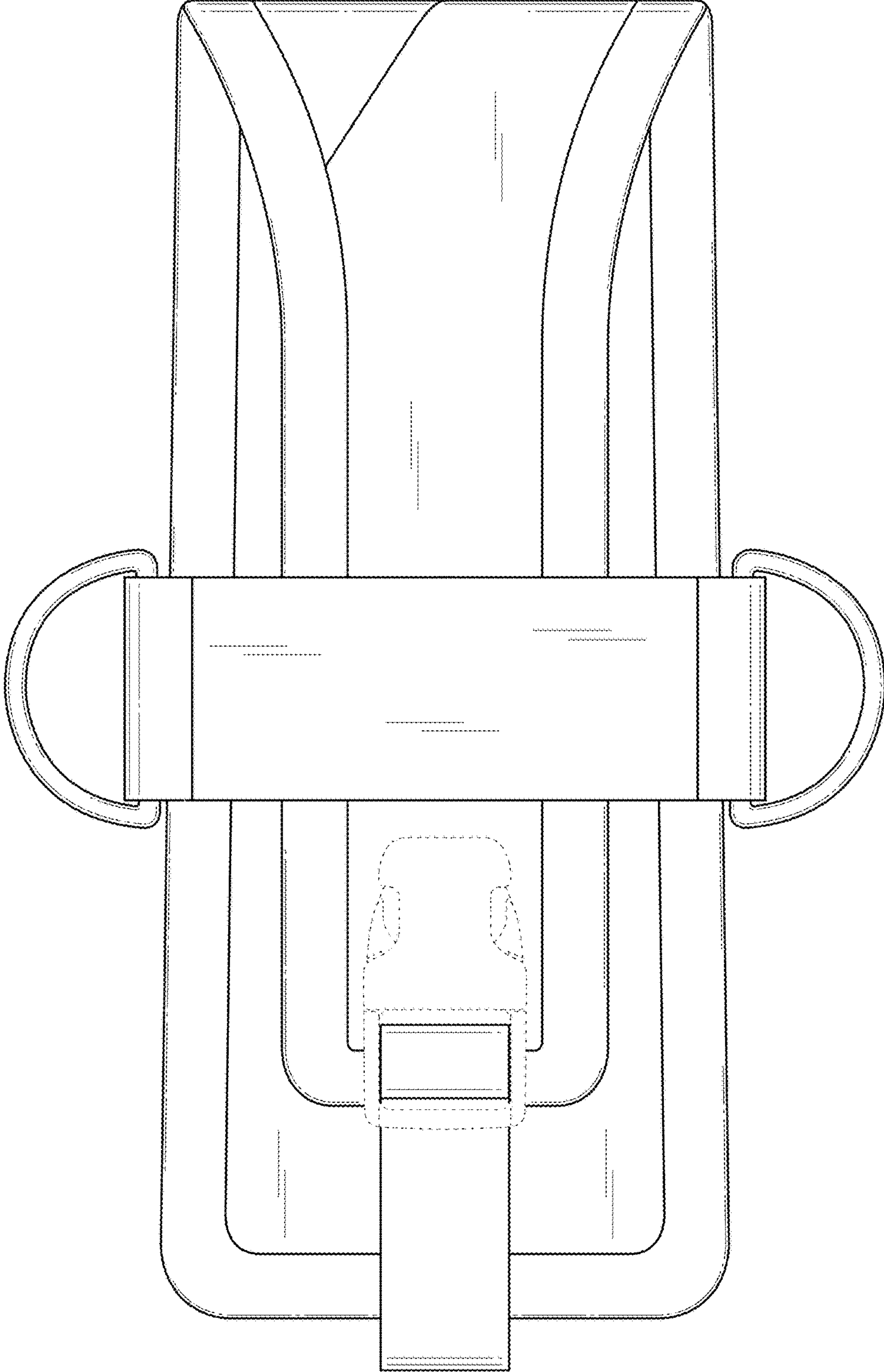


Fig. 3

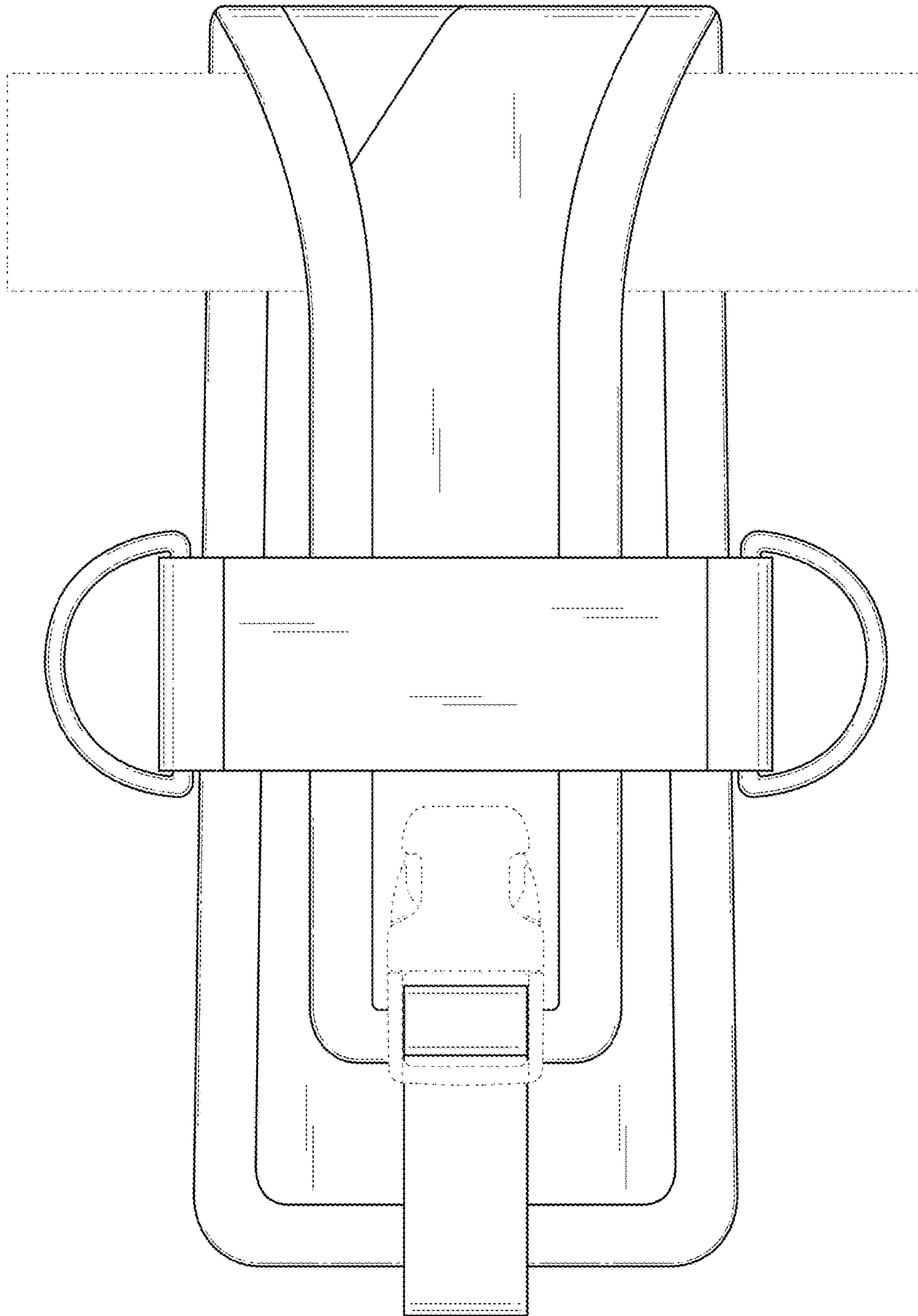


Fig. 4

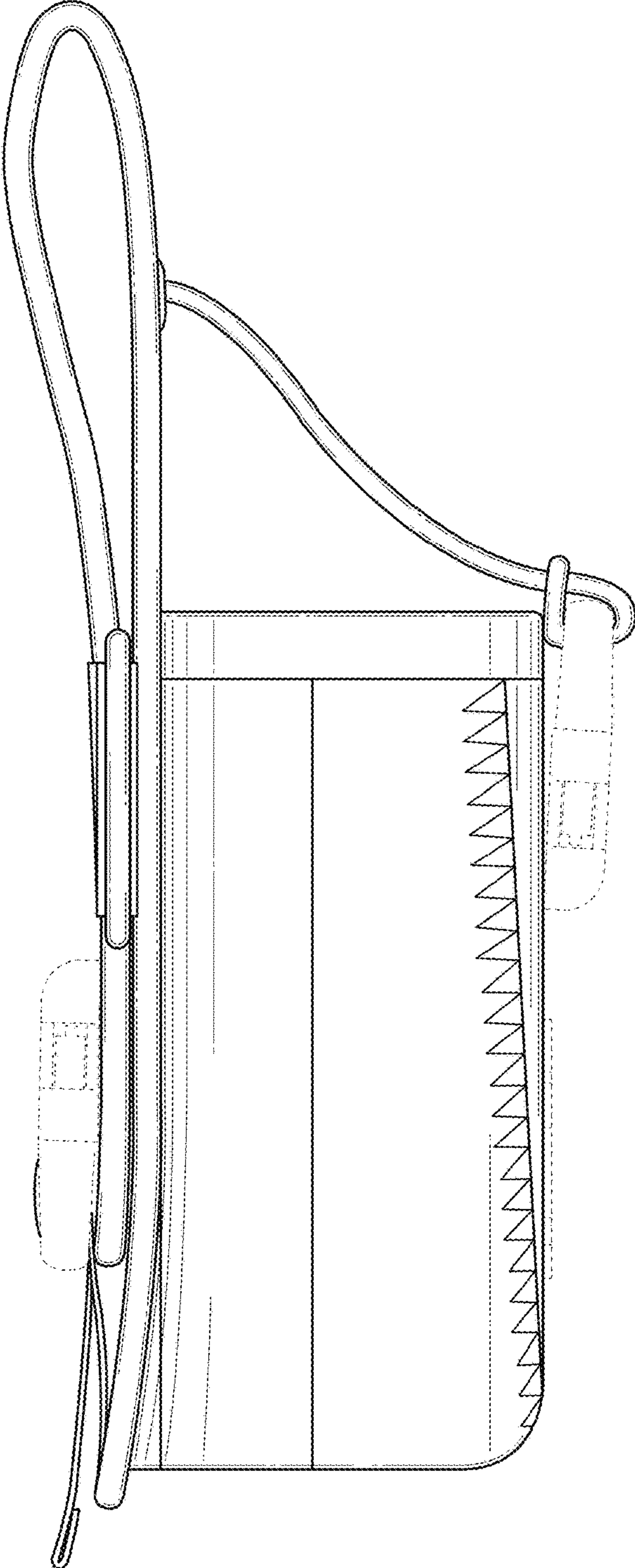


Fig. 5

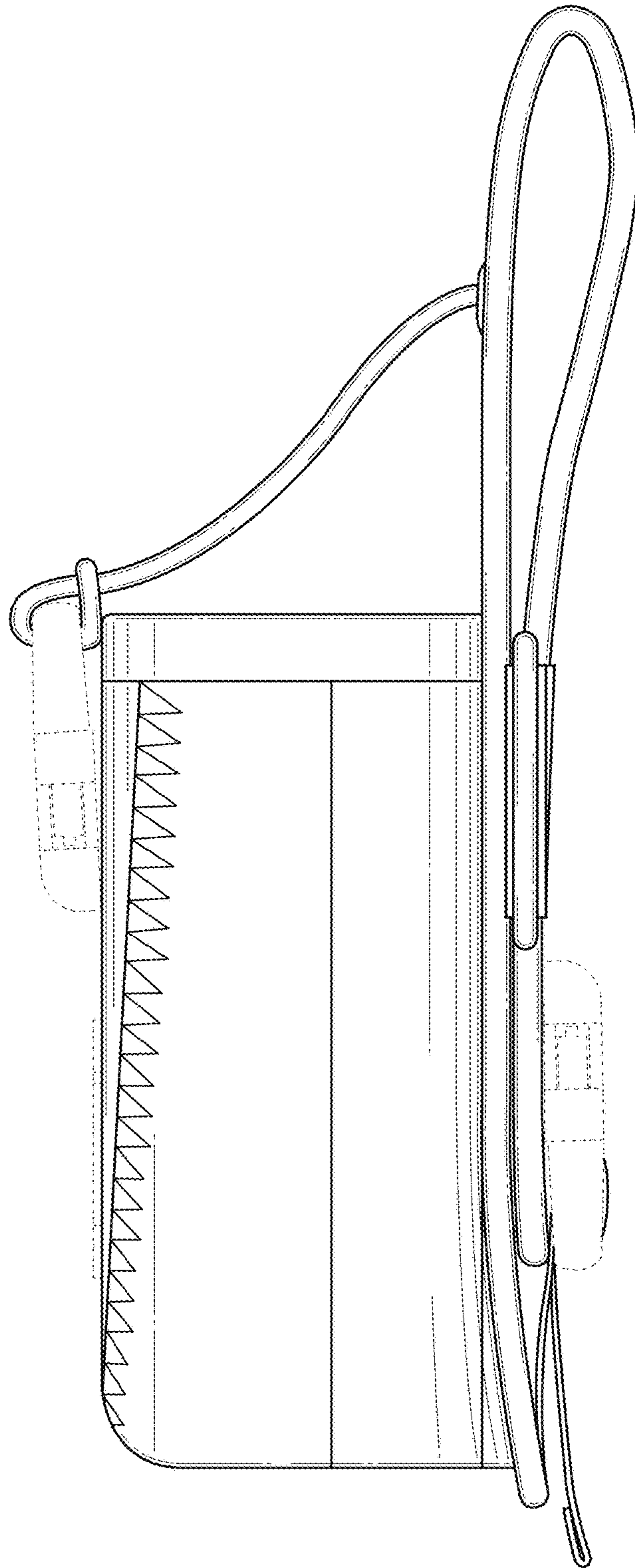


Fig. 6

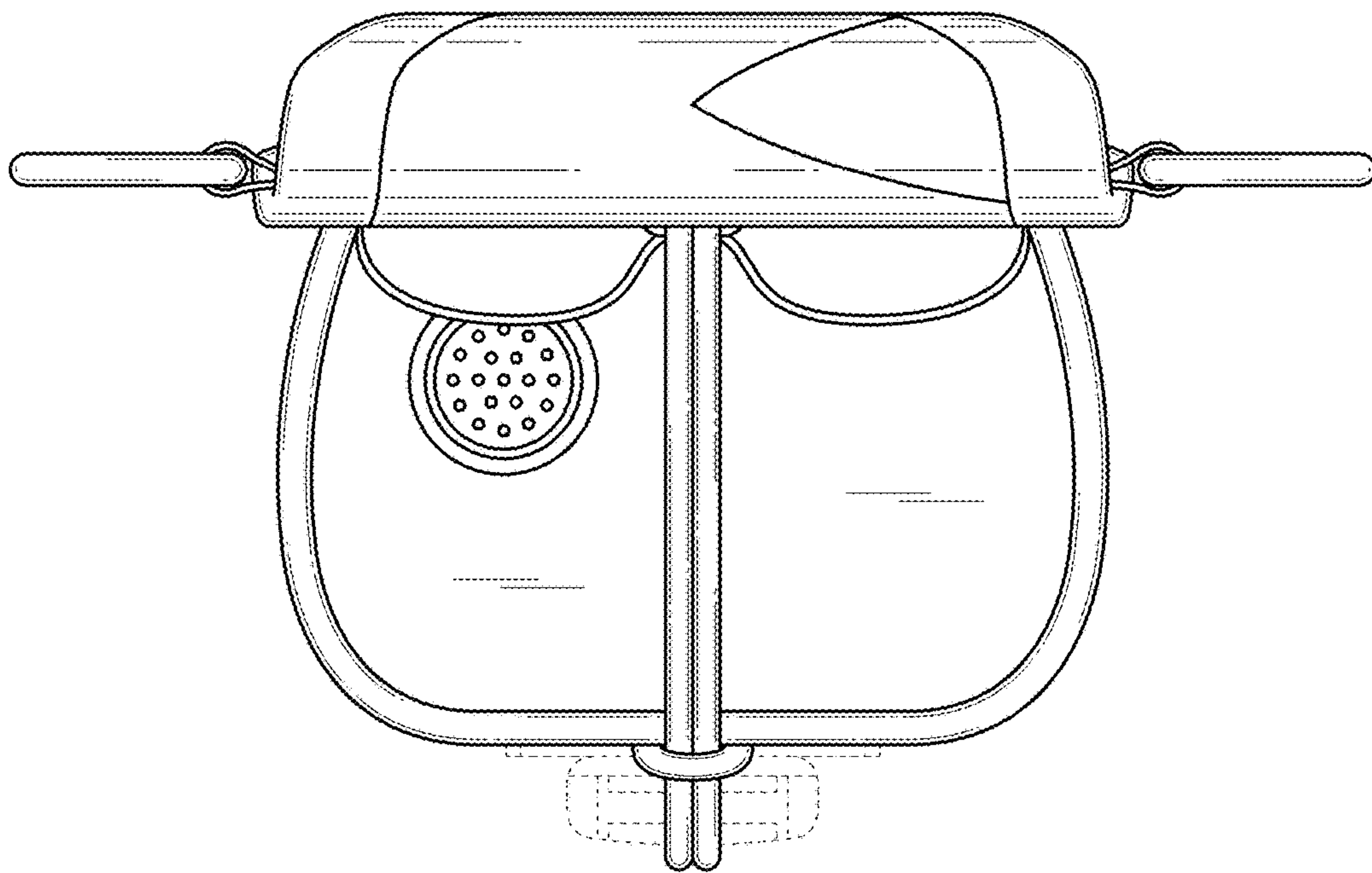


Fig. 7

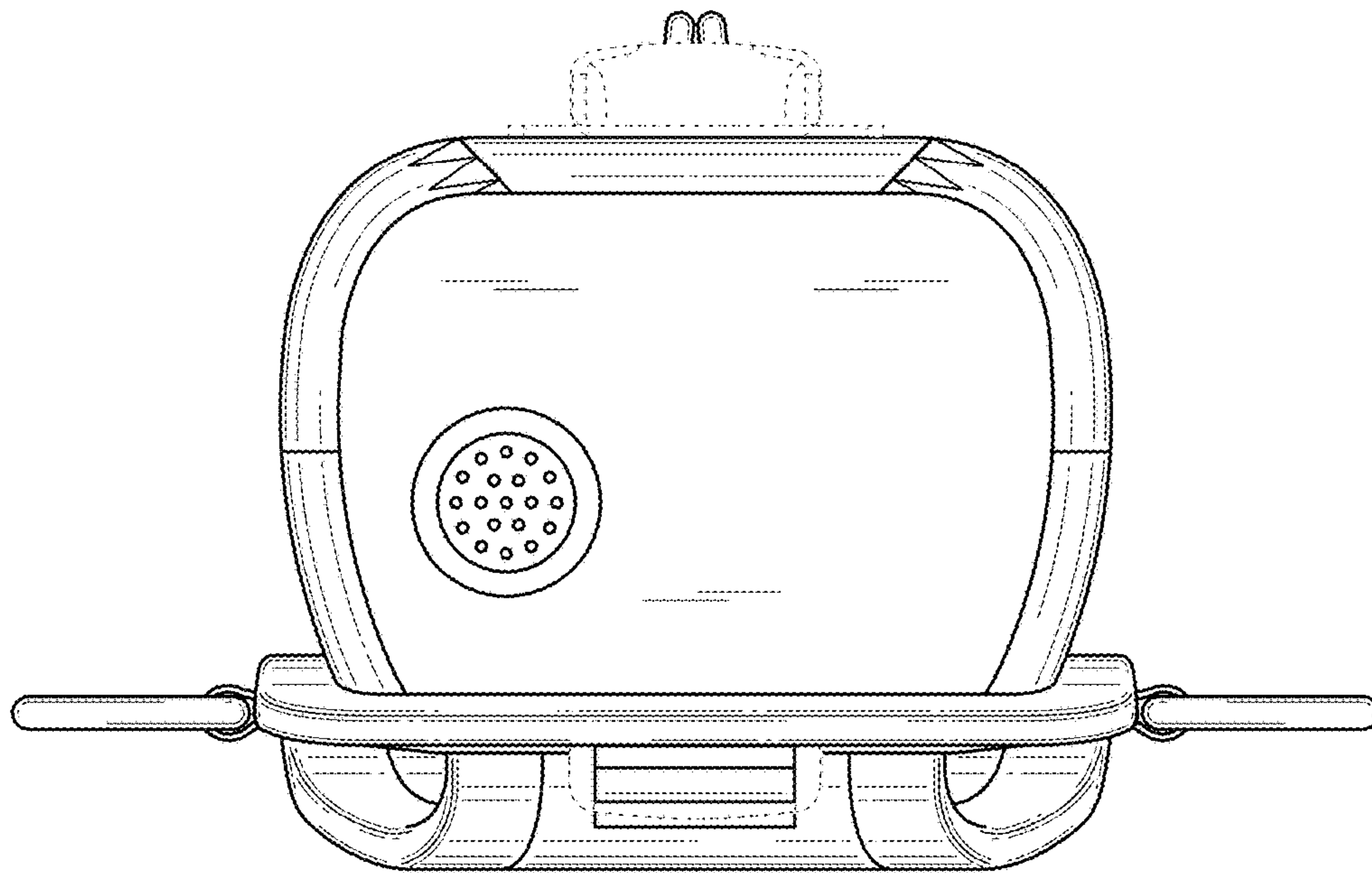


Fig. 8