



US00D812899S

(12) **United States Design Patent**
Schuster

(10) **Patent No.:** **US D812,899 S**
(45) **Date of Patent:** **** Mar. 20, 2018**

(54) **GOLF BALL HOLDER**
(71) Applicant: **Paul Scott Schuster**, Racine, WI (US)
(72) Inventor: **Paul Scott Schuster**, Racine, WI (US)
(**) Term: **15 Years**
(21) Appl. No.: **29/579,074**
(22) Filed: **Sep. 27, 2016**
(51) **LOC (11) Cl.** **03-01**
(52) **U.S. Cl.**
USPC **D3/221**
(58) **Field of Classification Search**
USPC D3/234, 221, 224, 228, 254, 255;
D21/796, 721, 789; 473/286; 294/19.2;
273/162 A, 32 D; 224/918, 919, 163,
224/315.1, 315.9
CPC A63B 47/002; A63B 57/20; A63B 55/20;
A63B 2210/50
See application file for complete search history.

(56) **References Cited**
U.S. PATENT DOCUMENTS
2,320,067 A * 5/1943 Caughren A01M 31/006
224/248
2,768,775 A * 10/1956 Houser A63B 47/001
221/185

(Continued)

OTHER PUBLICATIONS
Golf Ball Holder-Pro with Quick-Draw Release, Amazon.com,
[online], [site visited Sep. 28, 2017]. <URL: <https://www.amazon.com/Golf-Ball-Holder-Quick-Draw-Release/dp/B00JLRTZRM>>
(Year: 2017).*

(Continued)

Primary Examiner — T. Chase Nelson
Assistant Examiner — Jonathan J. Han
(74) *Attorney, Agent, or Firm* — Jansson Munger
McKinley & Kirby Ltd

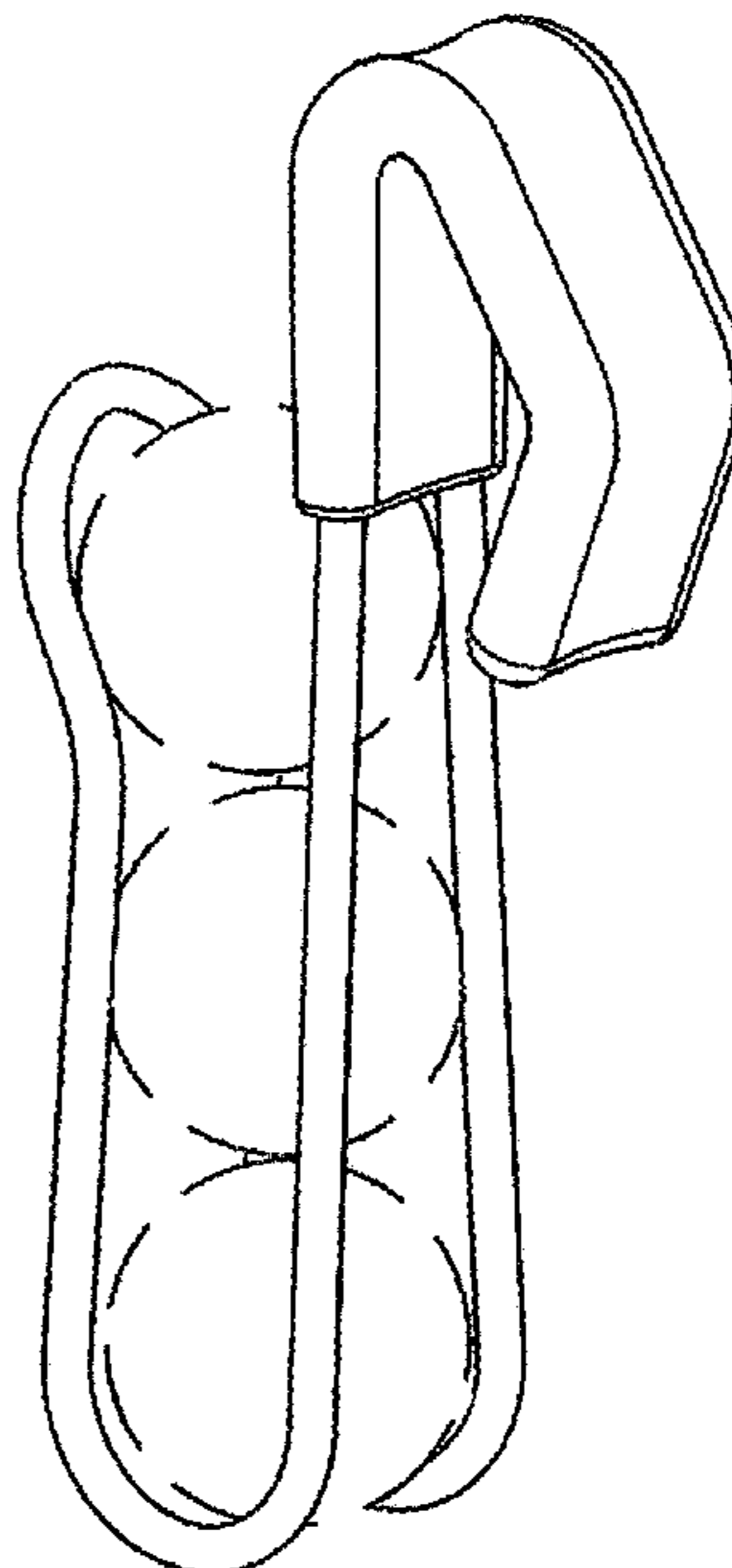
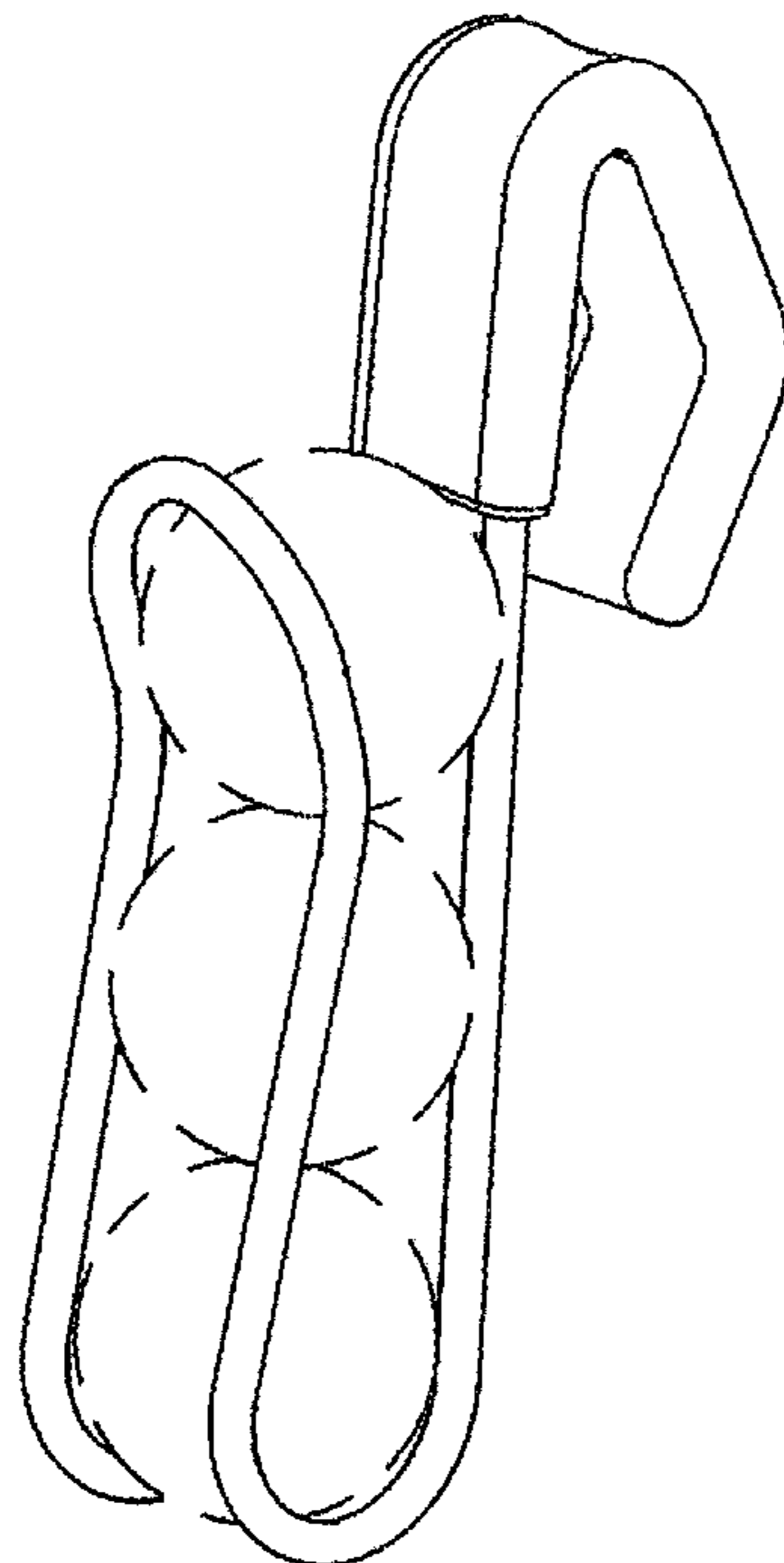
(57) **CLAIM**

The ornamental design for a golf ball holder, as shown and described.

DESCRIPTION

FIG. 1 is a front perspective view of the golf ball holder of the present design with golf balls;
FIG. 2 is a back perspective view of the golf ball holder shown in FIG. 1 with golf balls;
FIG. 3 is a front perspective view of the golf ball holder shown in FIG. 1;
FIG. 4 is a front side view of the golf ball holder shown in FIG. 1 with golf balls;
FIG. 5 is a side view of the golf ball holder shown in FIG. 1 with golf balls;
FIG. 6 is a front view of the golf ball holder shown in FIG. 1;
FIG. 7 is side view of the golf ball holder shown in FIG. 1;
FIG. 8 is a back view of the golf ball holder shown in FIG. 1;
FIG. 9 is a top view of the golf ball holder shown in FIG. 1;
FIG. 10 is a bottom view of the golf ball holder shown in FIG. 1; and,
FIG. 11 is a perspective view of the golf ball holder shown in FIG. 1 attached to a golf bag and holding golf balls.
The broken lines in the drawings are used to illustrate unclaimed environment and form no part of the claimed design.

1 Claim, 7 Drawing Sheets



(56)

References Cited

U.S. PATENT DOCUMENTS

3,342,345 A * 9/1967 Van Dusen A47G 25/743
211/119
3,777,933 A * 12/1973 Joliot A63B 47/001
206/315.9
4,936,499 A * 6/1990 Gulley A45F 5/02
206/364
5,110,123 A * 5/1992 Larson A63B 57/207
172/378
5,328,220 A * 7/1994 McPherson A63B 47/02
294/19.2
5,368,350 A * 11/1994 Ader A63B 47/02
294/19.2
D360,974 S * 8/1995 Stalling D3/221
5,491,878 A * 2/1996 Janouschek A45F 5/022
24/3.3
D370,340 S * 6/1996 Berger D3/221
D374,345 S * 10/1996 Ostrosky D3/221
D374,604 S * 10/1996 Hnatowicz D3/228
5,996,955 A * 12/1999 Chen A47B 47/005
248/249
5,997,062 A * 12/1999 Schwartz A63B 47/02
294/19.2
D517,870 S * 3/2006 Perkins D7/637
D521,589 S * 5/2006 Su D21/721
D552,345 S * 10/2007 Albert D3/228

D564,222 S * 3/2008 Slavov D3/228
D638,662 S * 5/2011 Pyle D7/620
D647,164 S * 10/2011 Nook D22/199
D650,577 S * 12/2011 Glander D3/228
D659,994 S * 5/2012 McLemore D3/221
D714,542 S * 10/2014 Barragan D3/228
D727,457 S * 4/2015 Seiders D22/147
D727,713 S * 4/2015 Greene D30/119
D774,753 S * 12/2016 Moreau D3/228
2006/0118443 A1 * 6/2006 Chan A63B 47/001
206/315.9
2006/0289591 A1 * 12/2006 Su A63B 47/001
224/666
2010/0044405 A1 * 2/2010 Albert A45F 5/02
224/666
2016/0263445 A1 * 9/2016 Schuster A63B 47/002
2016/0280422 A1 * 9/2016 Dorrance A47K 17/00
2017/0095068 A1 * 4/2017 Moreau A45F 5/021

OTHER PUBLICATIONS

Golf Ball Holder, CaddyTrek.com, [online], [site visited Sep. 28, 2017]. <URL: <http://www.caddytrek.com/product/golf-ball-holder/>> Year: 2017).*

SnakeBelly Pro, YouTube.com, SnakeBelly Golf, Uploaded on Jan. 21, 2016, [online], [site visited Sep. 28, 2017]. <URL: <https://www.youtube.com/watch?v=d5KJ4hkVdmQ>> (Year: 2017).*

* cited by examiner

Figure 1

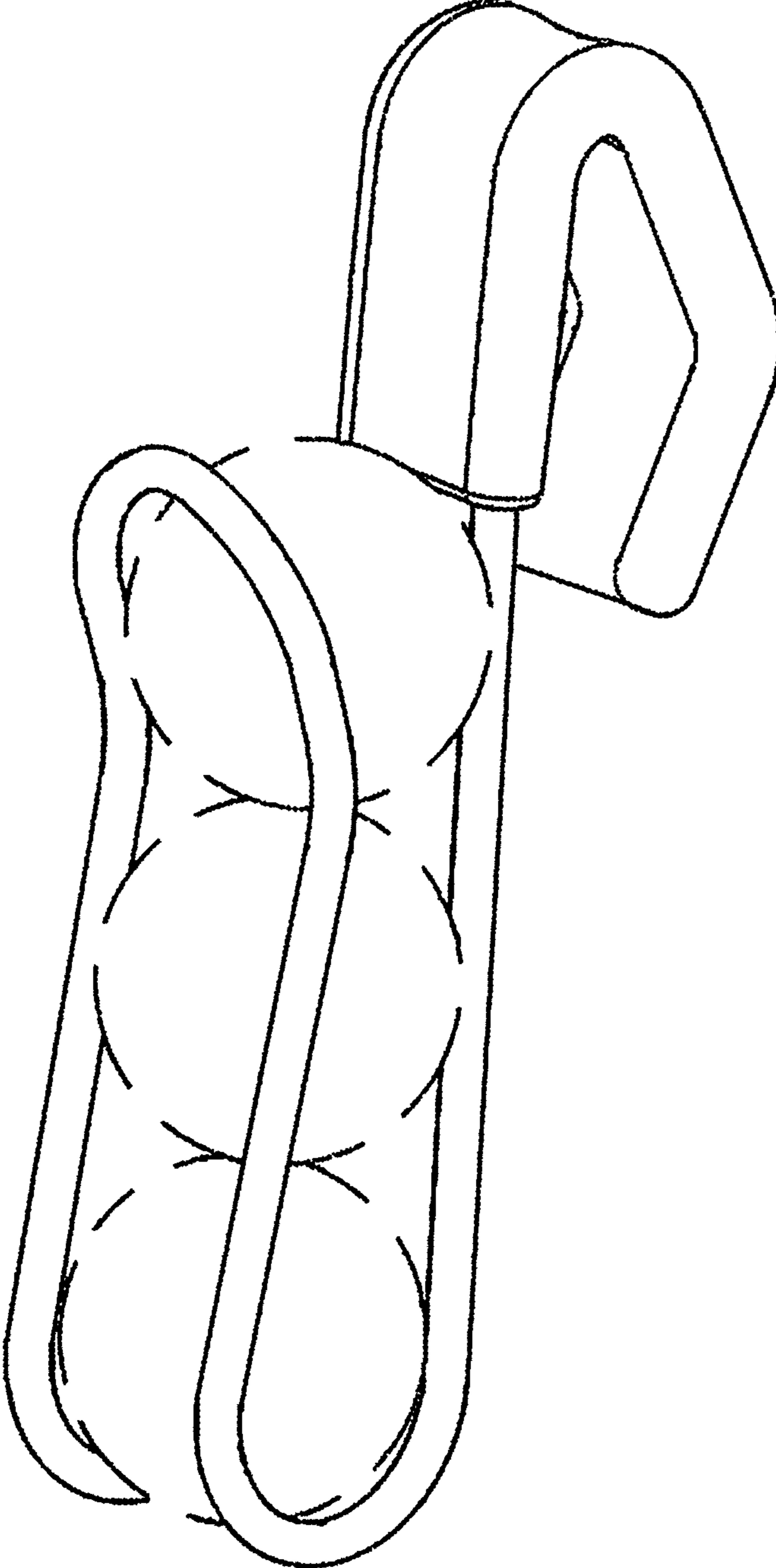


Figure 2

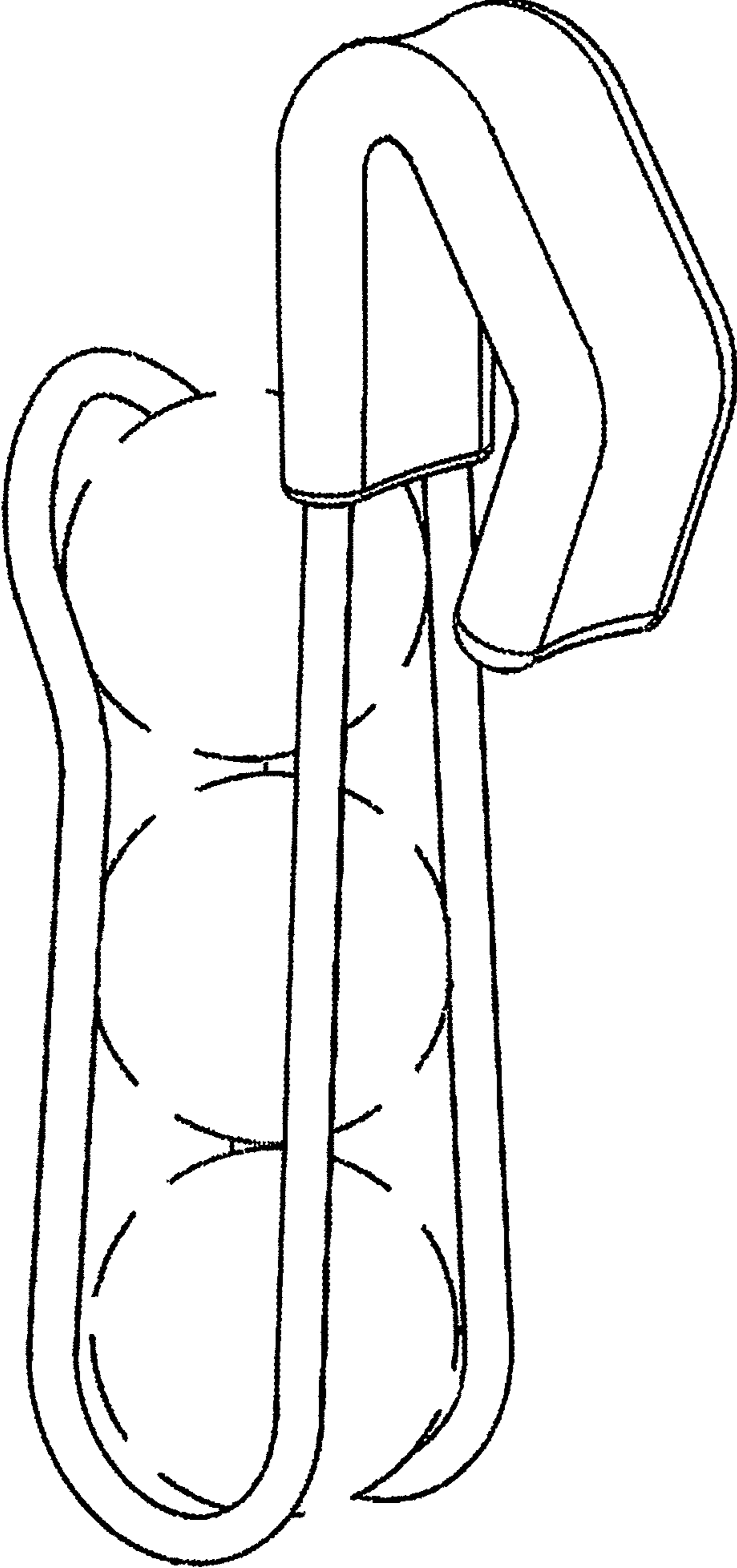


Figure 3

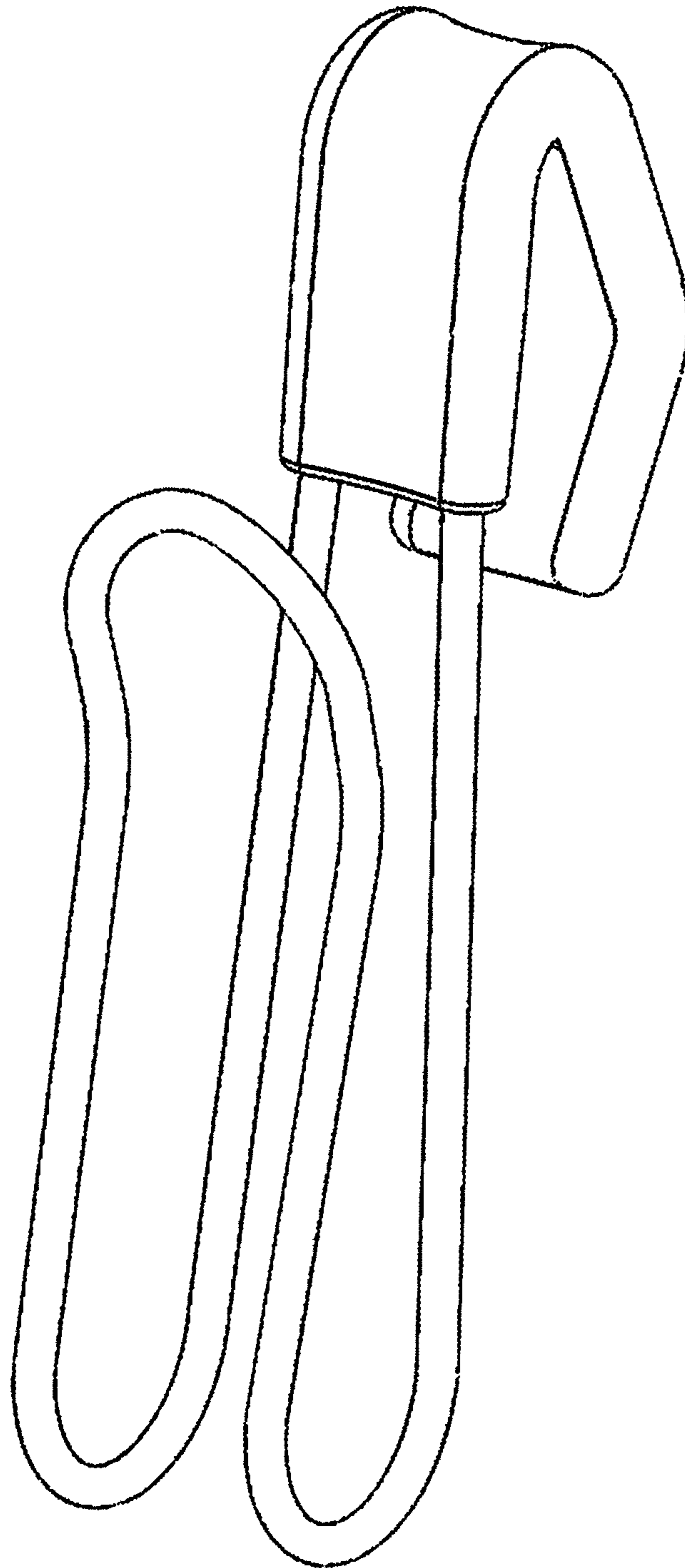


Figure 4

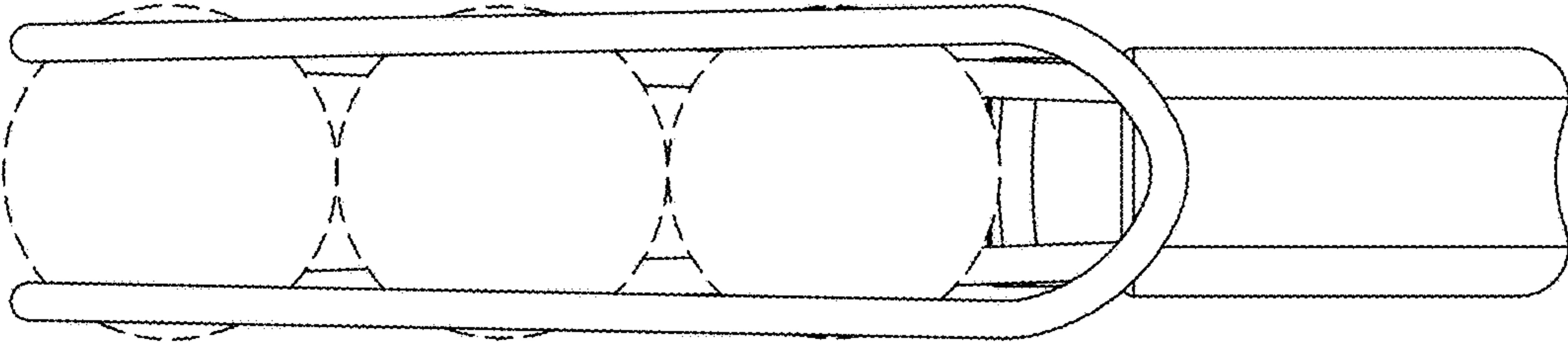


Figure 5

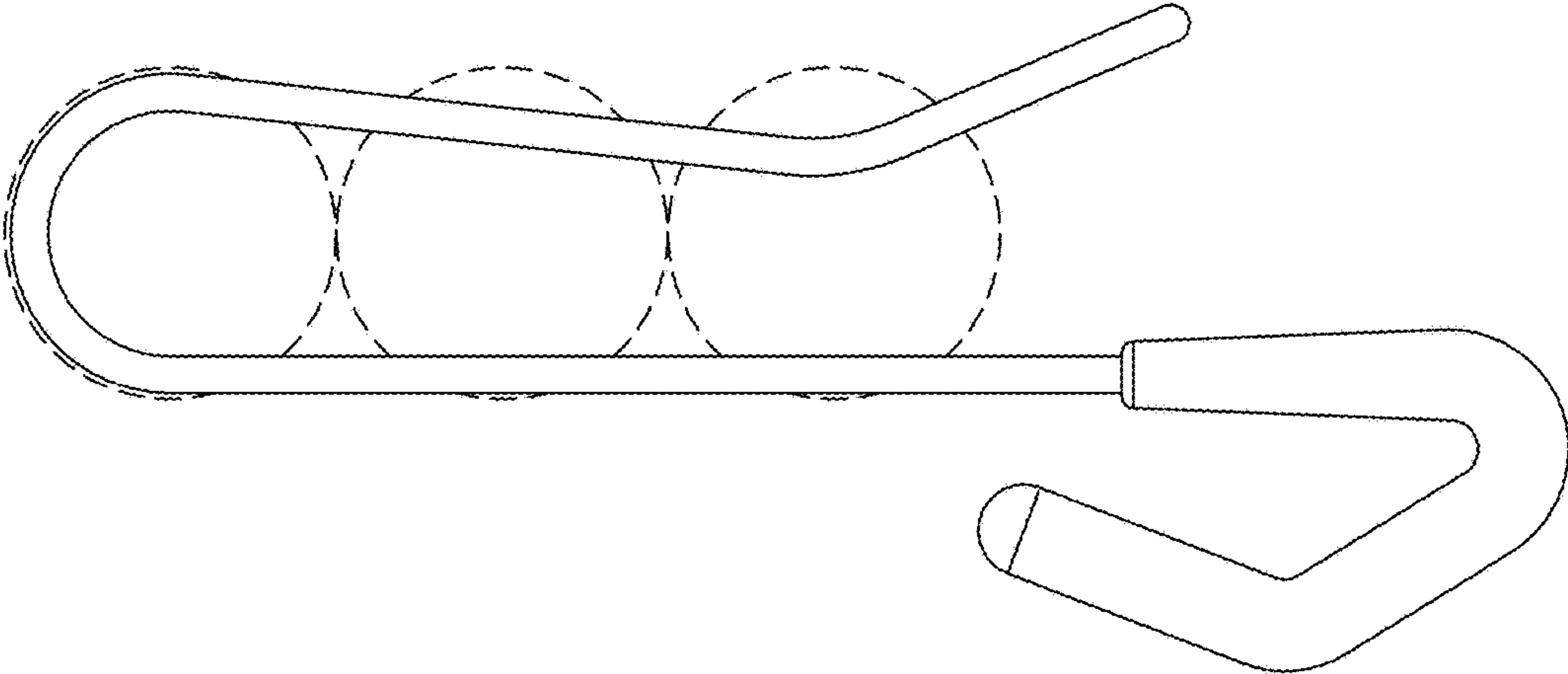


Figure 6

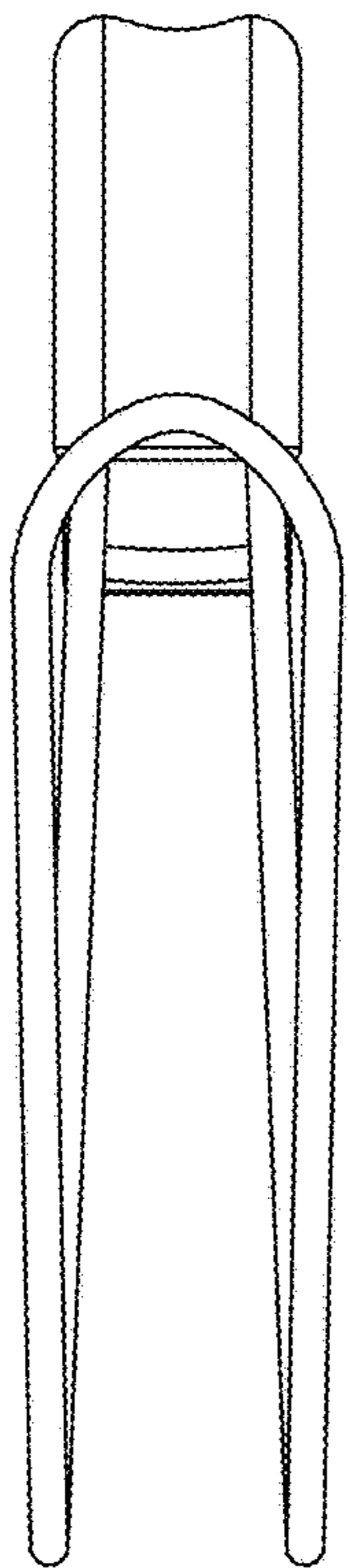


Figure 7

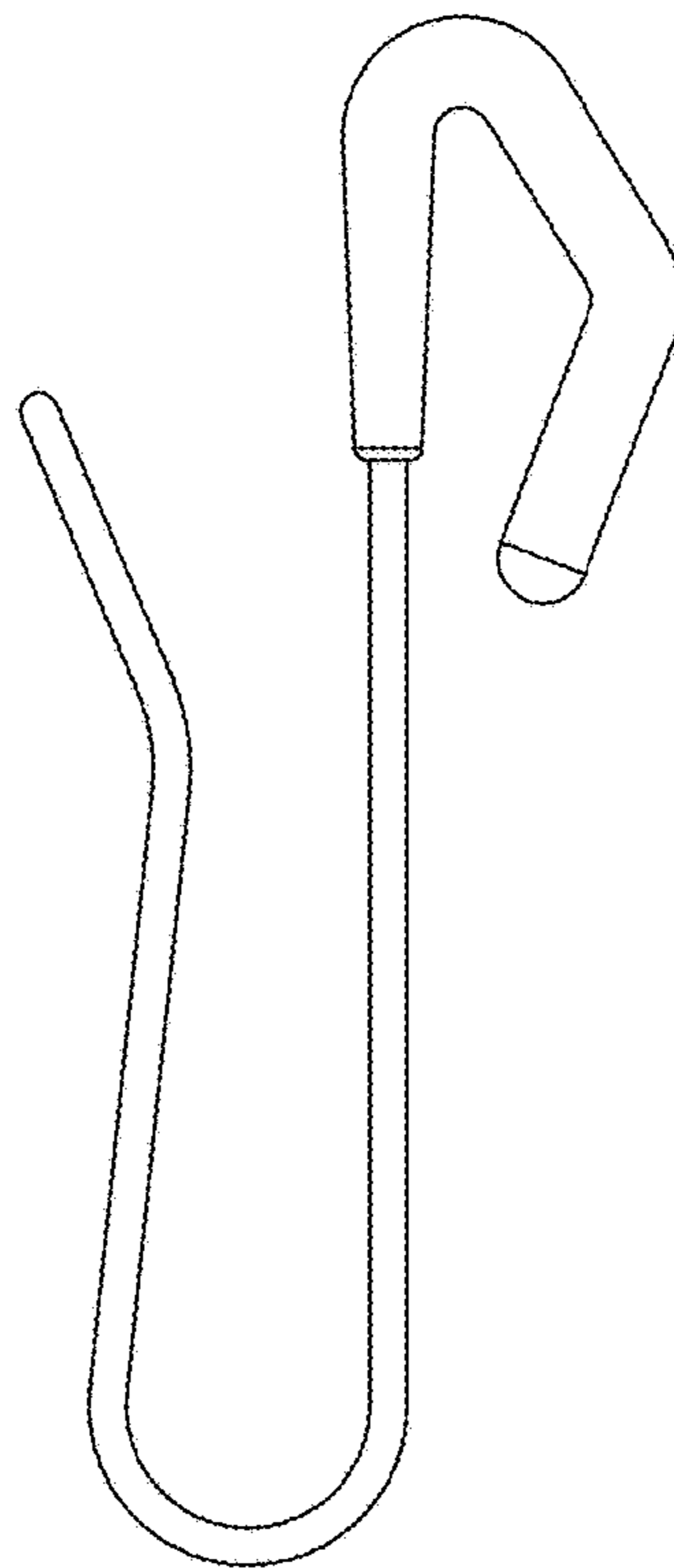


Figure 8

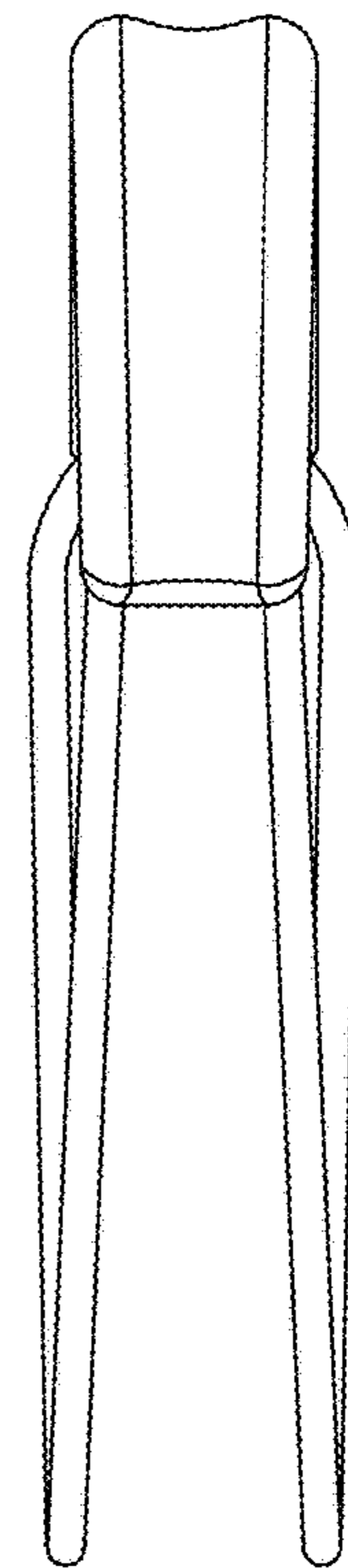


Figure 9

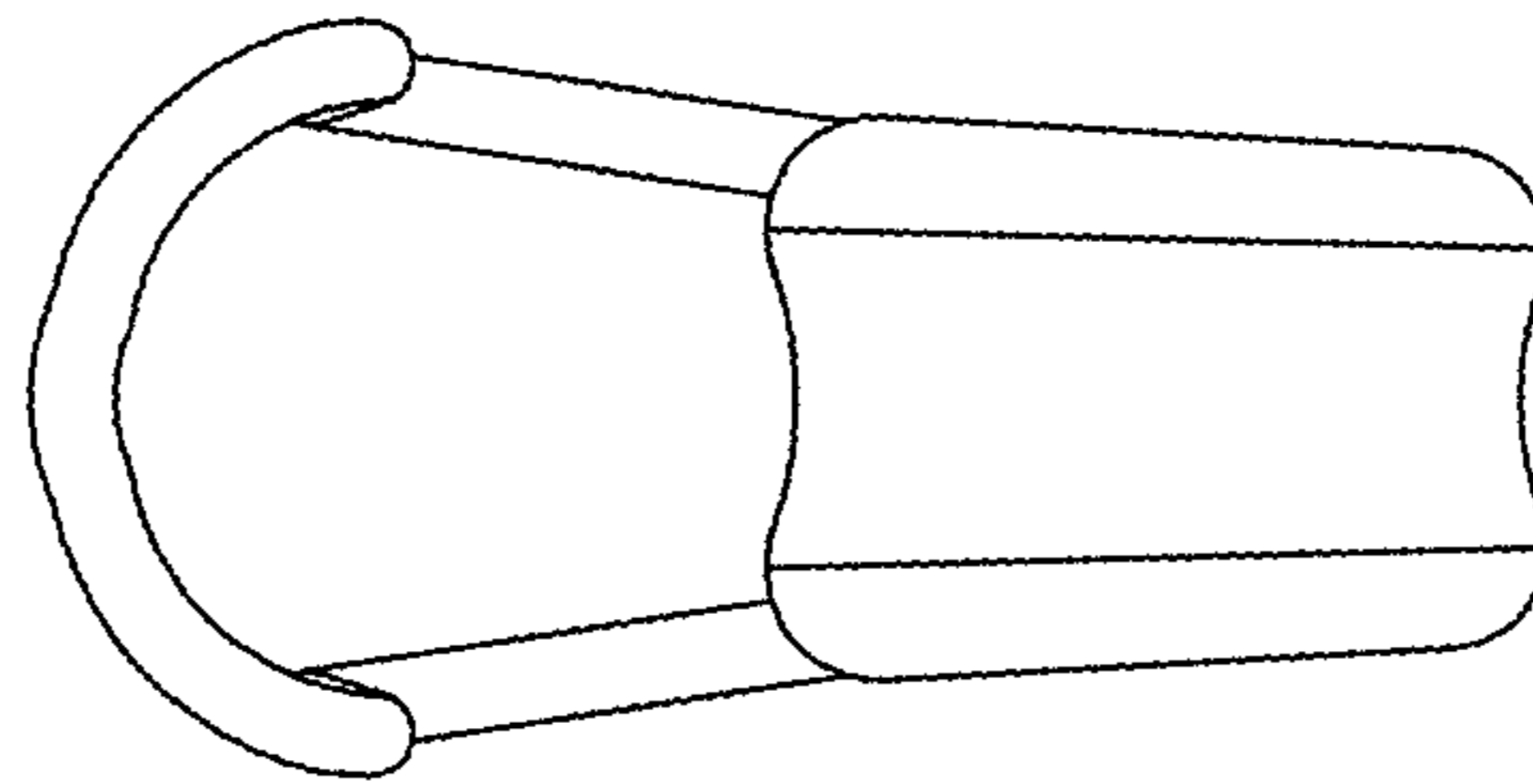


Figure 10

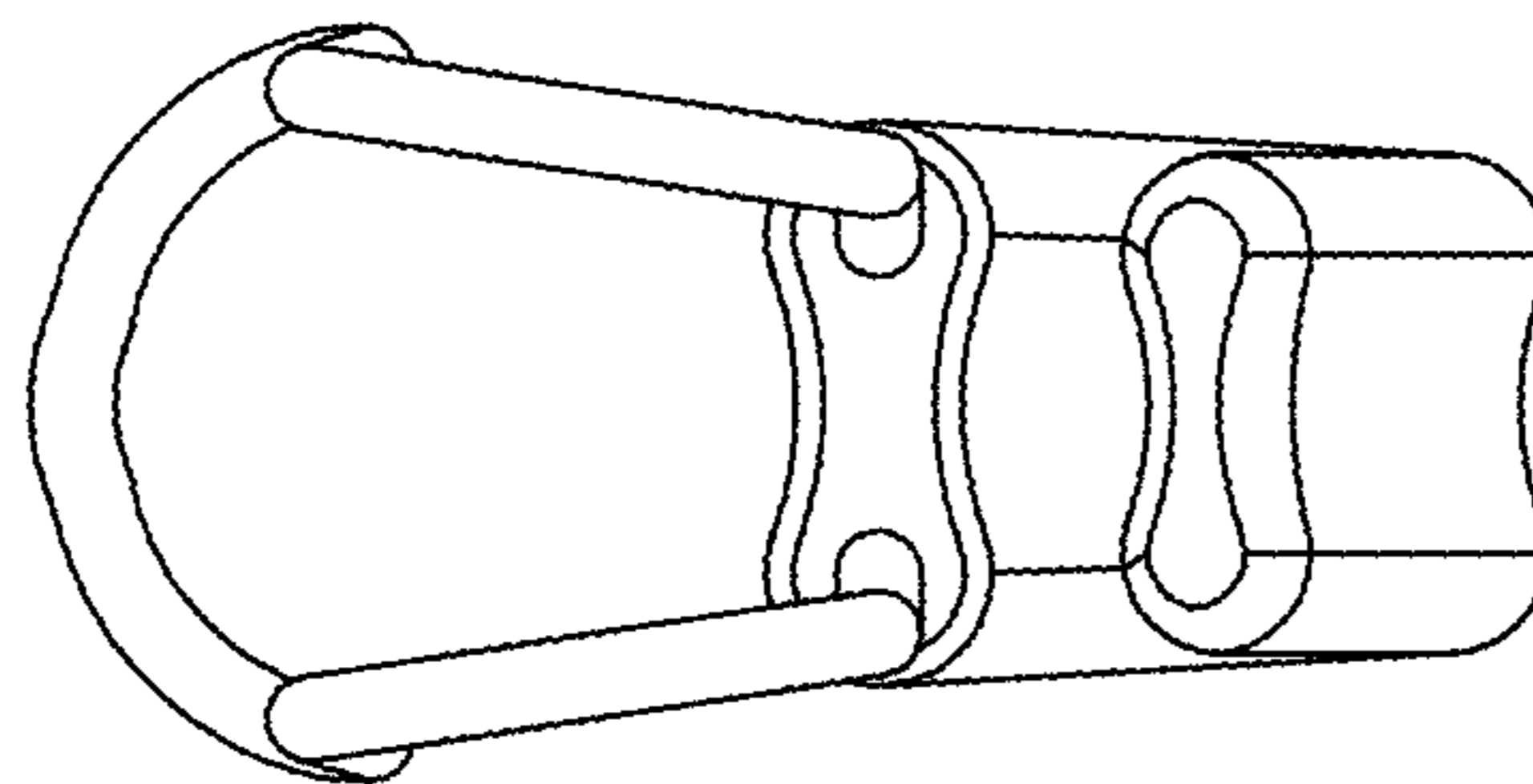


Figure 11

