



US00D812896S

(12) **United States Design Patent**
Hutzler

(10) **Patent No.:** **US D812,896 S**
(45) **Date of Patent:** **** Mar. 20, 2018**

(54) **BANDAGE BOX**
(71) Applicant: **HUTZLER MANUFACTURING CO., INC.**, Canaan, CT (US)
(72) Inventor: **Lindsey Hutzler**, Canaan, CT (US)
(73) Assignee: **Hutzler Manufacturing Co., Inc.**, Canaan, CT (US)
(**) Term: **15 Years**

D664,845 S * 8/2012 Everson B65D 43/162
D7/629
D665,172 S * 8/2012 Fulghum D3/315
D672,554 S * 12/2012 Penttinen D3/273
D699,370 S * 2/2014 Motadel D24/229
D707,847 S * 6/2014 Motadel D24/227
D728,932 S * 5/2015 Horovitz D3/276
D733,316 S * 6/2015 Lui D24/227
D733,318 S * 6/2015 Lui D24/227
D748,280 S * 1/2016 Lui D24/227
D761,023 S * 7/2016 Tramontana D3/203.1
D778,599 S * 2/2017 Heyman D3/243
D784,629 S * 4/2017 Farrish D3/273

(21) Appl. No.: **29/586,830**
(22) Filed: **Dec. 7, 2016**
(51) **LOC (11) Cl.** **03-01**
(52) **U.S. Cl.**
USPC **D3/203.1; D9/420**
(58) **Field of Classification Search**
USPC D3/202, 203, 213, 214, 215, 201, 226,
D3/228, 224, 327, 229, 273, 290, 294,
D3/243, 245, 246, 266, 904, 304, 307,
D3/308, 309, 315; D7/509, 510, 511
CPC A45D 42/00; A45D 42/18; A61B 1/24;
D04B 3/02; G05G 9/04788; A44B 11/25
See application file for complete search history.

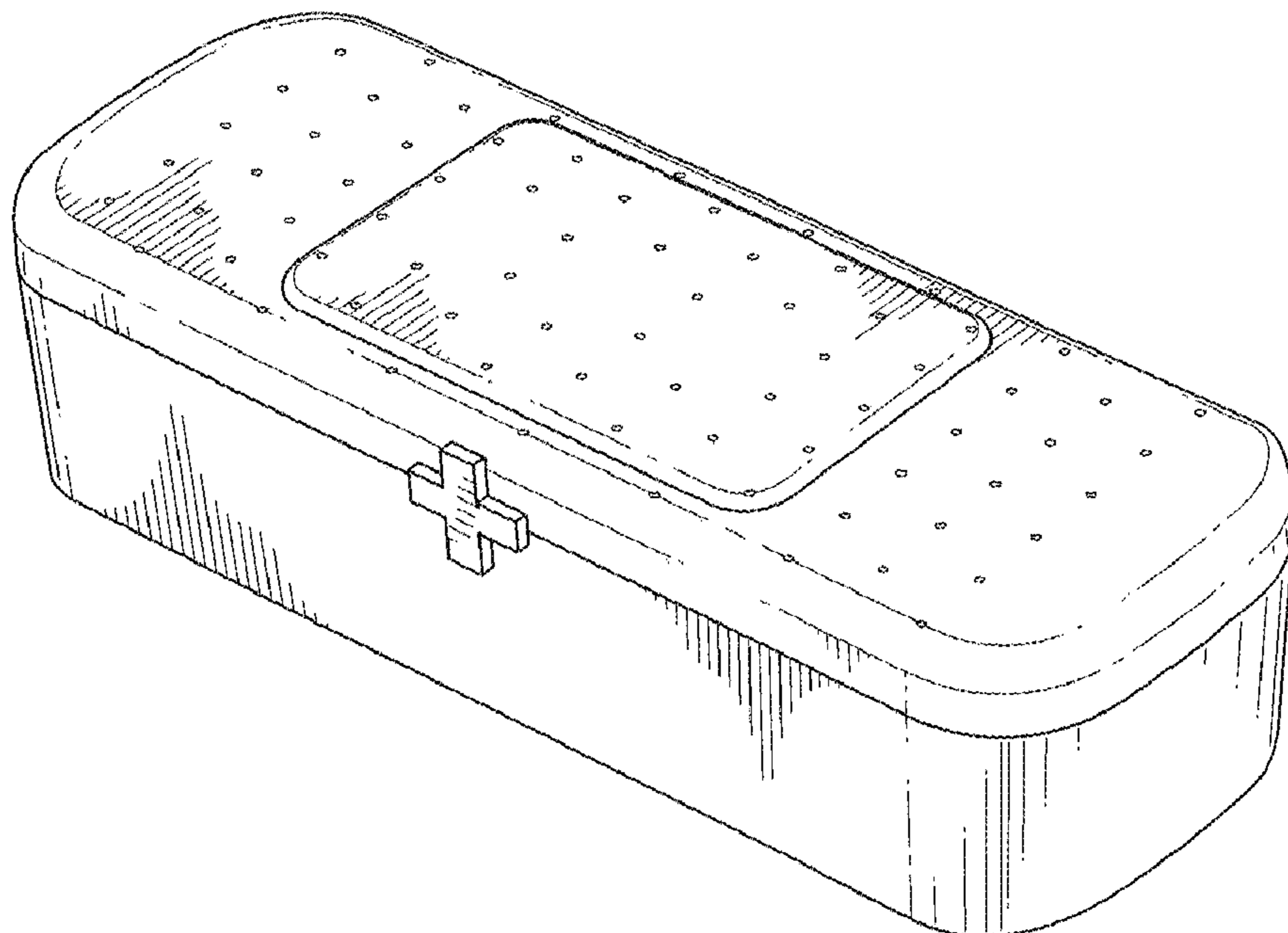
* cited by examiner
Primary Examiner — John Windmuller
Assistant Examiner — Benjamin Weeks
(74) *Attorney, Agent, or Firm* — Michael J. Striker;
Elizabeth C. Richter

(56) **References Cited**
U.S. PATENT DOCUMENTS
D93,084 S * 8/1934 Baum D3/203.1
D295,074 S * 4/1988 Jerge D24/217
D377,861 S * 2/1997 Jacober D3/203.1
D484,797 S * 1/2004 Kipperman D9/424
D551,515 S * 9/2007 Ablo D7/629
D562,545 S * 2/2008 Dawson D3/203.1
D618,516 S * 6/2010 DiPietro D7/629

(57) **CLAIM**
The ornamental design for a bandage box, as shown and described.

DESCRIPTION
FIG. 1 is a three-quarter perspective view of a bandage box showing my new design;
FIG. 2 is a front elevation view thereof;
FIG. 3 is a rear elevation view thereof;
FIG. 4 is a side elevation view thereof which is a mirror image of the opposite side view thereof;
FIG. 5 is a right side elevation view thereof;
FIG. 6 is a top plan view thereof; and,
FIG. 7 is a bottom plan view thereof.

1 Claim, 4 Drawing Sheets



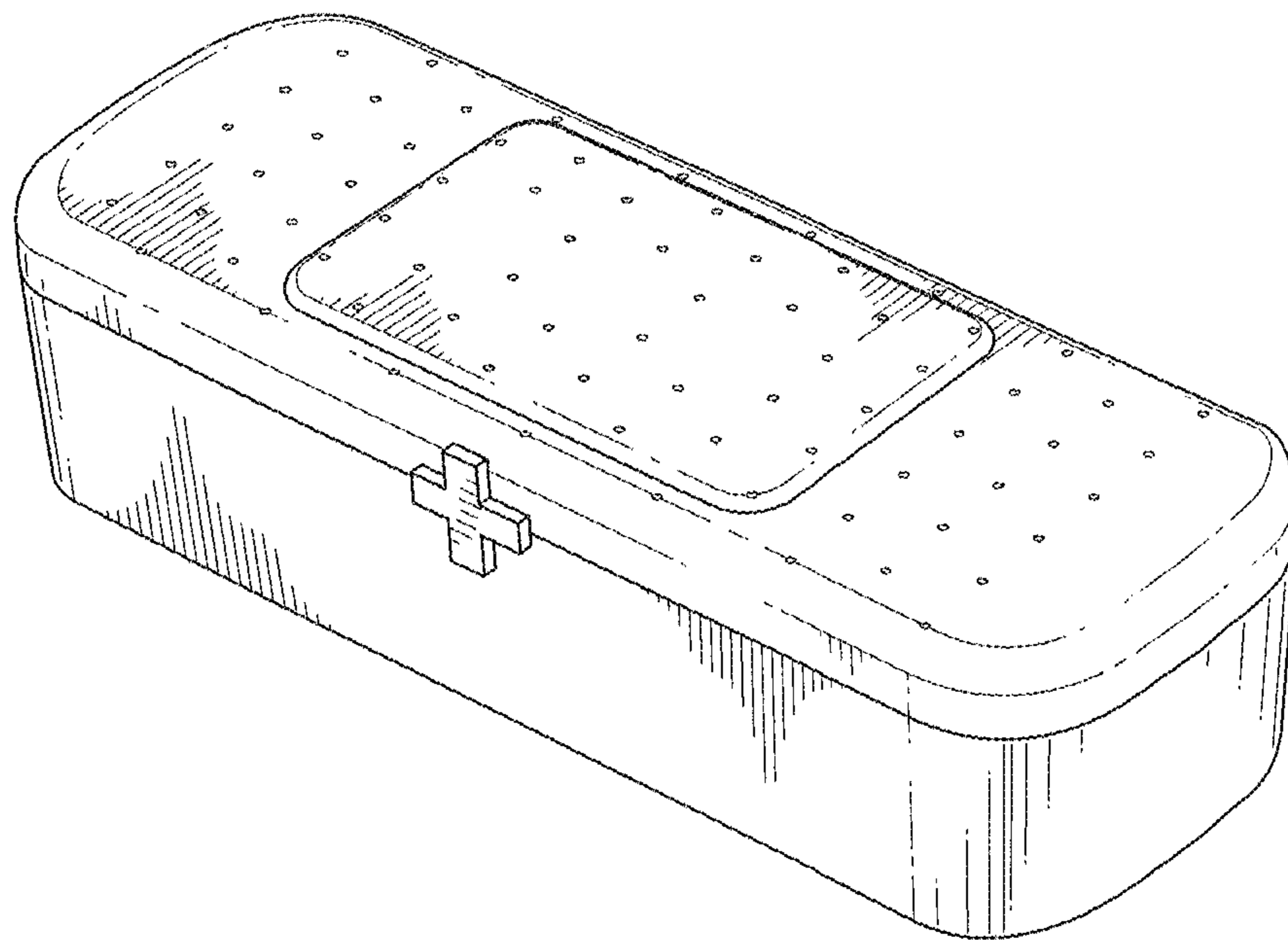


FIG. 1

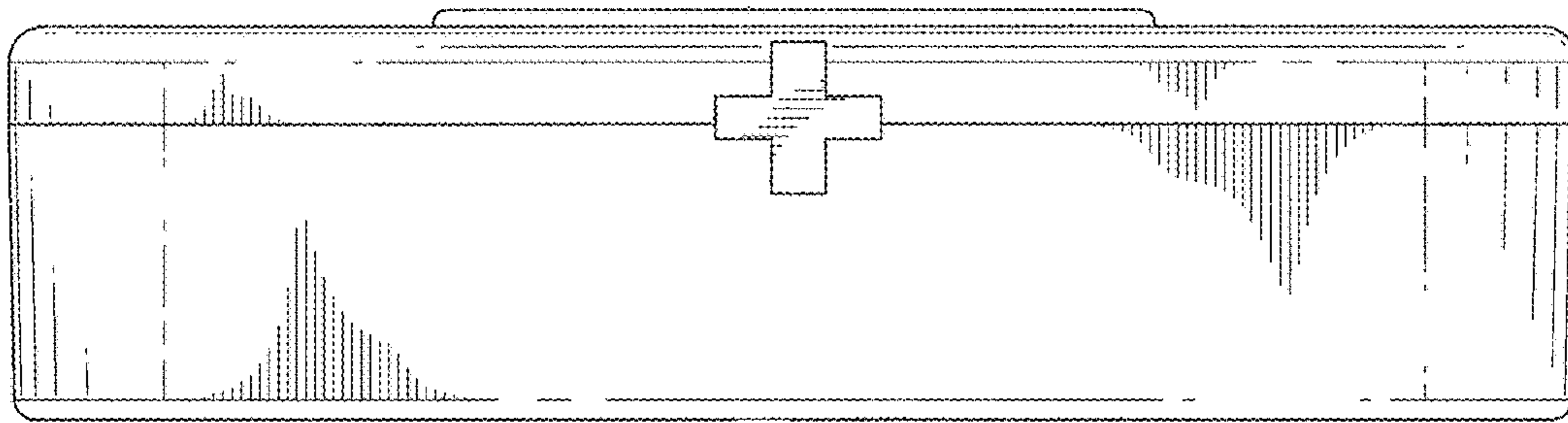


FIG. 2

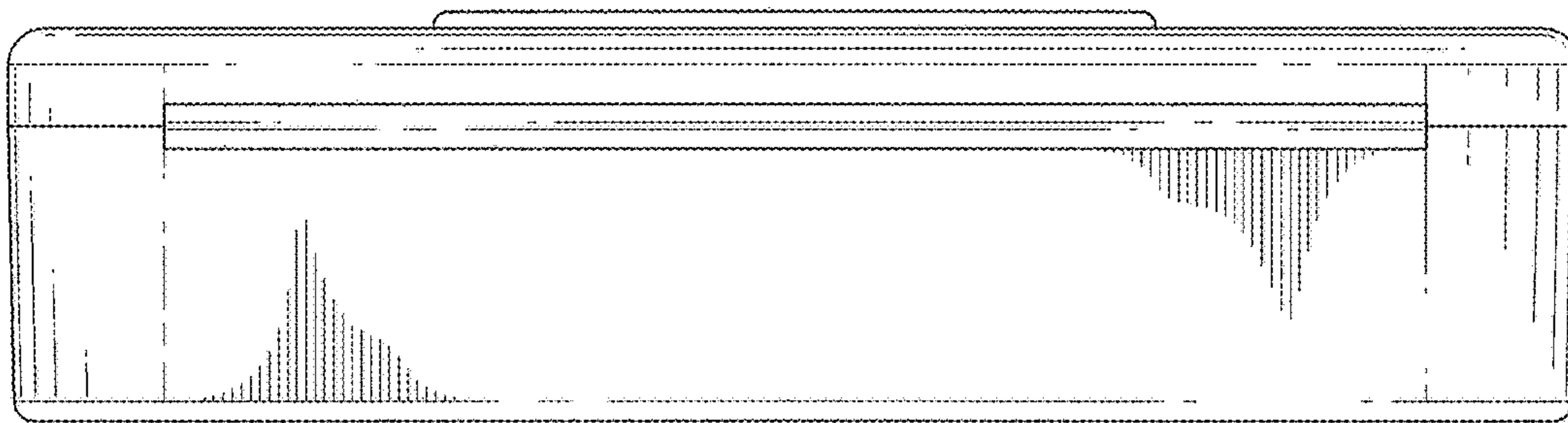


FIG. 3

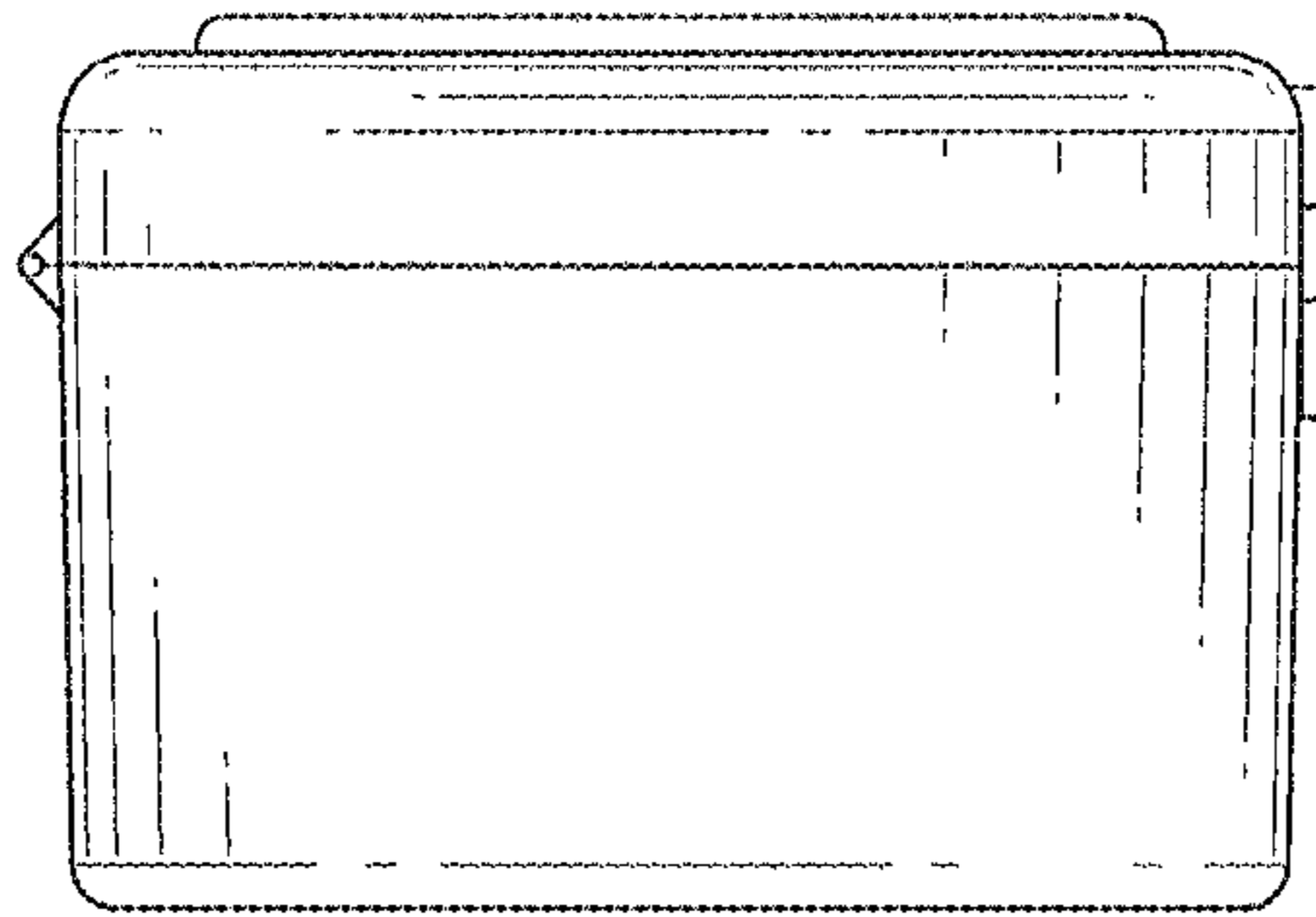


FIG. 4

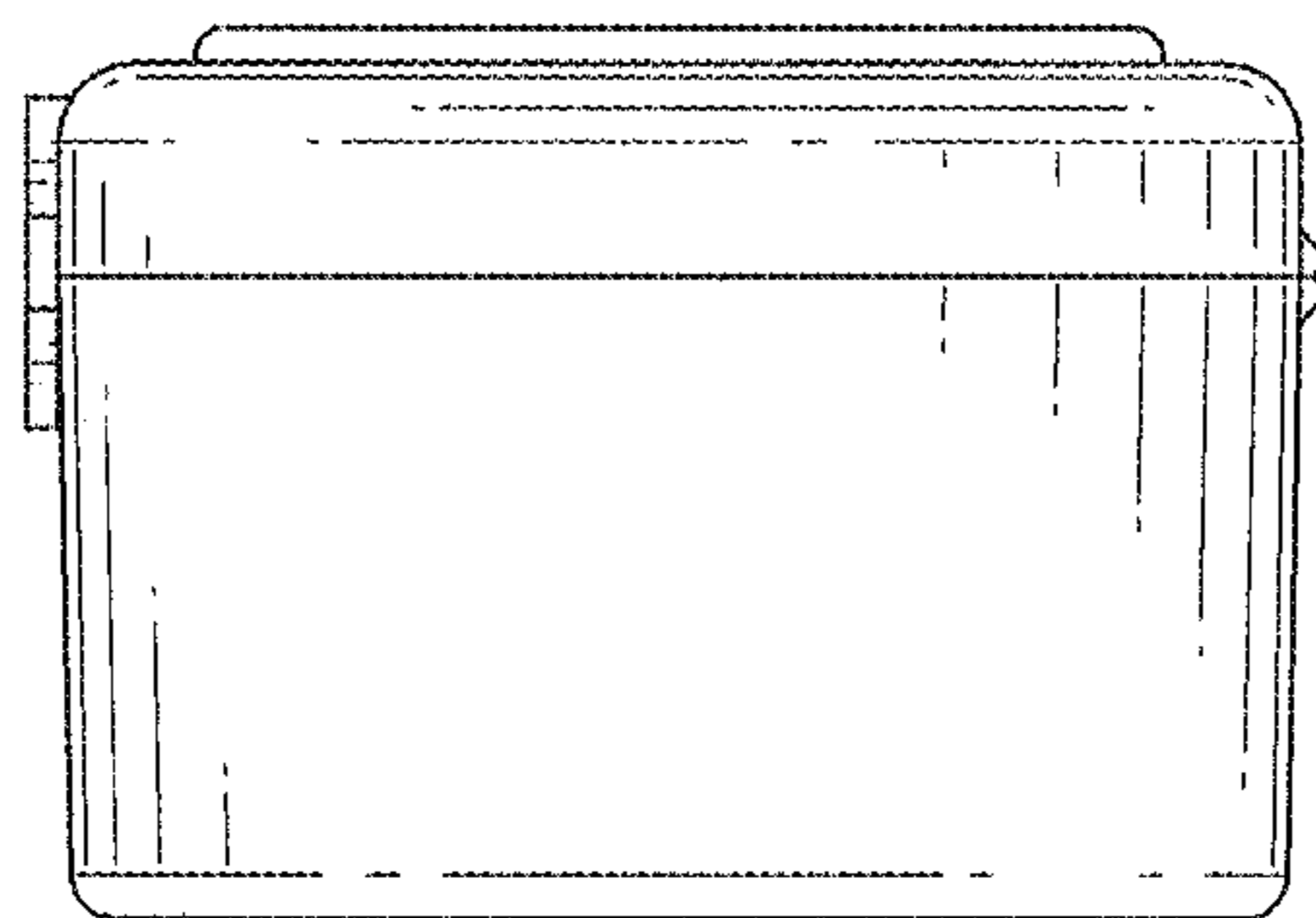


FIG. 5

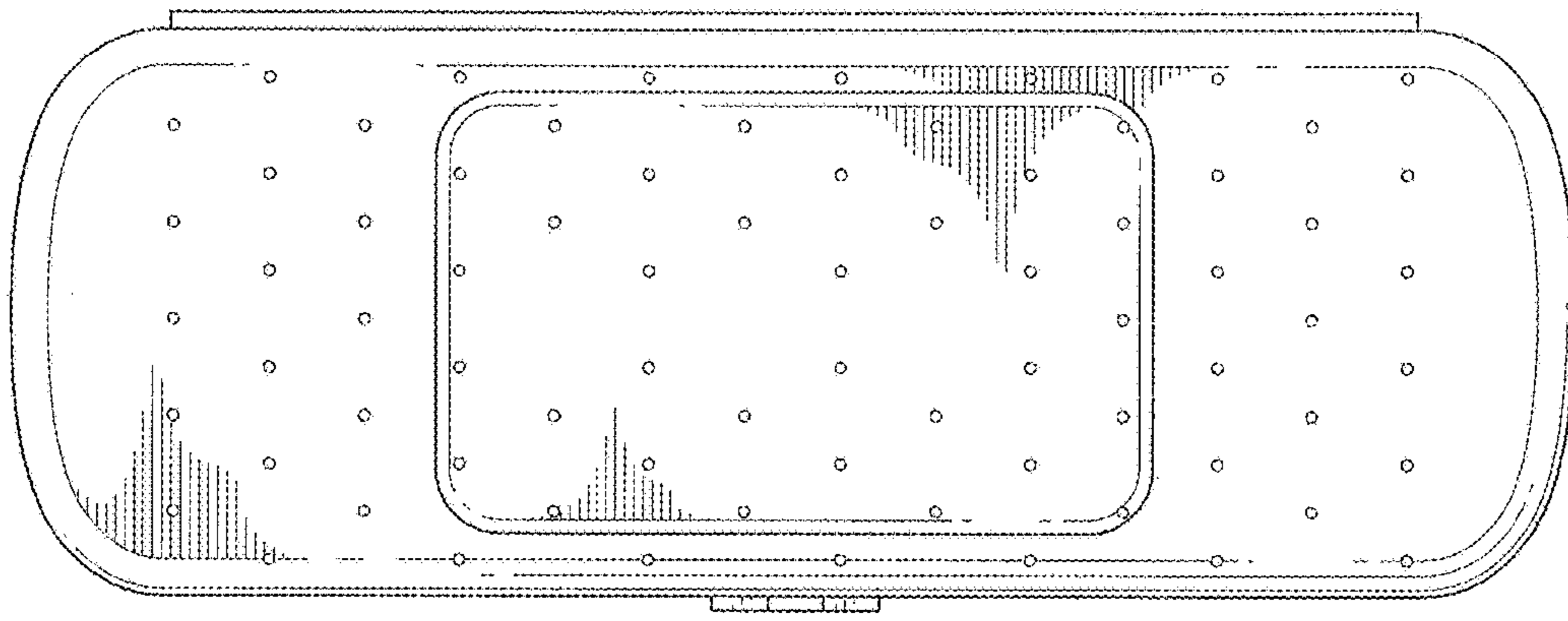


FIG. 6

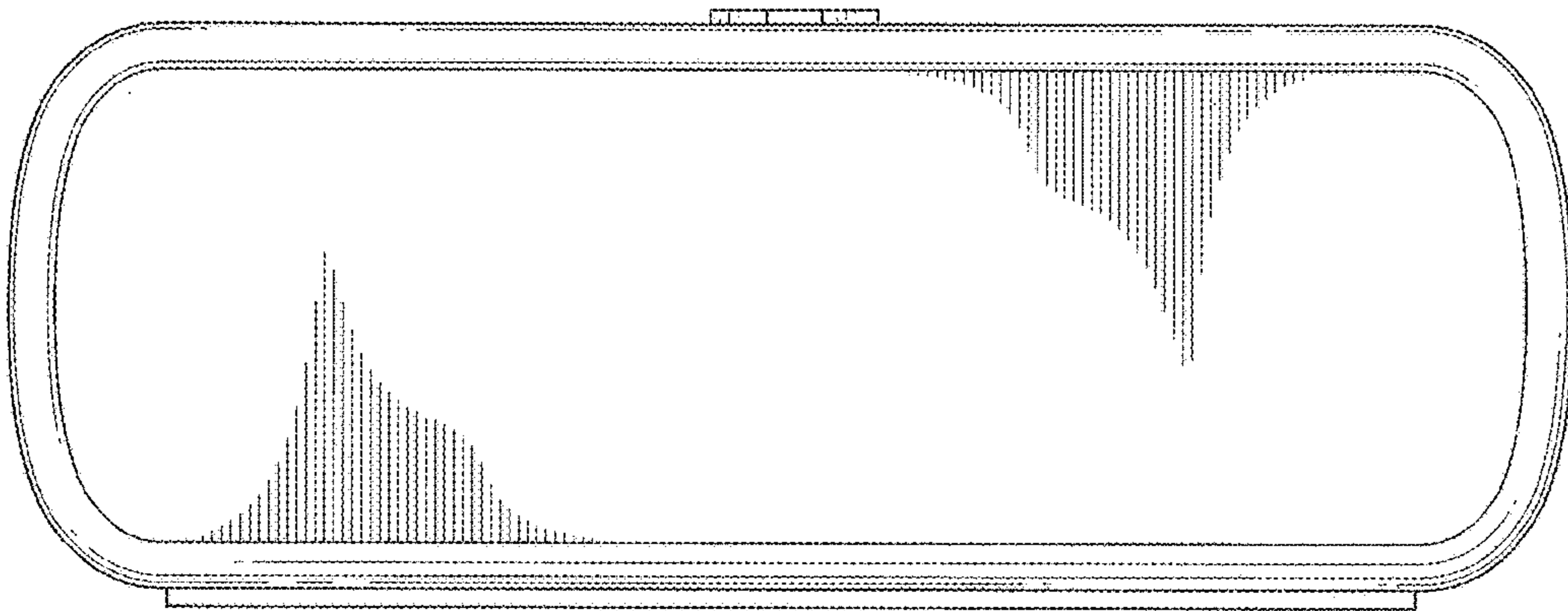


FIG. 7