



US00D812891S

(12) **United States Design Patent**  
**Blauer et al.**

(10) **Patent No.:** **US D812,891 S**  
(45) **Date of Patent:** **\*\* Mar. 20, 2018**

(54) **SHOE UPPER WITH LACING STRUCTURE**

(71) Applicant: **Converse Inc.**, Boston, MA (US)  
(72) Inventors: **Katie Blauer**, Lexington, MA (US);  
**Alyssa Makere**, Boston, MA (US)  
(73) Assignee: **Converse Inc.**, Boston, MA (US)  
(\*\*) Term: **15 Years**

(21) Appl. No.: **29/586,418**  
(22) Filed: **Dec. 2, 2016**  
(51) **LOC (11) Cl.** ..... **02-04**  
(52) **U.S. Cl.**  
USPC ..... **D2/973**  
(58) **Field of Classification Search**  
USPC ..... D2/973, 975, 969, 902, 906-908, 944,  
D2/946, 972, 974  
CPC ... A43B 13/181; A43B 13/141; A43B 13/186;  
A43B 13/188; A43B 23/00; A43B 23/02;  
A43B 5/00; A43B 23/26; A43B 1/04;  
A43B 7/00  
See application file for complete search history.

(56) **References Cited**

**U.S. PATENT DOCUMENTS**

D107,763 S *	1/1938	Feldman	.....	D2/973
2,461,977 A *	2/1949	Gilmour	.....	A43B 3/0078 24/507
D365,919 S *	1/1996	Chen	.....	D2/904
D582,139 S *	12/2008	Choi	.....	A43B 3/0078 D2/946
D705,617 S *	5/2014	Noel	.....	D7/682
D740,536 S *	10/2015	Rickmon-Swan	.....	D2/970
D744,227 S *	12/2015	Goto	.....	D2/978
D762,962 S *	8/2016	McClaskie	.....	D2/911
D770,156 S *	11/2016	McClaskie	.....	D2/970

**OTHER PUBLICATIONS**

Converse posted by Rachel Friedland posted date Sep. 11, 2012, © Lost SuperMarket, [online], [site visited Jan. 3, 2018]. Available from Internet <http://lostinasupermarket.com/2012/09/converse-japan-mountain-parka-hi-m-lace-high-top-sneakers/> (Year: 2012).\*

(Continued)

*Primary Examiner* — Cynthia Ramirez

*Assistant Examiner* — Laura H Yu

(74) *Attorney, Agent, or Firm* — Banner & Witcoff, Ltd.

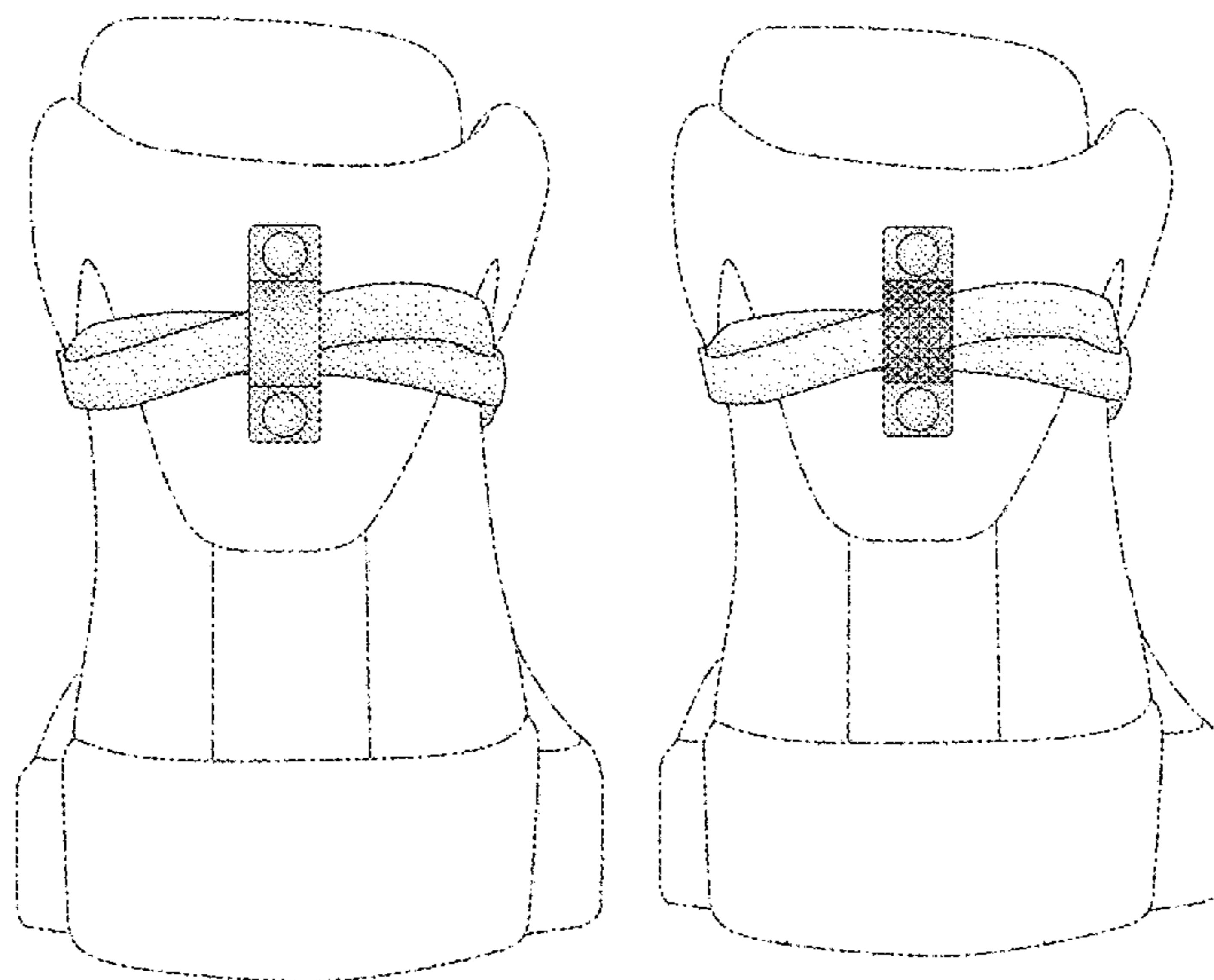
(57) **CLAIM**

The ornamental design for a shoe upper with lacing structure, as shown and described.

**DESCRIPTION**

FIG. 1 is a lateral side view of a shoe upper with lacing structure showing our new design;  
FIG. 2 is a rear view thereof;  
FIG. 3 is a medial side view thereof;  
FIG. 4 is a rear view of the rear lace holding element of FIGS. 1-3 shown in isolation and enlarged for clarity purposes;  
FIG. 5 is a lateral side view of an alternative embodiment of a shoe upper with lacing structure showing my new design;  
FIG. 6 is a rear view thereof;  
FIG. 7 is a medial side view thereof;  
FIG. 8 is a rear perspective view thereof; and,  
FIG. 9 is a rear view of the rear lace holding element of FIGS. 5-8 shown in isolation and enlarged for clarity purposes.  
The broken lines immediately adjacent to the shaded area represent unclaimed boundaries of the design. The broken lines showing the remainder of the shoe represent unclaimed subject matter and form no part of the claimed design.

**1 Claim, 9 Drawing Sheets**



(56)

**References Cited**

## OTHER PUBLICATIONS

Casual Boot posted by Polar Fox posted date Jul. 15, 2014, © Amazon, [online], [site visited Jan. 3, 2018]. Available from Internet [https://www.amazon.com/Polar-Fox-508013-Around-Sneaker/dp/B00LV5N492/ref=sr\\_1\\_7?ie=UTF8&qid=1515026596&sr=8-7&keywords=wrap+around+lace+shoe](https://www.amazon.com/Polar-Fox-508013-Around-Sneaker/dp/B00LV5N492/ref=sr_1_7?ie=UTF8&qid=1515026596&sr=8-7&keywords=wrap+around+lace+shoe) (Year: 2014).\*

Brookline Mid posted by Converse posted date unknown, © Nordstrom Rack, [online], [site visited Jan. 3, 2018]. Available from Internet <https://www.nordstromrack.com/shop/product/2276357/converse-chuck-taylor-all-star-brookline-mid-mason-sneaker?color=MASON-BLACK-WHI> (Year: 2017).\*

Brookline Sneaker posted by Converse posted date Jul. 21, 2017, © Amazon, [online], [site visited Jan. 3, 2018]. Available from Internet [https://www.amazon.com/Converse-Womens-Taylor-Brookline-Sneaker/dp/B0745344B1/ref=sr\\_1\\_8?ie=UTF8&qid=1515027961&sr=8-8&keywords=brookline](https://www.amazon.com/Converse-Womens-Taylor-Brookline-Sneaker/dp/B0745344B1/ref=sr_1_8?ie=UTF8&qid=1515027961&sr=8-8&keywords=brookline) (Year: 2017).\*

Womens Converse Chuck Taylor All Star Shroud High Top Lifestyle Shoe 553261C-102 White [online], [retrieved Jul. 12, 2017], Retrieved from Bioworldfootwear.com <URL: [www.bioworldfootwear.com/converse-chuck-taylor-all-star-shroud-high-top-women-s-shoe-white.html](http://www.bioworldfootwear.com/converse-chuck-taylor-all-star-shroud-high-top-women-s-shoe-white.html)>; 1 color sheet; Date unknown but prior to Nov. 21, 2016.

Converse High Top Rubber Black 654307C Chuck Taylor All Star Storm Jumper [online], [retrieved Jul. 12, 2017], Retrieved from Menkonsaleuk.com <URL: <http://www.menkonsaleuk.com/converse-high-top-rubber-black-654307c-chuck-taylor-all-star-storm-jumper-yth-jr-kids-on-sale-uk.html>>; 1 color sheet, Date unknown but prior to Nov. 21, 2016.

Converse Chuck Taylor All Star Quantum Womens Sneakers 153654C Obsidian [online], [retrieved Jul. 12, 2017], Retrieved

from Fashionsneakersclub.com <URL: <http://www.fashionsneakersclub.com/converse-chuck-taylor-all-star-quantum-womens-sneakers-153654c-obsidian.html>>; 1 color sheet, Date unknown but prior to Nov. 21, 2016.

A Quick Look at the Converse Chuck Taylor All Star MA-1 Zip Nylon Pack [online], [retrieved Jul. 12, 2017], Retrieved from Kicksonfire.com <URL: <http://www.kicksonfire.com/converse-chuck-taylor-all-star-ma-1-zip-nylon-pack>>; 3 color sheets, Dated Jul. 30, 2015.

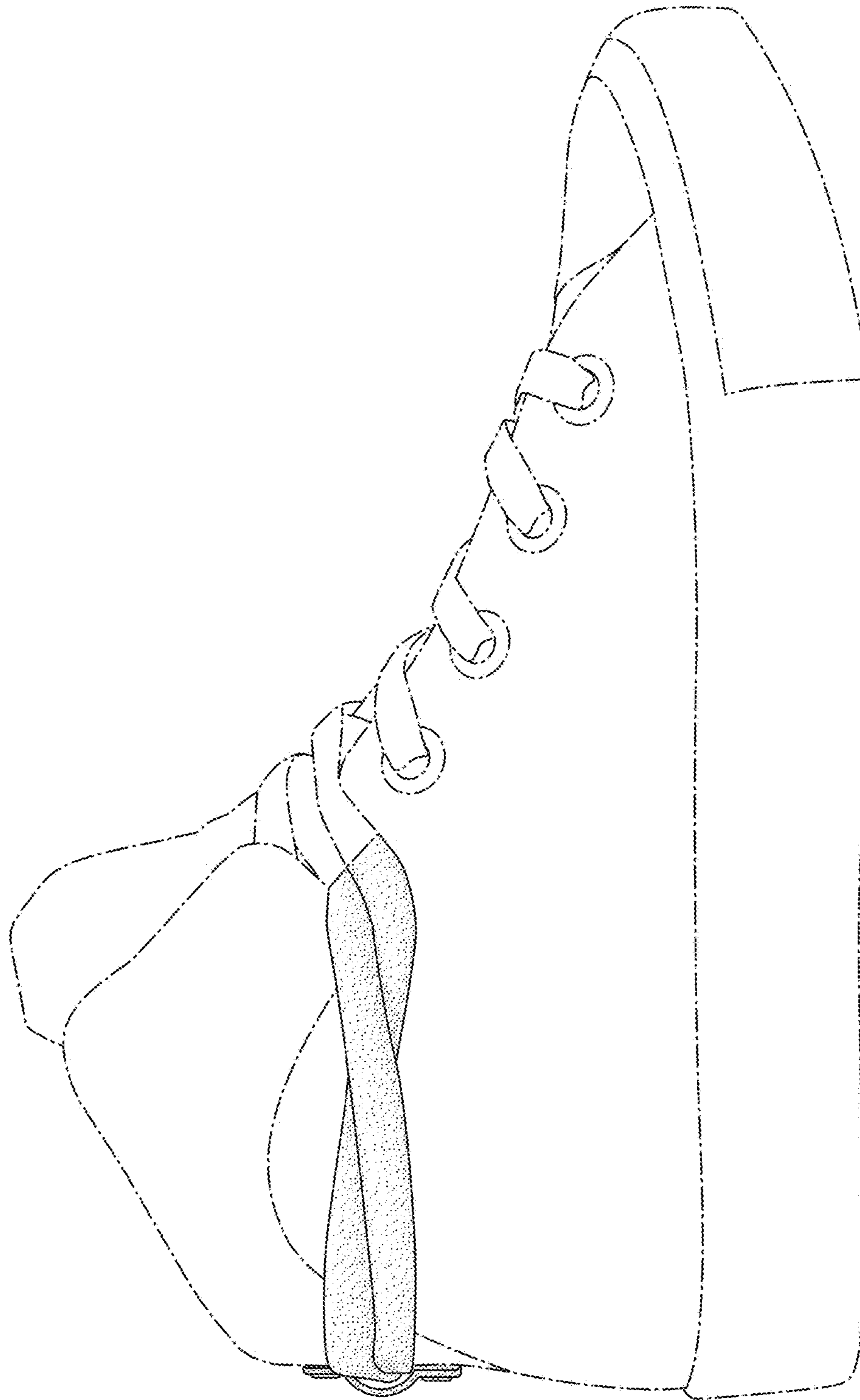
Heres What You Need to Know About the New Converse Chuck Taylor 2 [online], [retrieved Jul. 12, 2017], Retrieved from Sneakernews.com <URL: <http://sneakernews.com/2015/07/24/heres-need-know-new-converse-chuck-taylor-2>>; 10 color sheets, Dated Jul. 24, 2015.

Converses Chuck Taylor All Star 70 Receives a Punk Inspired Makeover [online], [retrieved Jul. 12, 2017], Retrieved from Highsnobiety.com <URL: <http://www.highsnobiety.com/2016/02/20/converse-chuck-taylor-all-star-70-creep/>>; 3 color sheets, Dated Feb. 20, 2016.

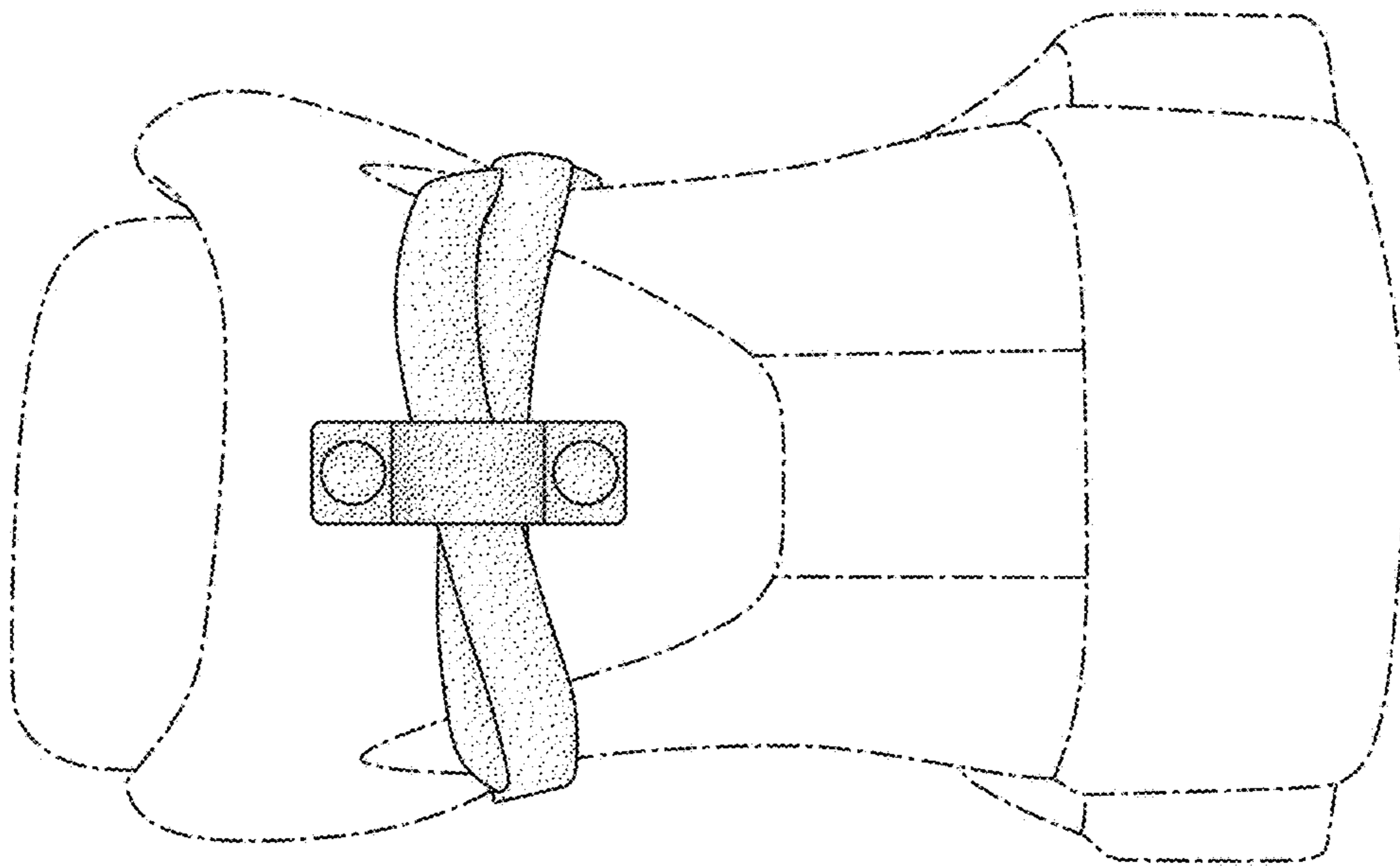
Converse Chuck Taylor All Star Converse Boot 2.0 Shoe [online], [retrieved Jul. 12, 2017], Retrieved from Surfdom.com <URL: [http://www.surfdome.com/converse\\_chuck\\_taylor\\_all\\_star\\_converse\\_boot\\_2\\_0\\_shoes\\_-\\_sand\\_dune/\\_sand\\_dune-229470](http://www.surfdome.com/converse_chuck_taylor_all_star_converse_boot_2_0_shoes_-_sand_dune/_sand_dune-229470)>; 1 color sheet, Date unknown but prior to Nov. 21, 2016.

Classic Converse Leather All Star Chuck Taylor Soft Nap Inside Velvet Brown High Tops Winter Boots [online], [retrieved Jul. 12, 2017], Retrieved from Surfdom.com <URL: <http://www.conversehightopsneakersoutlet.com/classic-converse-leather-all-star-chuck-taylor-soft-nap-inside-velvet-brown-high-tops-winter-boots-p-697.html>>; 1 color sheet, Date unknown but prior to Nov. 21, 2016.

\* cited by examiner



**FIG. 1**



**FIG. 2**

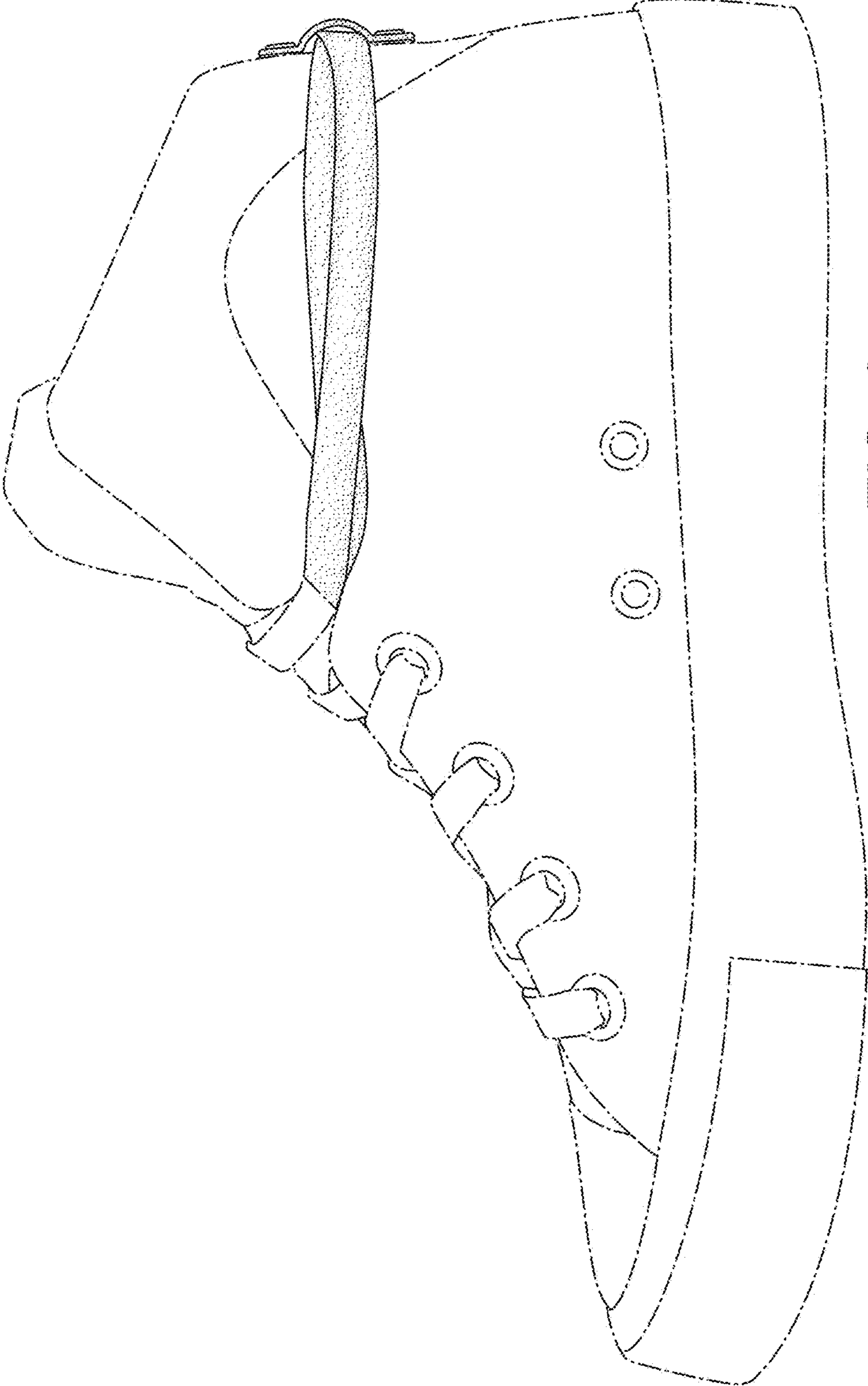
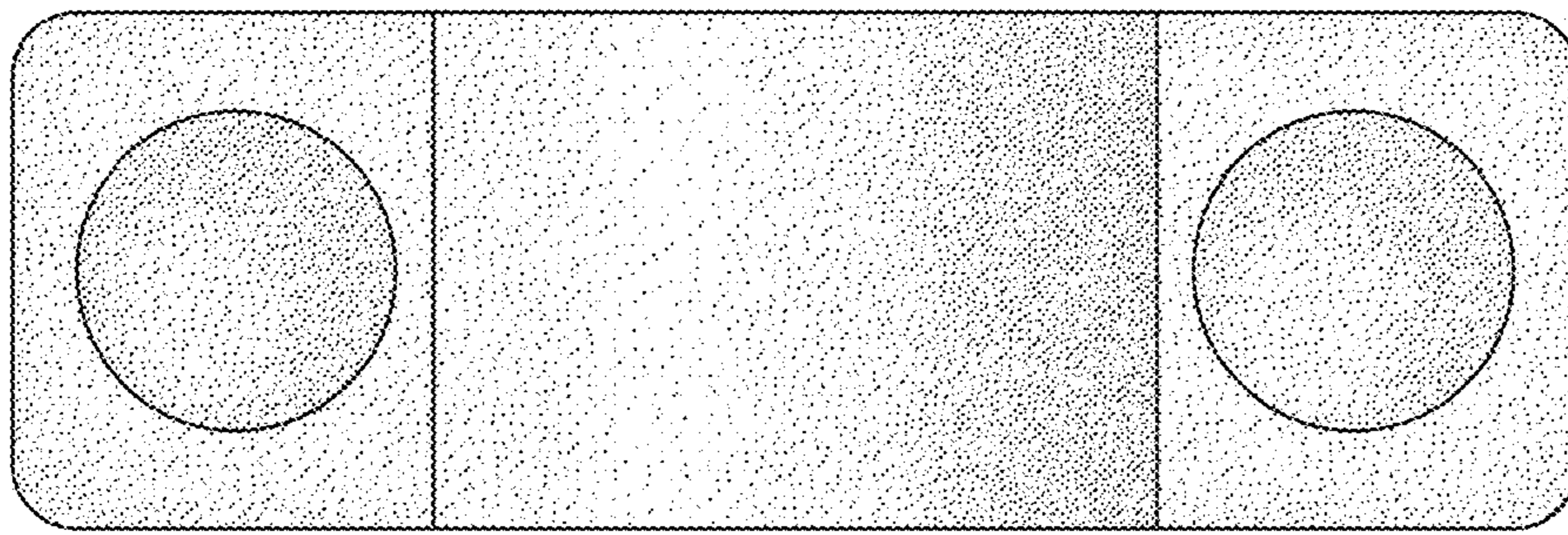
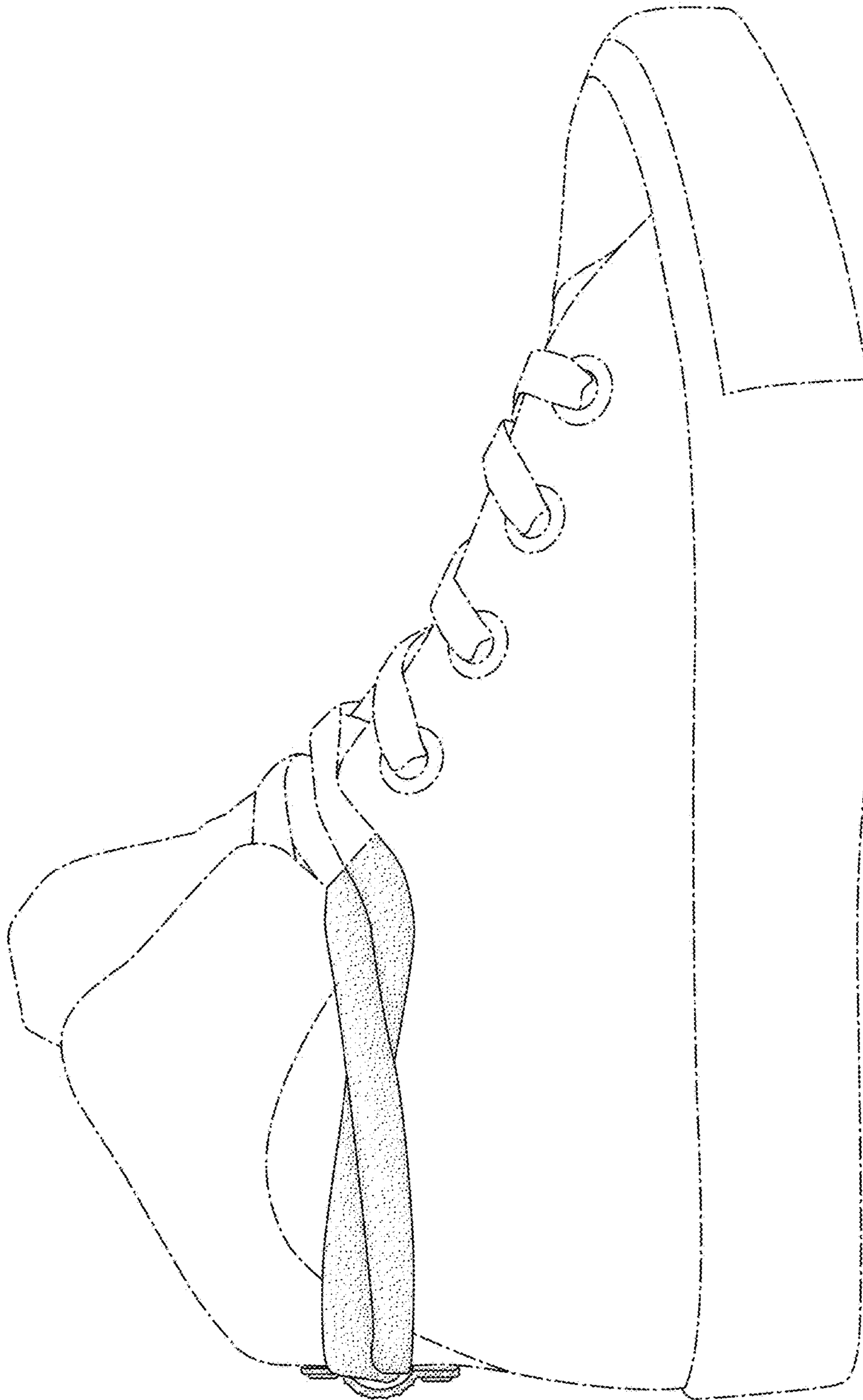


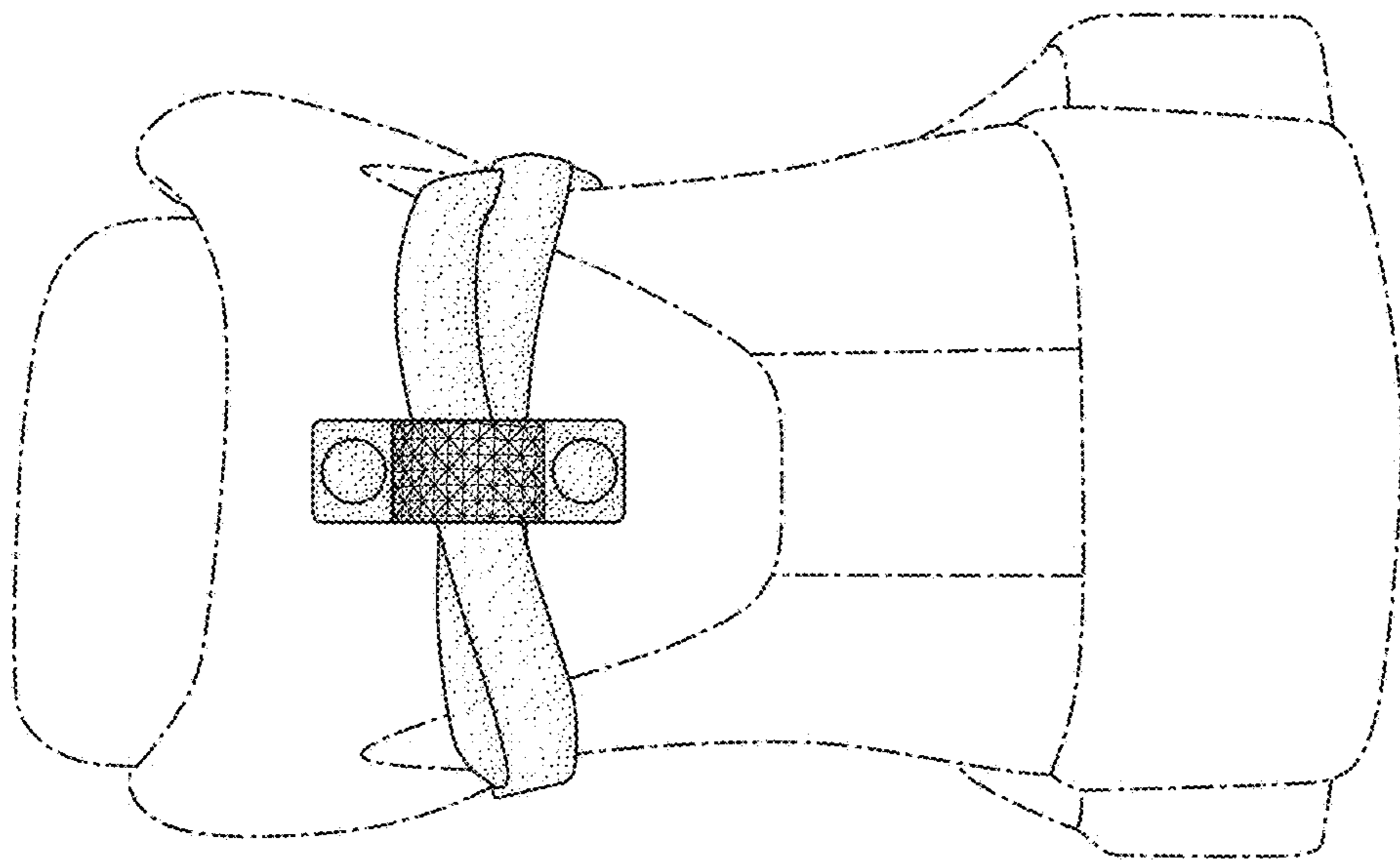
FIG. 3



**FIG. 4**



**FIG. 5**



**FIG. 6**



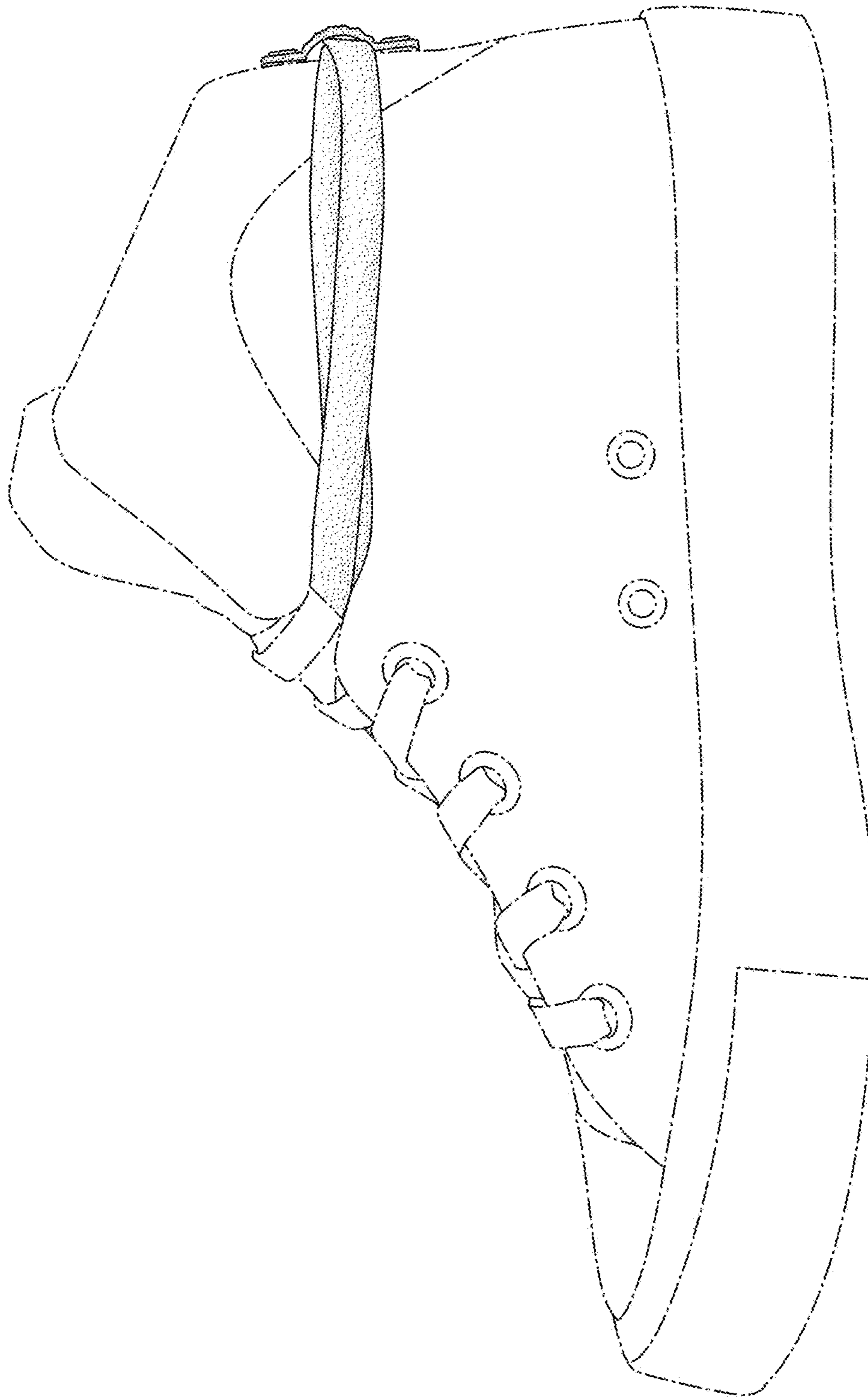


FIG. 7

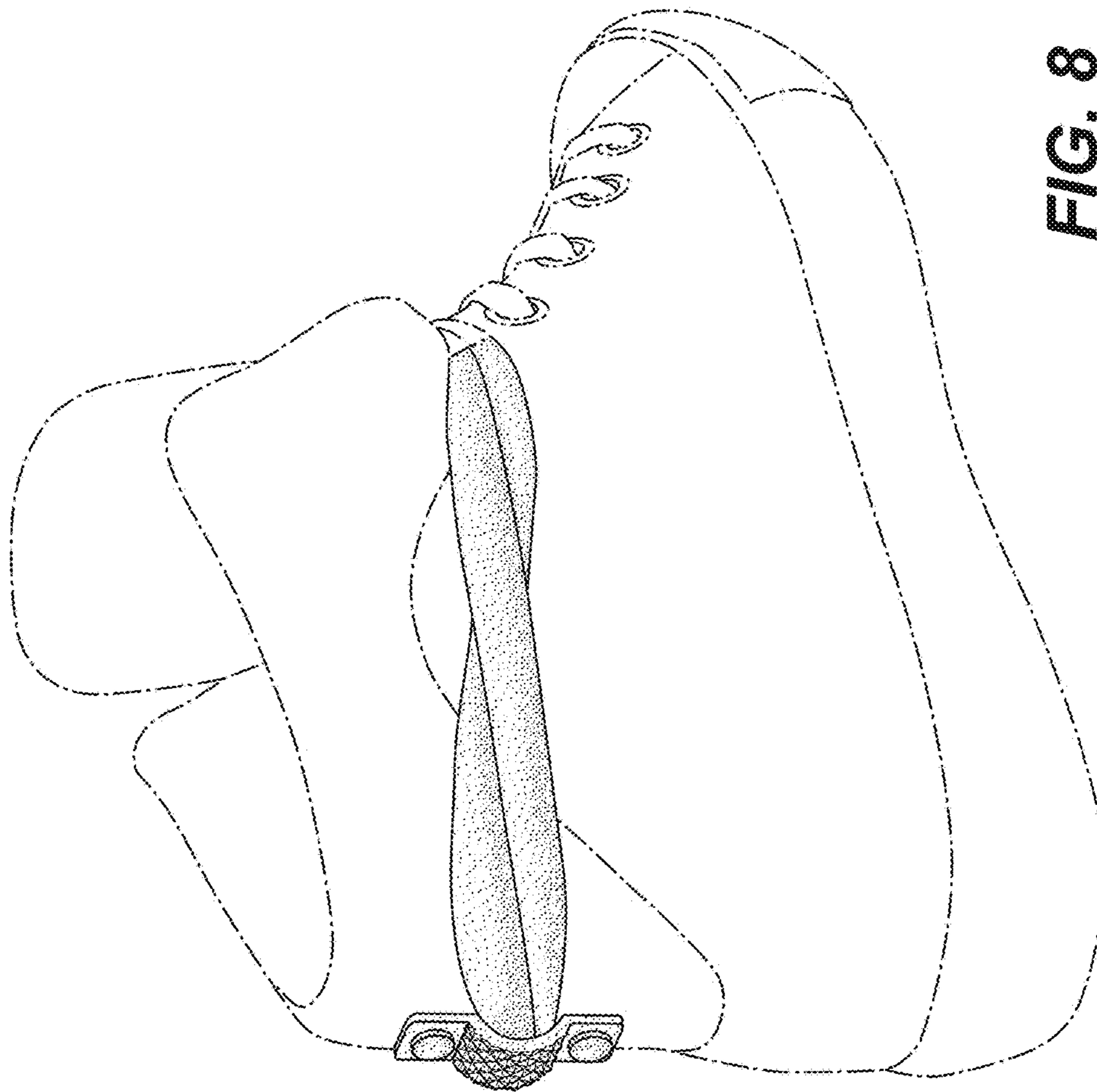
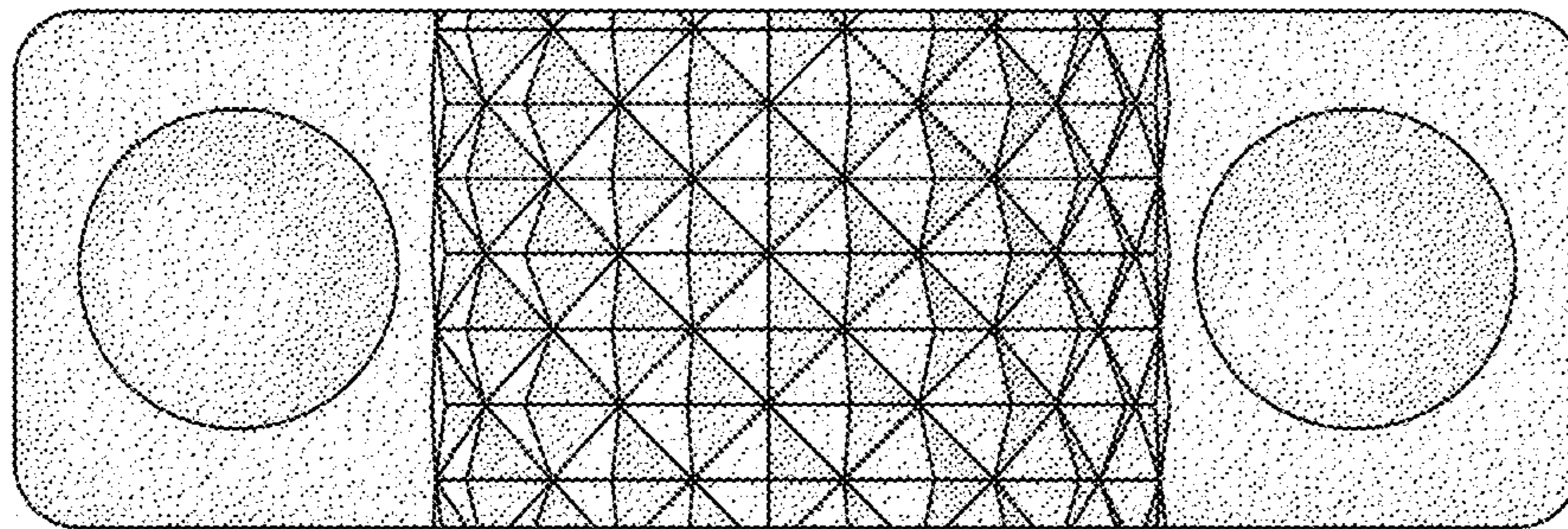


FIG. 8



**FIG. 9**