



US00D812885S

(12) **United States Design Patent**
Spring

(10) **Patent No.:** **US D812,885 S**

(45) **Date of Patent:** **** Mar. 20, 2018**

(54) **FOOTWEAR**

(71) Applicant: **Sorel Corporation**, Portland, OR (US)

(72) Inventor: **Angie Spring**, Portland, OR (US)

(73) Assignee: **Sorel Corporation**, Portland, OR (US)

(**) Term: **15 Years**

(21) Appl. No.: **29/597,652**

(22) Filed: **Mar. 17, 2017**

(51) **LOC (11) Cl.** **02-04**

(52) **U.S. Cl.**

USPC **D2/965**

(58) **Field of Classification Search**

USPC D2/896, 909, 910, 911, 925, 927, 946,
D2/964, 965

CPC A43B 21/00; A43B 21/02; A43B 21/025;
A43B 21/03; A43B 21/04; A43B 21/06;
A43B 21/08; A43B 21/18; A43B 21/20;
A43B 21/24; A43B 21/26; A43B 21/28;
A43B 21/54

See application file for complete search history.

(56) **References Cited**

U.S. PATENT DOCUMENTS

D25,187 S *	2/1896	Hill	D2/965
D62,725 S *	7/1923	Hill	D2/965
D95,767 S *	5/1935	Marks	36/34 R
D95,991 S *	6/1935	Seigel	D2/938
D98,632 S *	2/1936	Winer	D2/939
2,142,539 A *	1/1939	Treat	A43B 21/00 36/34 R

2,328,319 A * 8/1943 Barton A43B 21/00
264/301

2,364,744 A * 12/1944 Morris B29C 43/145
12/147 B

2,489,018 A * 11/1949 Dodge A43B 3/16
36/1

D201,863 S * 8/1965 Goldberg 36/34 R

6,021,586 A * 2/2000 Bucalo A43B 3/24
36/42

D668,844 S * 10/2012 Wolff D2/910

D718,029 S * 11/2014 Javits, Jr. D2/965

D725,876 S * 4/2015 Spring D2/910

D740,010 S * 10/2015 Kirkwood D2/965

* cited by examiner

Primary Examiner — Elizabeth J Oswecki

(74) *Attorney, Agent, or Firm* — Schwabe, Williamson & Wyatt, P.C.

(57) **CLAIM**

The ornamental design for footwear, as shown and described.

DESCRIPTION

FIG. 1 is a rear, right perspective view of footwear, showing my new design;

FIG. 2 is a rear, left perspective view thereof;

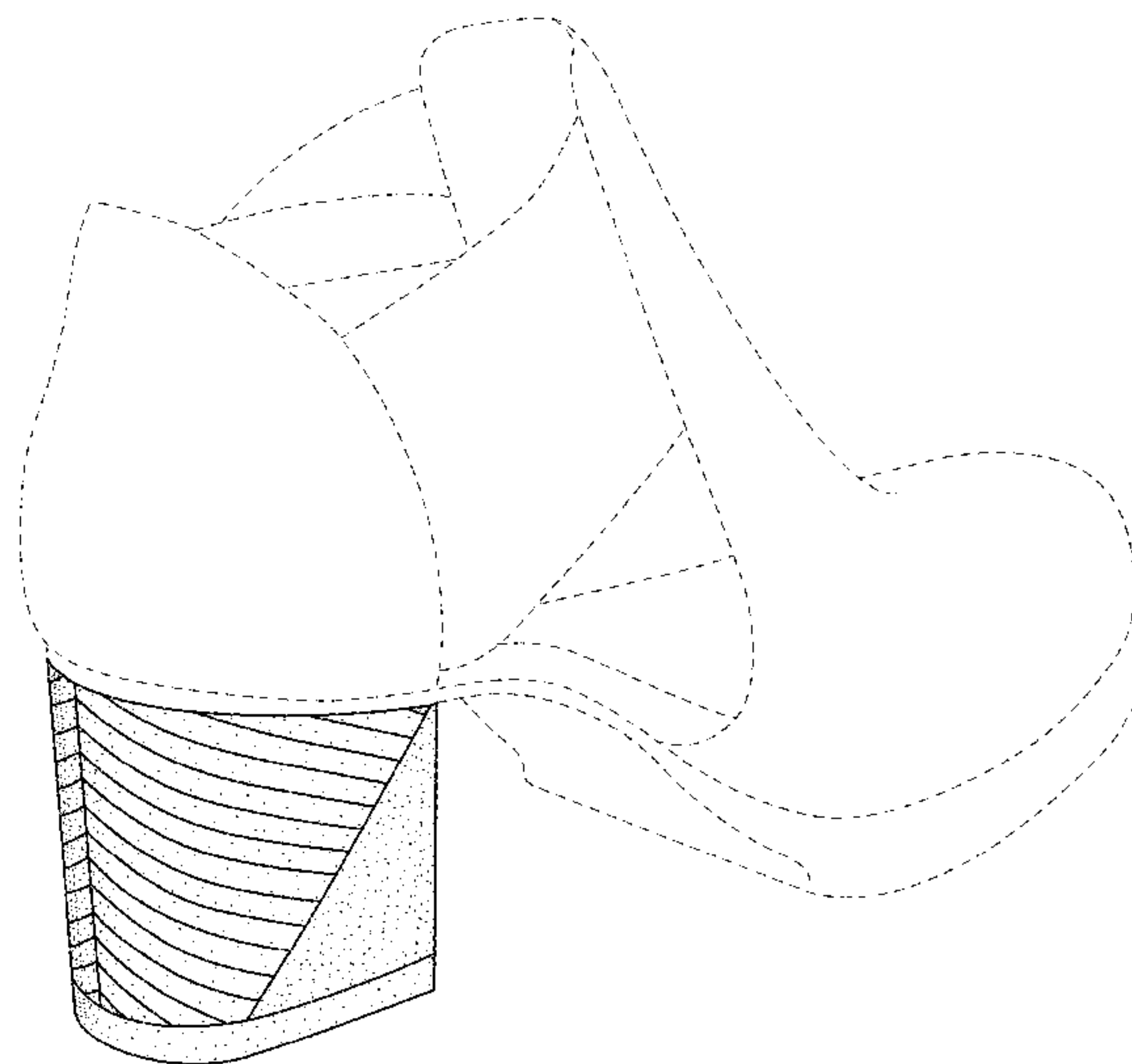
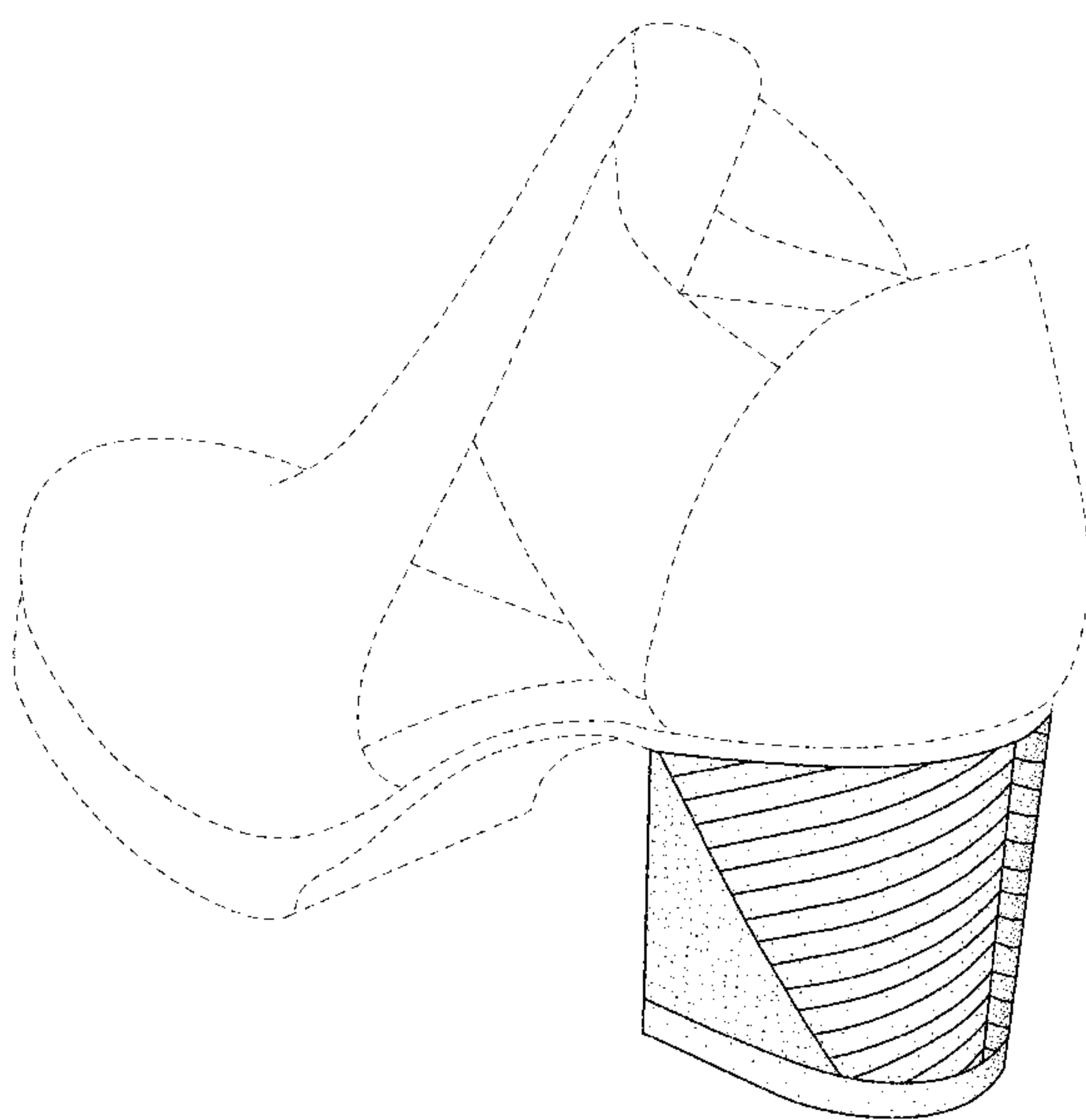
FIG. 3 is a right side view thereof;

FIG. 4 is a left side view thereof; and,

FIG. 5 is a rear view thereof.

The broken lines are included for illustrating environmental structure and form no part of the claimed design.

1 Claim, 5 Drawing Sheets



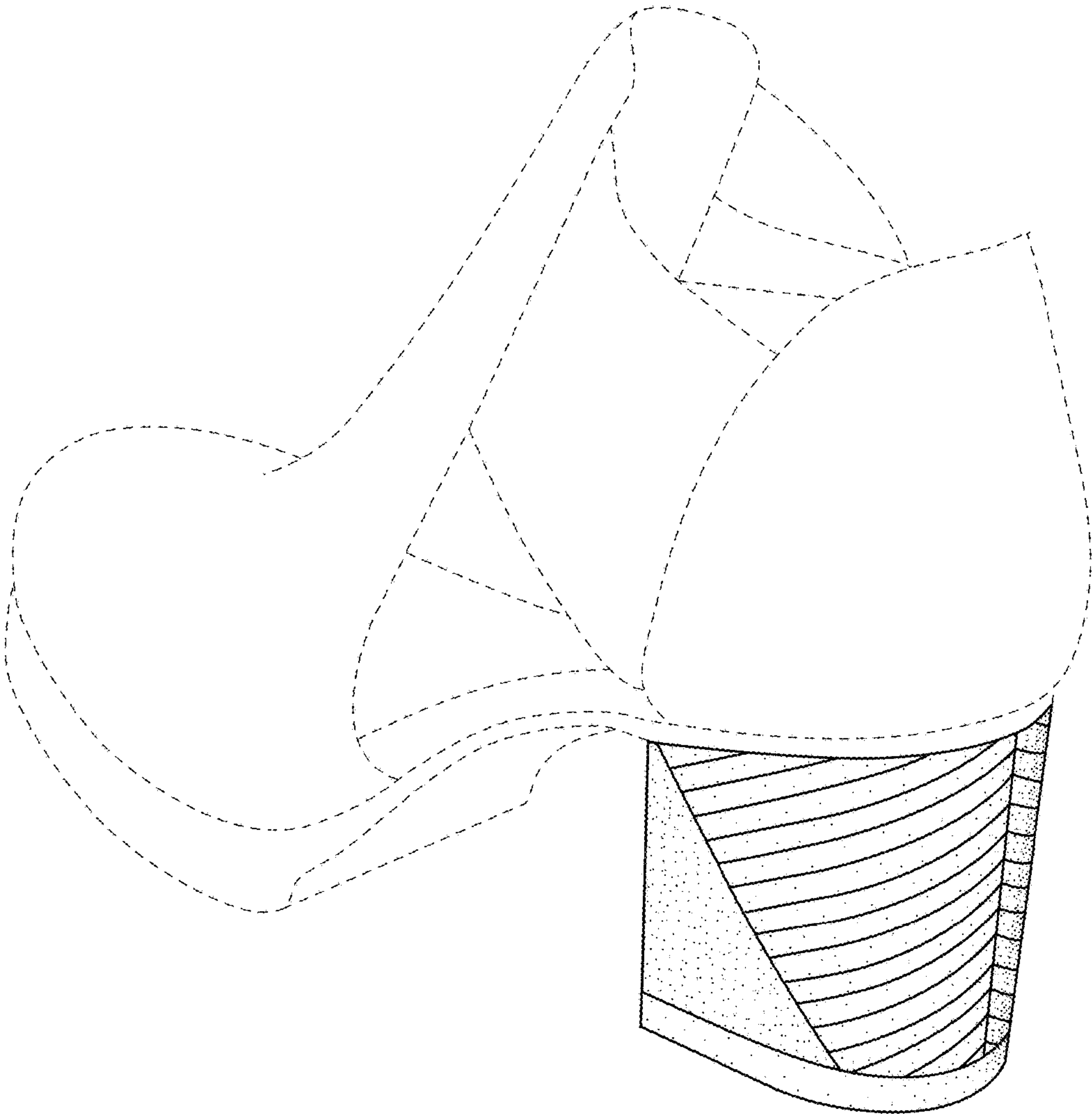


FIG. 1

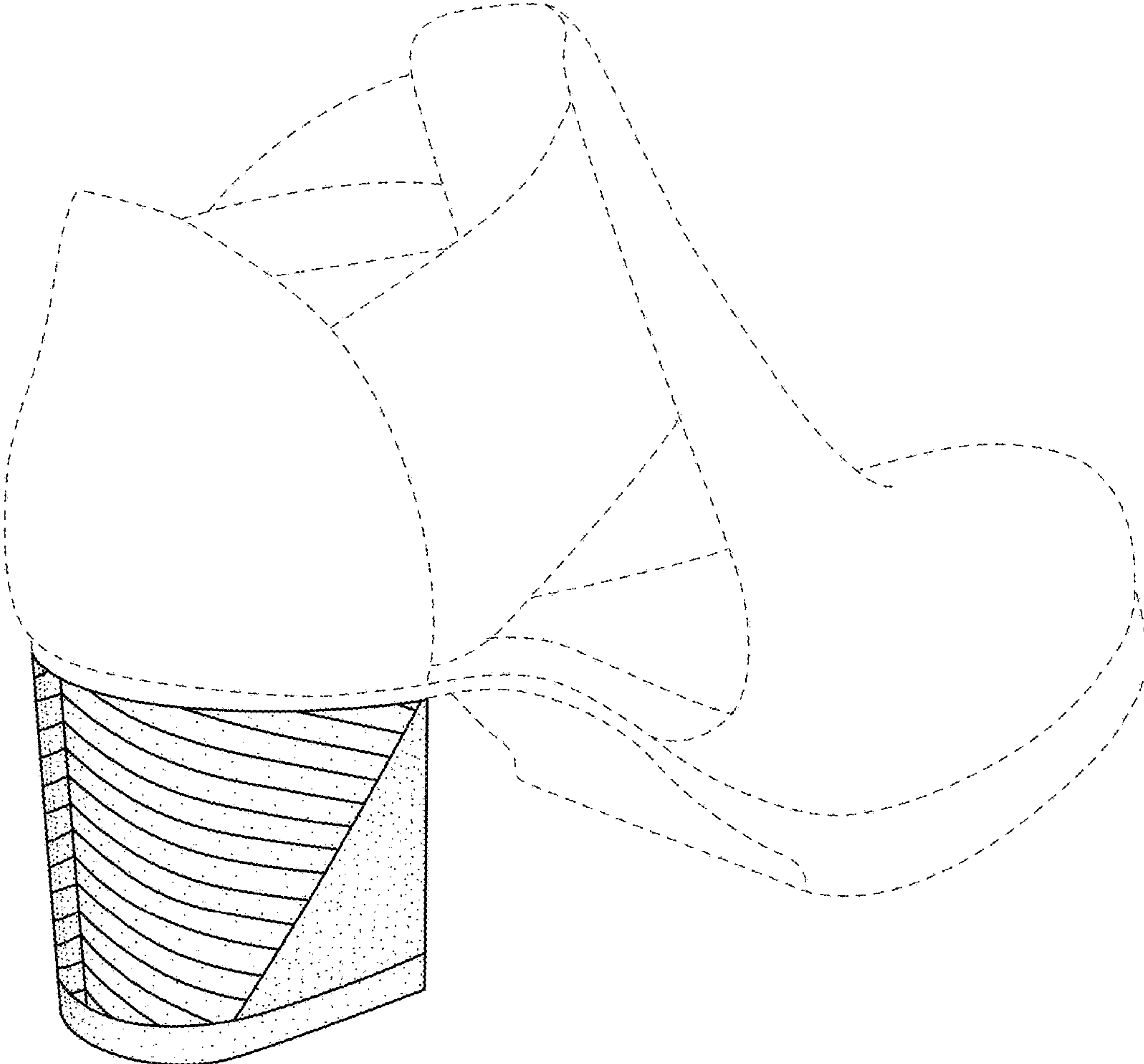


FIG. 2

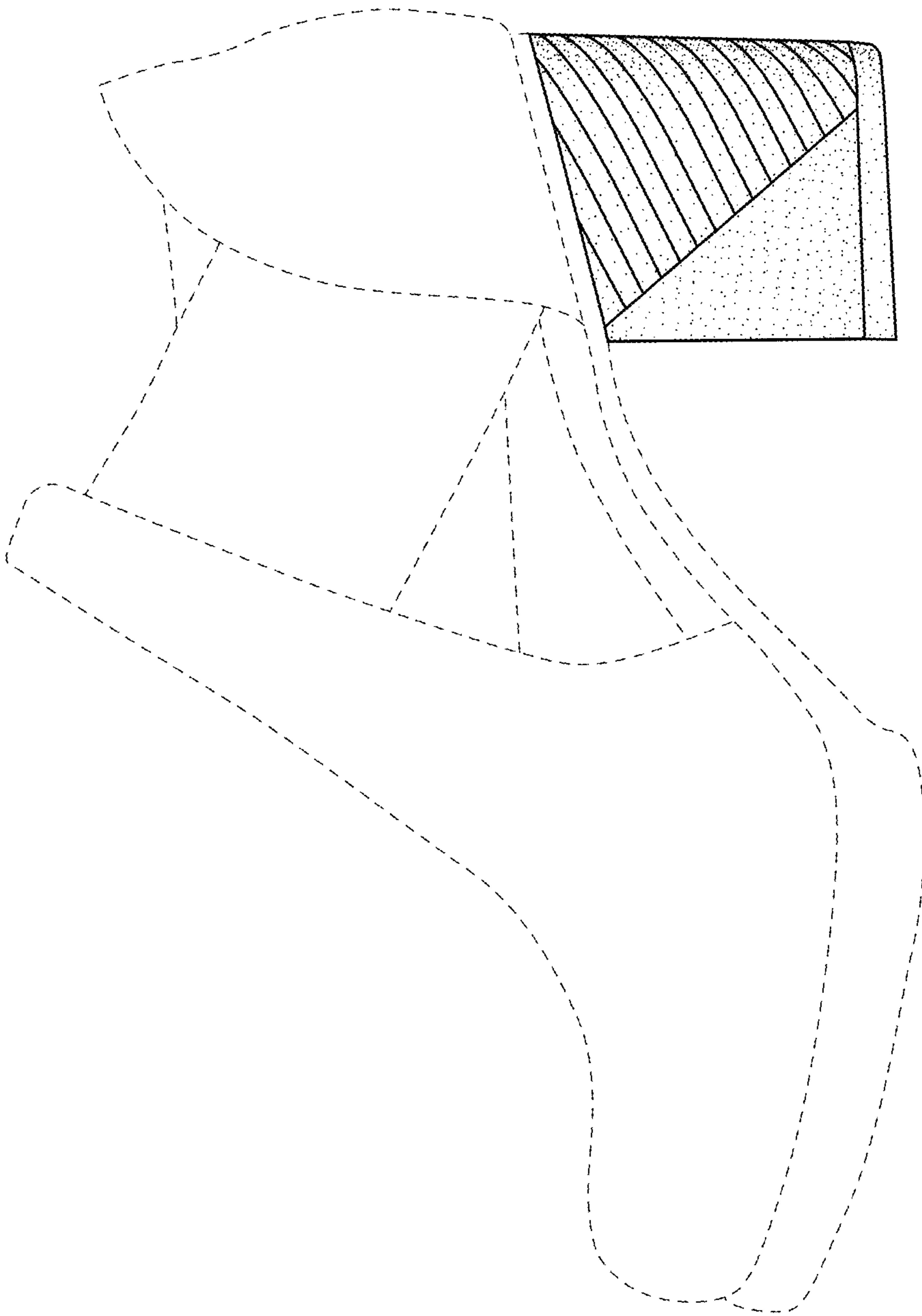


FIG. 3

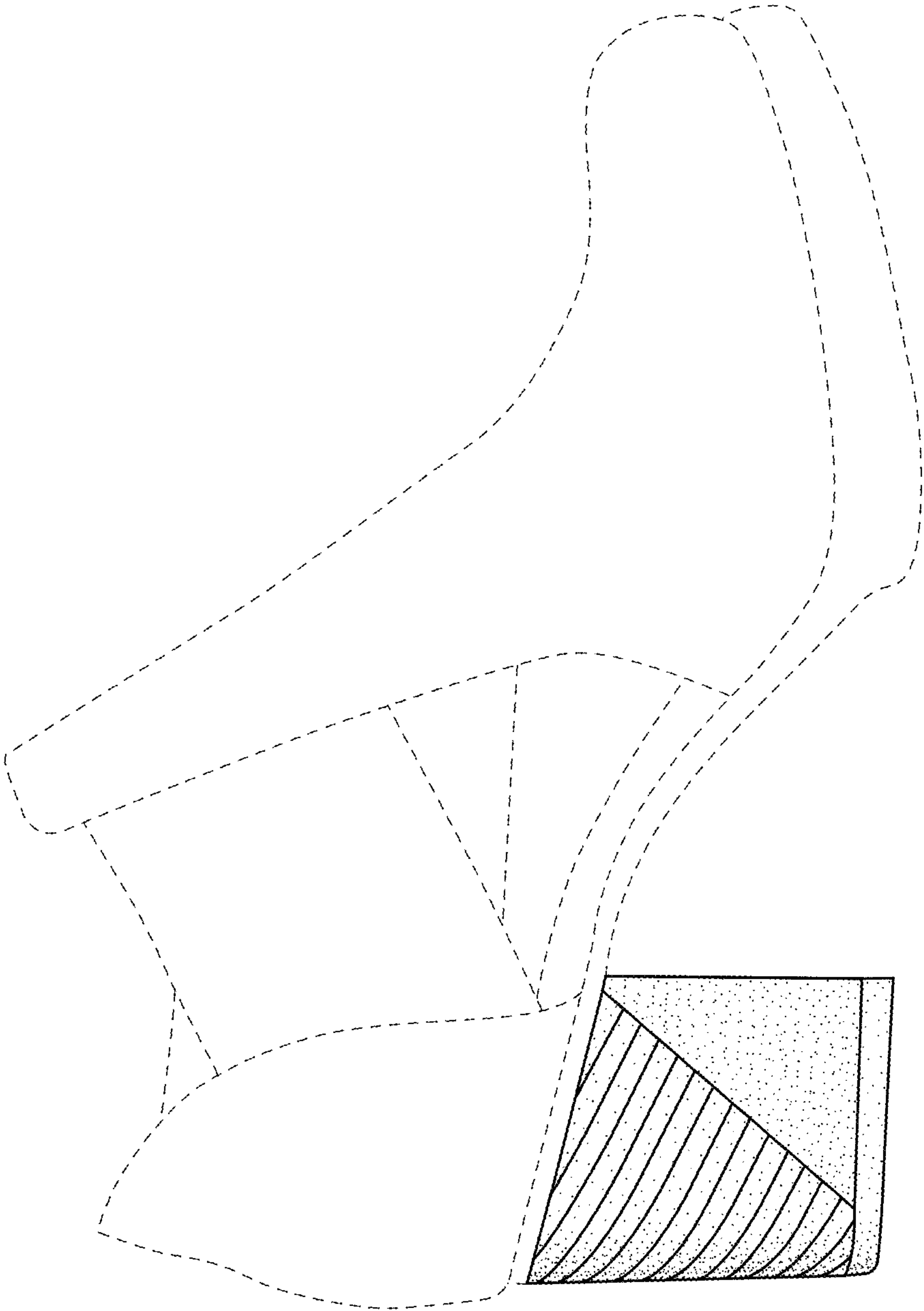


FIG. 4

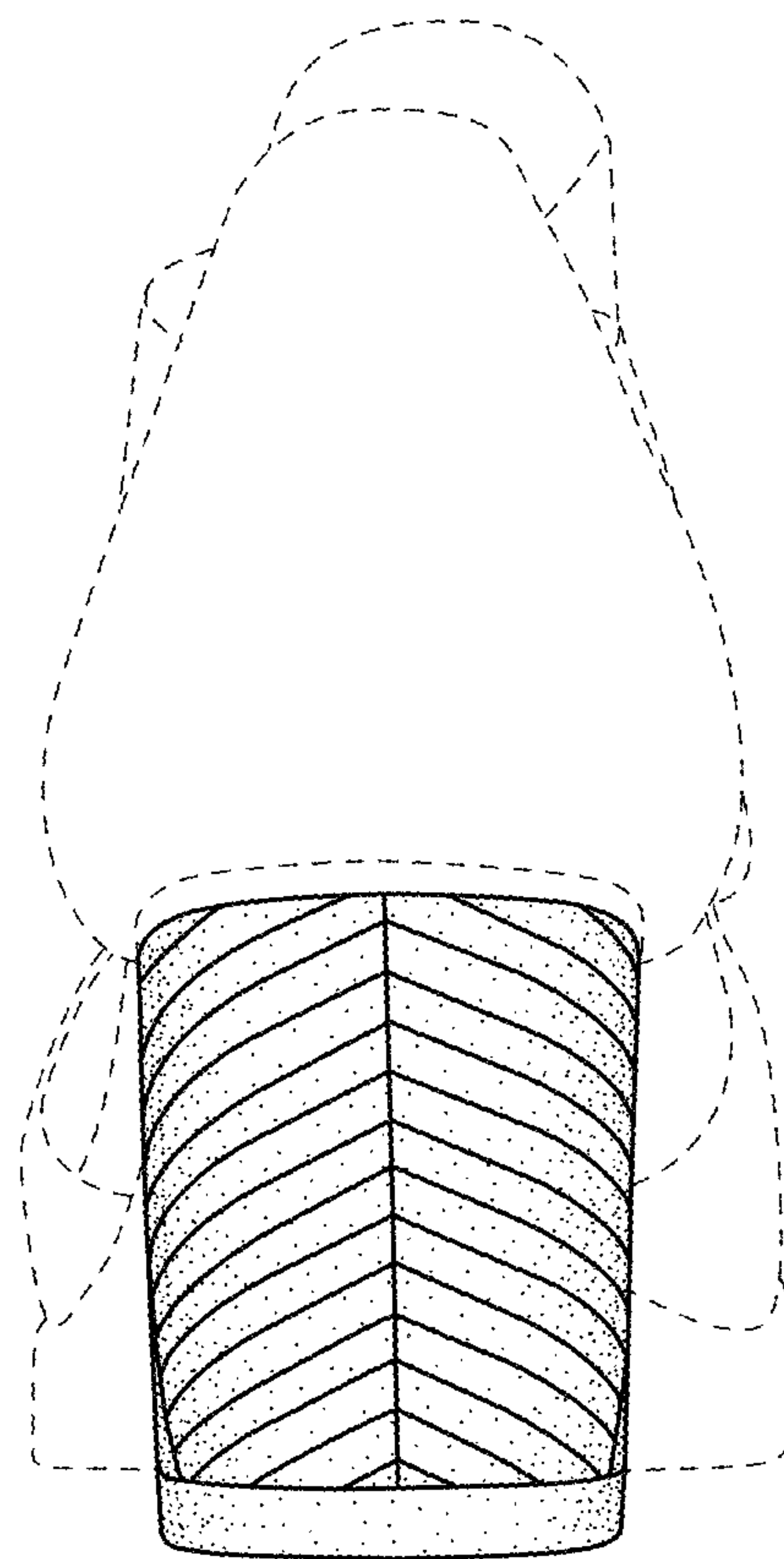


FIG. 5