



US00D812874S

(12) **United States Design Patent**
Lapouille

(10) **Patent No.:** **US D812,874 S**
(45) **Date of Patent:** **** Mar. 20, 2018**

(54) **SOLE OF A CROSS-COUNTRY SKI
FOOTWEAR ARTICLE**

(71) Applicant: **Salomon S.A.S., Metz-Tessy (FR)**

(72) Inventor: **Maxime Lapouille, Annecy (FR)**

(73) Assignee: **Salomon S.A.S., Metz-Tessy (FR)**

(**) Term: **15 Years**

(21) Appl. No.: **29/565,945**

(22) Filed: **May 25, 2016**

(30) **Foreign Application Priority Data**

Nov. 25, 2015 (WO) DM/088 374

(51) **LOC (11) Cl.** **02-04**

(52) **U.S. Cl.**
USPC **D2/951; D2/947**

(58) **Field of Classification Search**

USPC D2/902, 906, 908, 916, 918, 925,
D2/946-962, 977; 36/3 B, 22 R, 24.5,
36/25 R, 28, 32 R, 34 R, 59 C, 67 A, 103
CPC A43B 13/00; A43B 13/02; A43B 13/023;
A43B 13/026; A43B 13/04; A43B 13/08;
A43B 13/10; A43B 13/12; A43B 13/14;
A43B 13/141; A43B 13/143; A43B
13/16; A43B 13/18; A43B 13/181; A43B
13/187; A43B 13/189; A43B 13/20; A43B
13/22; A43B 13/223; A43B 13/24; A43B
13/28; A43B 13/30; A43B 13/32; A43B
13/34; A43B 13/36

See application file for complete search history.

(56) **References Cited**

U.S. PATENT DOCUMENTS

D163,674 S * 6/1951 Bovay 36/59 C
3,884,492 A * 5/1975 Spademan A63C 9/086
280/624

4,785,557 A * 11/1988 Kelley A43B 13/12
36/30 R
D325,466 S * 4/1992 Rullier D2/947
D343,048 S * 1/1994 Hauglin D2/957
D352,817 S * 11/1994 Fellouhe D2/904
D357,347 S 4/1995 Leick
5,664,797 A * 9/1997 Haughlin A43B 5/0411
280/615
D402,095 S 12/1998 Cretinon
D410,966 S 6/1999 Cretinon
D414,023 S 9/1999 Cretinon et al.
D414,595 S 10/1999 Donnadiou et al.
D414,596 S 10/1999 Donnadiou et al.

(Continued)

Primary Examiner — T. Chase Nelson

(74) *Attorney, Agent, or Firm* — Terence P. O'Brien

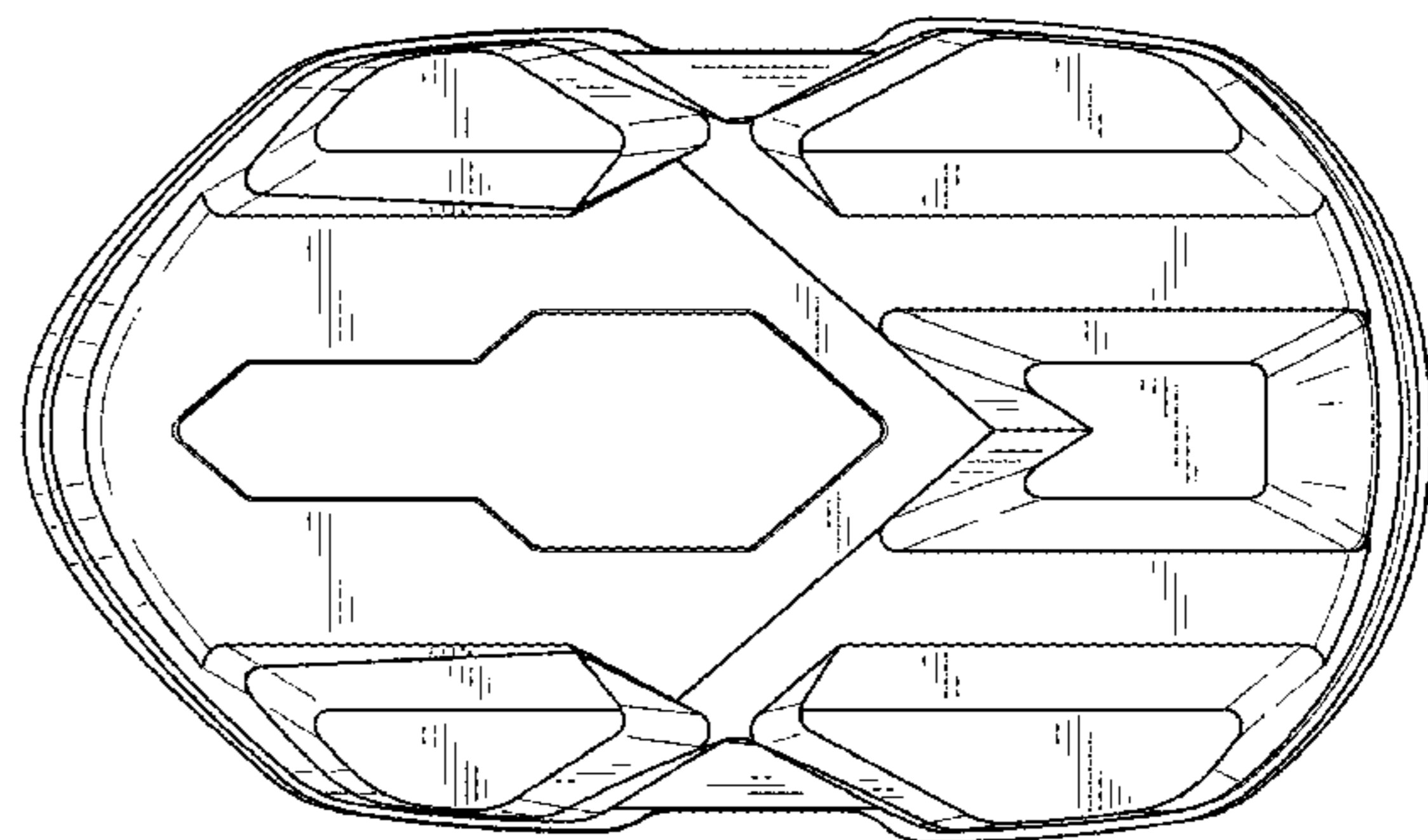
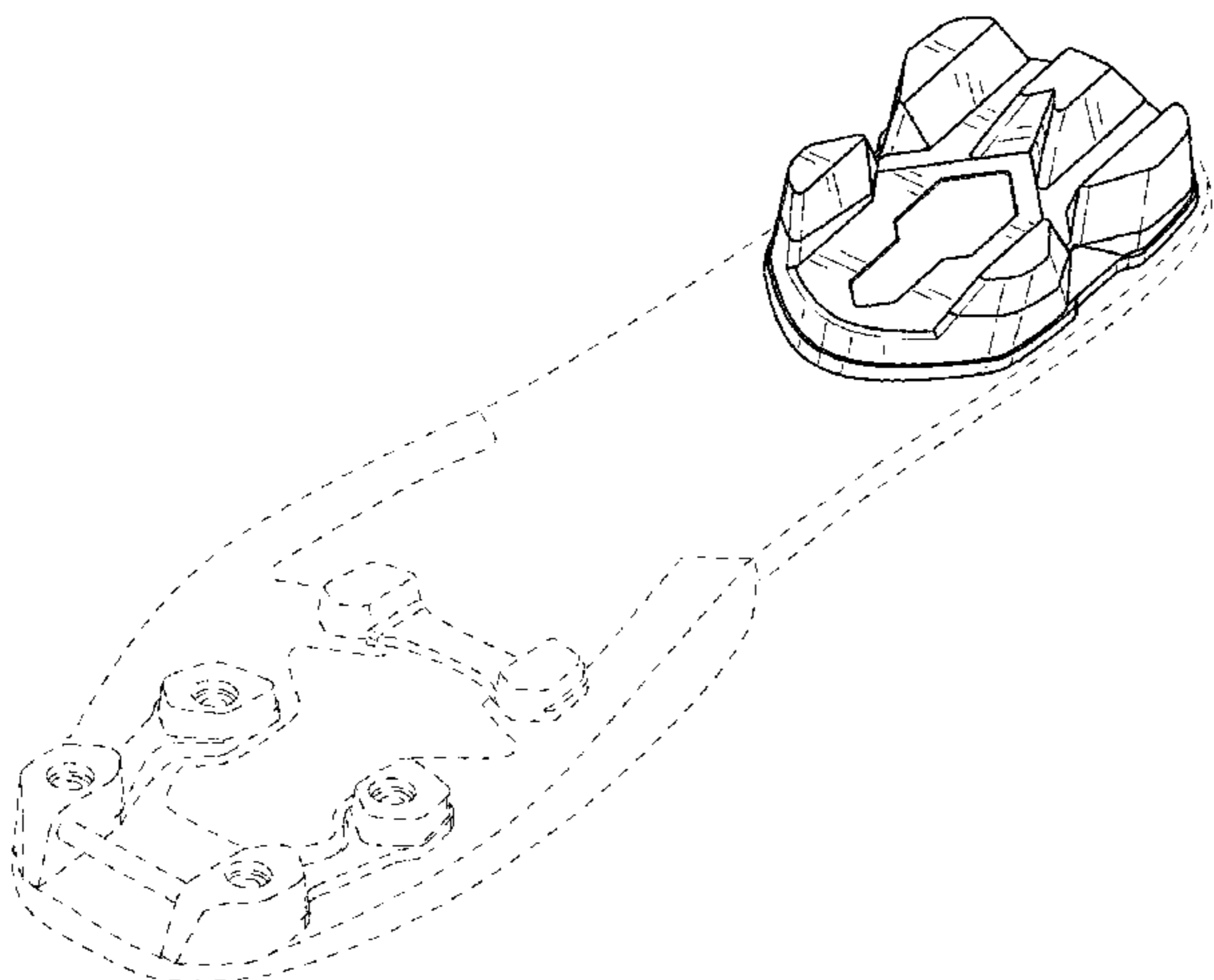
(57) **CLAIM**

I claim the ornamental design for a sole of a cross-country ski footwear article, as shown and described.

DESCRIPTION

FIG. 1 is a bottom, front, side perspective view of a sole of a cross-country ski footwear article;
FIG. 2 is an enlarged bottom, front, side perspective view of the sole of a cross-country ski footwear article of FIG. 1 with the broken line unclaimed portions removed for purposes of enlargement;
FIG. 3 is a bottom view of the sole of a cross-country ski footwear article of FIG. 2;
FIG. 4 is a side view of the sole of a cross-country ski footwear article of FIG. 2;
FIG. 5 is a front view of the sole of a cross-country ski footwear article of FIG. 2; and,
FIG. 6 is a rear view of the sole of a cross-country ski footwear article of FIG. 2.
The broken lines depict portions of the sole of a cross-country ski footwear article that form no part of the claimed design.

1 Claim, 3 Drawing Sheets



(56)

References Cited

U.S. PATENT DOCUMENTS

D417,946 S 12/1999 Turner
 D426,054 S 6/2000 Mazars
 D433,791 S 11/2000 Laberge
 D434,550 S 12/2000 Laberge
 D436,247 S 1/2001 Burt
 D442,357 S 5/2001 Burt
 D450,428 S 11/2001 Cretinon
 D460,608 S 7/2002 Laberge et al.
 D460,853 S 7/2002 Sakai
 D461,946 S 8/2002 Burt
 D462,157 S 9/2002 Burt
 D467,712 S 9/2002 Burt
 D469,949 S 2/2003 Koo
 D471,697 S 3/2003 Laberge
 D472,698 S 4/2003 Gay
 D473,366 S 4/2003 Hillyer
 D473,698 S 4/2003 Hillyer
 D478,715 S 8/2003 Burt
 D481,528 S 11/2003 St-louis
 D487,840 S 3/2004 Hillyer
 D488,294 S 4/2004 Lancon
 D495,480 S 9/2004 Laberge
 D531,394 S * 11/2006 Bonnemere D2/957
 D540,014 S * 4/2007 Turner D2/951
 D546,531 S 7/2007 Bertholon
 D570,584 S 6/2008 Gay
 D579,184 S 6/2008 Gay
 D574,602 S 8/2008 Grenet
 D604,488 S 11/2009 Amphyon
 D607,633 S * 1/2010 Mongelli D2/947
 D612,135 S 3/2010 Borel et al.
 D614,382 S 4/2010 Grenet et al.
 D622,041 S 8/2010 Richard

D622,043 S * 8/2010 Hauglin D2/951
 D636,980 S 5/2011 Grenet
 D668,853 S 5/2011 Grenet
 D644,824 S 9/2011 Leleu
 D645,240 S * 9/2011 McClaskie D2/951
 D660,567 S 5/2012 Borel et al.
 D661,878 S 6/2012 Grenet
 D668,852 S 10/2012 Bosomworth
 D677,450 S 3/2013 Amphyon
 D677,451 S 3/2013 Amphyon
 D684,755 S 6/2013 Miette
 D720,124 S 12/2014 Grenet
 D722,751 S * 2/2015 Sener D2/951
 D722,752 S * 2/2015 Svensson D2/951
 D725,880 S * 4/2015 Bramani D2/951
 9,326,563 B2 * 5/2016 Svensson A43B 5/0411
 D773,164 S * 12/2016 Yun D2/951
 2007/0235984 A1 * 10/2007 Miralles A43B 5/0413
 280/615
 2008/0127523 A1 * 6/2008 Hauglin A43B 5/0411
 36/117.2
 2010/0088929 A1 * 4/2010 Comoli A43C 15/08
 36/103
 2013/0147160 A1 * 6/2013 Svensson A43B 5/0421
 280/636
 2014/0115929 A1 * 5/2014 Svensson A43B 5/0486
 36/117.3
 2014/0115930 A1 * 5/2014 Svensson A43B 5/0411
 36/117.3
 2014/0217703 A1 * 8/2014 Brandl A63C 9/001
 280/614
 2017/0027274 A1 * 2/2017 Simonetti A43B 5/0411
 2017/0202305 A1 * 7/2017 Huard A43B 13/186
 2017/0208893 A1 * 7/2017 Garbujo A43B 5/0413

* cited by examiner

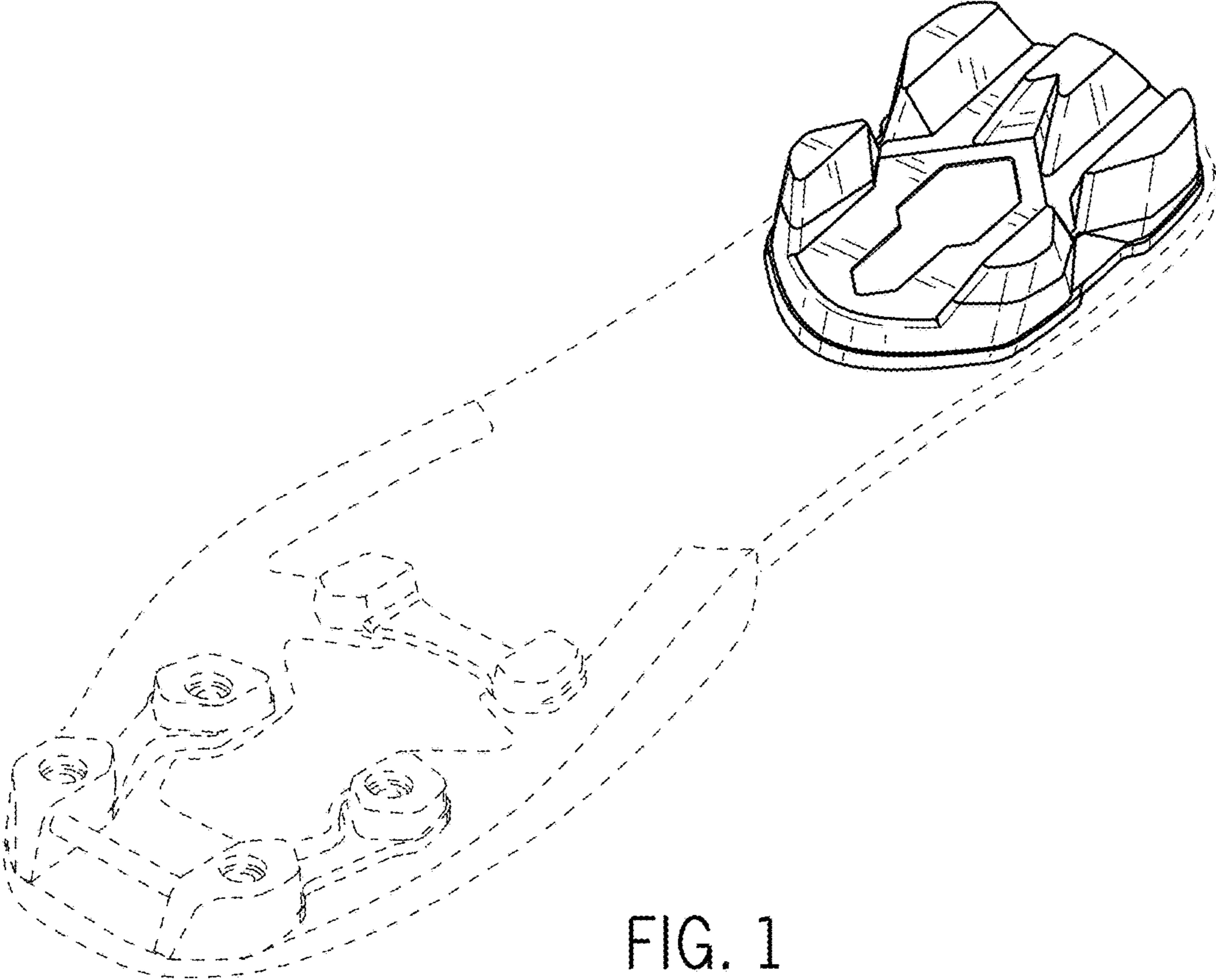


FIG. 1

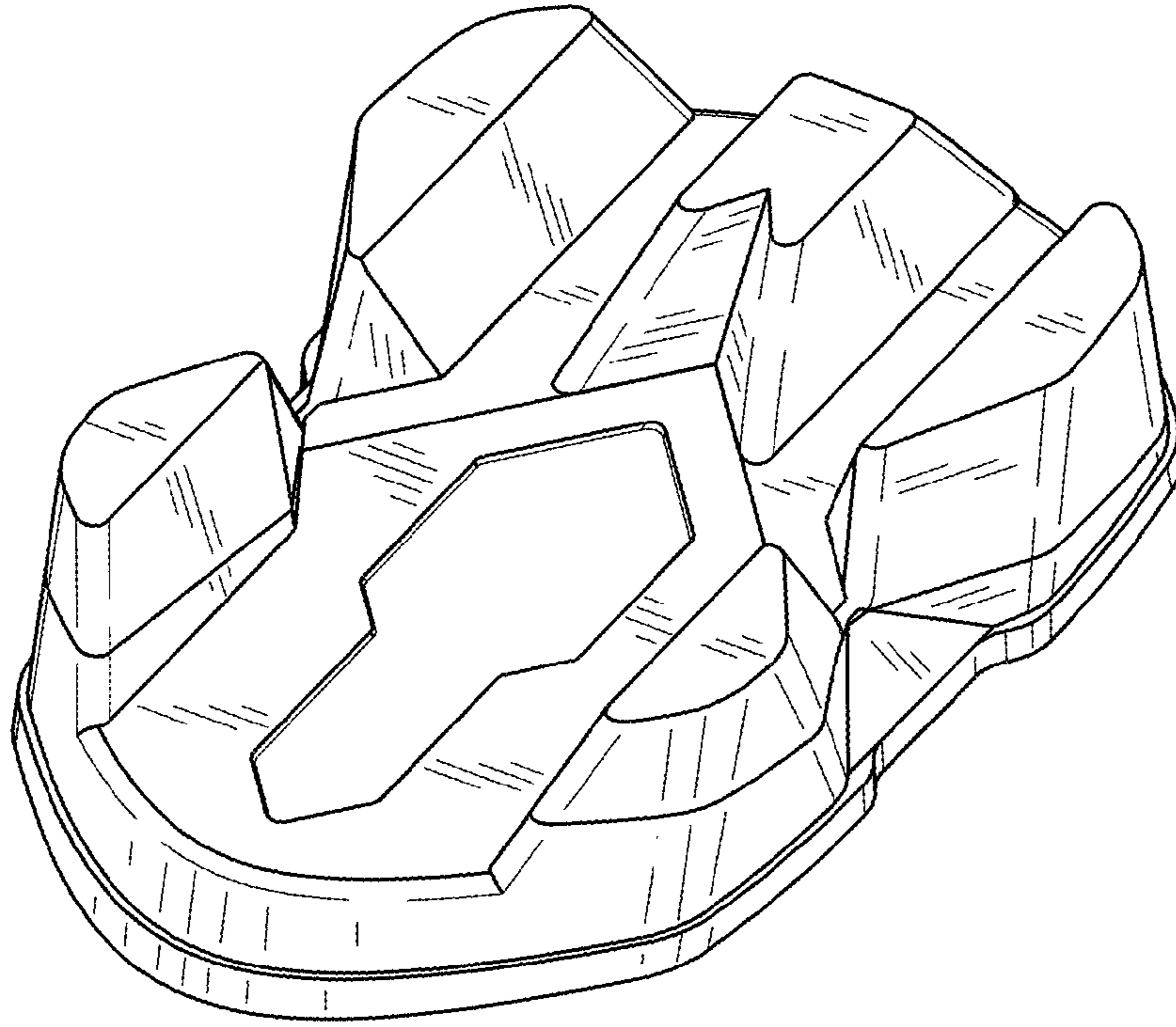


FIG. 2

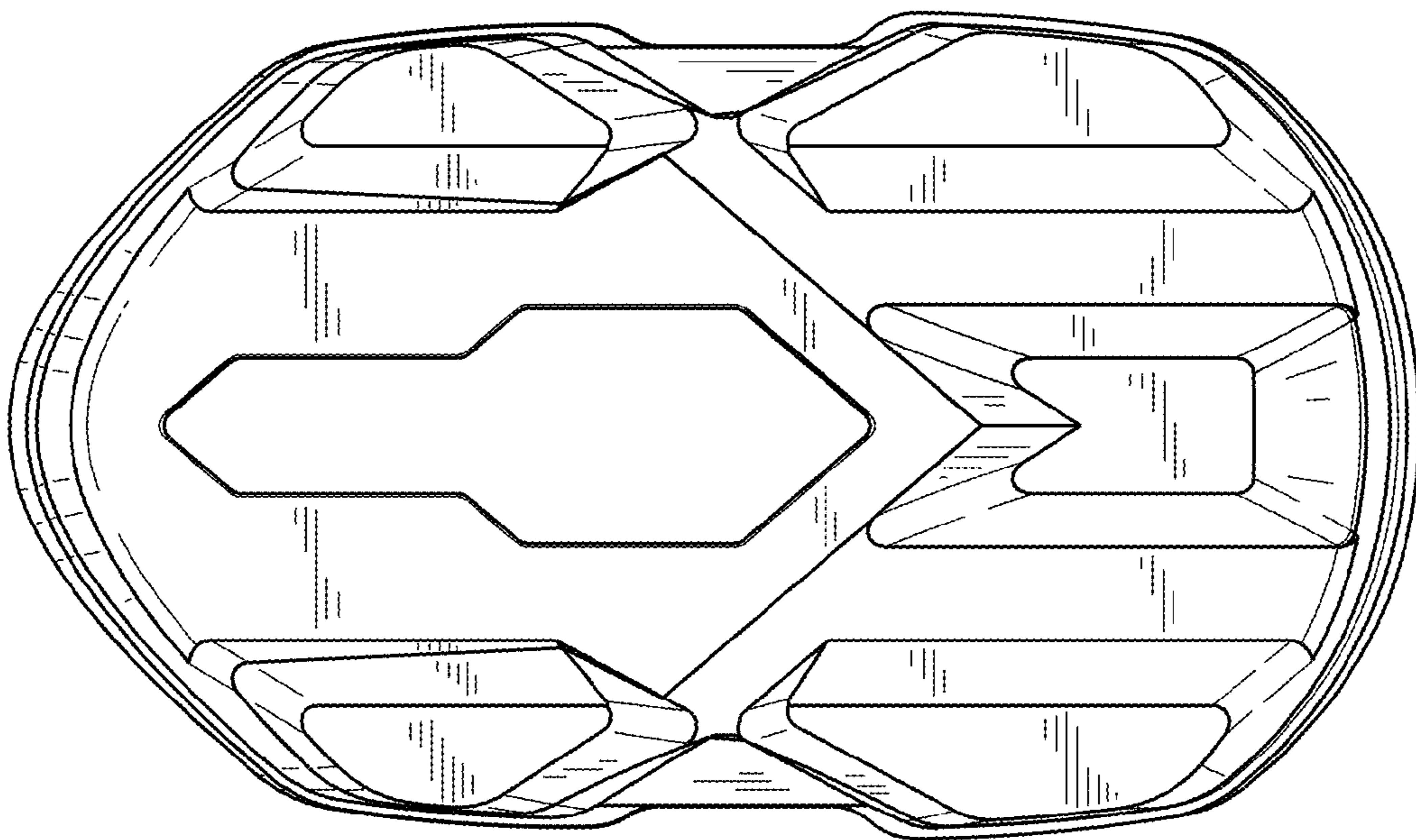


FIG. 3

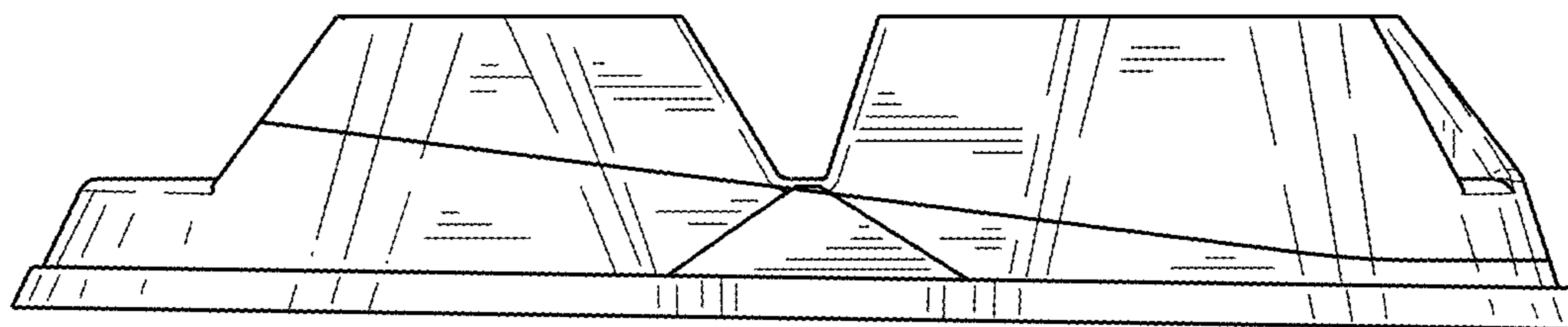


FIG. 4

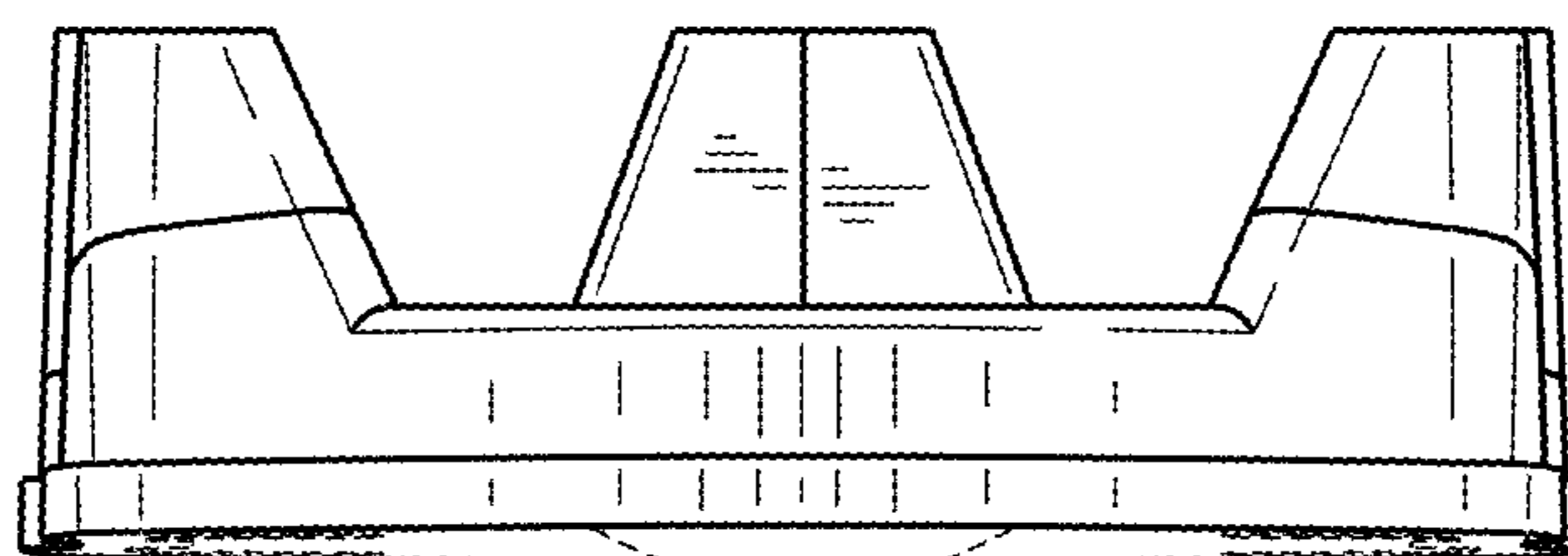


FIG. 5

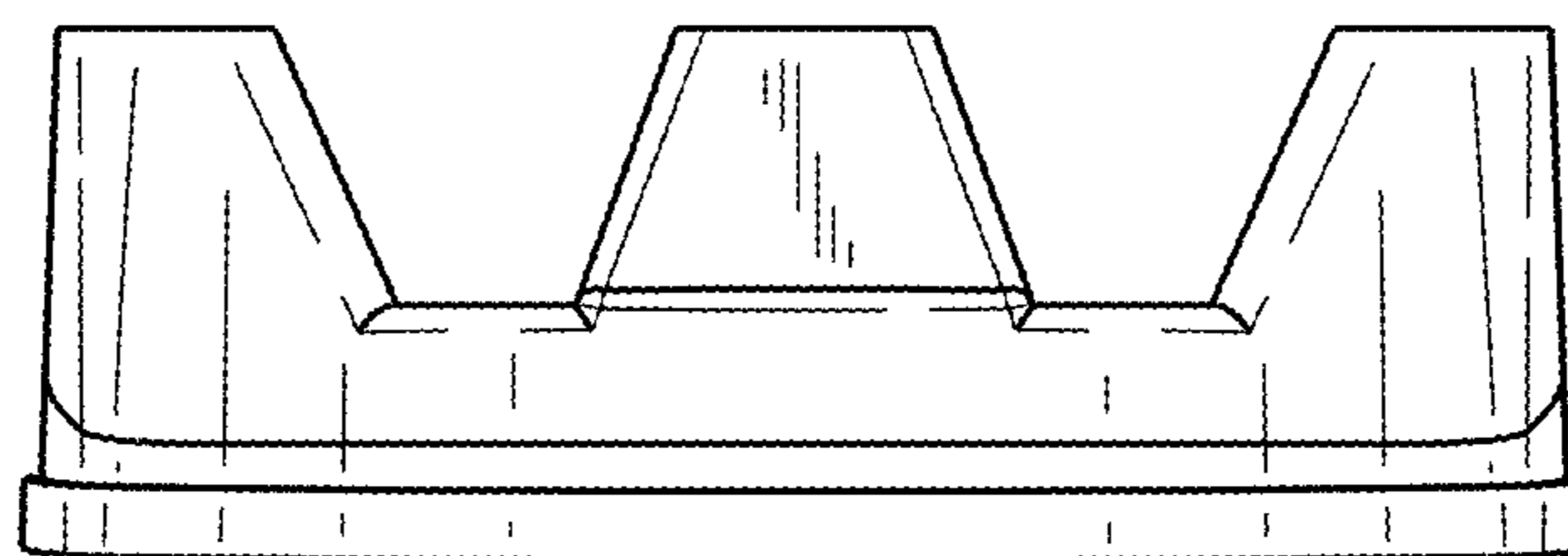


FIG. 6