



US00D812873S

(12) **United States Design Patent**  
**Lapouille**

(10) **Patent No.:** **US D812,873 S**  
(45) **Date of Patent:** **\*\* Mar. 20, 2018**

(54) **SOLE OF A CROSS-COUNTRY SKI  
FOOTWEAR ARTICLE**

(71) Applicant: **Salomon S.A.S.**, Metz-Tessy (FR)

(72) Inventor: **Maxime Lapouille**, Annecy (FR)

(73) Assignee: **Saloman S.A.S.**, Metz-Tessy (FR)

(\*\*) Term: **15 Years**

(21) Appl. No.: **29/565,936**

(22) Filed: **May 25, 2016**

(30) **Foreign Application Priority Data**

Nov. 25, 2015 (WO) ..... DM/088 374

(51) **LOC (11) Cl.** ..... **02-04**

(52) **U.S. Cl.**  
USPC ..... **D2/951; D2/947**

(58) **Field of Classification Search**

USPC ..... D2/902, 906, 908, 916, 918, 925,  
D2/946-962, 977; 36/3 B, 22 R, 24.5,  
36/25 R, 28, 32 R, 34 R, 59 C, 67 A, 103  
CPC ..... A43B 13/00; A43B 13/02; A43B 13/023;  
A43B 13/026; A43B 13/04; A43B 13/08;  
A43B 13/10; A43B 13/12; A43B 13/14;  
A43B 13/141; A43B 13/143; A43B  
13/16; A43B 13/18; A43B 13/181; A43B  
13/187; A43B 13/189; A43B 13/20; A43B  
13/22; A43B 13/223; A43B 13/24; A43B  
13/28; A43B 13/30; A43B 13/32; A43B  
13/34; A43B 13/36

See application file for complete search history.

(56) **References Cited**

**U.S. PATENT DOCUMENTS**

D321,975 S \* 12/1991 Arnulf ..... D2/957  
D325,466 S \* 4/1992 Rullier ..... D2/947

D343,048 S \* 1/1994 Hauglin ..... D2/957  
D352,817 S \* 11/1994 Fellouhe ..... D2/904  
D357,347 S 4/1995 Leick  
5,664,797 A \* 9/1997 Haughlin ..... A43B 5/0411  
280/615  
D402,095 S 12/1998 Cretinon  
D410,966 S 6/1999 Cretinon  
D414,023 S 9/1999 Cretinon et al.  
D414,595 S 10/1999 Donnadieu et al.  
D414,596 S 10/1999 Donnadieu et al.  
D417,946 S 12/1999 Turner  
D426,054 S 6/2000 Mazars  
D433,791 S 11/2000 Laberge  
D434,550 S 12/2000 Laberge  
D436,247 S 1/2001 Burt  
D442,357 S 5/2001 Burt  
D450,428 S 11/2001 Cretinon

(Continued)

*Primary Examiner* — T. Chase Nelson

(74) *Attorney, Agent, or Firm* — Terence P. O'Brien

(57) **CLAIM**

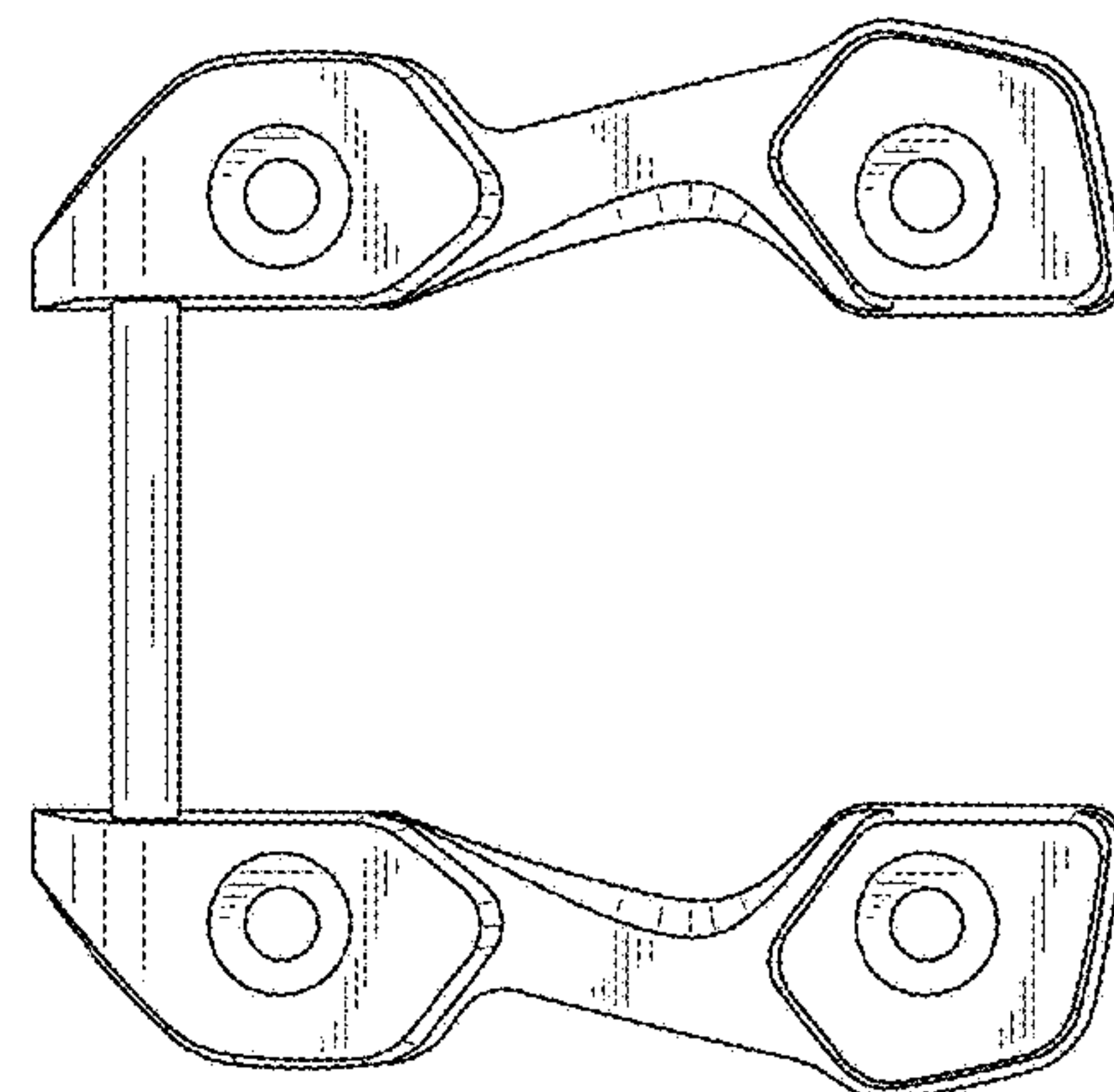
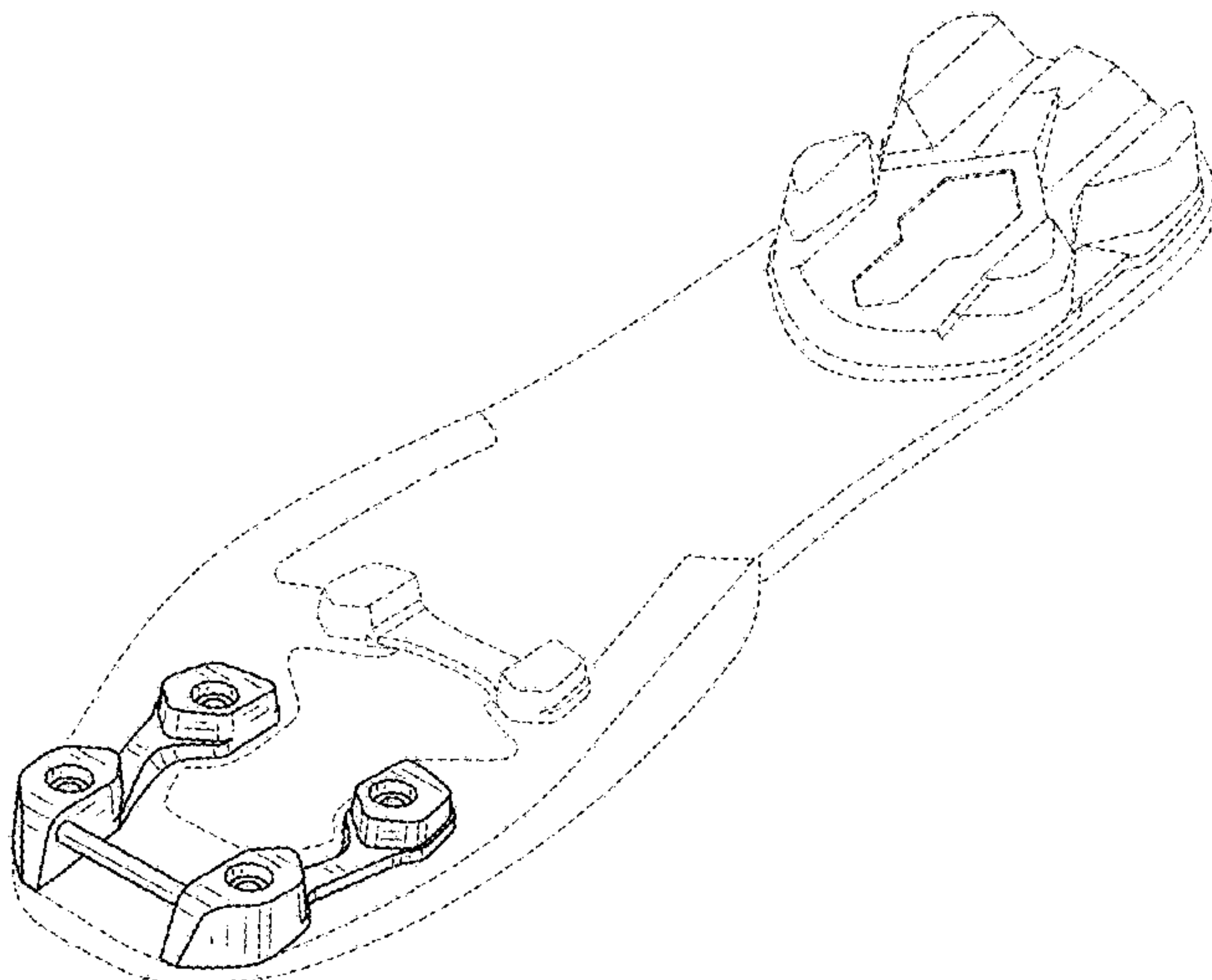
I claim the ornamental design for a sole of a cross-country ski footwear article, as shown and described.

**DESCRIPTION**

FIG. 1 is a bottom, front, side perspective view of a sole of a cross-country ski footwear article;  
FIG. 2 is a bottom, front, side perspective view of the sole of a cross-country ski footwear article of FIG. 1;  
FIG. 3 is a bottom view of the sole of a cross-country ski footwear article of FIG. 1;  
FIG. 4 is a side view of the sole of a cross-country ski footwear article of FIG. 1;  
FIG. 5 is a front view of the sole of a cross-country ski footwear article of FIG. 1; and,  
FIG. 6 is a rear view of the sole of a cross-country ski footwear article of FIG. 1.

The ornamental design that is claimed is shown in the drawings.

**1 Claim, 3 Drawing Sheets**

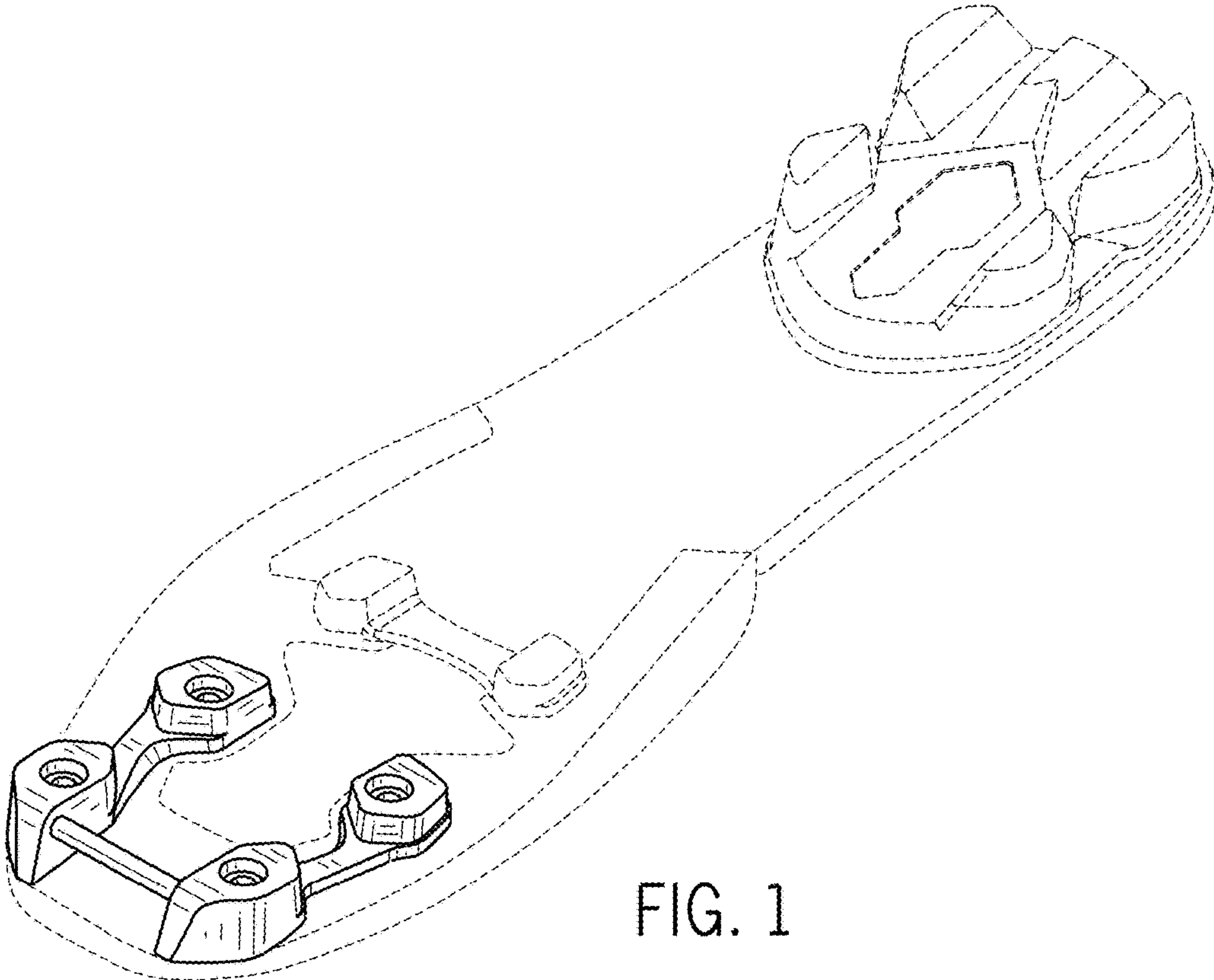


(56)

References Cited

U.S. PATENT DOCUMENTS

D460,608 S	7/2002	Laberge et al.	D636,980 S	5/2011	Grenet
D460,853 S	7/2002	Sakai	D668,853 S	5/2011	Grenet
D461,946 S	8/2002	Burt	D644,824 S	9/2011	Leleu
D462,157 S	9/2002	Burt	D660,567 S	5/2012	Borel et al.
D467,712 S	9/2002	Burt	D661,878 S	6/2012	Grenet
D469,949 S	2/2003	Koo	D668,852 S	10/2012	Bosomworth
D471,697 S	3/2003	Laberge	D677,450 S	3/2013	Amphyon
D472,698 S	4/2003	Gay	D677,451 S	3/2013	Amphyon
D473,366 S	4/2003	Hillyer	D684,755 S	6/2013	Miette
D473,698 S	4/2003	Hillyer	D720,124 S	12/2014	Grenet
D478,715 S	8/2003	Burt	9,326,563 B2 *	5/2016	Svensson ..... A43B 5/0411
D481,528 S	11/2003	St-louis	D773,164 S *	12/2016	Yun ..... D2/951
D487,840 S	3/2004	Hillyer	9,724,591 B2 *	8/2017	Slaughter ..... A63C 5/061
D488,294 S	4/2004	Lancon	2007/0235984 A1 *	10/2007	Miralles ..... A43B 5/0413
D495,480 S	9/2004	Laberge			280/615
D531,394 S *	11/2006	Bonnemere ..... D2/957	2008/0127523 A1 *	6/2008	Hauglin ..... A43B 5/0411
D546,531 S	7/2007	Bertholon			36/117.2
D570,584 S	6/2008	Gay	2013/0147160 A1 *	6/2013	Svensson ..... A43B 5/0421
D579,184 S	6/2008	Gay			280/636
D574,602 S	8/2008	Grenet	2014/0115929 A1 *	5/2014	Svensson ..... A43B 5/0486
D604,488 S	11/2009	Amphyon			36/117.3
D612,135 S	3/2010	Borel et al.	2014/0115930 A1 *	5/2014	Svensson ..... A43B 5/0411
D614,382 S	4/2010	Grenet et al.			36/117.3
D622,041 S	8/2010	Richard	2014/0217703 A1 *	8/2014	Brandl ..... A63C 9/001
D622,043 S *	8/2010	Hauglin ..... D2/951			280/614
			2017/0027274 A1 *	2/2017	Simonetti ..... A43B 5/0411
			2017/0208893 A1 *	7/2017	Garbujo ..... A43B 5/0413
					* cited by examiner



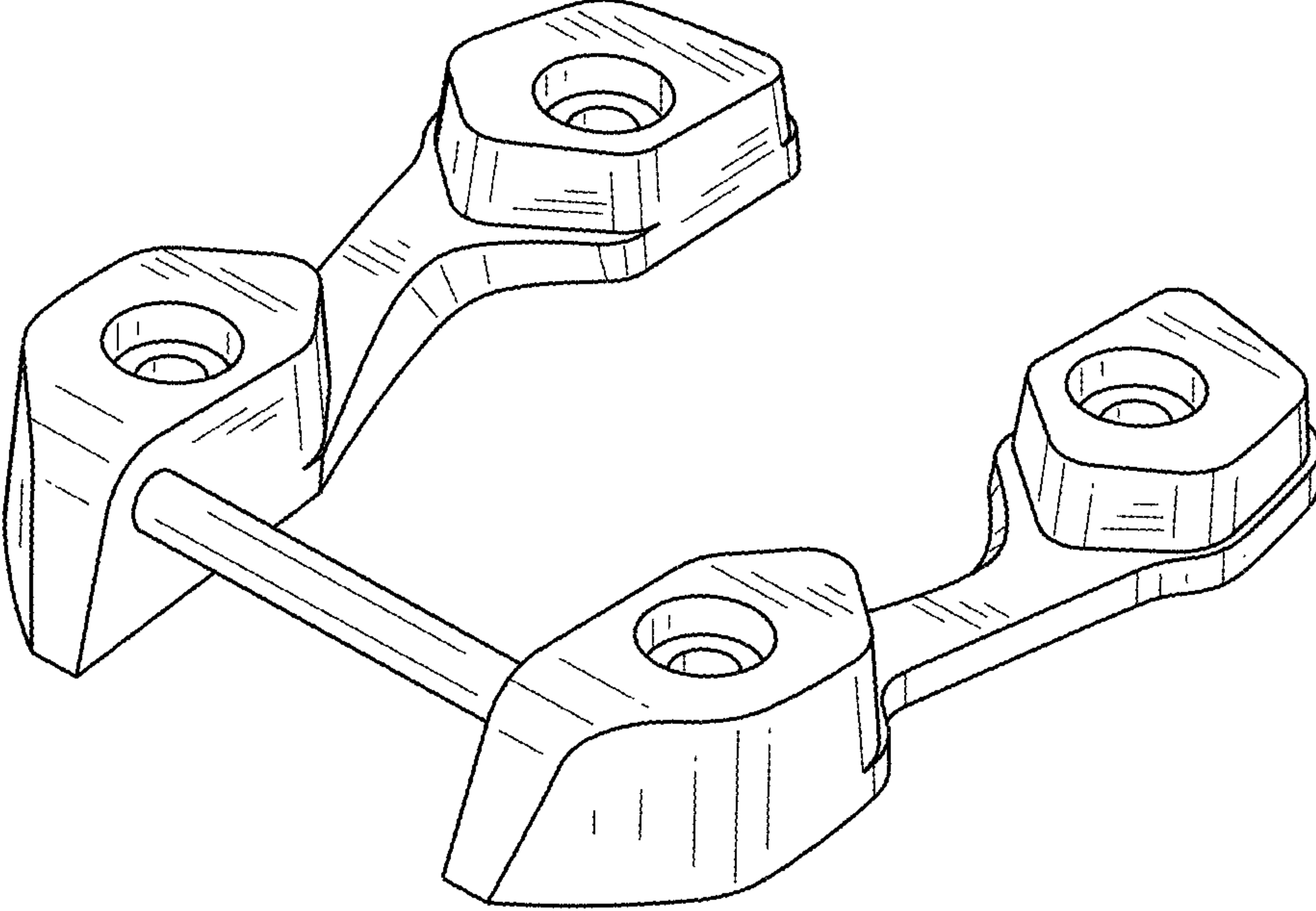


FIG. 2

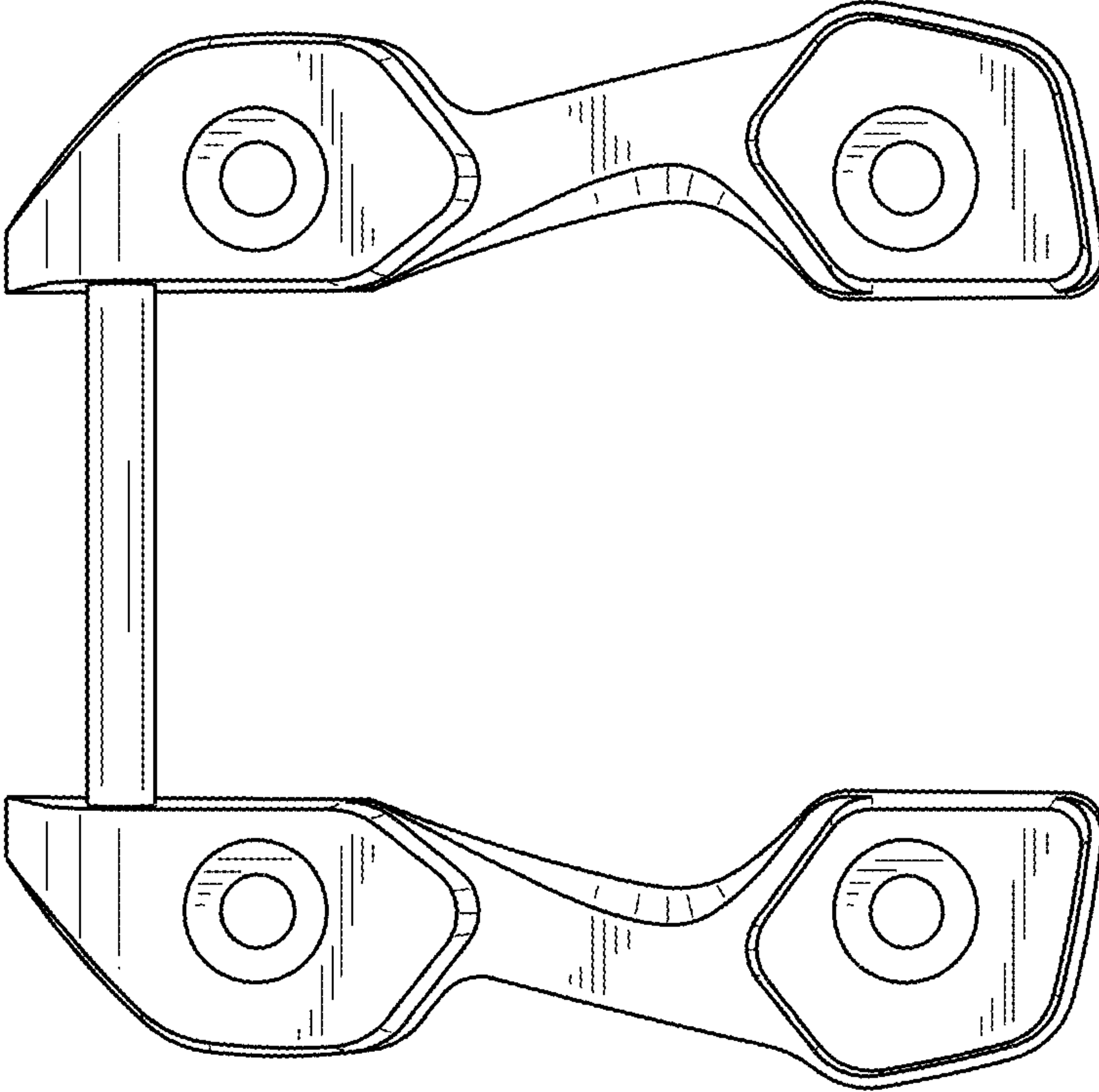


FIG. 3



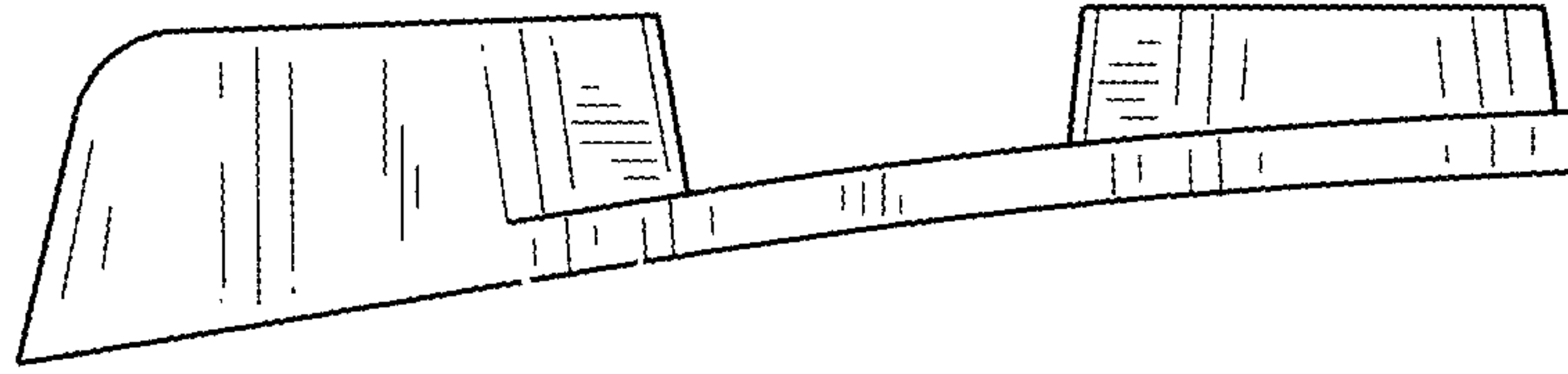


FIG. 4

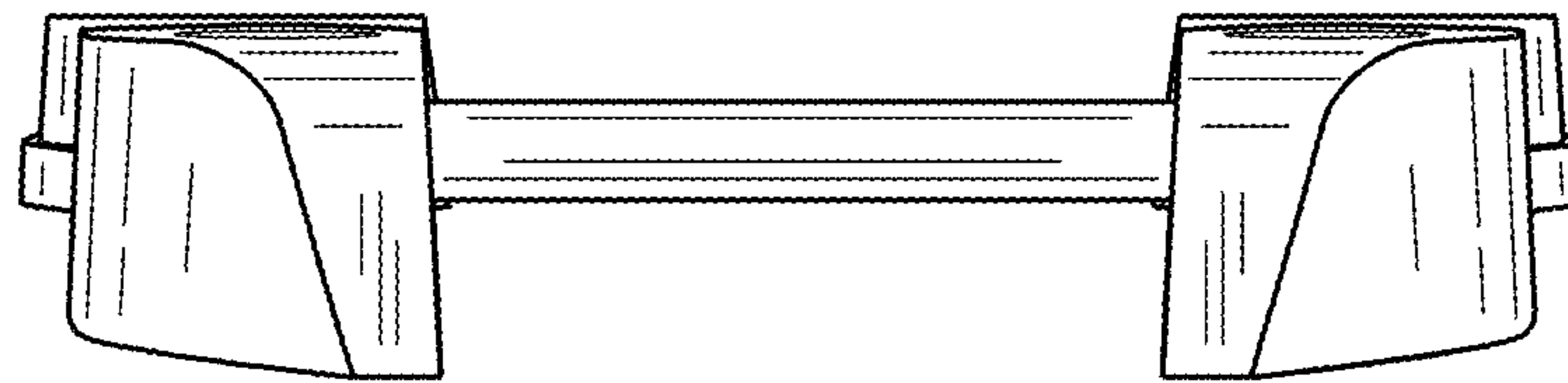


FIG. 5

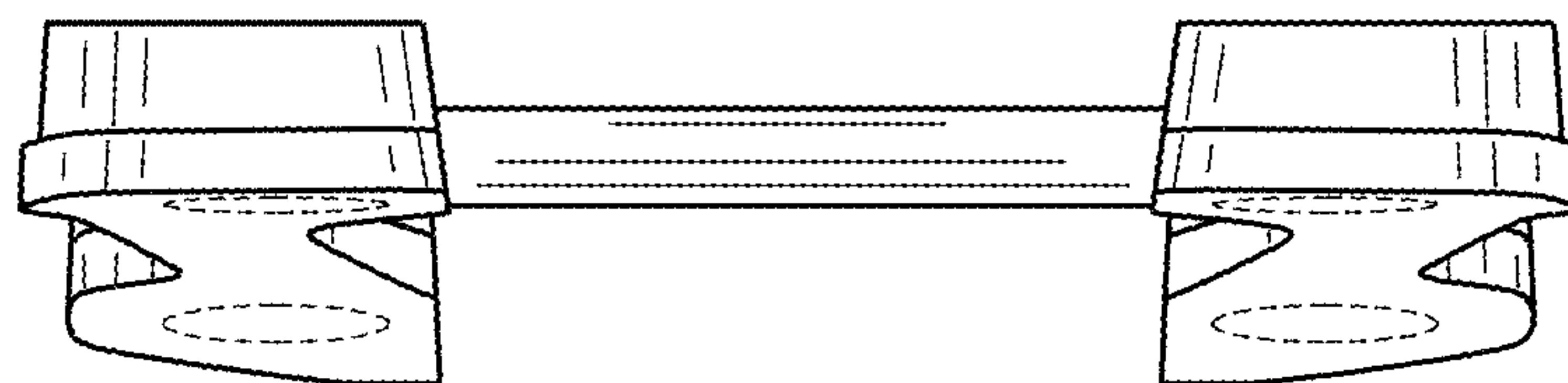


FIG. 6