



US00D812863S

(12) **United States Design Patent** (10) **Patent No.:** **US D812,863 S**
Birkinhead (45) **Date of Patent:** **** Mar. 20, 2018**

- (54) **SHOE**
- (71) Applicant: **Reebok International Limited**, London (GB)
- (72) Inventor: **Toby Birkinhead**, Hertfordshire (GB)
- (73) Assignee: **Reebok International Limited**, London (GB)
- (**) Term: **15 Years**
- (21) Appl. No.: **29/608,996**
- (22) Filed: **Jun. 27, 2017**

7,337,560 B2 *	3/2008	Marvin	A43B 13/20 36/29
D570,089 S	6/2008	Avar	
D578,294 S	10/2008	Mervar et al.	
D579,186 S	10/2008	Mervar et al.	
D587,001 S	2/2009	Jarvis	
D598,189 S	8/2009	Lamont	
D608,991 S	2/2010	Lamont	
D636,587 S	4/2011	Williams, Jr.	
8,196,322 B2	6/2012	Atsumi et al.	
D667,622 S	9/2012	Spring	
D670,479 S	11/2012	Maier	
8,572,866 B2	11/2013	Dojan et al.	

(Continued)

Related U.S. Application Data

- (60) Continuation of application No. 29/558,737, filed on Mar. 21, 2016, now Pat. No. Des. 791,450, which is a division of application No. 29/476,543, filed on Dec. 13, 2013, now Pat. No. Des. 753,376.
- (51) **LOC (11) Cl.** **02-04**
- (52) **U.S. Cl.**
USPC **D2/902**
- (58) **Field of Classification Search**
USPC D2/896, 902, 904, 906-908, 911, 972;
36/45-49, 50.1, 77 M, 77 R, 83, 88, 113,
36/114, 124, 126
CPC .. A43B 5/00; A43B 5/02; A43B 5/025; A43B
7/00; A43B 7/08; A43B 23/0235
See application file for complete search history.

References Cited

U.S. PATENT DOCUMENTS

2,205,356 A *	6/1940	Gruensfelder	A43B 1/02 112/414
D377,263 S	1/1997	Lucas	
D397,855 S *	9/1998	Clarke	D2/972
D424,798 S *	5/2000	McDowell	D2/972
D496,152 S	9/2004	Doxey	
D522,735 S *	6/2006	Mermet	D2/972

OTHER PUBLICATIONS

Nike Air Pegasus 31, announced Jun. 2014, [online], site visited Feb. 18, 2017. Available from Internet, <URL:http://www.solereview.com>.

Primary Examiner — Derrick E Holland
Assistant Examiner — Janice Julia Patyk
(74) *Attorney, Agent, or Firm* — Sterne, Kessler, Goldstein & Fox P.L.L.C.

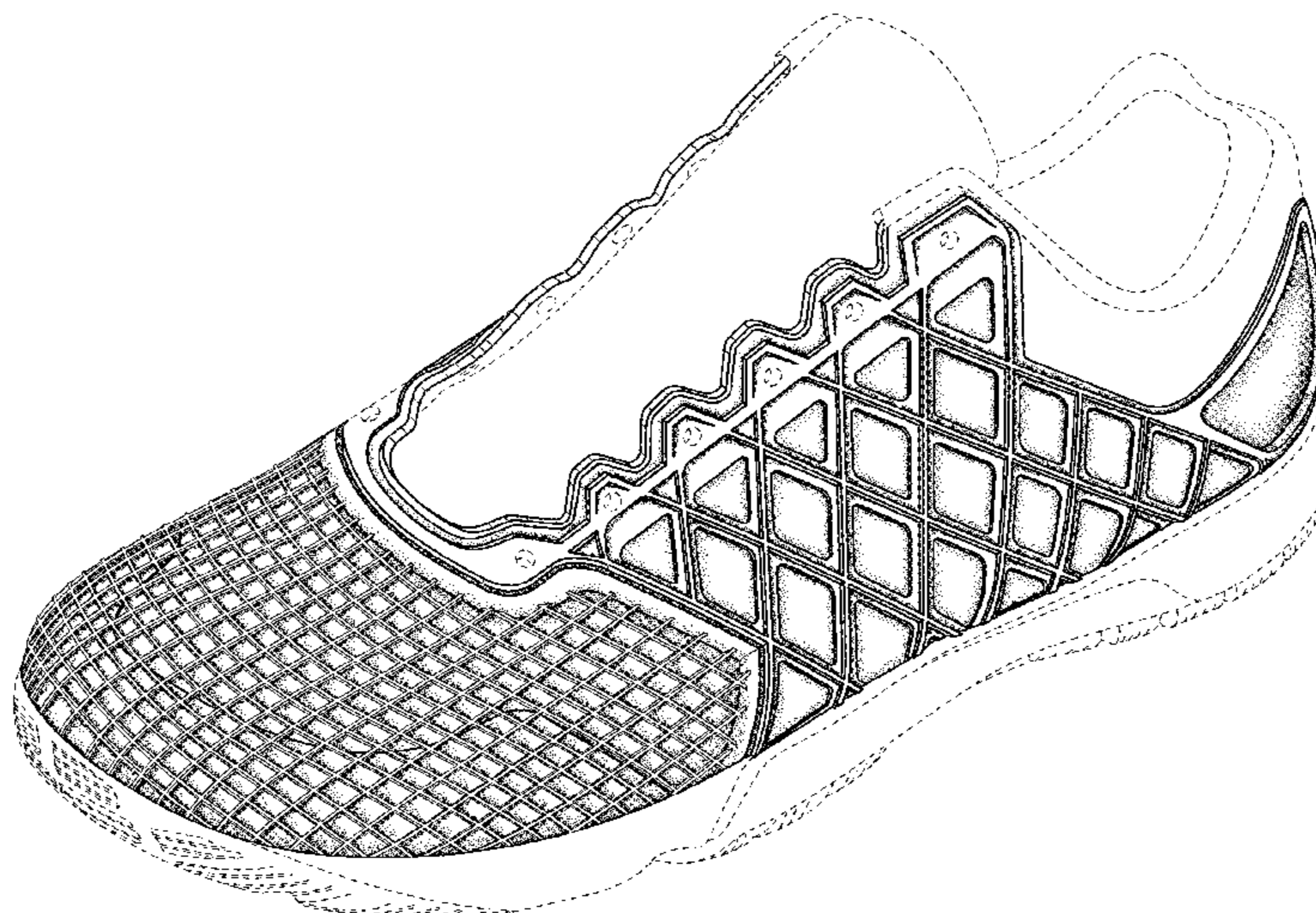
(57) **CLAIM**

The ornamental design for a shoe, as shown and described.

DESCRIPTION

FIG. 1 is a perspective view of a shoe showing the claimed design;
FIG. 2 is a top view thereof;
FIG. 3 is a bottom view thereof;
FIG. 4 is a side view thereof;
FIG. 5 is an opposite side view thereof;
FIG. 6 is a front view thereof; and,
FIG. 7 is a rear view thereof.
The broken lines in the figures show portions of the shoe that form no part of the claimed design.

1 Claim, 6 Drawing Sheets



(56)

References Cited

U.S. PATENT DOCUMENTS

D710,586	S	8/2014	Williams, Jr.	
D718,032	S	11/2014	VanHook	
D719,337	S	12/2014	Miner	
2004/0088888	A1	5/2004	Johnston	
2005/0016023	A1	1/2005	Burris et al.	
2005/0028403	A1*	2/2005	Swigart	A43B 13/20 36/28
2006/0048413	A1	3/2006	Sokolowski et al.	
2008/0250668	A1*	10/2008	Marvin	A43B 9/12 36/54
2009/0183392	A1	7/2009	Shane	
2011/0088282	A1	4/2011	Dojan et al.	
2012/0023786	A1*	2/2012	Dojan	A43B 23/0275 36/25 R
2013/0303041	A1	11/2013	Kim	

* cited by examiner

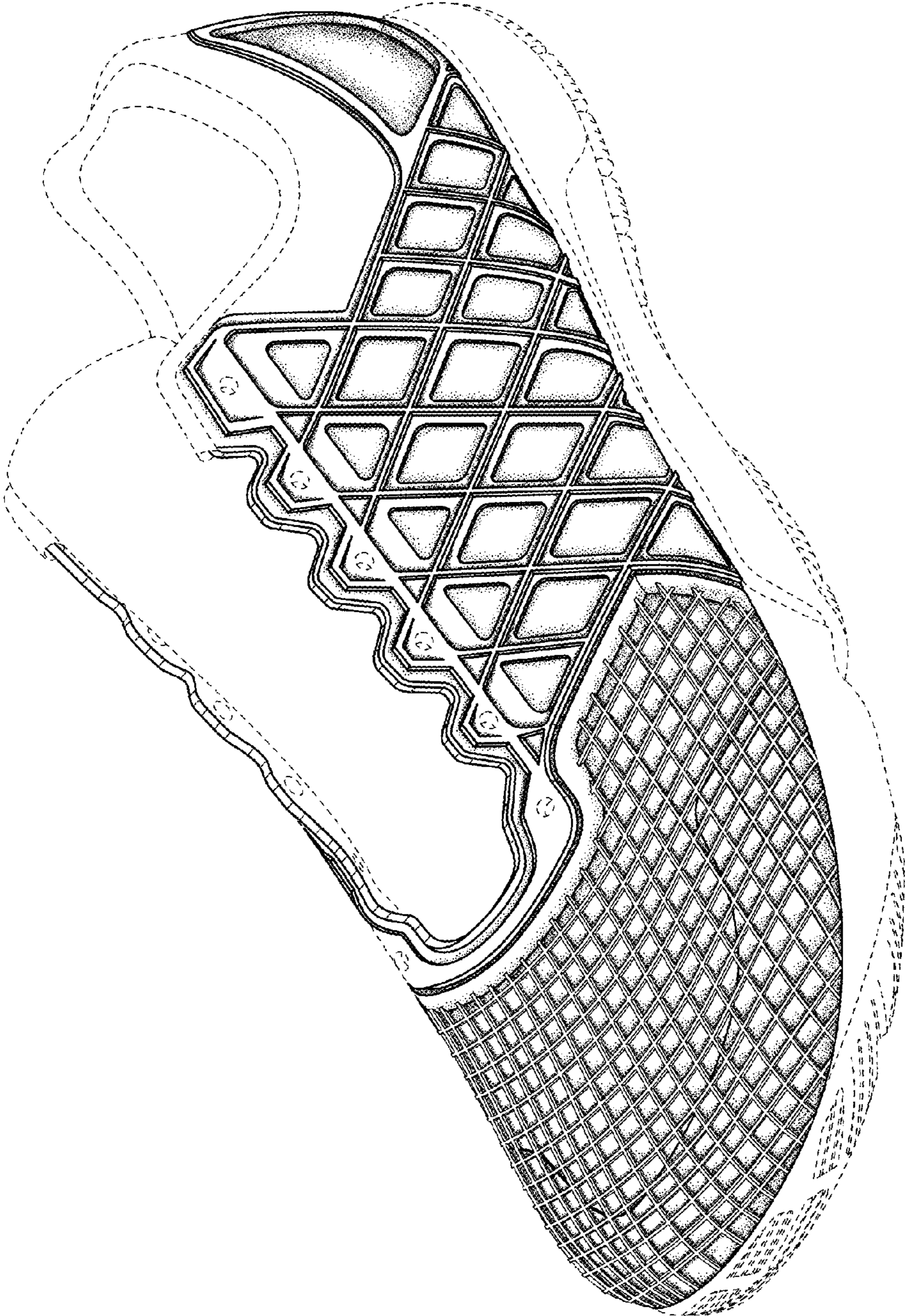


FIG. 1

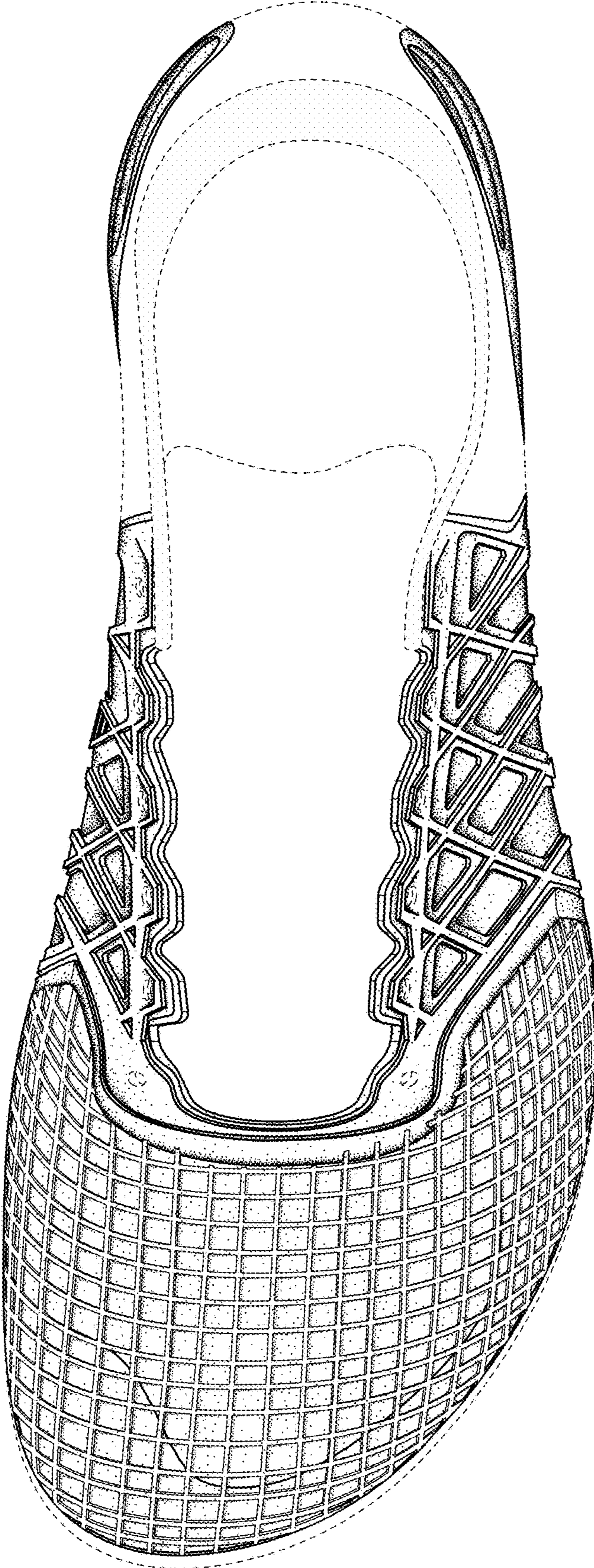


FIG. 2

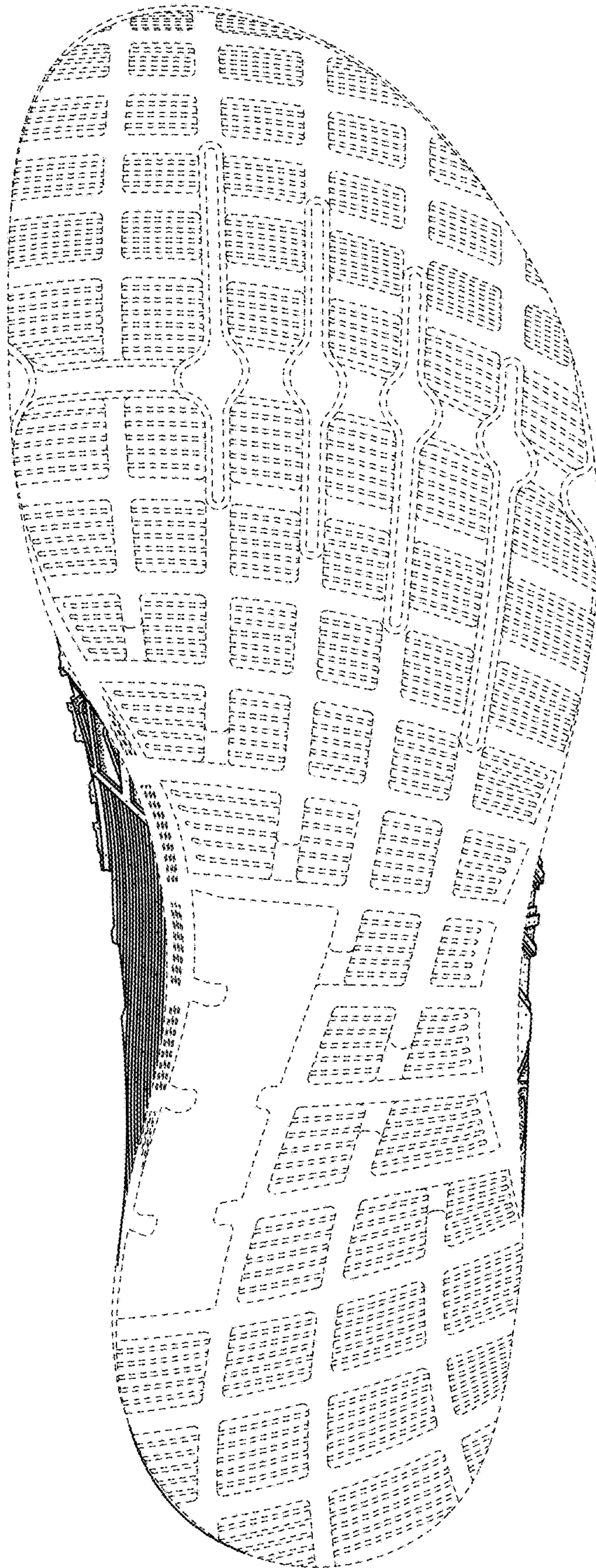


FIG. 3

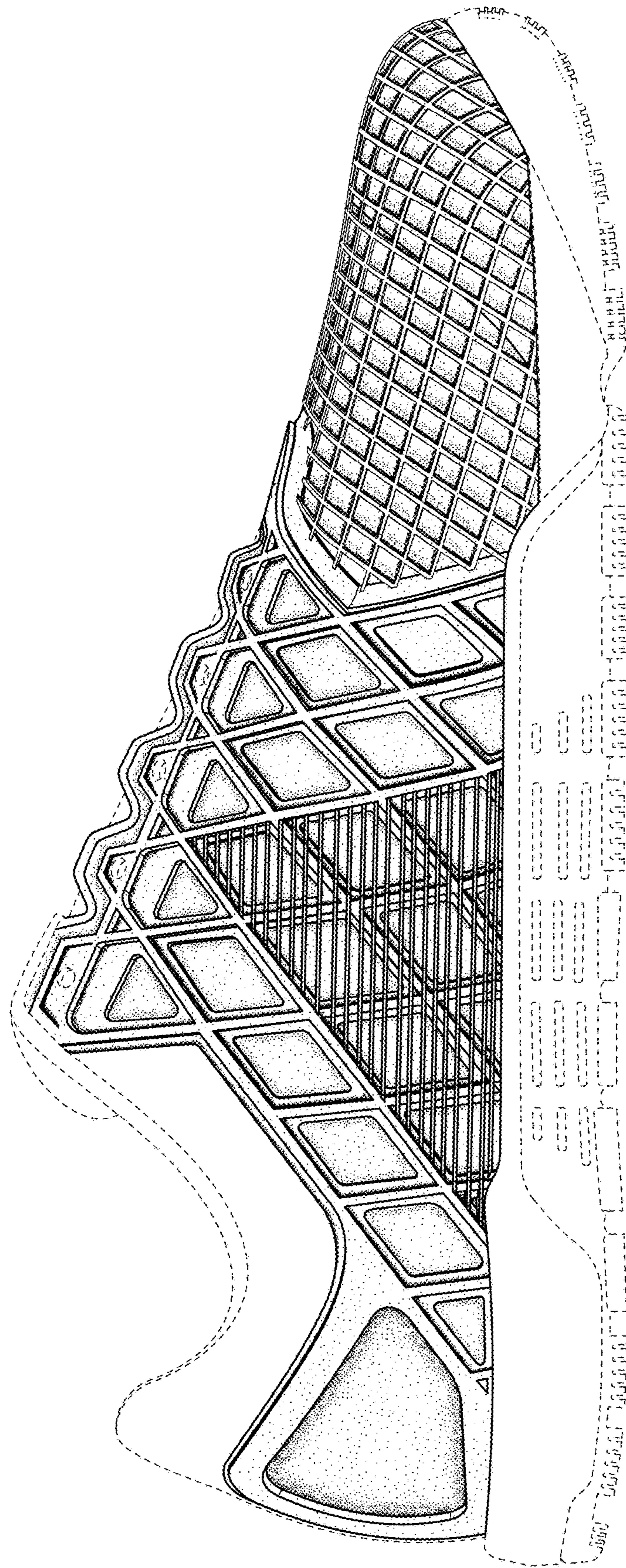


FIG. 4

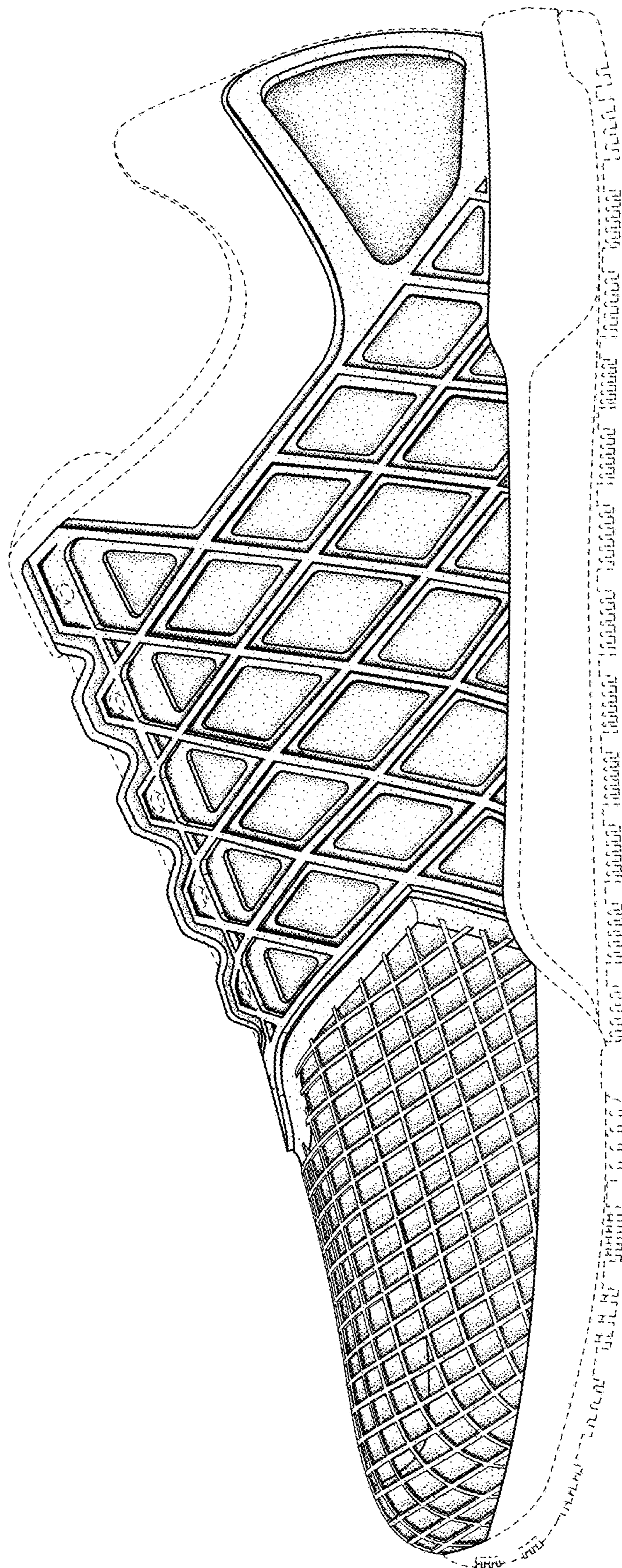


FIG. 5

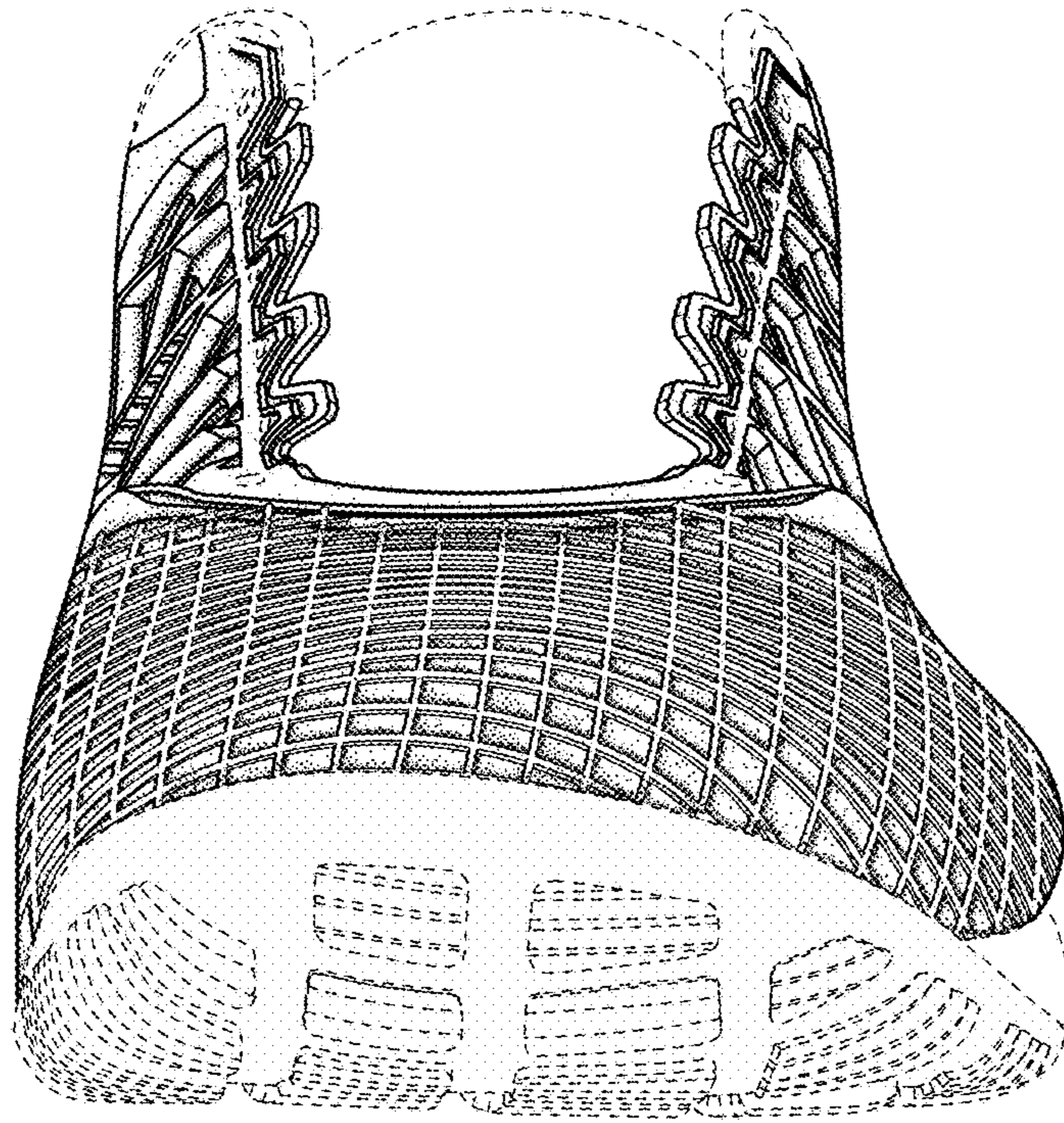


FIG. 6

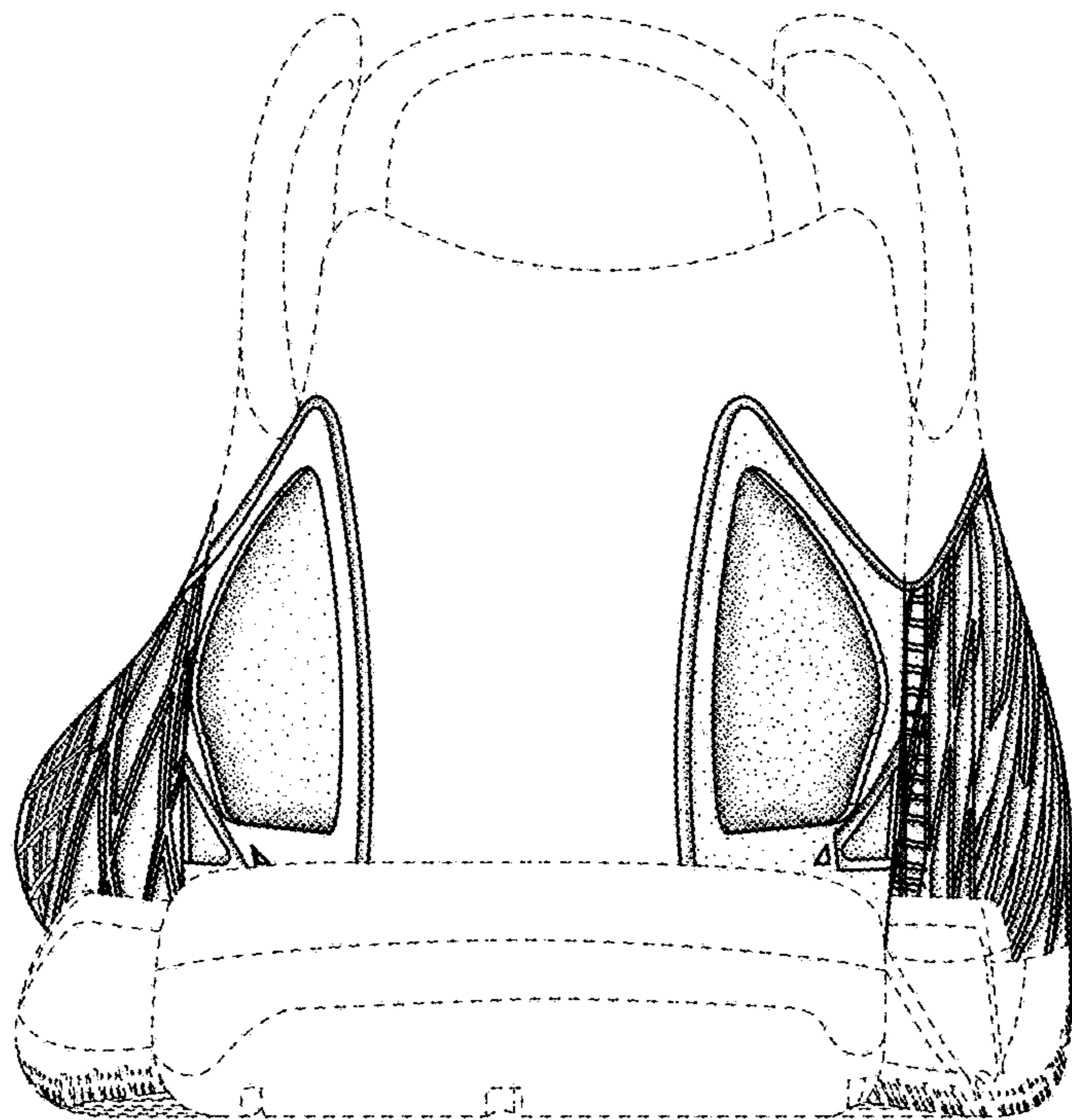


FIG. 7