



US00D812862S

(12) **United States Design Patent**
Powell

(10) **Patent No.:** **US D812,862 S**
(45) **Date of Patent:** **** Mar. 20, 2018**

(54) **LEG GARMENT**

(71) Applicant: **Sylvia Powell**, St. Albans, NY (US)

(72) Inventor: **Sylvia Powell**, St. Albans, NY (US)

(**) Term: **15 Years**

(21) Appl. No.: **29/594,581**

(22) Filed: **Feb. 21, 2017**

(51) **LOC (11) Cl.** **02-04**

(52) **U.S. Cl.**
USPC **D2/901**

(58) **Field of Classification Search**
USPC D02/897, 901, 910-913, 946, 970, 971;
36/2 R, 7.2, 7.3, 7.1 R, 100, 101, 45;
2/61; D24/190, 192
CPC A41D 17/00; A41D 17/005
See application file for complete search history.

(56) **References Cited**

U.S. PATENT DOCUMENTS

- 2,532,024 A * 11/1950 Hoffman A41D 17/00
36/2 R
- 4,306,315 A * 12/1981 Castiglia A63B 71/1225
2/22
- D354,615 S * 1/1995 Parker D2/901
- 6,185,752 B1 * 2/2001 Hendersen A41D 17/00
2/23

- D551,828 S * 10/2007 Winjum D2/901
- D655,896 S * 3/2012 Kang D2/901
- D658,359 S * 5/2012 Spring D2/911
- D718,022 S * 11/2014 Shelton D2/901
- D740,524 S * 10/2015 Brown D2/901

* cited by examiner

Primary Examiner — Holly H Baynham
Assistant Examiner — Rashida C. Walshon
(74) *Attorney, Agent, or Firm* — Mitchell Law PLLC;
Matthew W. Mitchell

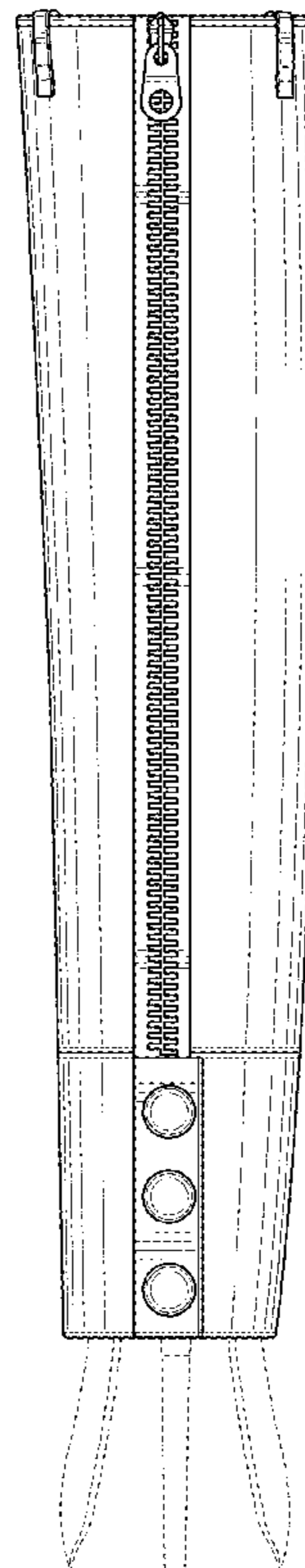
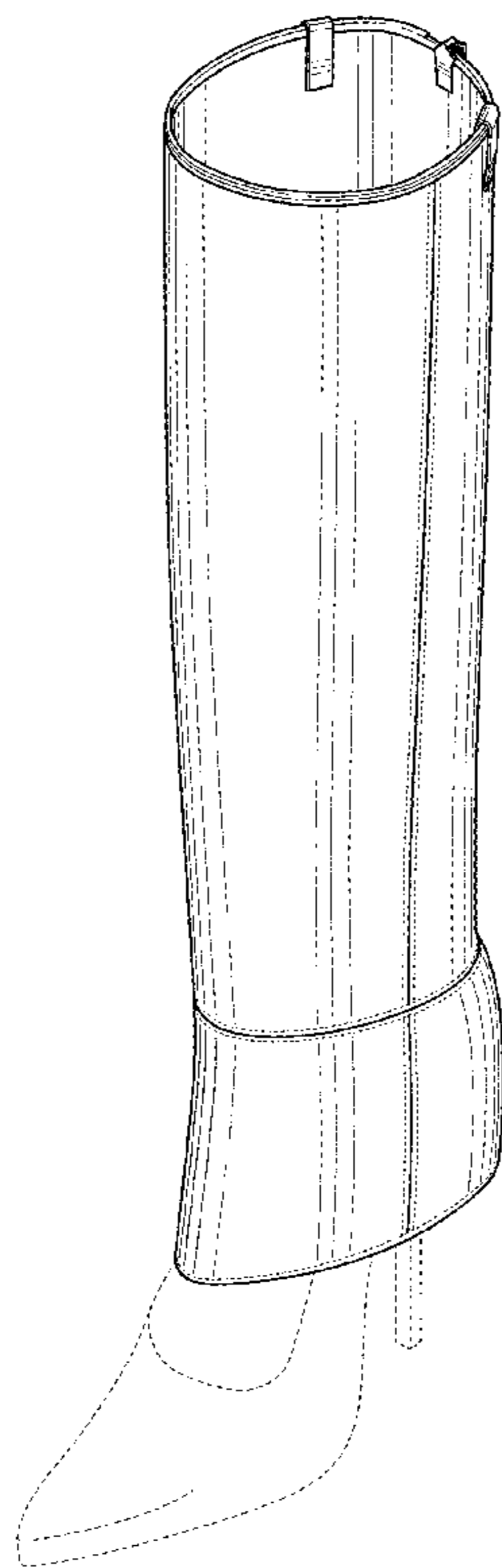
(57) **CLAIM**

The ornamental design for a leg garment, as shown and described.

DESCRIPTION

FIG. 1 is a front isometric view of the leg garment of the present invention;
FIG. 2 is a front view of the invention of FIG. 1;
FIG. 3 is a rear view of the invention of FIG. 1;
FIG. 4 is a side view of the invention of FIG. 1, as seen from the right side of FIG. 2;
FIG. 5 is a side view of the invention of FIG. 1, as seen from the left side of FIG. 2;
FIG. 6 is a top plan view of the invention of FIG. 1; and,
FIG. 7 is a bottom plan view of the invention of FIG. 1.
The dashed lines on the surface of the invention represent claimed stitching, the dashed lines showing a shoe are shown for contextual purposes and form no part of the claimed design.

1 Claim, 6 Drawing Sheets



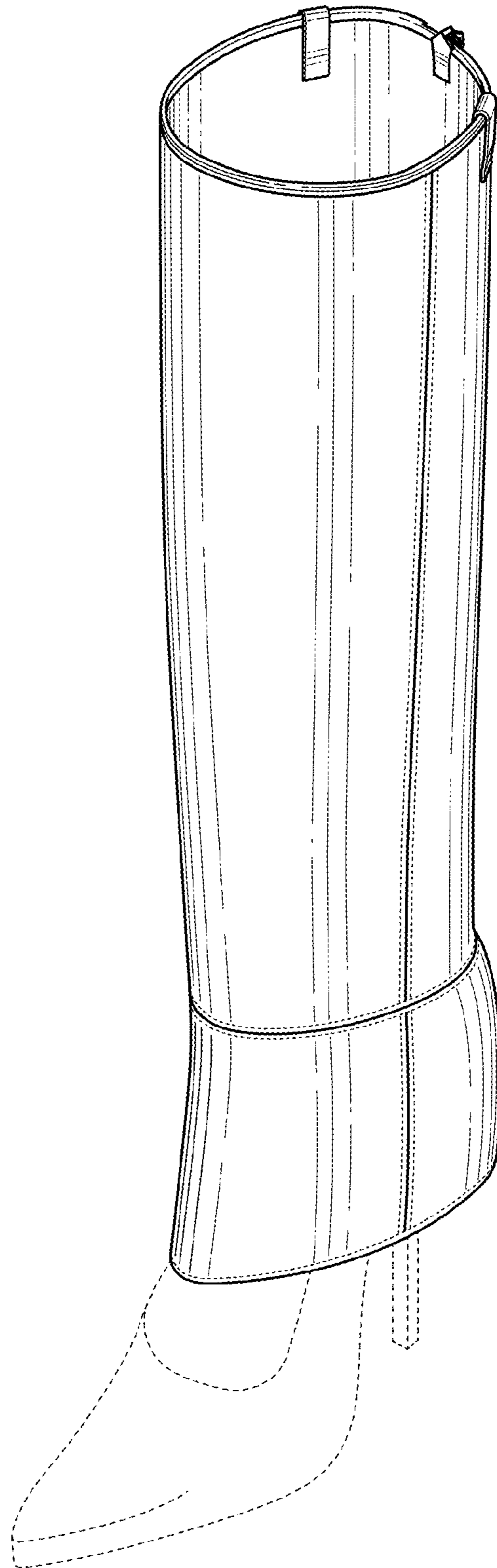


FIG. 1

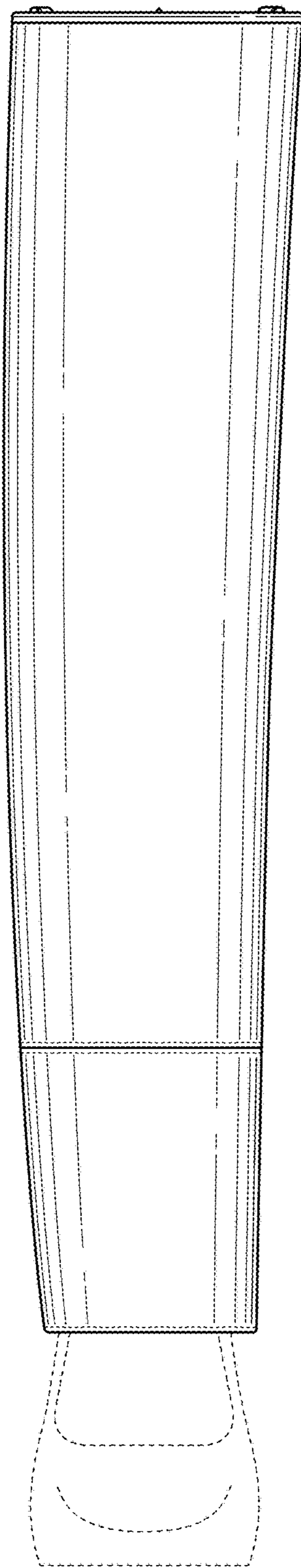


FIG. 2

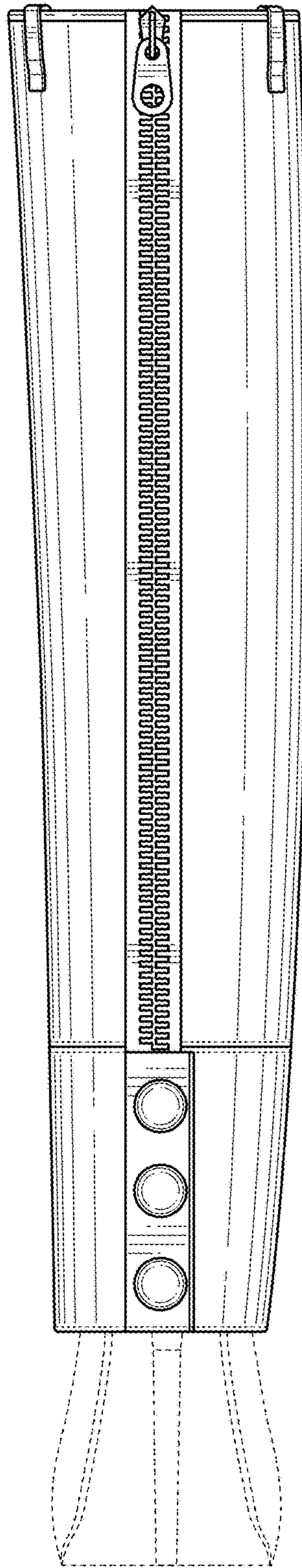


FIG. 3

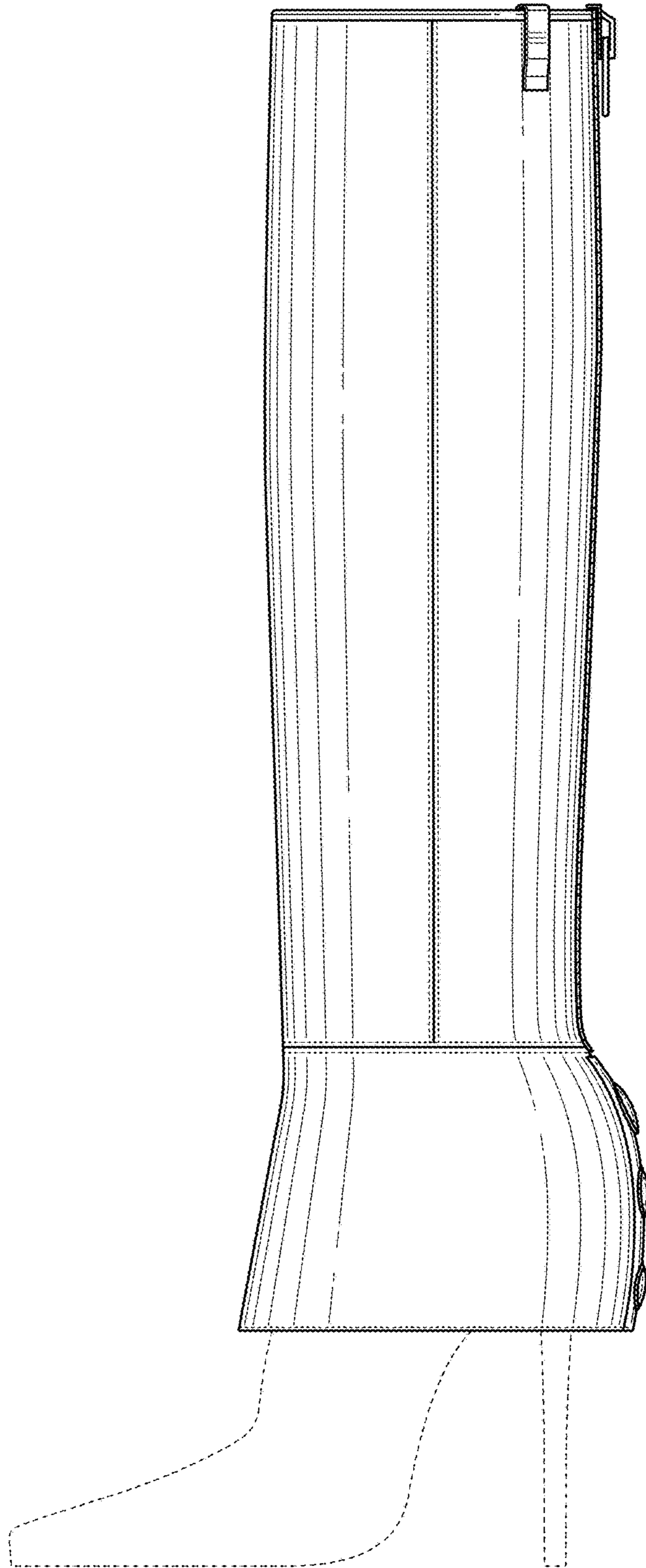


FIG. 4

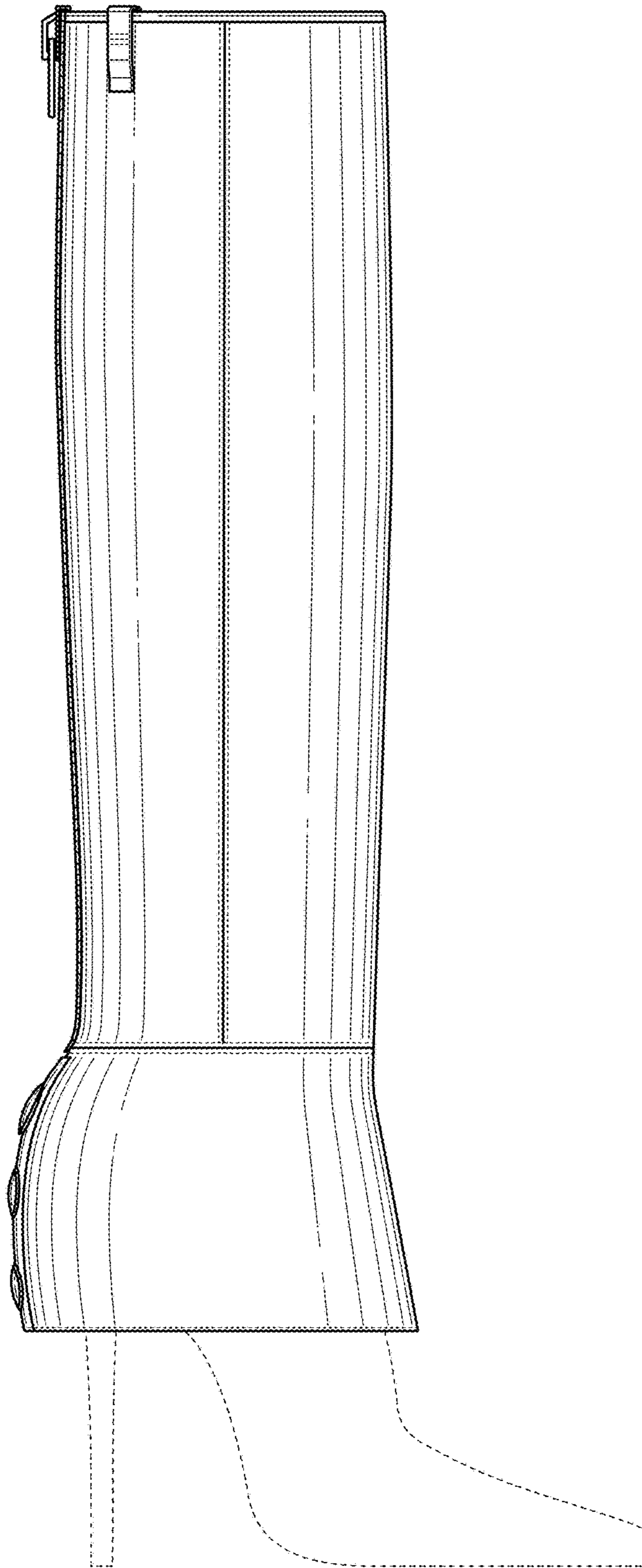


FIG. 5

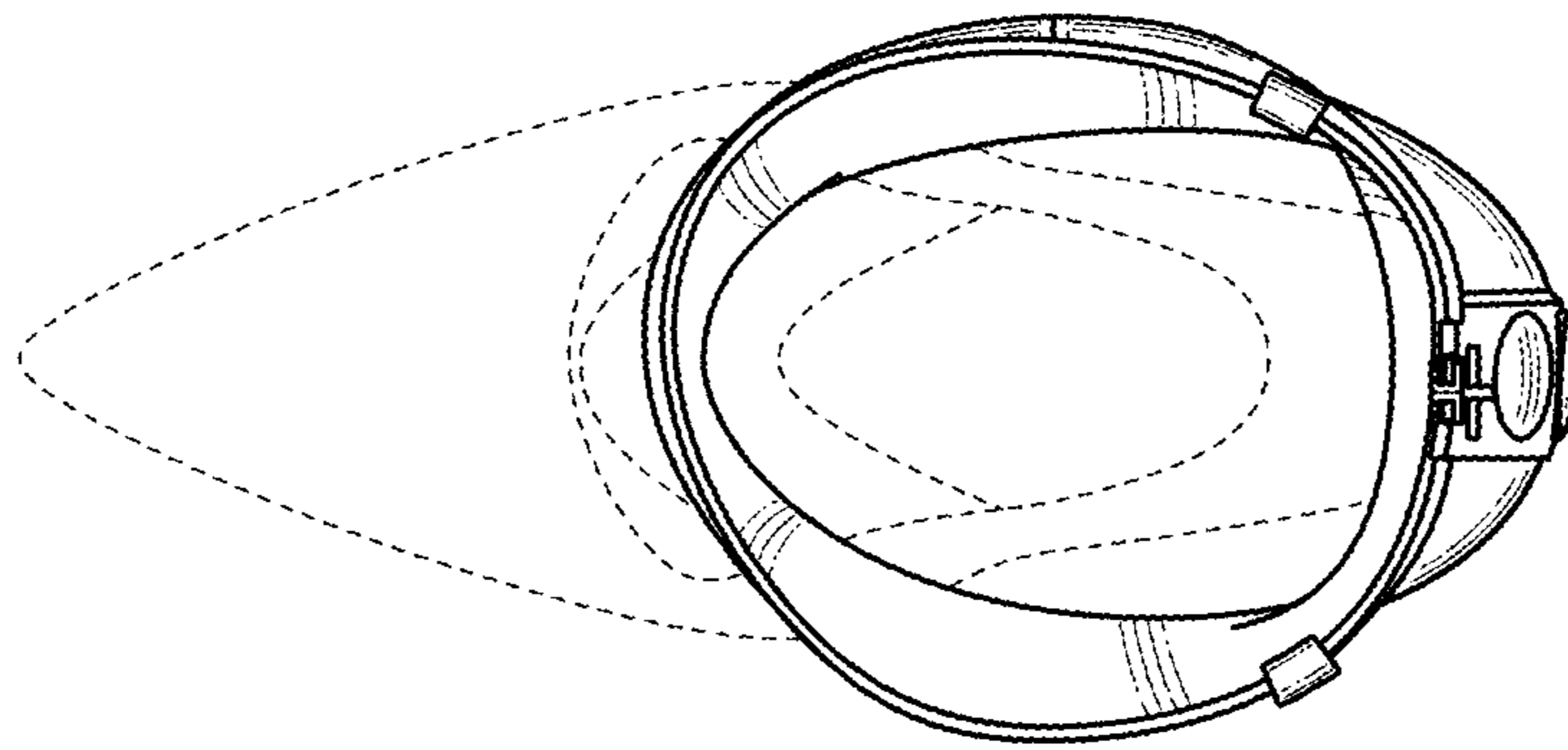


FIG. 6

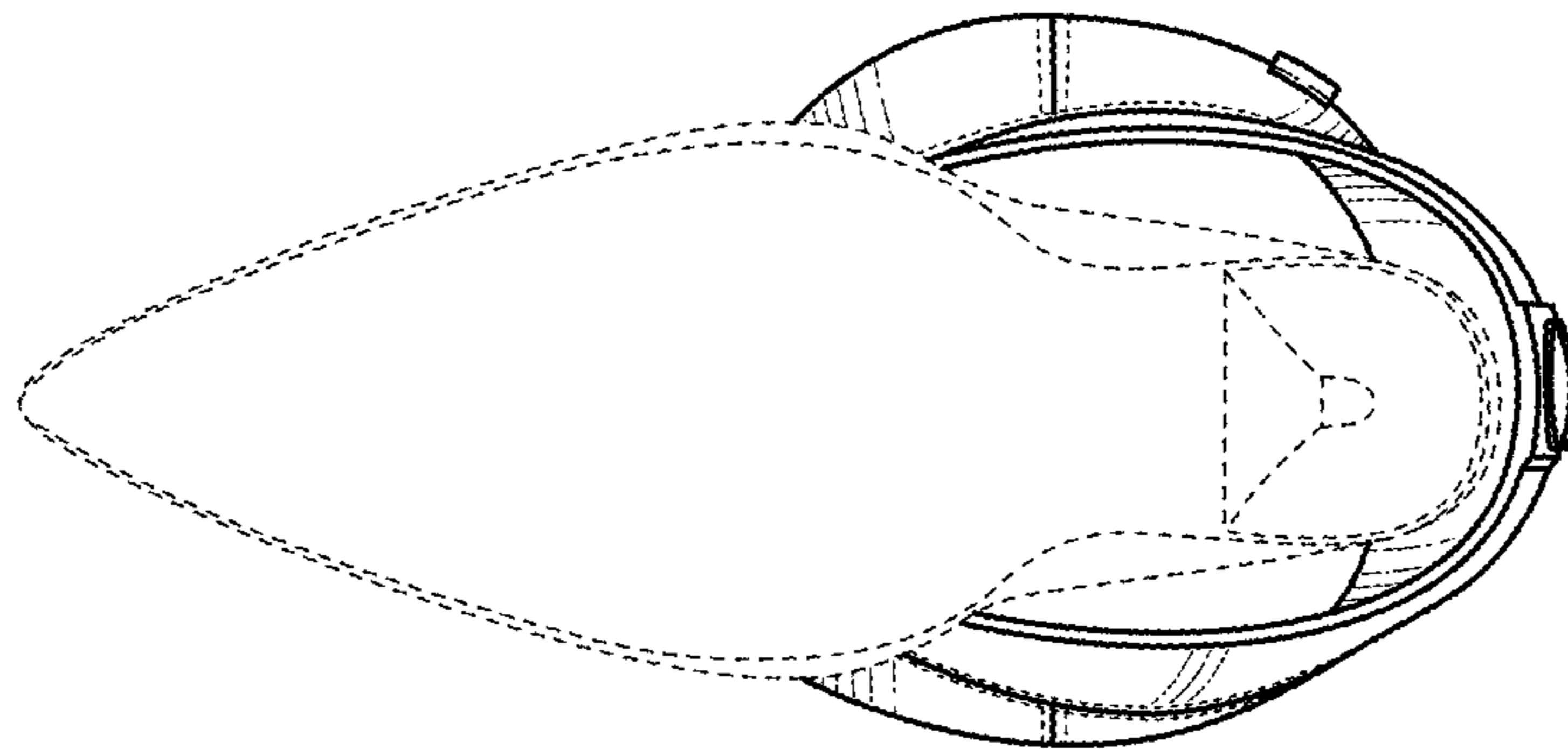


FIG. 7