



US00D812860S

(12) **United States Design Patent**  
**White**

(10) **Patent No.:** **US D812,860 S**

(45) **Date of Patent:** **\*\* Mar. 20, 2018**

(54) **VISOR WITH DRY ERASE SURFACE**

(71) Applicant: **Jesse Jonah White**, Michael, IL (US)

(72) Inventor: **Jesse Jonah White**, Michael, IL (US)

(\*\*) Term: **15 Years**

(21) Appl. No.: **29/586,258**

(22) Filed: **Dec. 1, 2016**

(51) **LOC (11) Cl.** ..... **02-03**

(52) **U.S. Cl.**  
USPC ..... **D2/876; D2/866**

(58) **Field of Classification Search**  
USPC ..... D2/865, 866, 869, 871, 872, 873, 876,  
D2/882, 875, 884, 893  
CPC .. A42B 1/00; A42B 1/004; A42B 1/02; A42B  
1/06; A42B 1/062; A42B 1/201; A42B  
1/22; A42B 1/225; A42B 1/24  
See application file for complete search history.

(56) **References Cited**

**U.S. PATENT DOCUMENTS**

D251,336 S *	3/1979	Getgey	.....	D2/876
D317,223 S *	6/1991	Copeland	.....	D2/872
5,121,506 A *	6/1992	Ulrich	.....	A61F 9/045 2/171.5
5,131,094 A *	7/1992	Ackerman	.....	A61F 9/045 2/12
5,177,811 A *	1/1993	Ulrich	.....	A42B 1/062 2/209.3
5,253,368 A *	10/1993	Blake	.....	A42B 1/248 2/195.1
D360,518 S *	7/1995	Posenauer	.....	D2/872
5,437,062 A *	8/1995	Douglas	.....	A42B 1/064 2/10
5,452,479 A *	9/1995	Mostert	.....	A42B 1/248 2/195.1
D365,916 S *	1/1996	Hutchinson	.....	D2/866
5,548,847 A *	8/1996	Spicijaric	.....	A42B 1/248 2/181

D417,063 S *	11/1999	Henning	.....	D2/866
6,154,992 A *	12/2000	Lee	.....	A42B 1/248 2/209.13
D502,589 S *	3/2005	Lee	.....	D2/876
D545,030 S *	6/2007	Fukunaga	.....	D2/871
D589,235 S *	3/2009	Kelleghan	.....	D2/876
D608,985 S *	2/2010	Whittington	.....	D2/876
D635,336 S	4/2011	Alger		
9,003,570 B2	4/2015	Kay et al.		
D751,794 S *	3/2016	Zenoff	.....	D2/866

(Continued)

*Primary Examiner* — Karen S Acker

*Assistant Examiner* — Jasmine Mlinarcik

(74) *Attorney, Agent, or Firm* — Creativenture Law, LLC;  
Dennis J M Donahue, III

(57) **CLAIM**

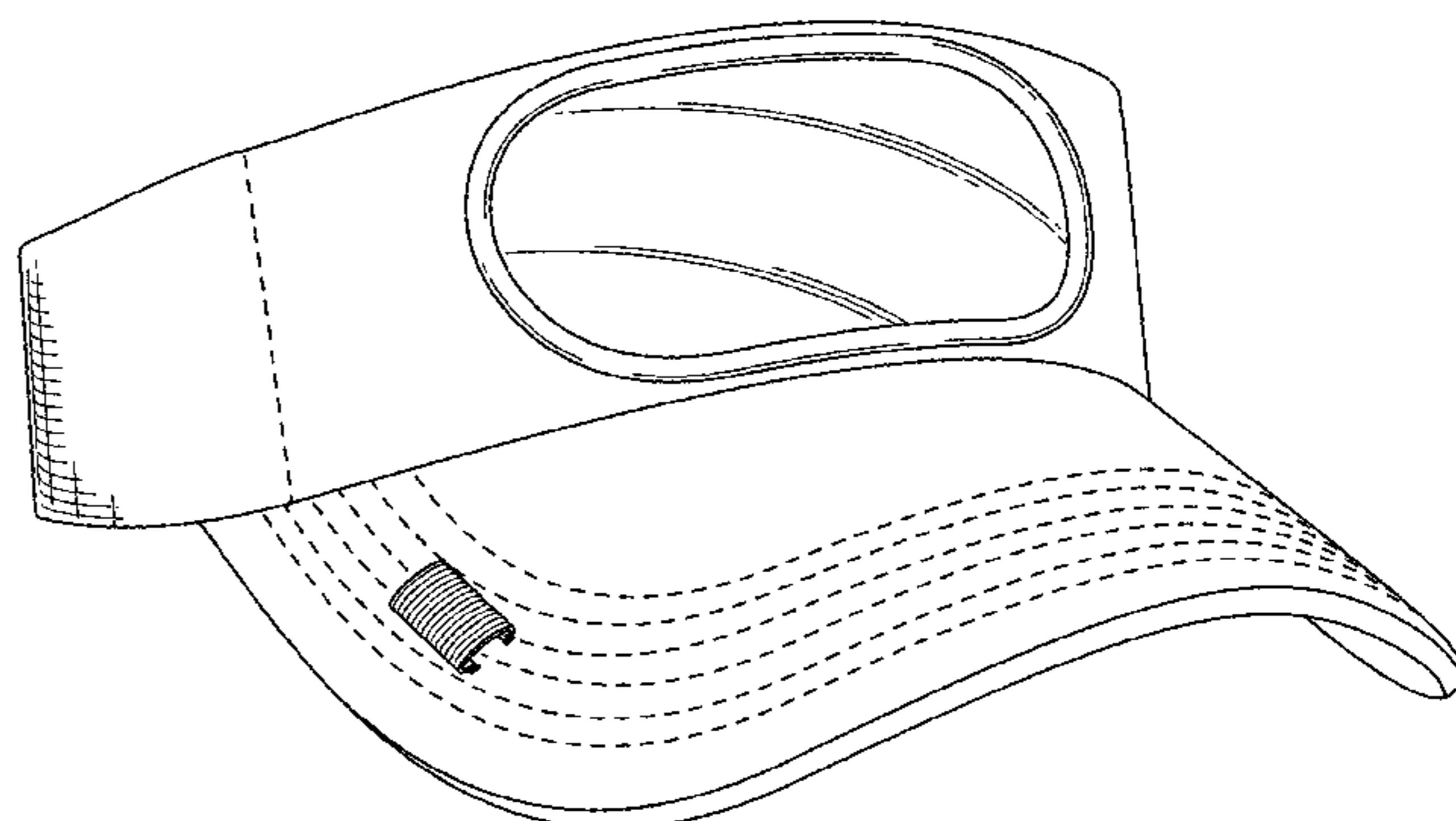
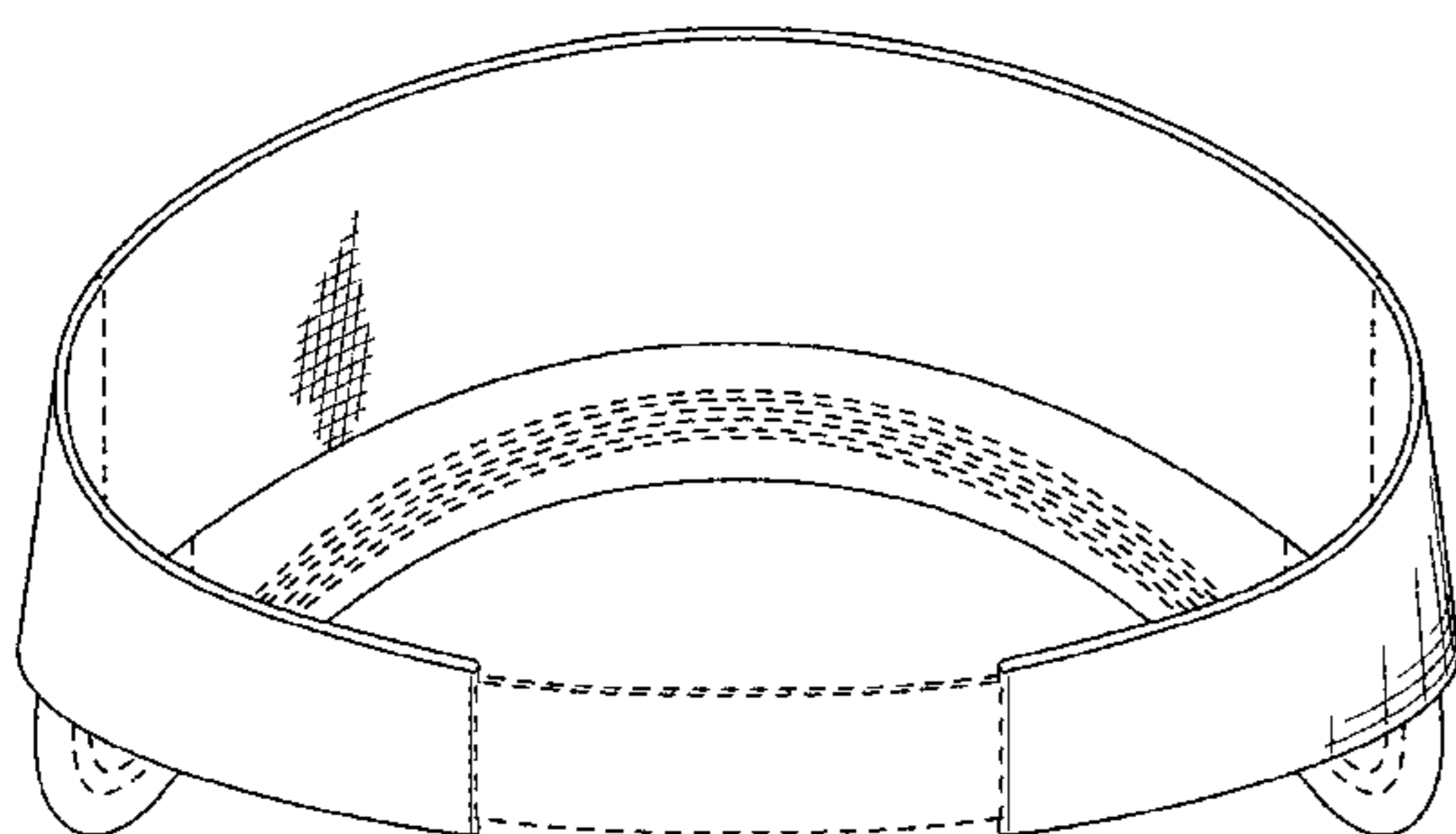
I claim the ornamental design for a visor with dry erase surface, as shown and described.

**DESCRIPTION**

FIG. 1 is a perspective view of a visor with dry erase surface showing the new design in an environment of use;  
 FIG. 2 is a front view of a visor with dry erase surface showing the new design;  
 FIG. 3 is a rear view thereof;  
 FIG. 4 is a top view thereof;  
 FIG. 5 is a bottom view thereof;  
 FIG. 6 is a side view thereof;  
 FIG. 7 is an opposite side view thereof; and,  
 FIG. 8 is a perspective view thereof.

The broken lines along the bill and the band of the visor with dry erase surface represent stitching that forms part of the claimed design. The broken lines which connect the two sides of the band on the rear of the visor in FIGS. 2-7 represent portions of the visor that form no part of the claimed design. The broken lines illustrating a writing instrument in FIG. 1 depict environmental subject matter that forms no part of the claim.

**1 Claim, 7 Drawing Sheets**



(56)

**References Cited**

U.S. PATENT DOCUMENTS

9,603,402 B2 \* 3/2017 Warner ..... A63F 13/00  
2003/0221234 A1 \* 12/2003 Wang ..... A42B 1/22  
2/12  
2012/0005809 A1 \* 1/2012 Johnson ..... A42B 1/248  
2/209.13

\* cited by examiner

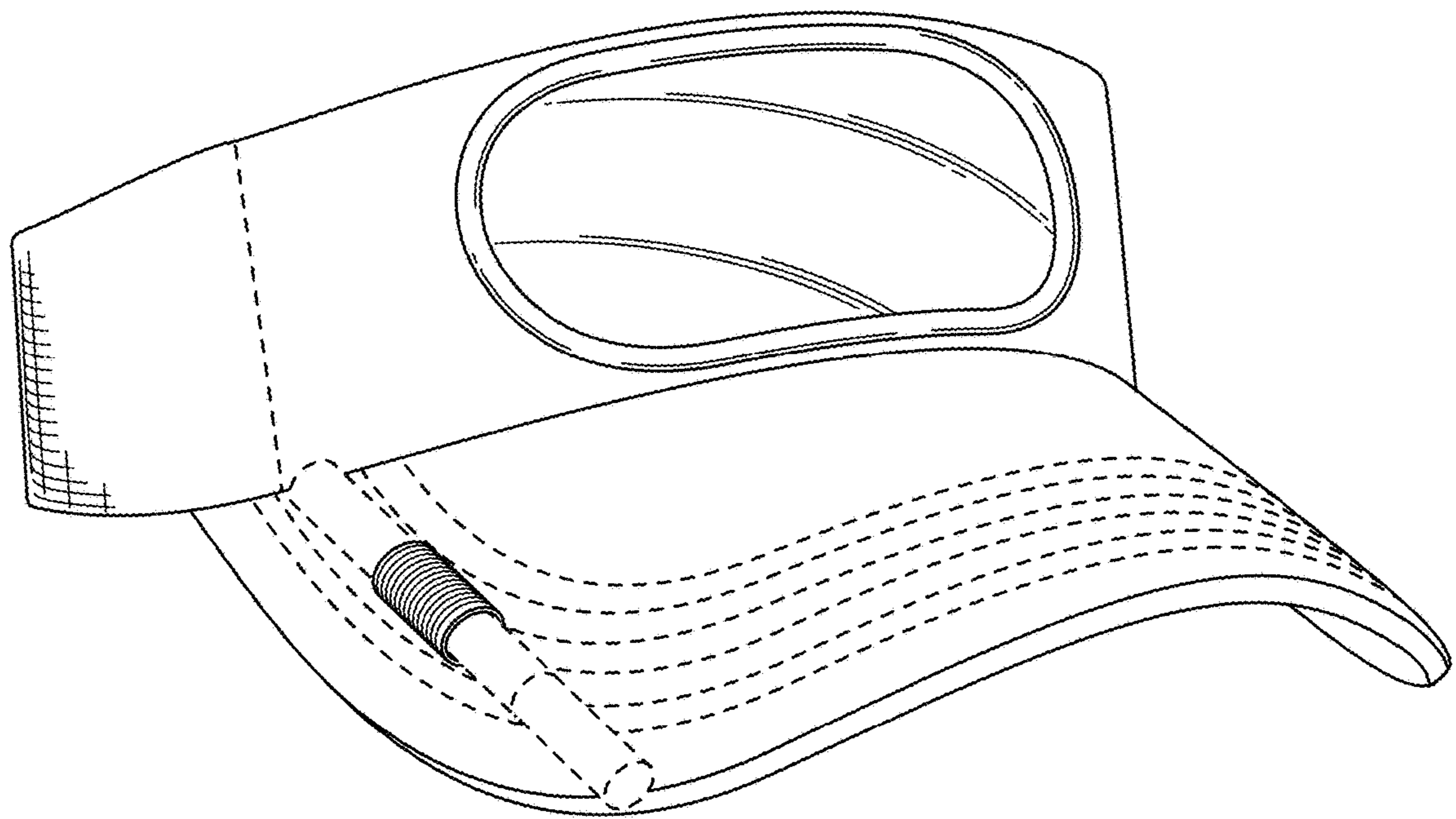


FIG. 1

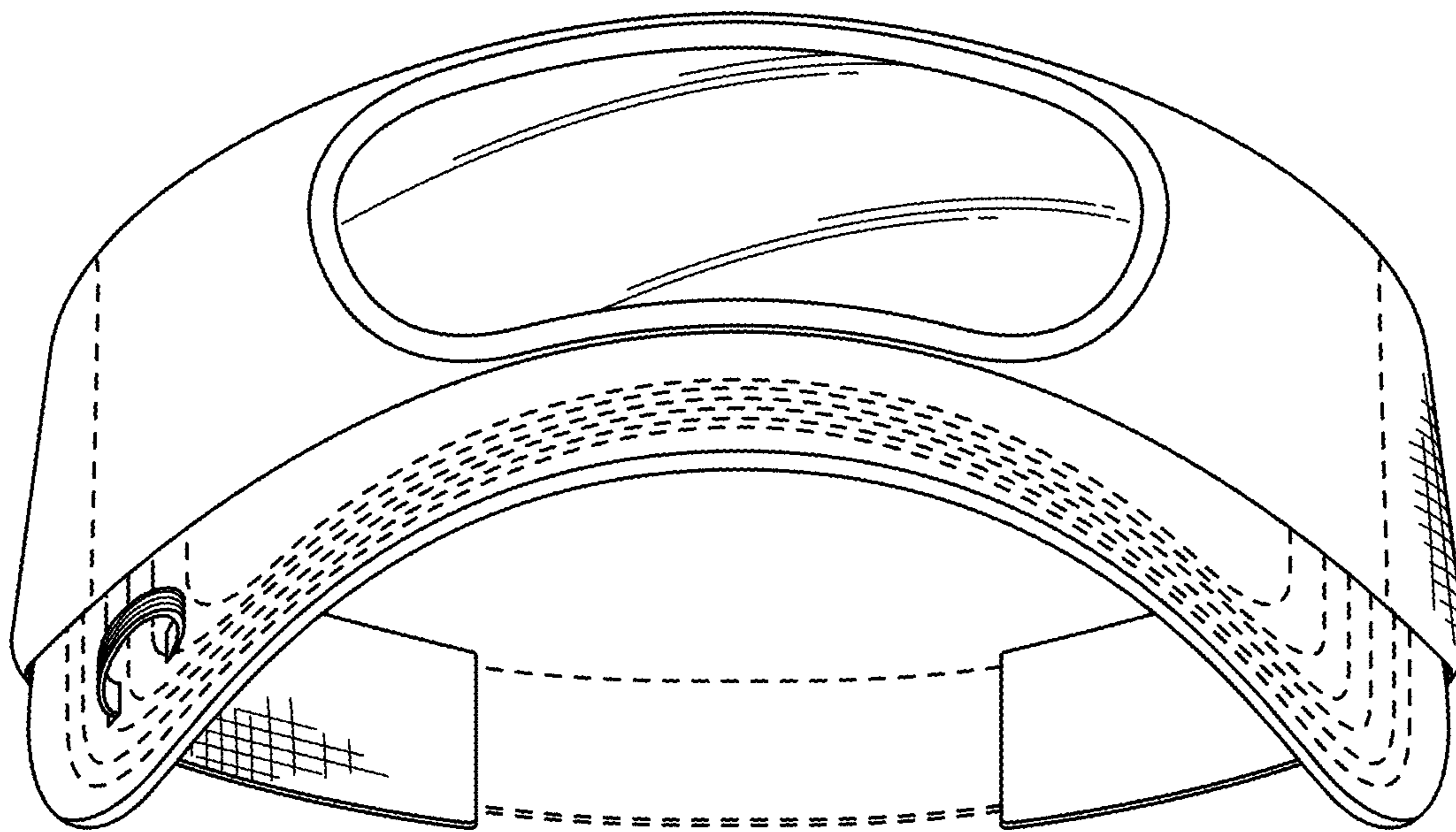


FIG. 2

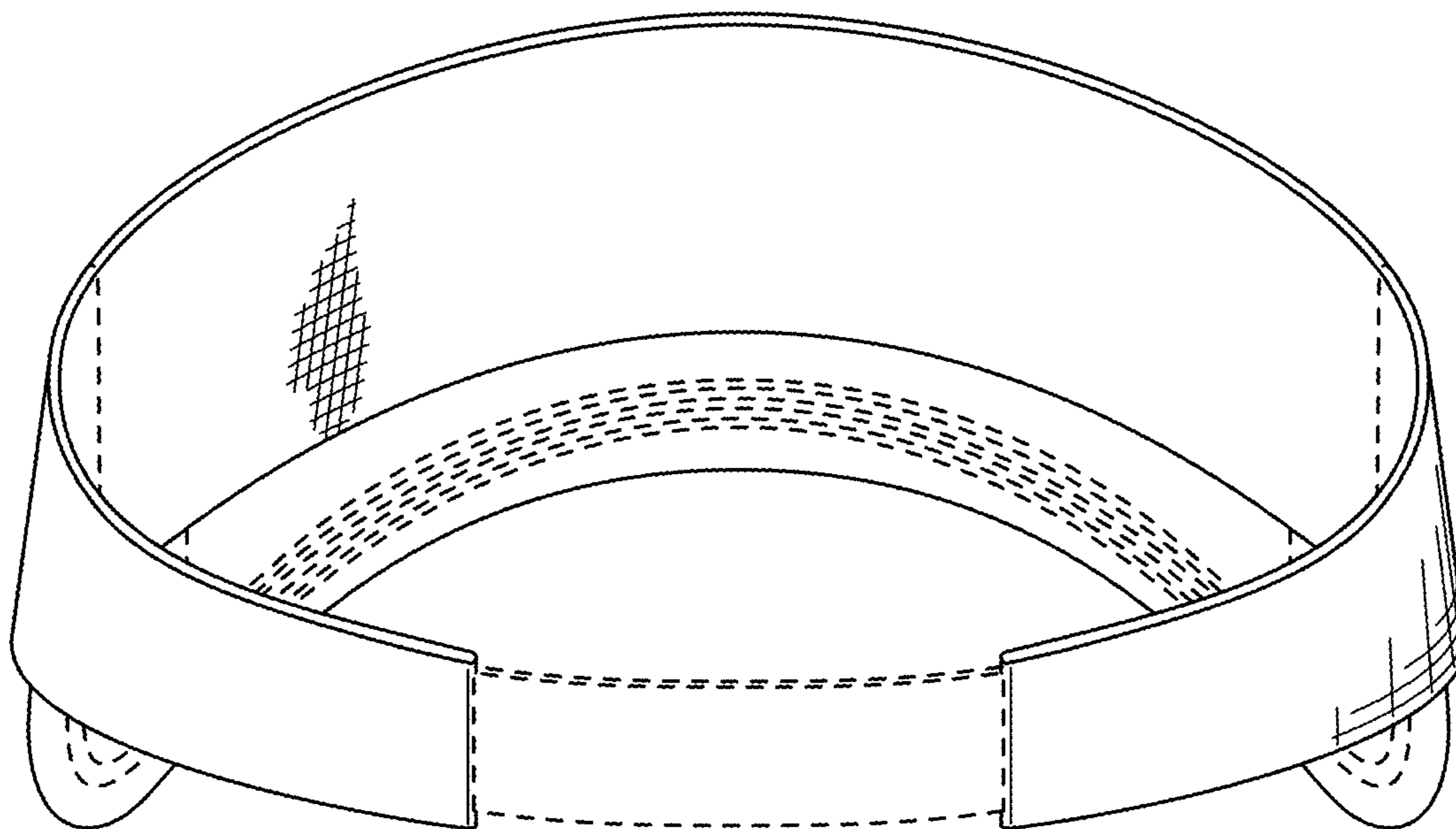


FIG. 3

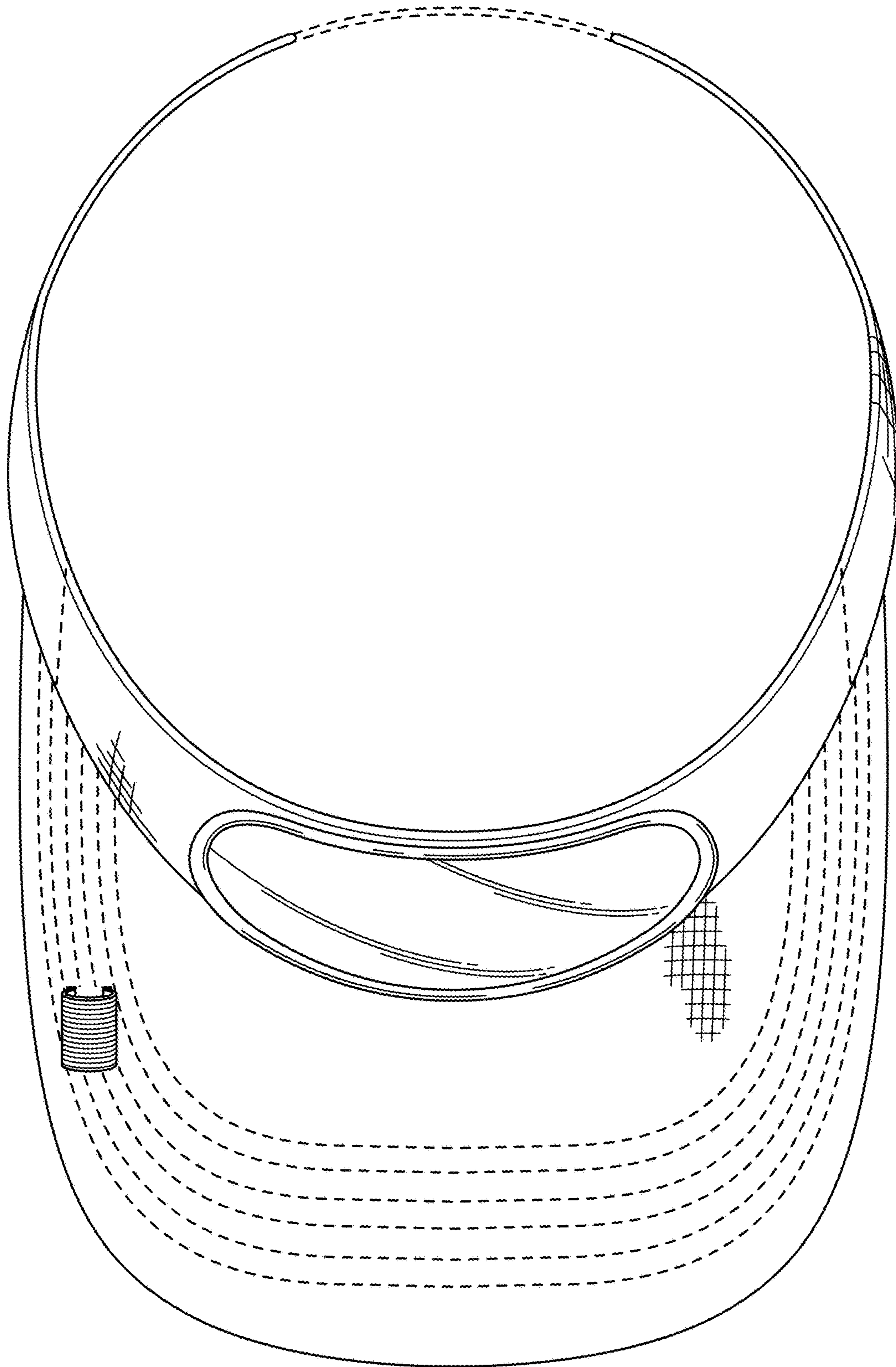


FIG. 4

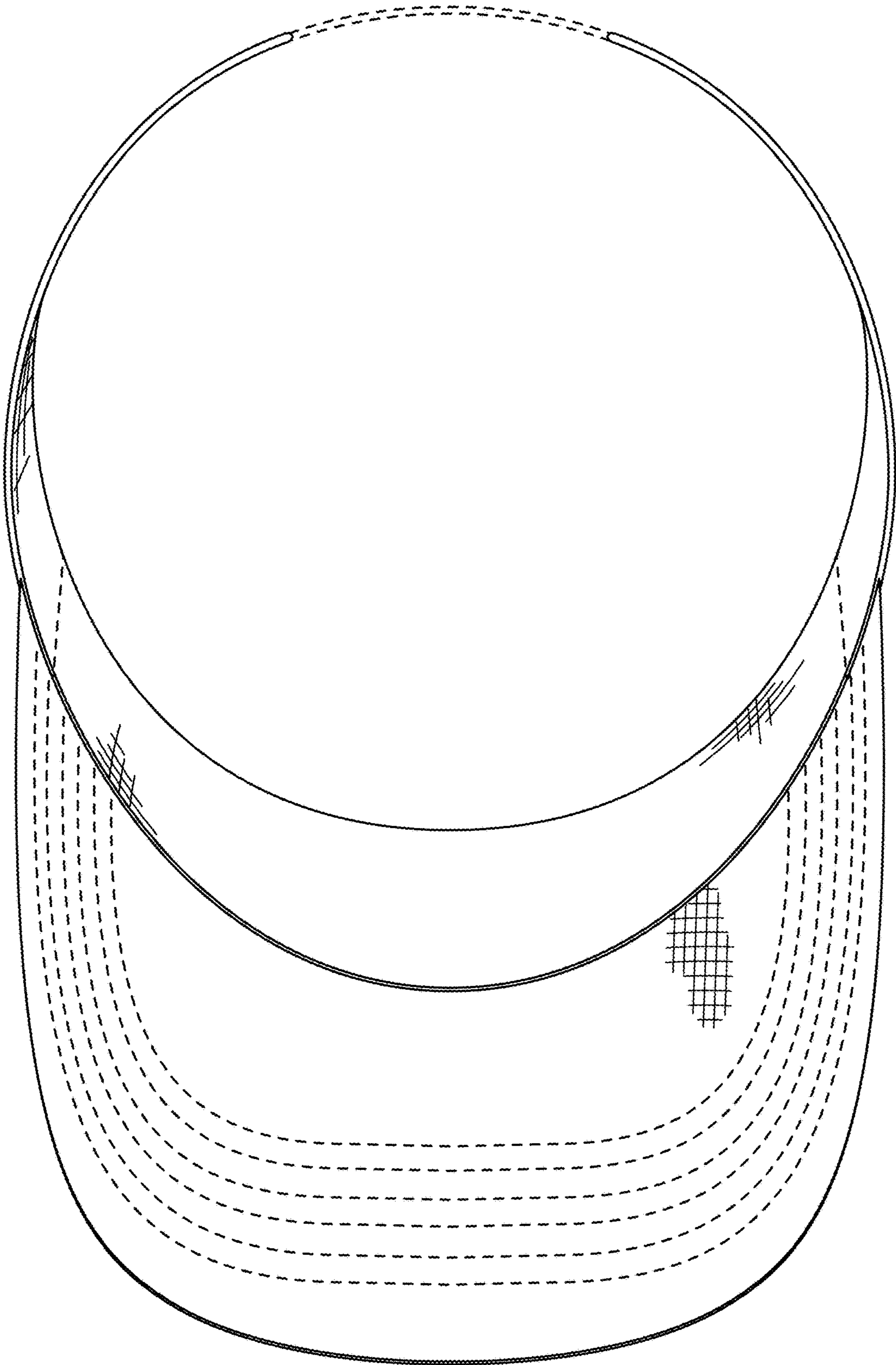


FIG. 5

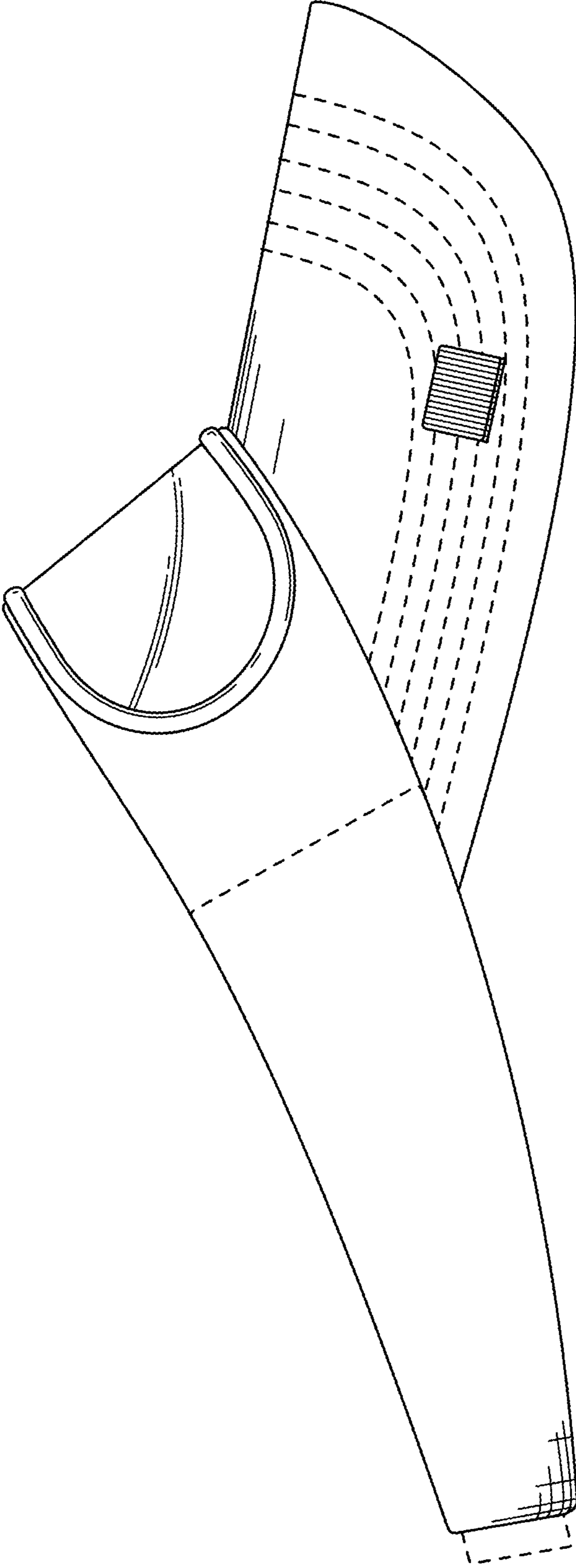


FIG. 6

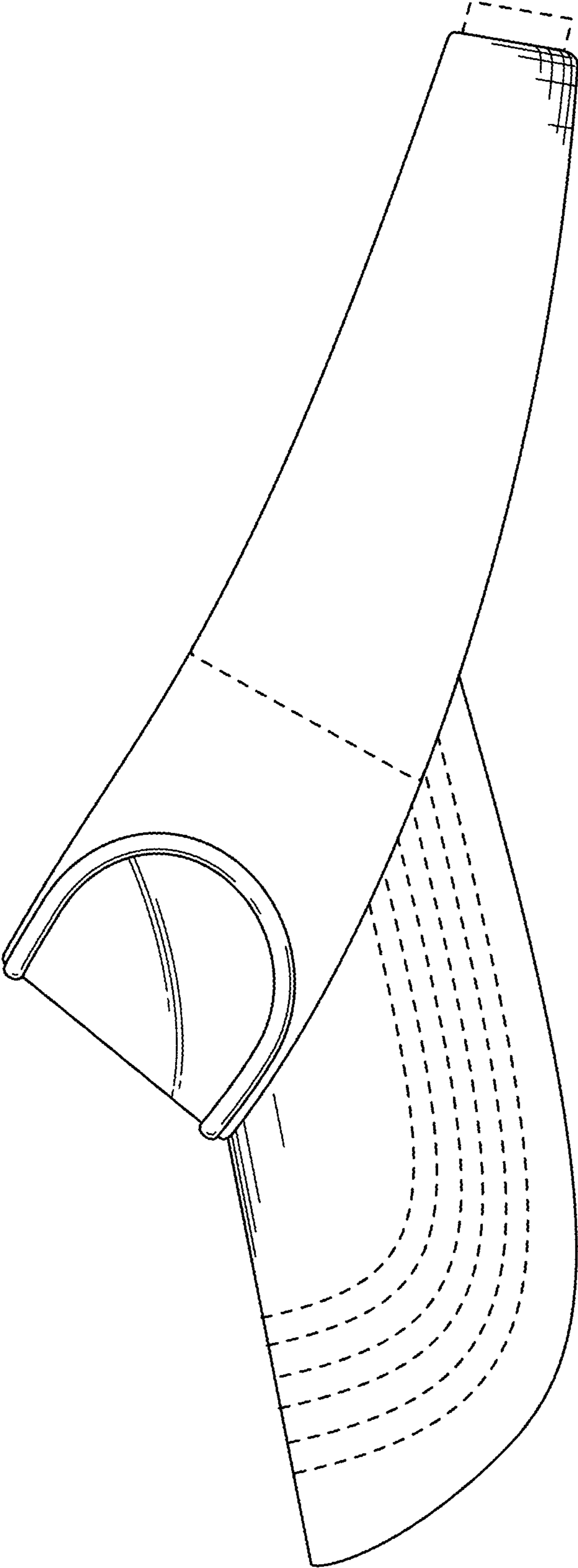


FIG. 7



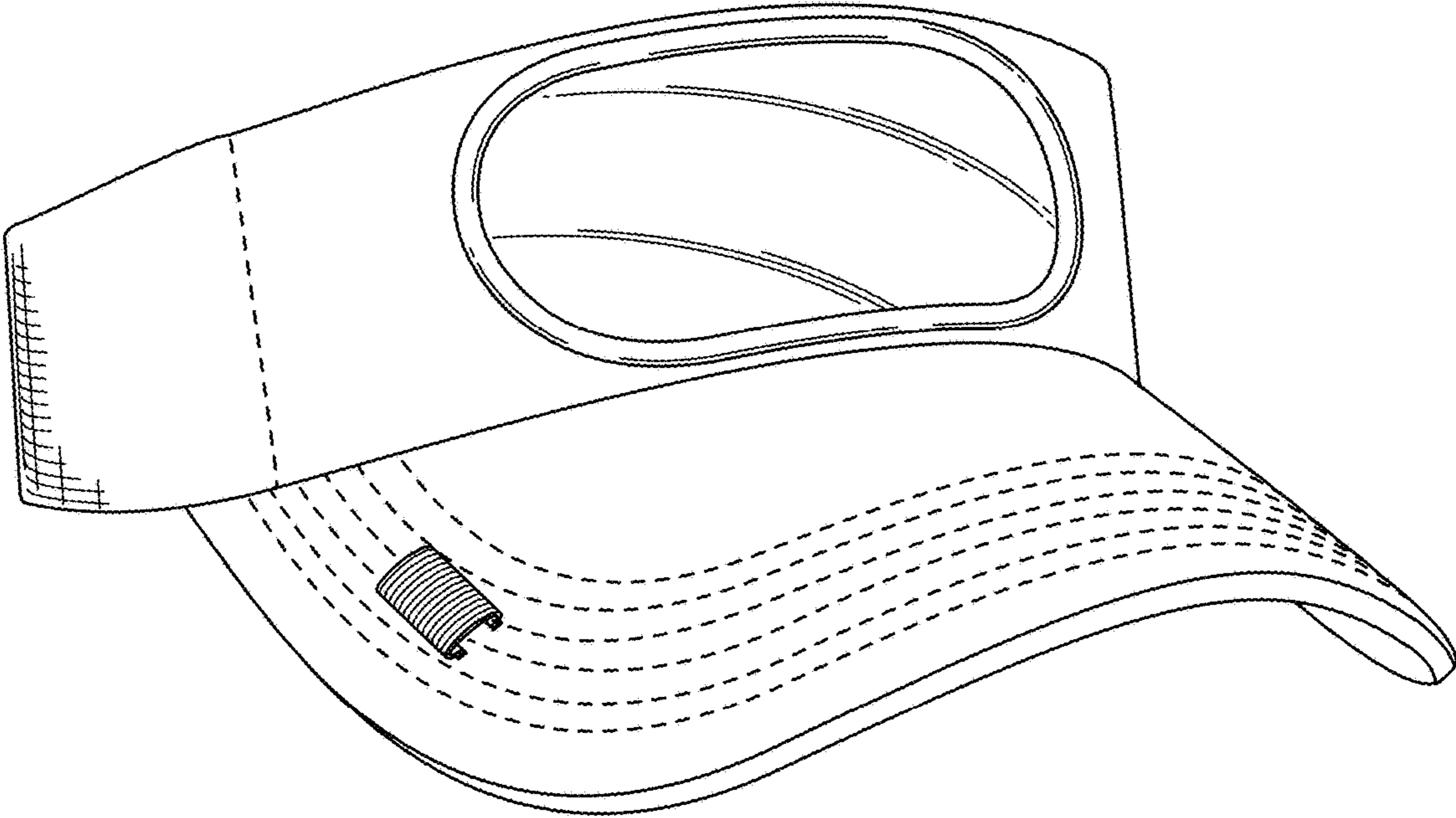


FIG. 8