



US00D812846S

(12) **United States Design Patent**
Diekman

(10) **Patent No.:** **US D812,846 S**
(45) **Date of Patent:** **** Mar. 20, 2018**

- (54) **MALE GENITAL GARMENT**
- (71) Applicant: **Jackie Diekman**, Wentzville, MO (US)
- (72) Inventor: **Jackie Diekman**, Wentzville, MO (US)
- (**) Term: **15 Years**
- (21) Appl. No.: **29/599,795**
- (22) Filed: **Apr. 6, 2017**
- (51) **LOC (11) Cl.** **02-01**
- (52) **U.S. Cl.**
USPC **D2/700**
- (58) **Field of Classification Search**
USPC D2/700, 701, 702, 714, 728–732;
D24/105, 112, 126; D7/681, 688–691
CPC A41B 9/001; A41B 9/002; A41B 9/004;
A41B 9/005; A41B 9/007; A41B 9/008;
A41B 9/02; A41B 9/023; A41B 9/026;
A41B 9/04; A61F 6/04; A61F 5/40
See application file for complete search history.

6,862,746	B2 *	3/2005	Cym	A41B 9/023 2/403
D523,140	S *	6/2006	Bernal	D24/105
7,434,273	B2	10/2008	Chung		
7,669,253	B2	3/2010	Lin		
D652,197	S *	1/2012	Sanchez	D2/712
D671,805	S *	12/2012	O'Connell	D7/691
8,661,569	B2	3/2014	Back		
D713,219	S *	9/2014	Ulrich	D7/681
D716,935	S *	11/2014	Cogan	D24/105
D760,556	S *	7/2016	Wiggins	D10/46.2
D762,045	S	7/2016	Popp et al.		
D769,577	S *	10/2016	Valenzuela	D2/712
9,687,382	B2 *	6/2017	Beerman	A61F 5/40
2007/0180601	A1 *	8/2007	Chou	A41B 9/02 2/403
2007/0193586	A1 *	8/2007	Vaughn	A61F 6/04 128/844
2009/0131916	A1 *	5/2009	Chiu	A41B 9/04 604/544
2011/0126842	A1 *	6/2011	Vasquez	A41B 9/023 128/844

(Continued)

Primary Examiner — Sheryl Lane
Assistant Examiner — Jennifer M Campbell

(56) **References Cited**

U.S. PATENT DOCUMENTS

850,298	A *	4/1907	De Mars	A61F 5/40 602/71
D233,633	S *	11/1974	Burkard	602/67
D269,919	S *	8/1983	Gabrelcik	D2/712
4,414,971	A	11/1983	Chung		
D288,485	S *	2/1987	Denno	D2/712
5,070,890	A *	12/1991	Papurt	A61F 6/04 128/844
5,314,447	A *	5/1994	Papurt	A61F 6/04 128/842
5,718,236	A *	2/1998	Curcio	A61F 6/04 128/844
D399,987	S *	10/1998	Bradley	D2/712
D400,247	S *	10/1998	Landberg	D24/105
6,061,840	A	5/2000	Alligator		
6,487,728	B1	12/2002	Cook		

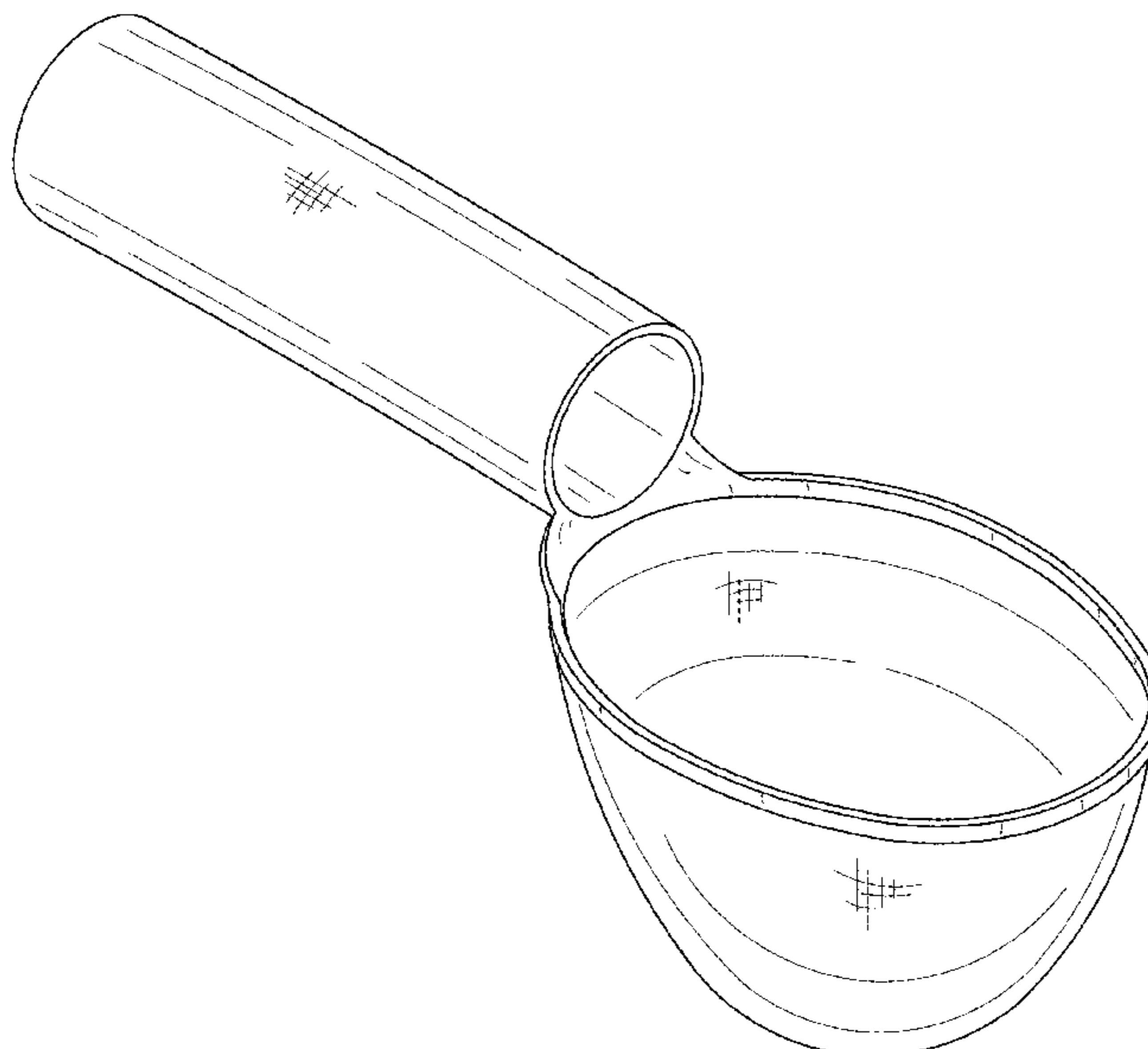
(57) **CLAIM**

The ornamental design for a male genital garment, as shown and described.

DESCRIPTION

FIG. 1 is a front view of a male genital garment showing my new design, a rear view being a mirror image thereof; FIG. 2 is a left side view of the male genital garment; FIG. 3 is a right side view of the male genital garment; FIG. 4 is a top view of the male genital garment; FIG. 5 is a bottom view of the male genital garment; and, FIG. 6 is a top rear side perspective view of the male genital garment.

1 Claim, 4 Drawing Sheets



(56)

References Cited

U.S. PATENT DOCUMENTS

2012/0016189 A1* 1/2012 Gioia A61F 5/41
600/41
2015/0057495 A1* 2/2015 Wilks A61H 19/50
600/41
2016/0206010 A1 7/2016 Lee et al.
2017/0188637 A1* 7/2017 Marji A41B 9/12

* cited by examiner

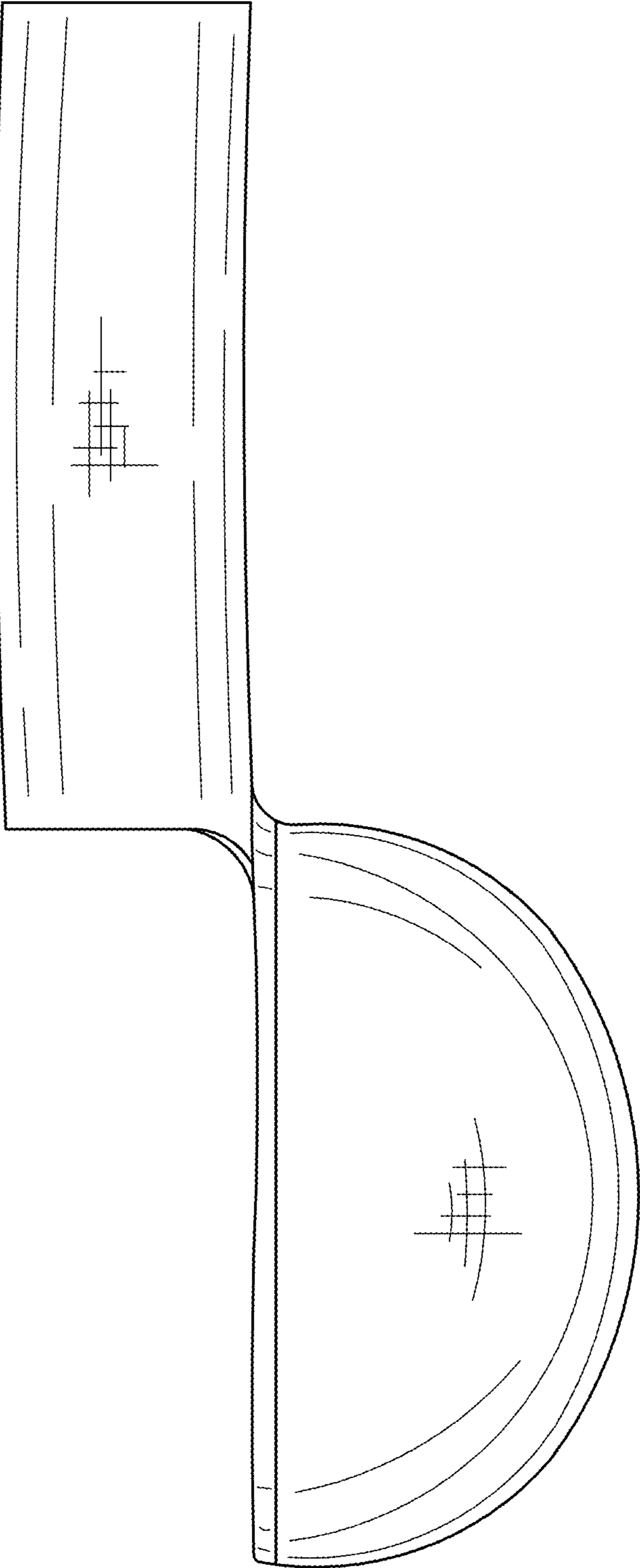


FIG. 1

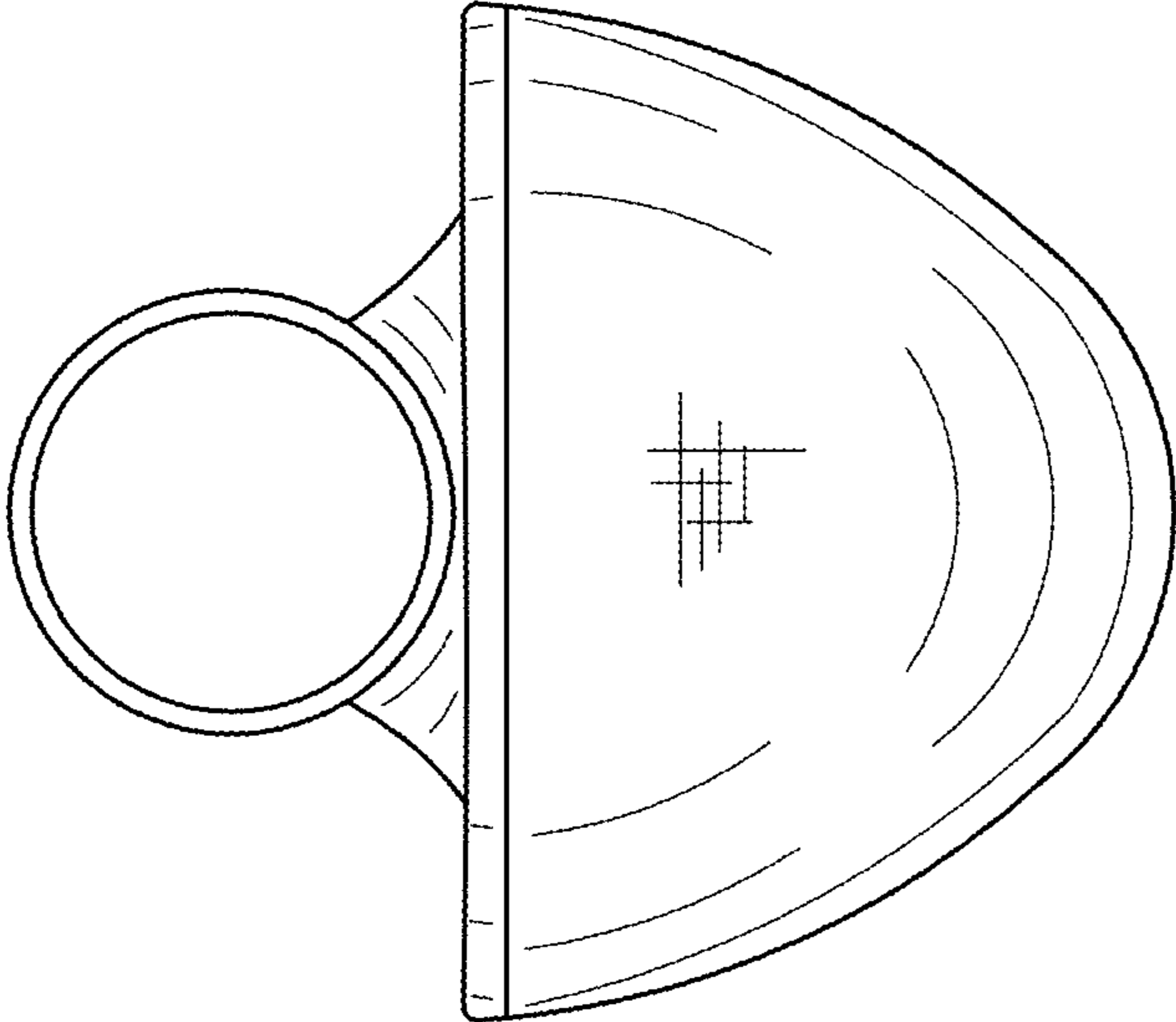


FIG. 3

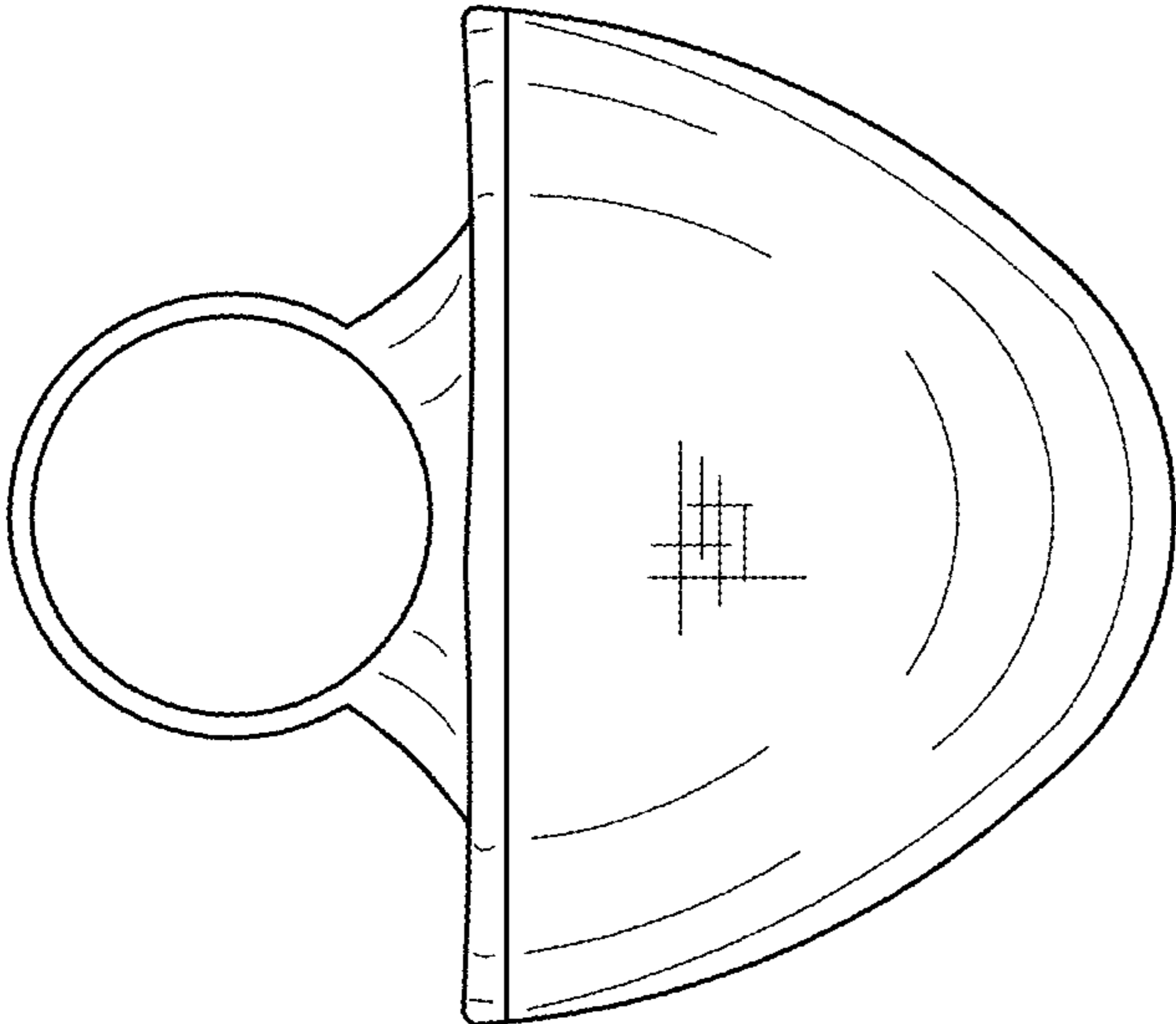


FIG. 2

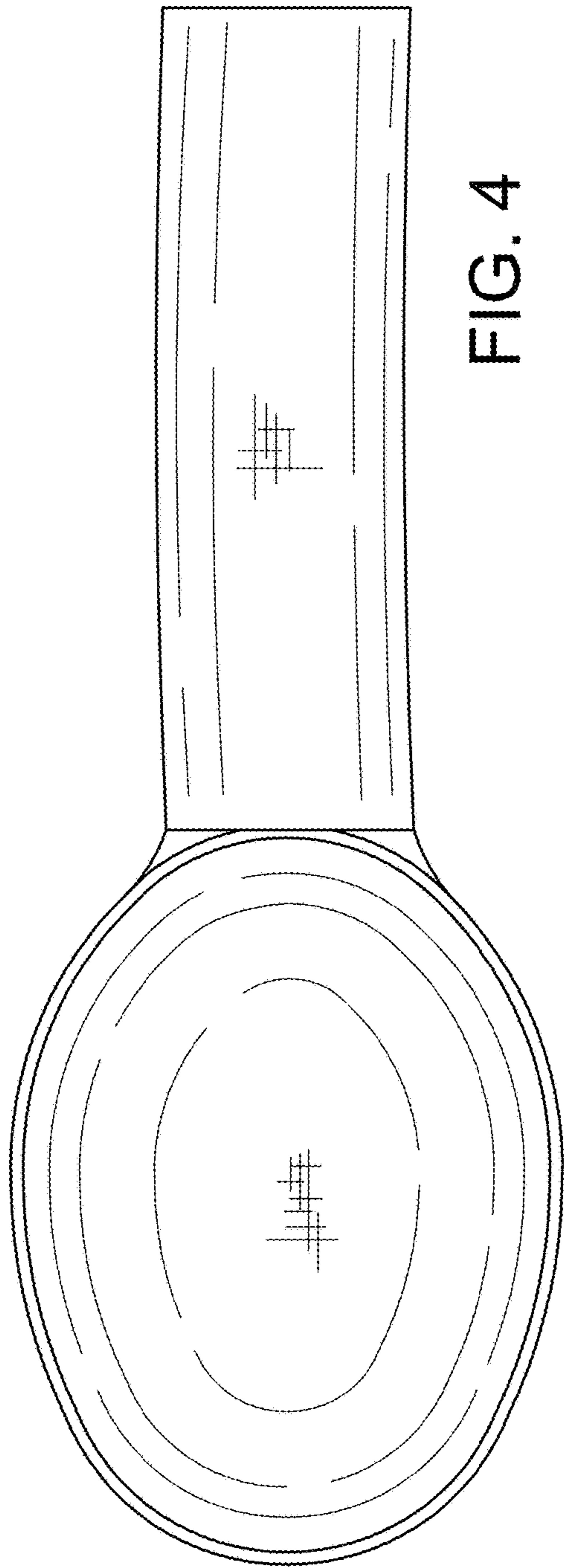


FIG. 4

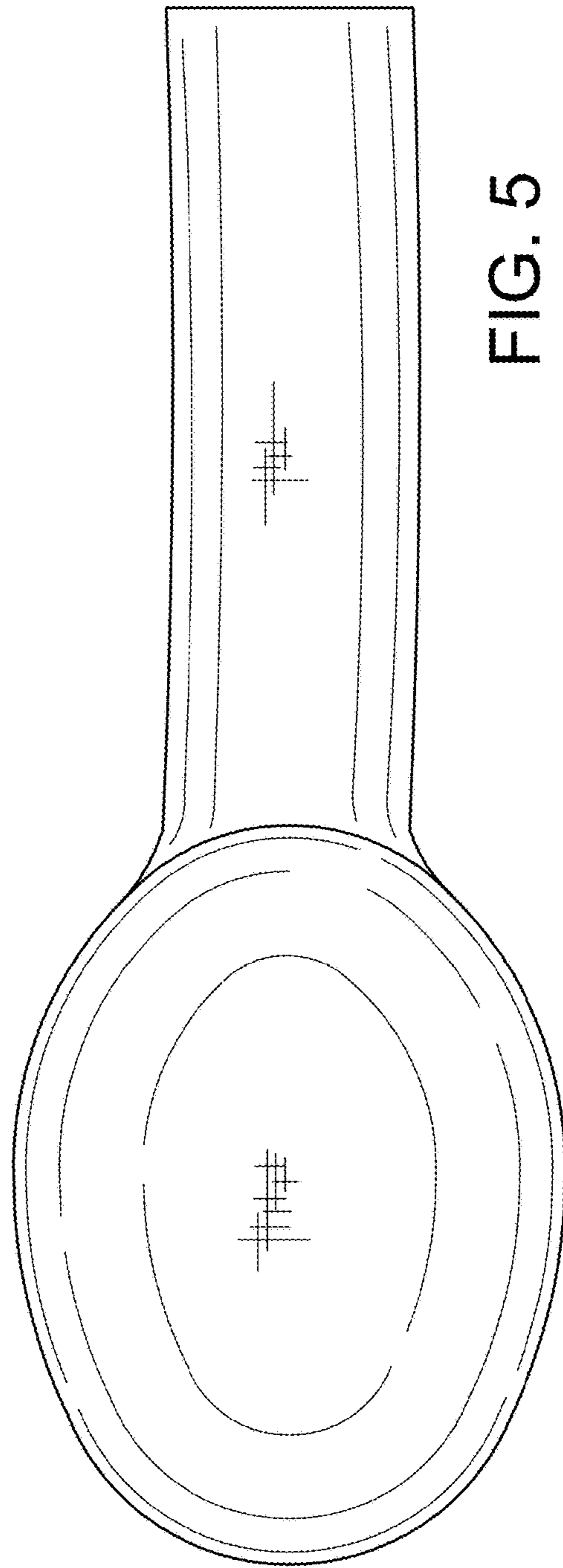


FIG. 5

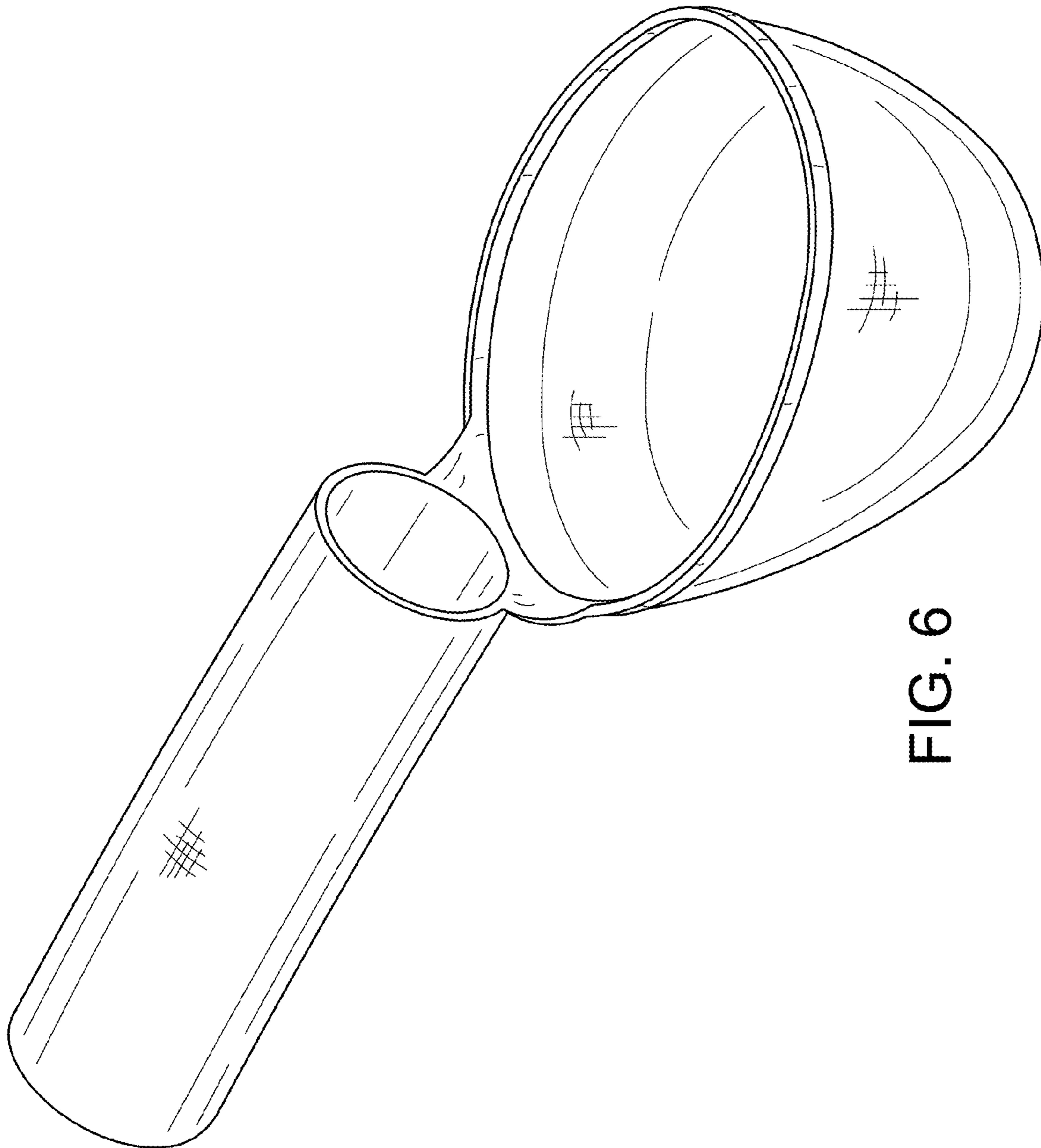


FIG. 6