



US00D812842S

(12) **United States Design Patent**
Lucero

(10) **Patent No.:** **US D812,842 S**
(45) **Date of Patent:** **** Mar. 20, 2018**

(54) **INSERT FOR A PREKNOTTED ADJUSTABLE NECKTIE**

(71) Applicant: **Adam Lucero**, Evanston, IL (US)

(72) Inventor: **Adam Lucero**, Evanston, IL (US)

(**) Term: **15 Years**

(21) Appl. No.: **29/563,388**

(22) Filed: **May 4, 2016**

Related U.S. Application Data

(63) Continuation-in-part of application No. 29/499,176, filed on Aug. 12, 2014, now Pat. No. Des. 768,955.

(51) **LOC (11) Cl.** **02-05**

(52) **U.S. Cl.**
USPC **D2/609**

(58) **Field of Classification Search**
USPC D2/500, 501, 600, 601, 602, 603, 604, D2/605, 606, 607, 608, 609; D11/200, D11/202, 204

CPC .. A41D 23/00; A41D 2023/008; A41D 25/00; A41D 25/003; A41D 25/006; A41D 25/008; A41D 25/02; A41D 25/025; A41D 25/027; A41D 25/08; A41D 25/10; A41D 25/12; A41D 25/14

See application file for complete search history.

(56) **References Cited**

U.S. PATENT DOCUMENTS

2,170,707	A *	8/1939	Chapel	A41D 25/02	2/153
2,936,462	A	5/1960	Williams, Jr. et al.			
3,146,467	A	9/1964	Levko			
3,665,519	A	5/1972	Calhoun, Sr.			
3,745,614	A	7/1973	Tsang			
3,999,222	A	12/1976	Walborn			
4,173,792	A *	11/1979	Intengan	A41D 25/025	2/144

4,573,219	A	3/1986	Hooten			
5,035,002	A	7/1991	Knight, Jr.			
5,216,757	A	6/1993	Dorkin			
5,416,926	A	5/1995	Koy			
5,493,731	A *	2/1996	Amnott	A41D 25/022	2/148
D420,201	S *	2/2000	Azhar	D2/609	
6,305,025	B1	10/2001	Pilon			
6,412,673	B1	7/2002	Chuang			
D476,134	S *	6/2003	Miller	D2/609	
6,920,642	B2	7/2005	Dickens			
D550,929	S *	9/2007	Cordonier	D2/600	
7,770,238	B2	8/2010	Dayan			
8,931,116	B2 *	1/2015	Lucero	A41D 25/022	2/137
D744,194	S *	12/2015	Speer	D2/609	
D768,955	S *	10/2016	Lucero	D2/609	
2002/0095713	A1	7/2002	Bonano et al.			
2004/0017085	A1	1/2004	Daniels			

(Continued)

Primary Examiner — Thomas Johannes

Assistant Examiner — Jasmine Mlinarcik

(74) *Attorney, Agent, or Firm* — Antonio Papageorgiou, Esq.

(57) **CLAIM**

The ornamental design for an insert for a preknotted adjustable necktie, as shown and described.

DESCRIPTION

FIG. 1 is a perspective view of one side and the front of the insert for a preknotted adjustable necktie according to my new design;

FIG. 2 is a front elevation view thereof;

FIG. 3 is a back elevation view thereof;

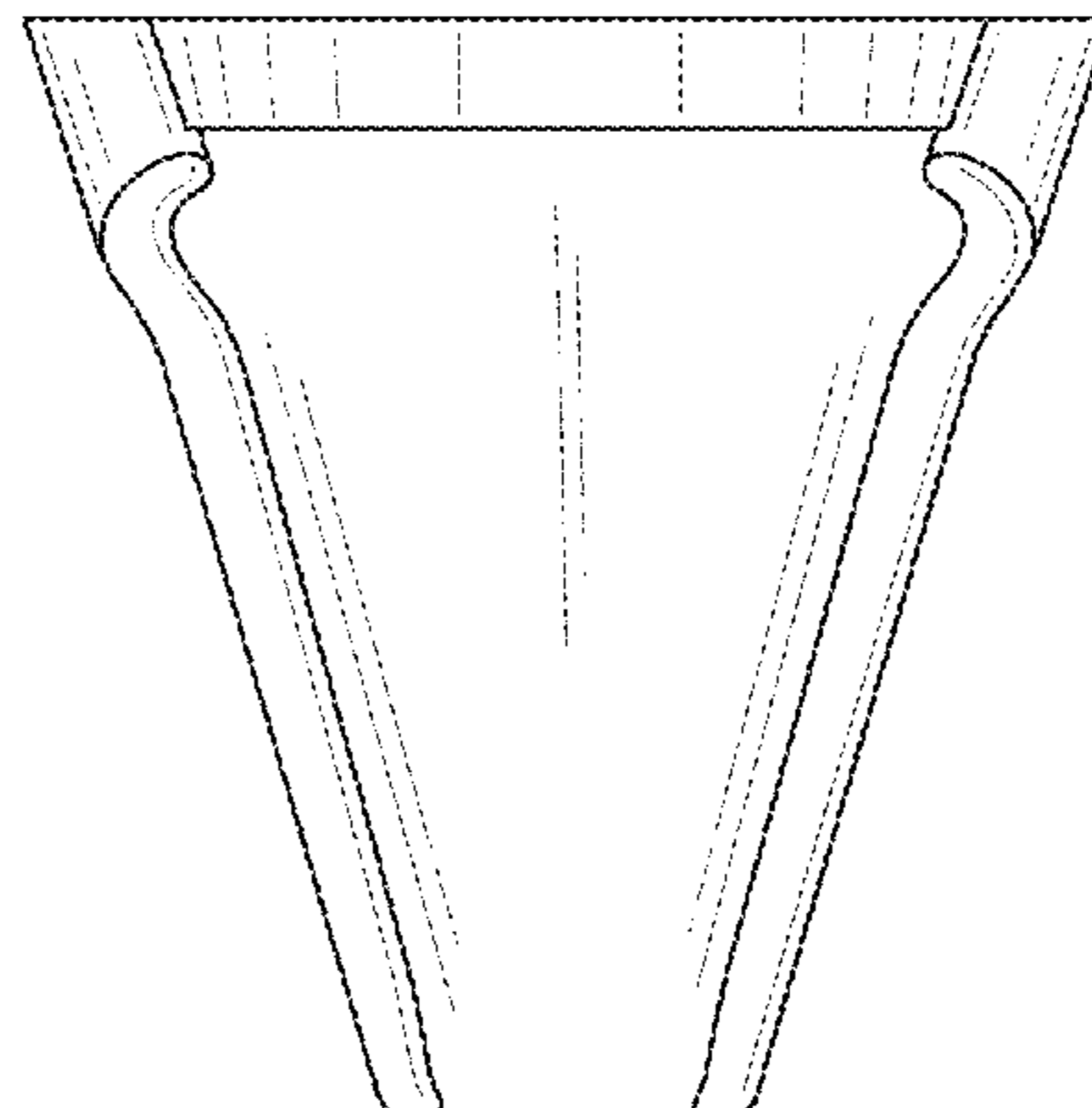
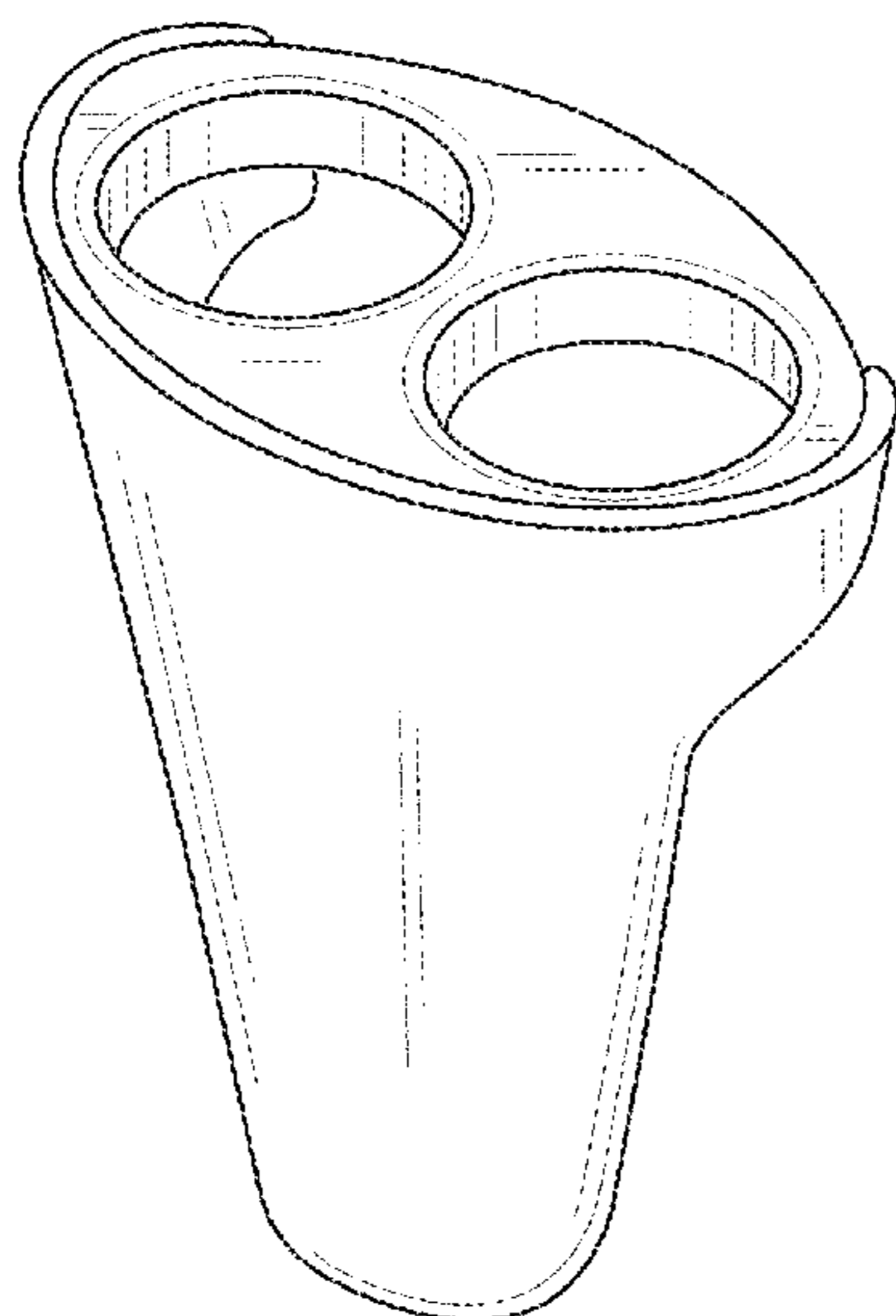
FIG. 4 is a left side elevation view thereof;

FIG. 5 is a right side elevation view thereof;

FIG. 6 is a top plan view thereof; and,

FIG. 7 is a bottom plan view thereof.

1 Claim, 3 Drawing Sheets



(56)

References Cited

U.S. PATENT DOCUMENTS

2005/0120461 A1 6/2005 Dickens
2009/0144945 A1 6/2009 Funk
2009/0260128 A1 10/2009 Marzano

* cited by examiner

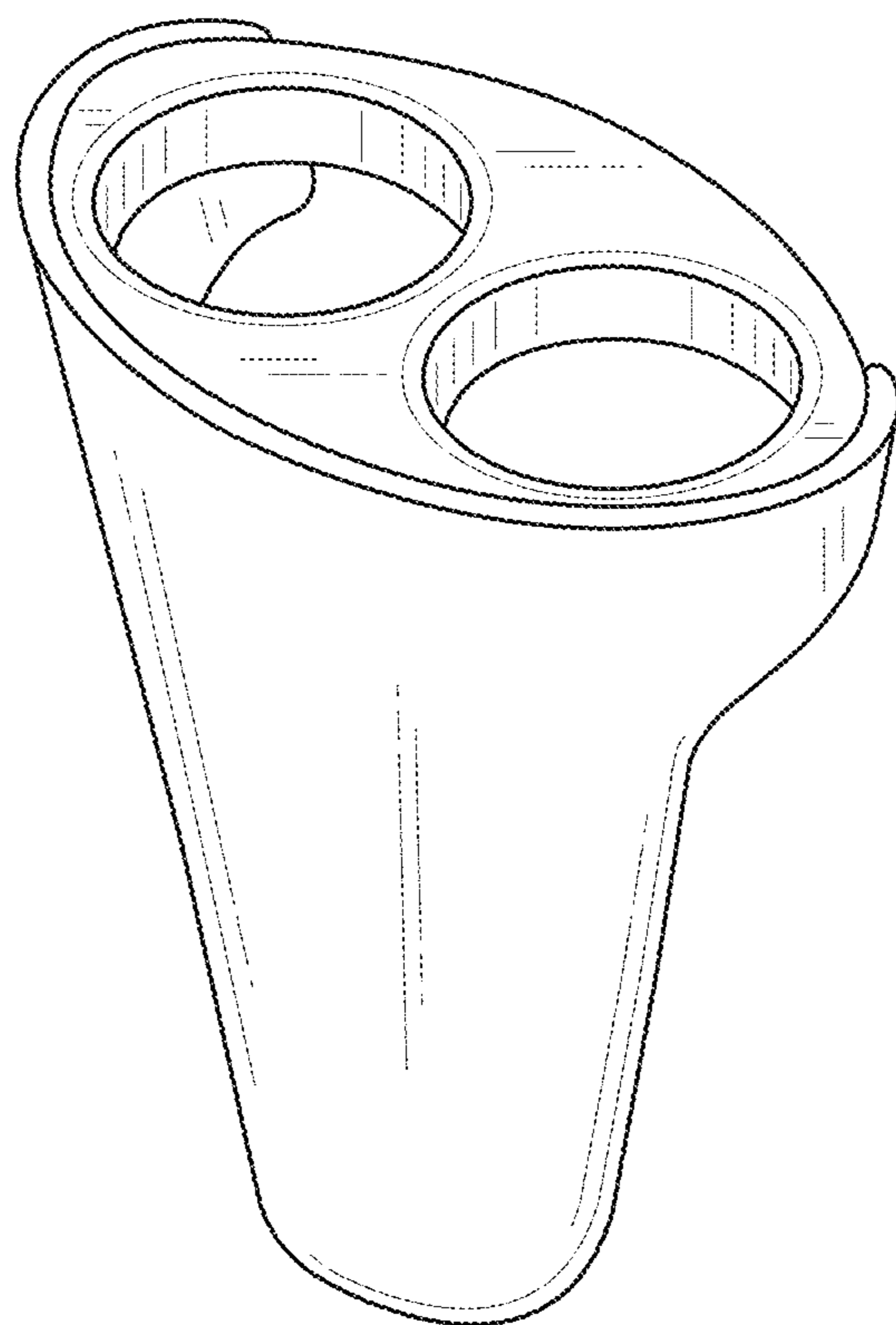


FIG. 1

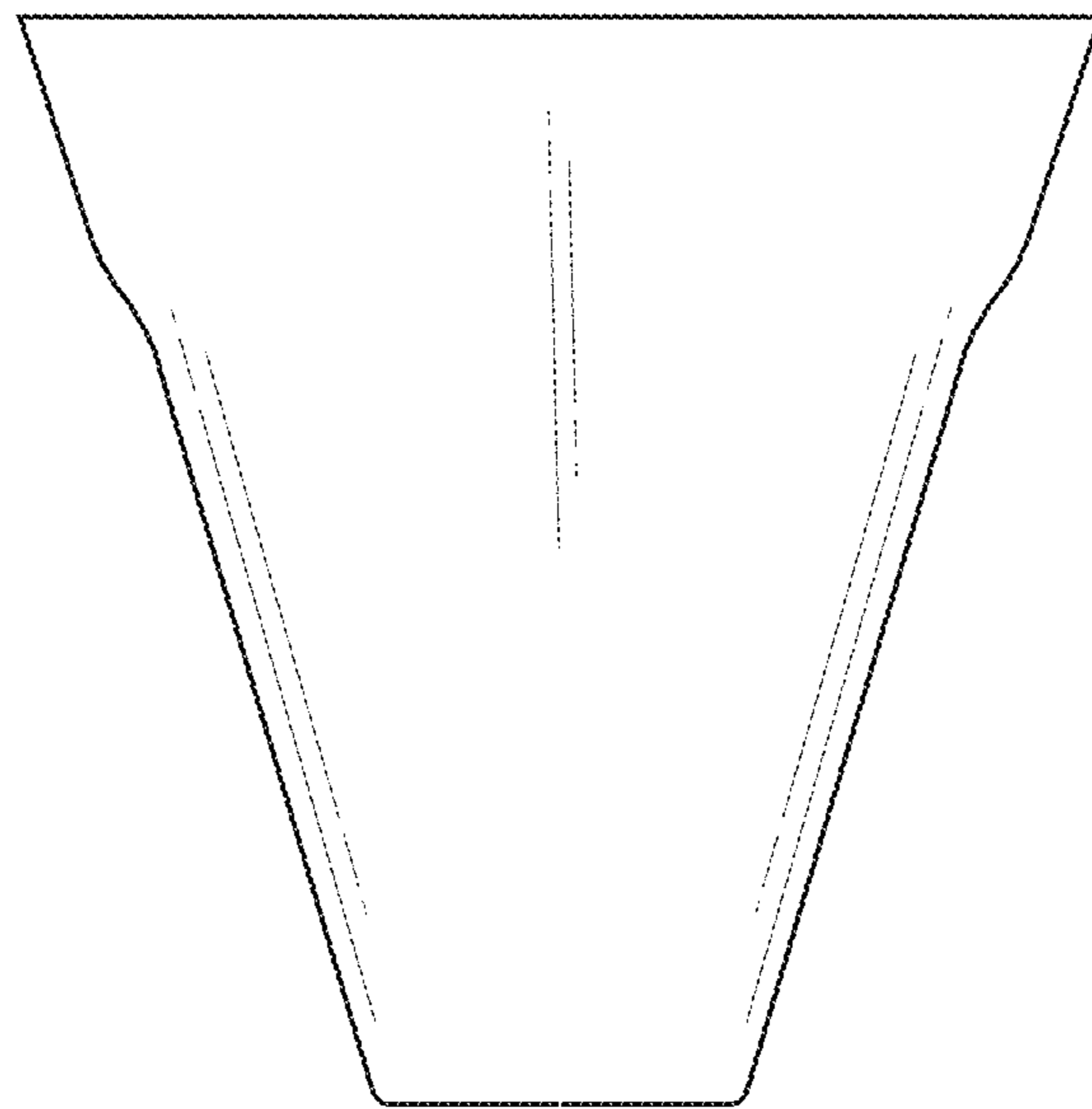


FIG. 2

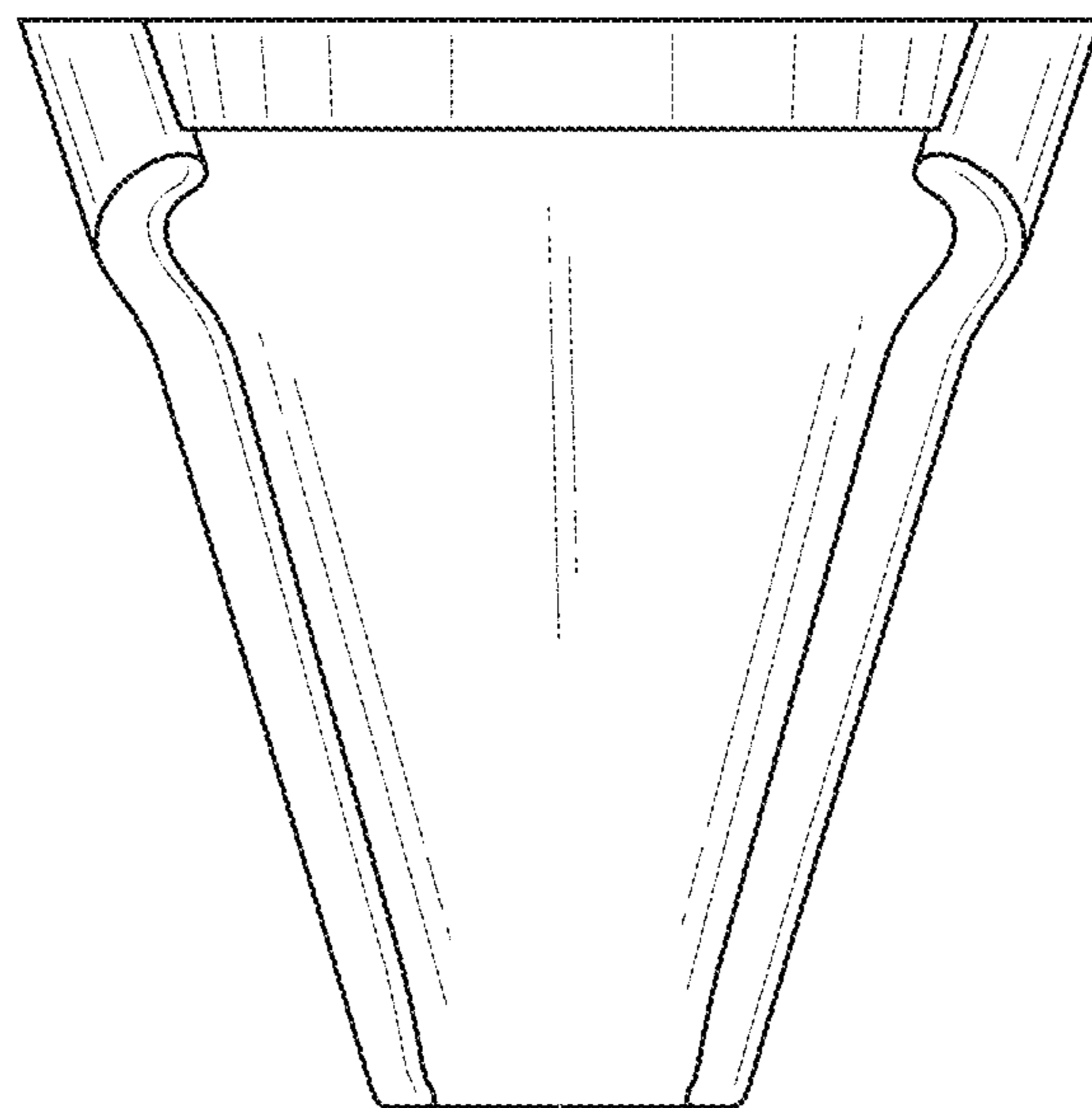


FIG. 3

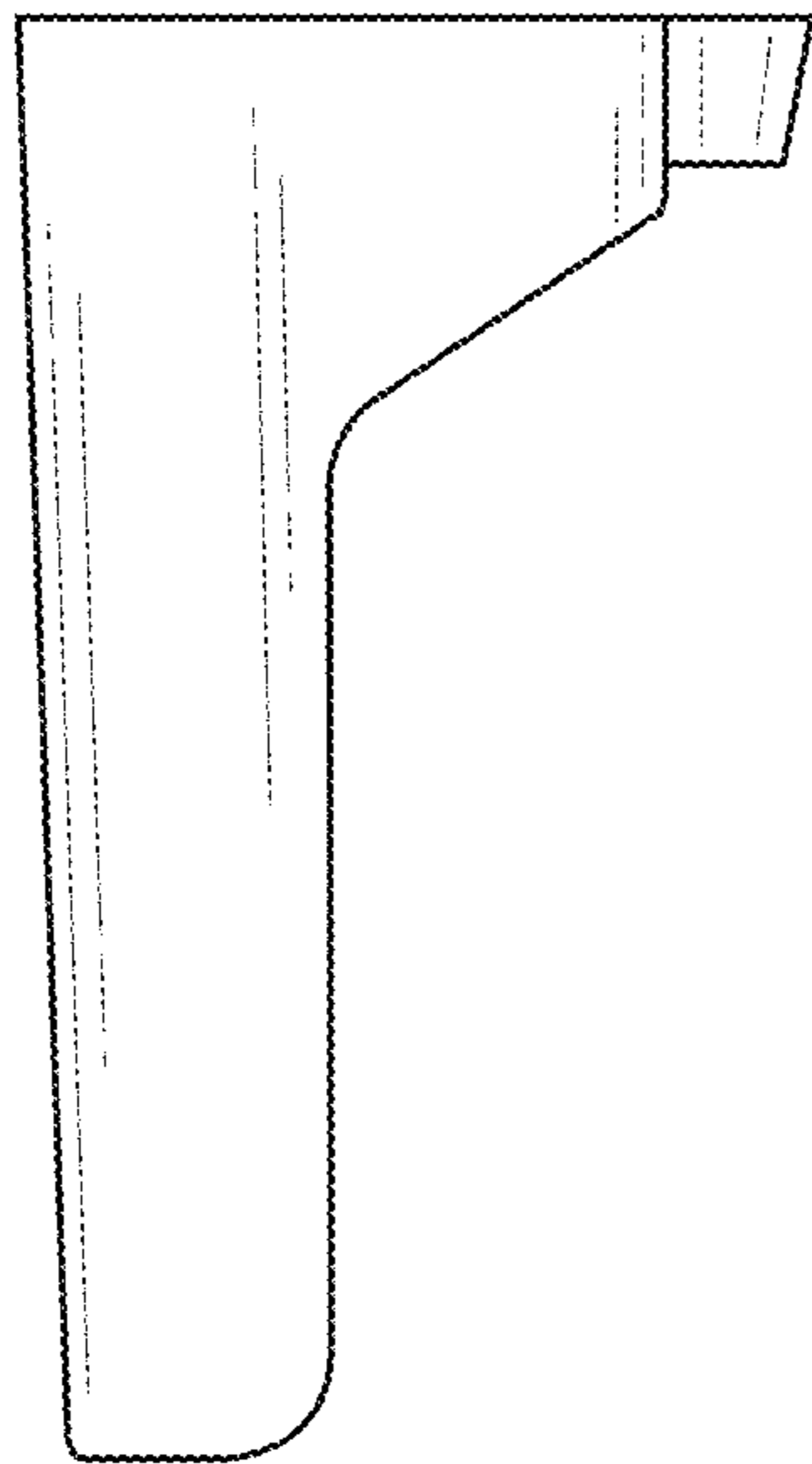


FIG. 4

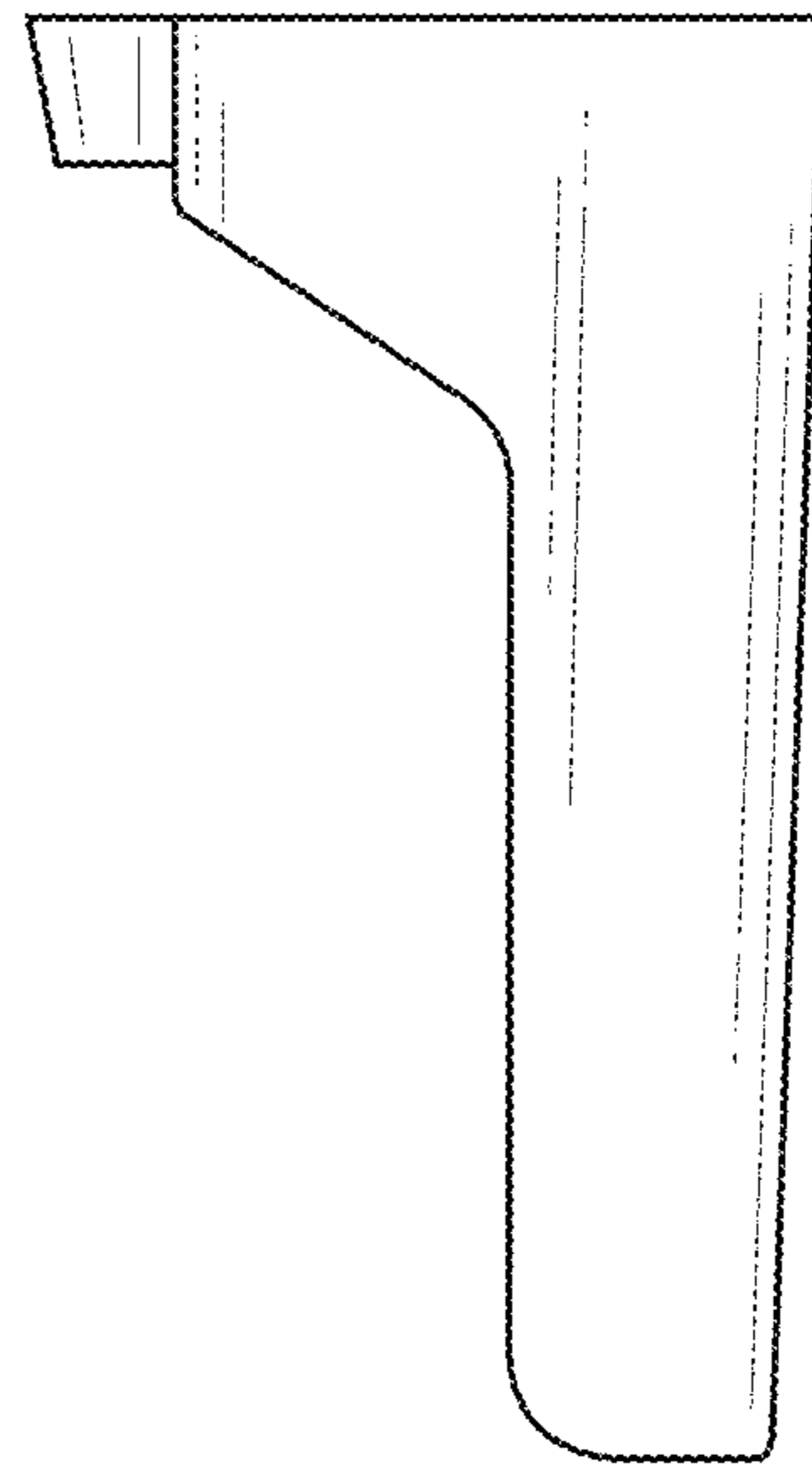


FIG. 5

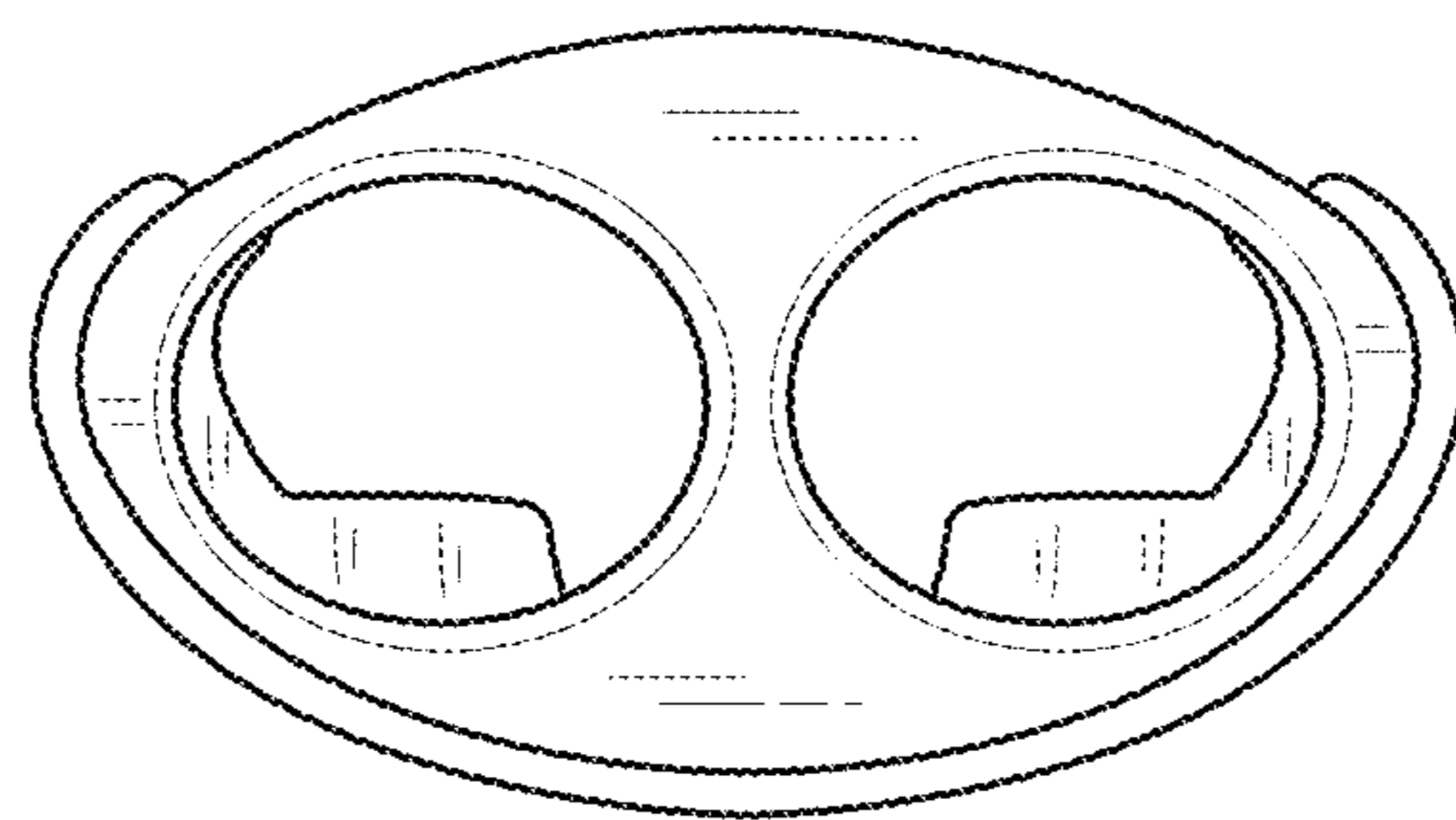


FIG. 6

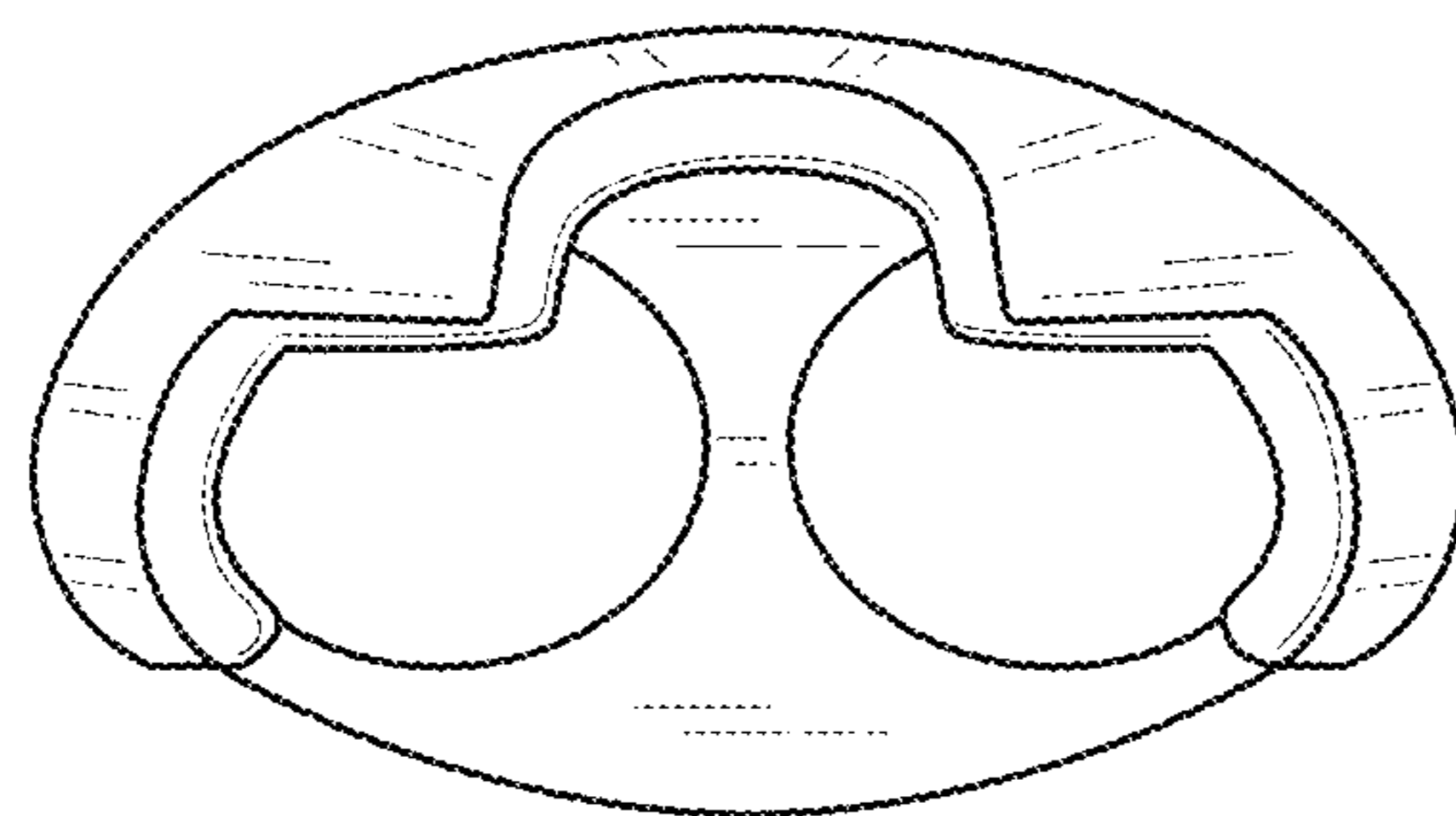


FIG. 7