



US00D812838S

(12) **United States Design Patent**
Zappala et al.

(10) **Patent No.:** **US D812,838 S**
(45) **Date of Patent:** **** Mar. 13, 2018**

(54) **WEIGHT CART**
(71) Applicants: **Alfred F. Zappala**, Sebastian, FL (US);
Elizabeth A. Zappala, Sebastian, FL (US)
(72) Inventors: **Alfred F. Zappala**, Sebastian, FL (US);
Elizabeth A. Zappala, Sebastian, FL (US)

(**) Term: **15 Years**
(21) Appl. No.: **29/590,026**

(22) Filed: **Jan. 6, 2017**
(51) **LOC (11) Cl.** **12-02**
(52) **U.S. Cl.**
USPC **D34/17**

(58) **Field of Classification Search**
USPC D34/12, 13, 16, 17, 20, 21, 22, 23, 26,
D34/27; 280/651, 47.34, 47.26, 47.19,
280/47.35, 30, 47.17, 654, 659, 79.11,
280/504; 177/140; 73/1.13; D21/425,
D21/536, 426, 534
CPC B62B 1/12; B62B 5/0438; B62B 3/027;
B62B 2206/006; B62B 3/0606; B62B
3/02; B62B 3/007; G01G 19/4144
See application file for complete search history.

(56) **References Cited**

U.S. PATENT DOCUMENTS

D308,992 S * 7/1990 Wagner D21/425
6,010,145 A * 1/2000 Liu B62B 3/022
280/47.34
6,508,479 B1 * 1/2003 Tseng B62B 3/007
280/47.34
D624,270 S * 9/2010 Uhl D34/17

8,069,939 B1 * 12/2011 Metzler B62B 3/02
280/47.35
2007/0176381 A1 * 8/2007 Van Rheenen B62B 3/08
280/47.34
2009/0146394 A1 * 6/2009 Seivert B60R 9/06
280/504
2009/0273151 A1 * 11/2009 Young A47B 85/08
280/47.34

* cited by examiner

Primary Examiner — Cynthia Ramirez
Assistant Examiner — Gino Colan
(74) *Attorney, Agent, or Firm* — Volpe and Koenig, P.C.

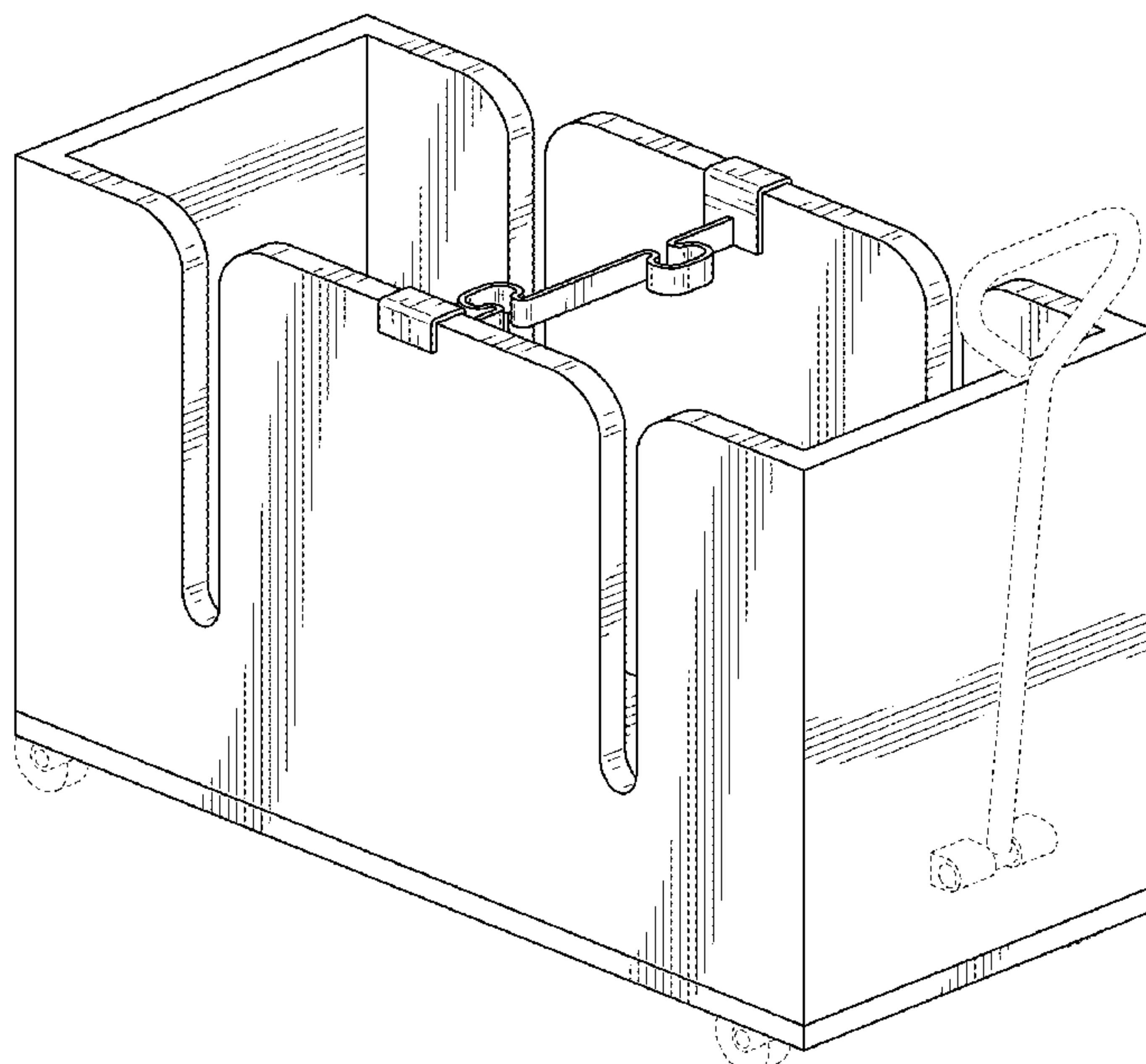
(57) **CLAIM**

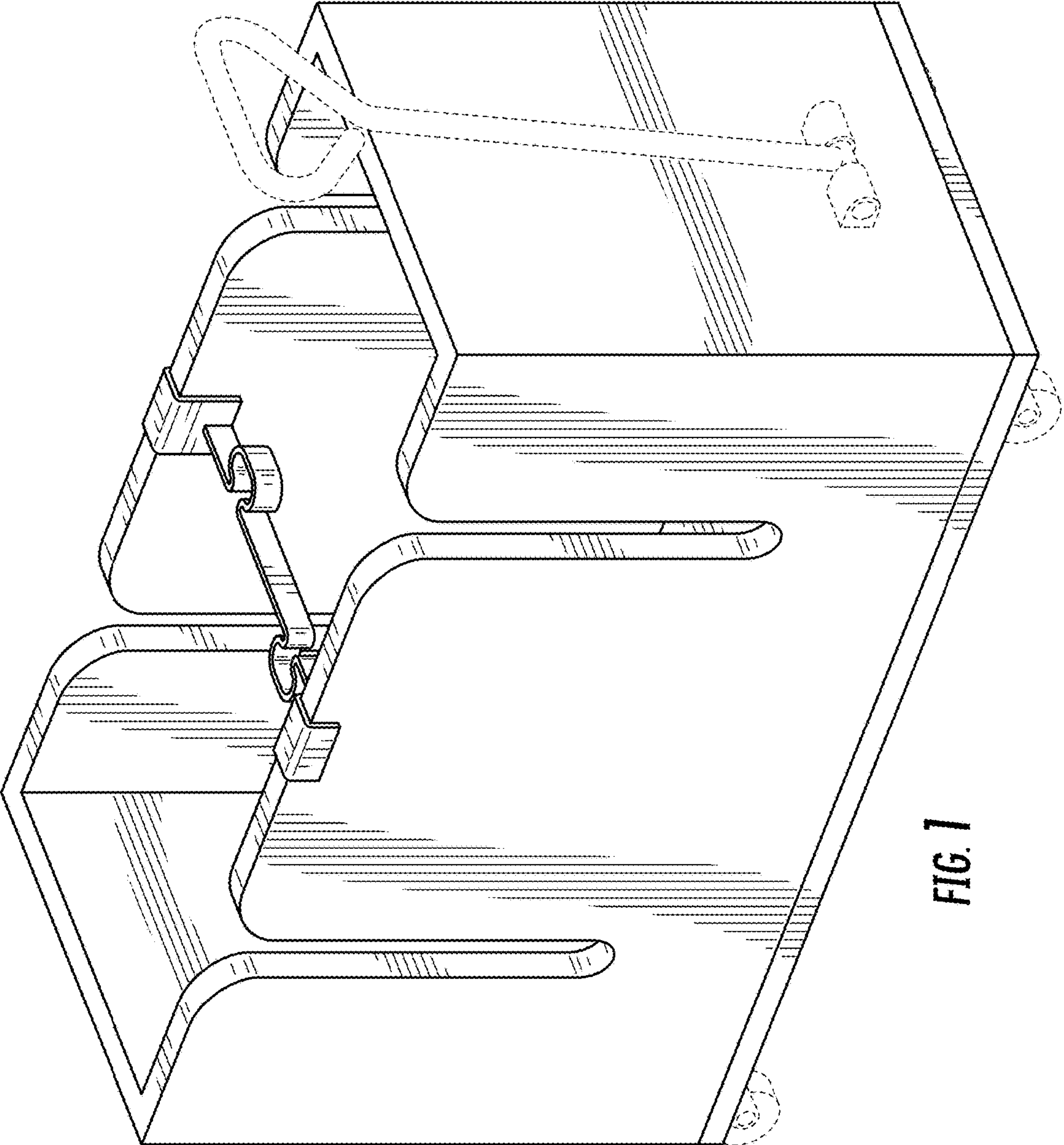
The ornamental design for a weight cart, as shown and described.

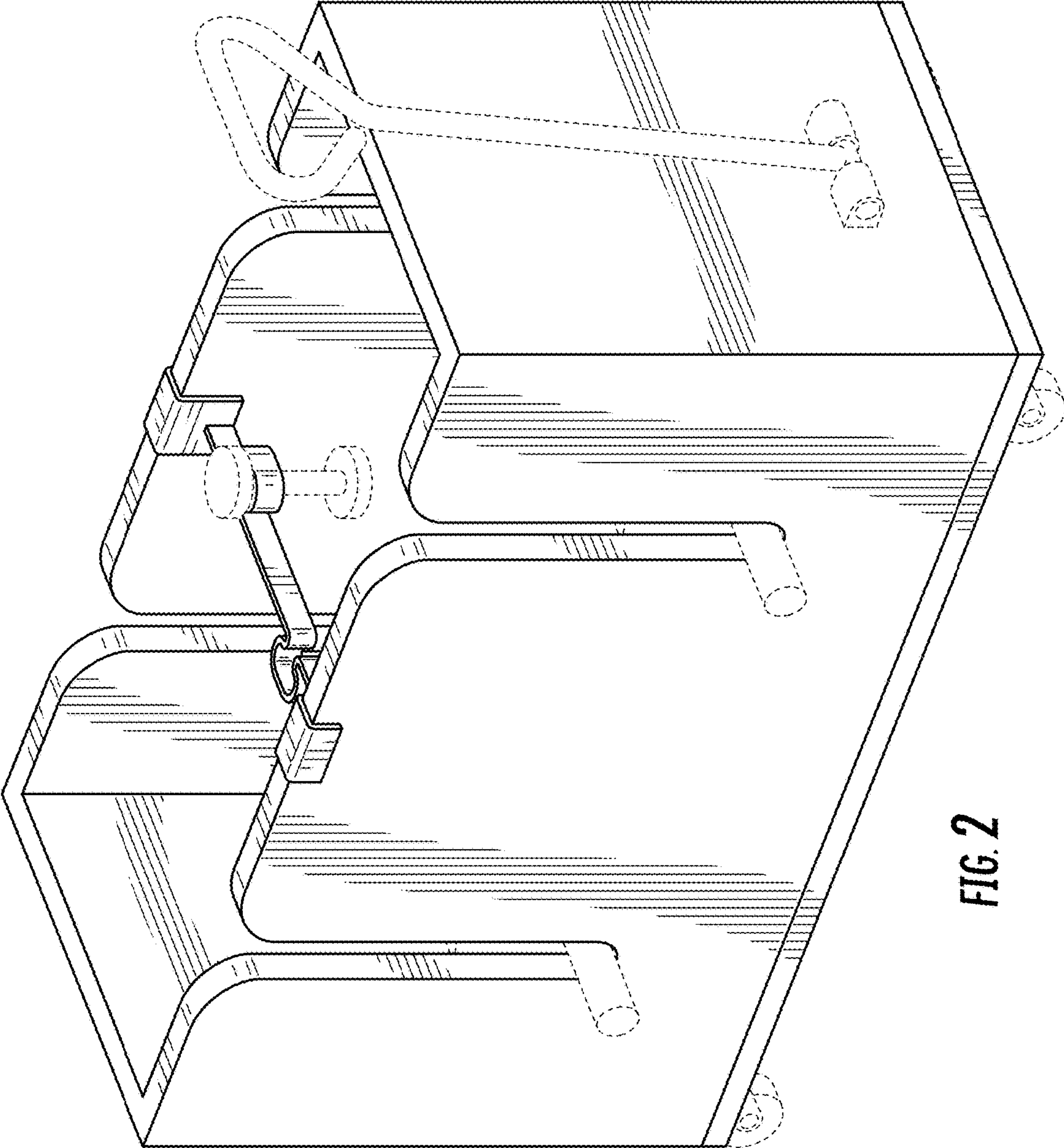
DESCRIPTION

FIG. 1 is a perspective view of a weight cart showing our new design;
FIG. 2 is another perspective view of the design of FIG. 1;
FIG. 3 is a front elevational view of the design of FIG. 1;
FIG. 4 is a rear elevational view of the design of FIG. 1;
FIG. 5 is a left side elevational view of the design of FIG. 1;
FIG. 6 is a right side elevational view of the design of FIG. 1;
FIG. 7 is a top plan view of the design of FIG. 1; and,
FIG. 8 is a bottom plan view of the design of FIG. 1.
The broken line showings are included for the purpose of illustrating environment and form no part of the claimed design for a weight cart.

1 Claim, 8 Drawing Sheets







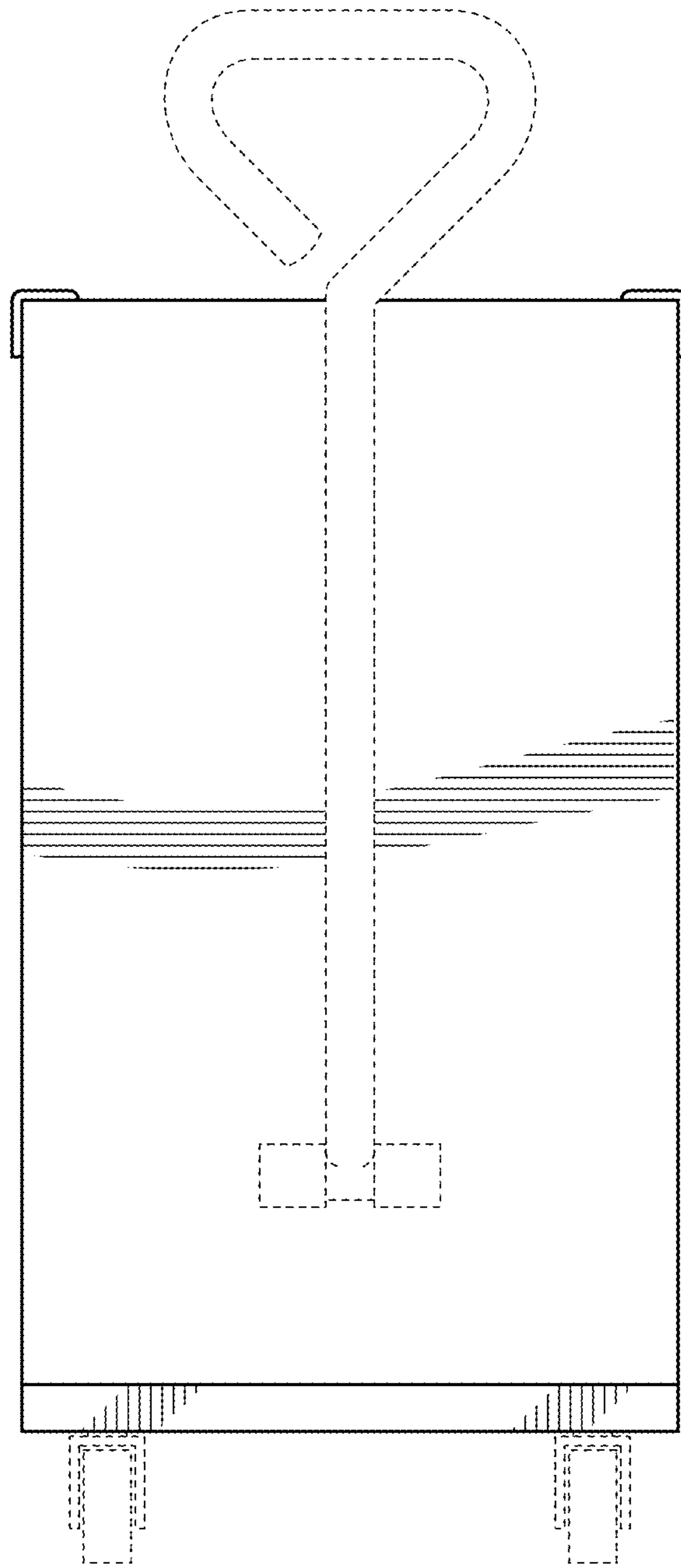


FIG. 3

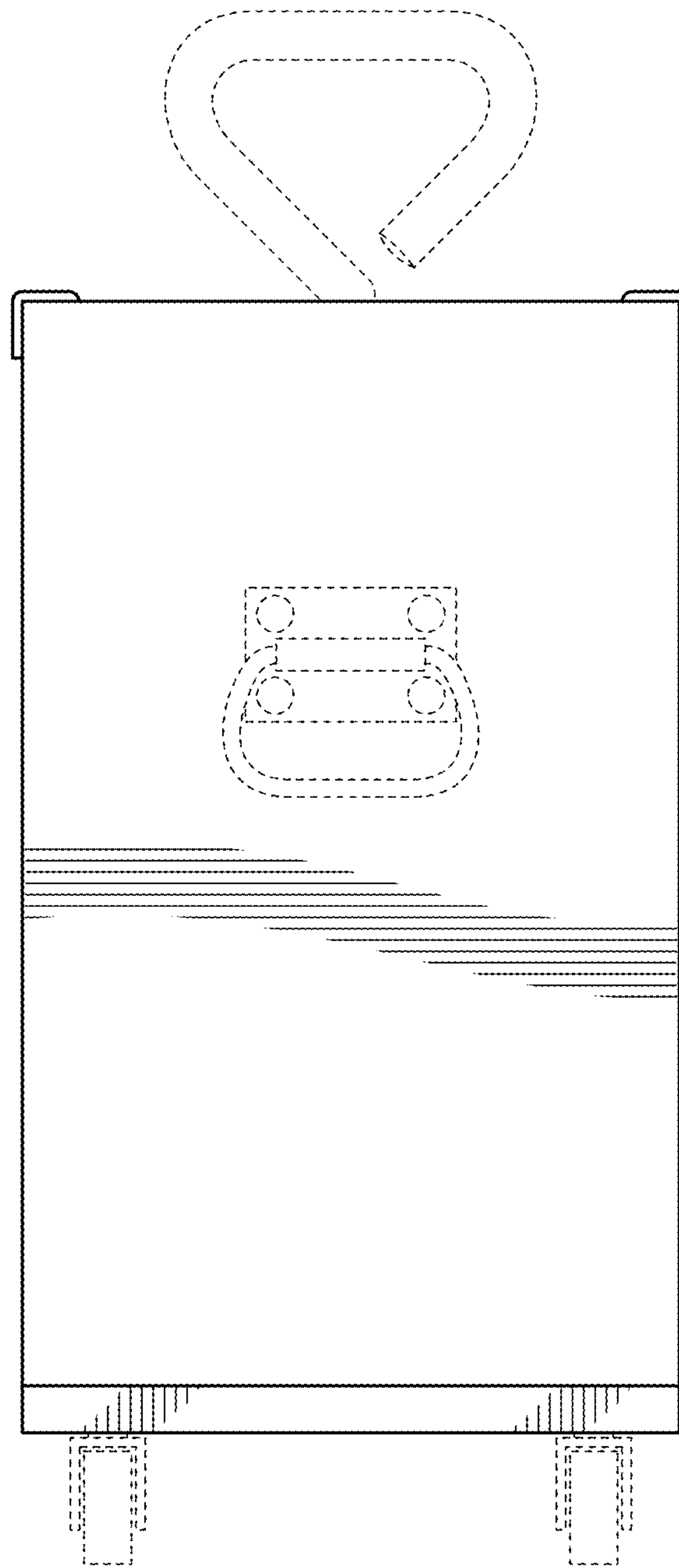
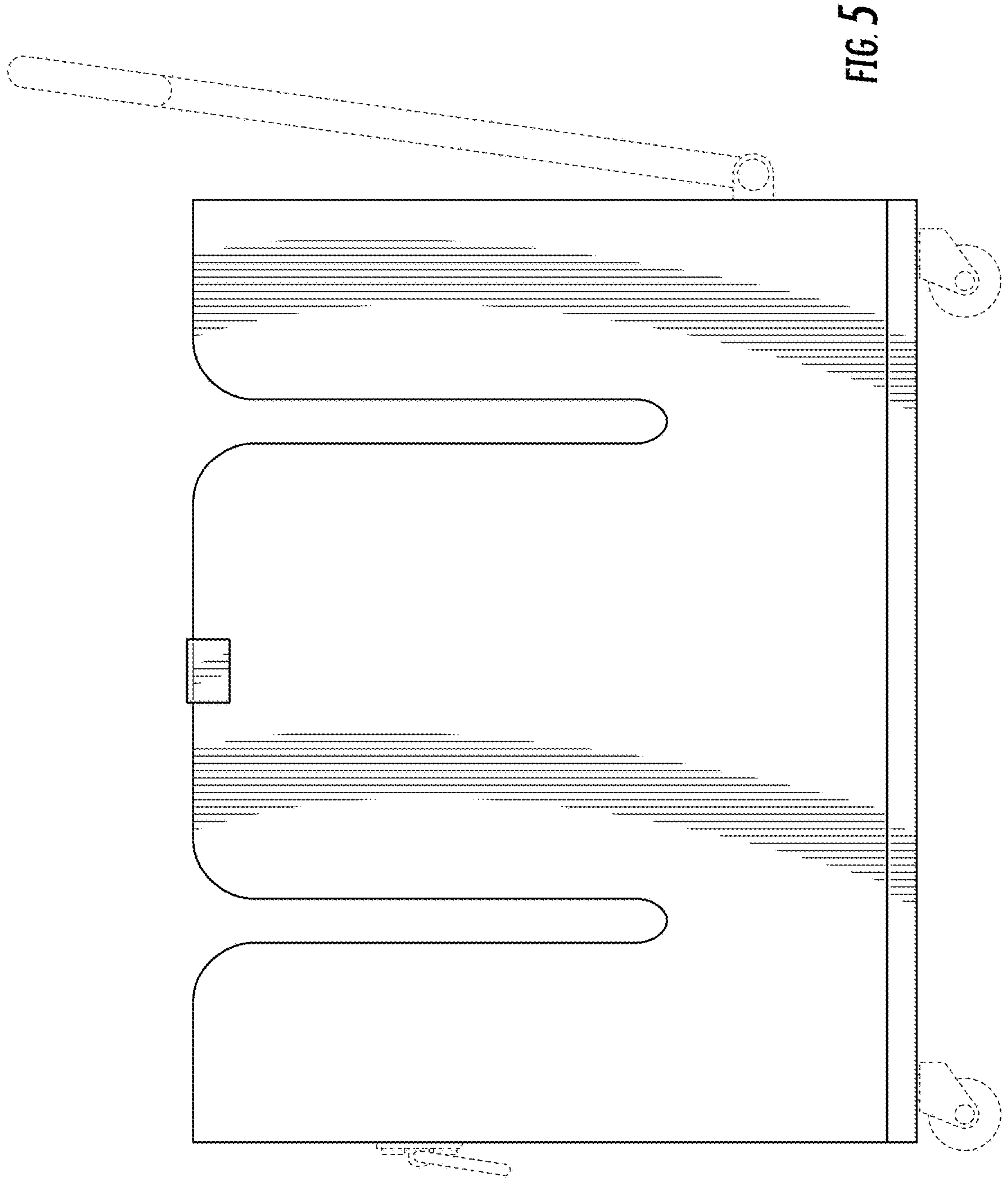


FIG. 4



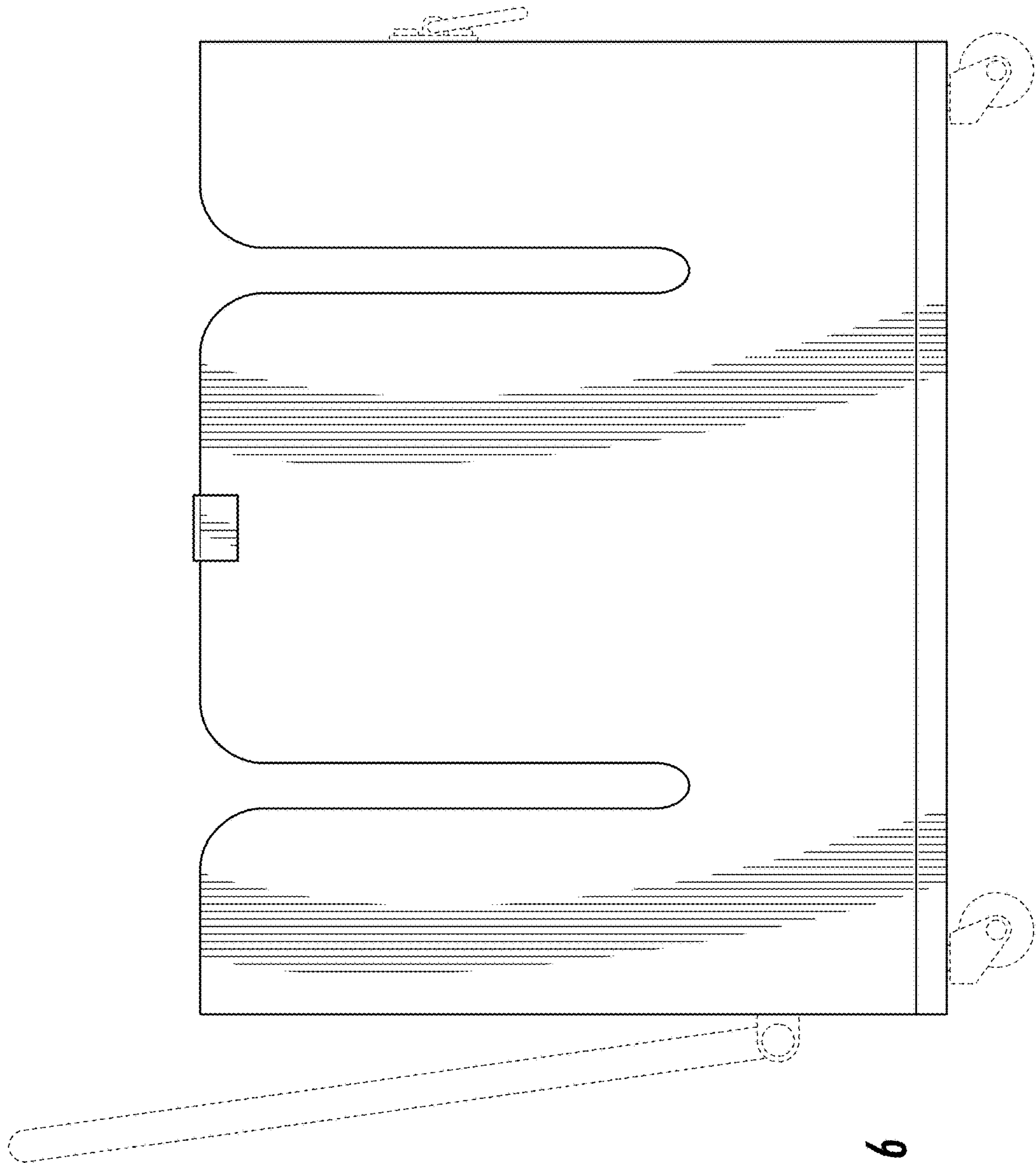


FIG. 6

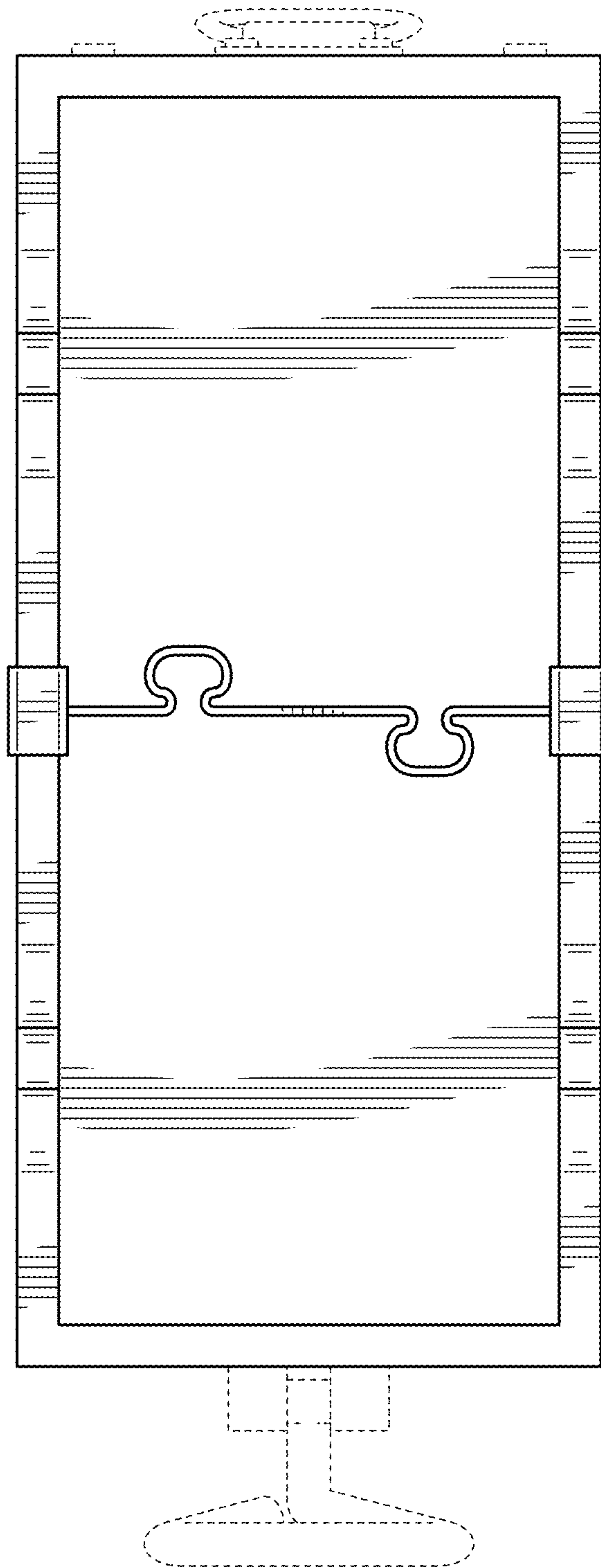


FIG. 7

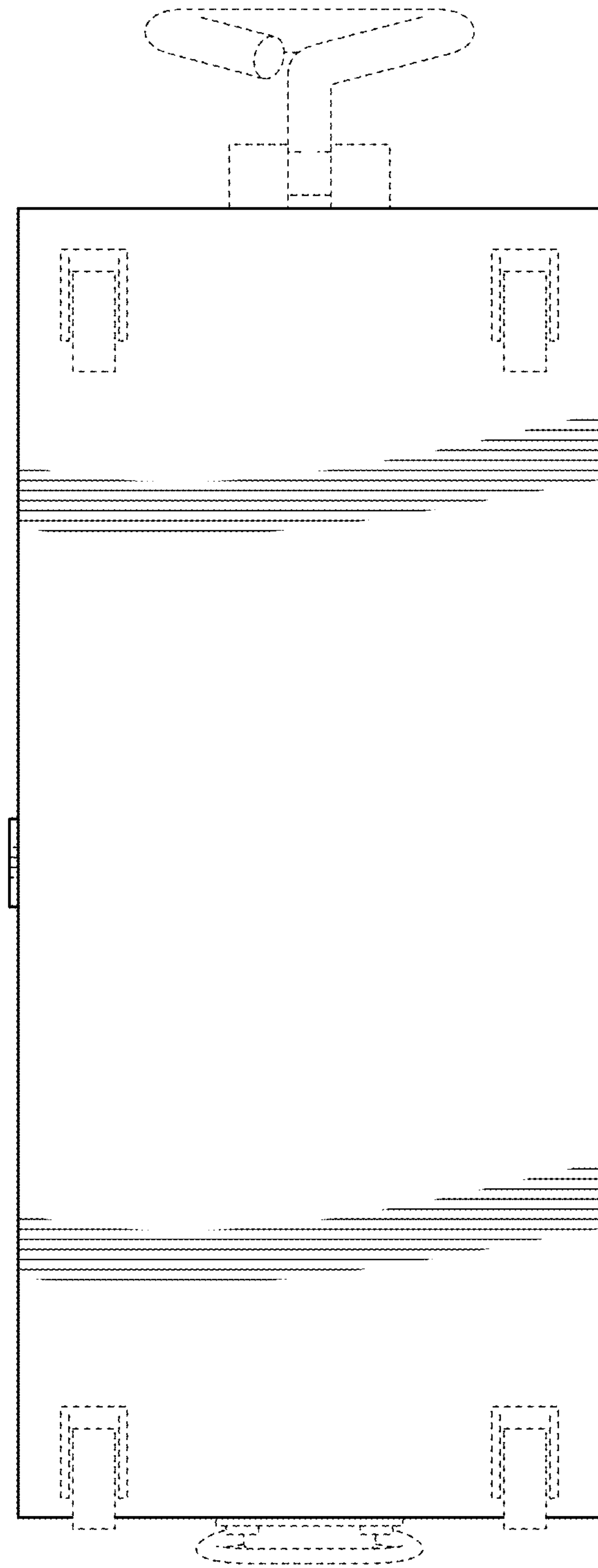


FIG. 8