



US00D812832S

(12) **United States Design Patent**
Larouche

(10) **Patent No.:** **US D812,832 S**
(45) **Date of Patent:** **** Mar. 13, 2018**

- (54) **SWIMMING POOL BRUSH**
- (71) Applicant: **CPA POOL PRODUCTS, INC.**,
Blainville (CA)
- (72) Inventor: **Annie Larouche**, Mascouche (CA)
- (73) Assignee: **CPA POOL PRODUCTS, INC.**,
Blainville (CA)
- (**) Term: **15 Years**
- (21) Appl. No.: **29/580,144**
- (22) Filed: **Oct. 6, 2016**
- (51) **LOC (11) Cl.** **15-05**
- (52) **U.S. Cl.**
USPC **D32/33**
- (58) **Field of Classification Search**
USPC D32/51, 17, 21-24, 31-33, 45, 50
CPC ... E04H 4/1609; E04H 4/1636; E04H 4/1654;
E04H 4/169; E04H 4/1272; D06F 87/00;
D06F 73/00; F22B 1/284; F24F 6/025;
B44C 7/027; A47L 11/34; A47L 11/4044;
A47L 9/02; A47L 9/06; A47L 9/2842;
B01D 35/26
See application file for complete search history.

- (56) **References Cited**
U.S. PATENT DOCUMENTS
4,962,559 A * 10/1990 Schuman E04H 4/1618
15/1.7
D317,678 S * 6/1991 Butcher D32/22

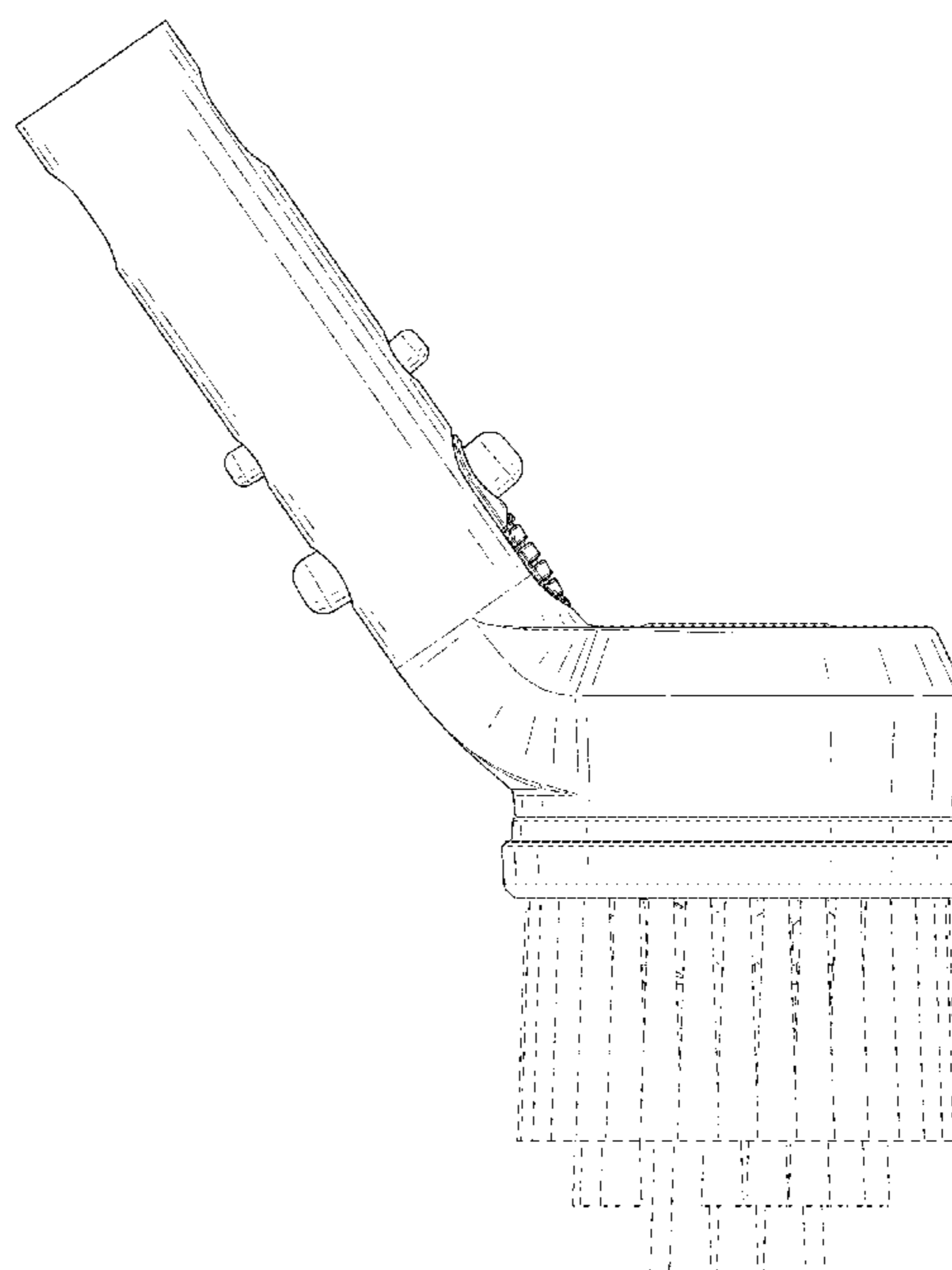
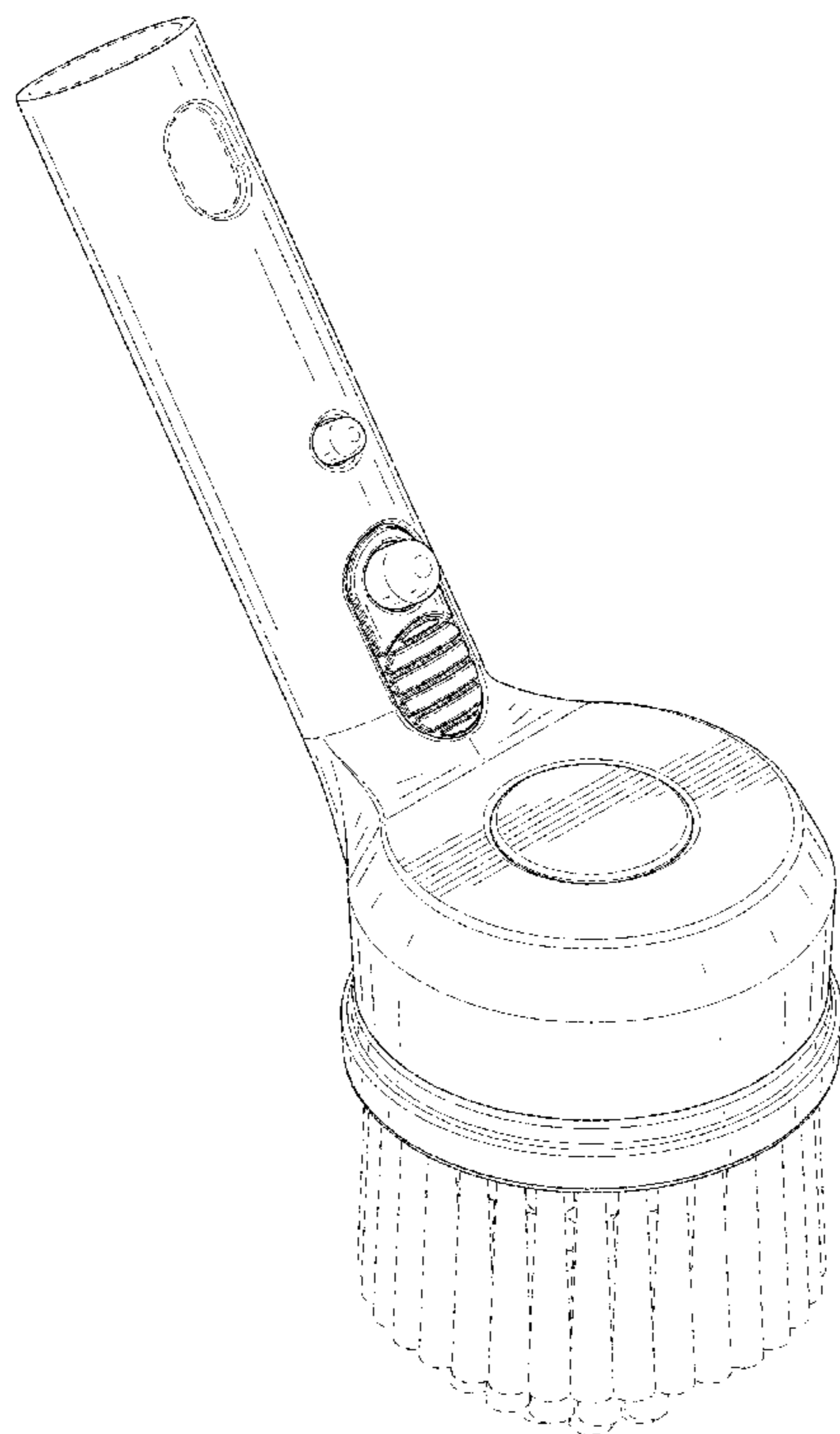
- D519,696 S * 4/2006 Adams D32/33
- D520,202 S * 5/2006 Dyson D32/33
- D603,570 S * 11/2009 Svantesson D32/32
- D660,526 S * 5/2012 Erlich D32/18
- 8,209,806 B2 * 7/2012 Lyons A46B 5/00
15/1.7
- 8,281,441 B1 * 10/2012 Erlich E04H 4/1618
15/1.7
- D712,609 S * 9/2014 Crawley D32/33
- D713,110 S * 9/2014 Erlich D32/33

* cited by examiner
Primary Examiner — Ruth McInroy
(74) *Attorney, Agent, or Firm* — Hodgson Russ LLP

(57) **CLAIM**
The ornamental design for a swimming pool brush, as shown and described.

DESCRIPTION
FIG. 1 is a perspective view of a swimming pool brush showing my new design;
FIG. 2 is a front elevational view thereof;
FIG. 3 is a rear elevational view thereof;
FIG. 4 is a left side elevational view thereof;
FIG. 5 is a right side elevational view thereof;
FIG. 6 is a top plan view thereof; and,
FIG. 7 is a bottom plan view thereof.
The broken lines show unclaimed features that form no part of the claimed design.

1 Claim, 7 Drawing Sheets



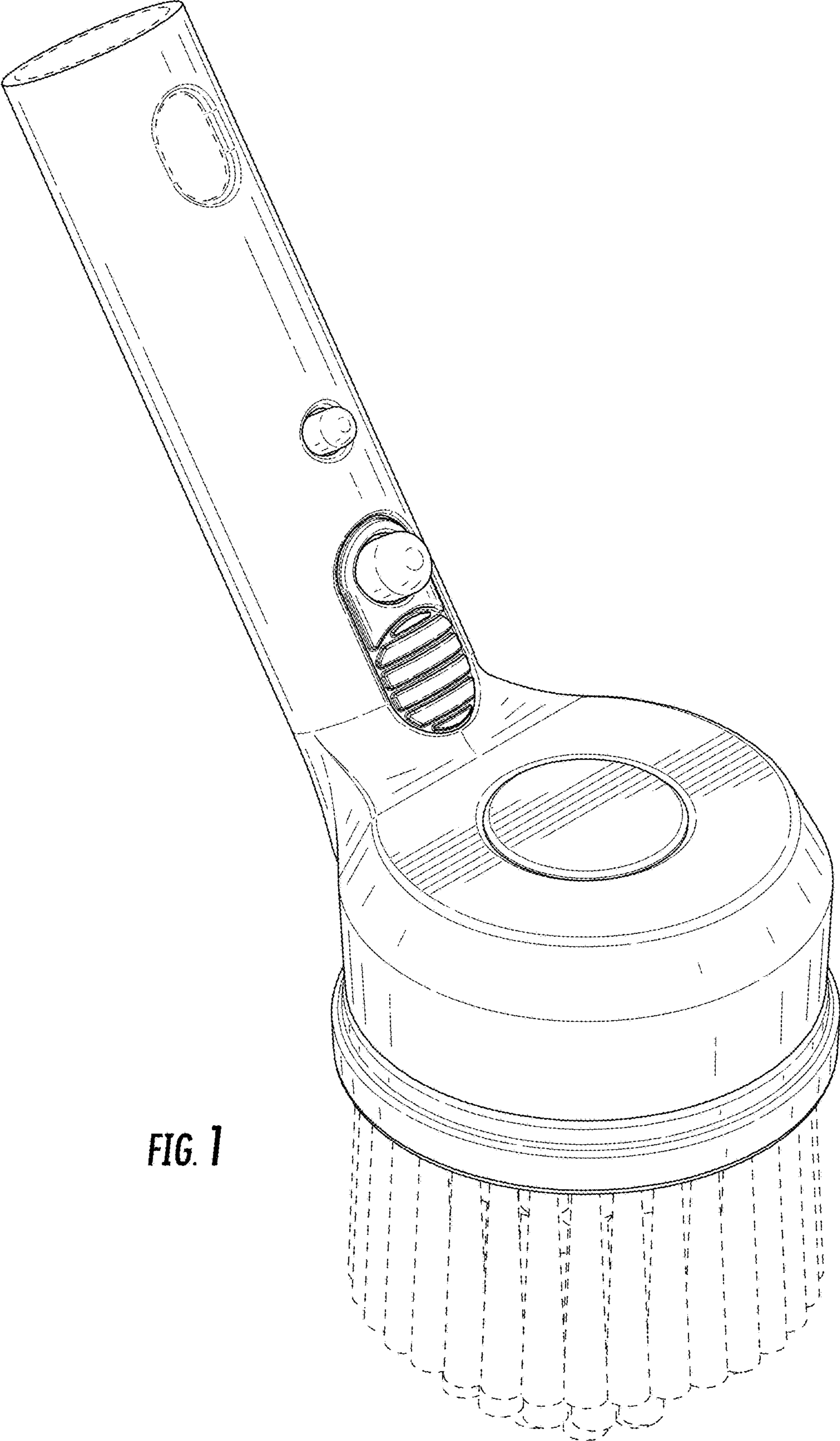


FIG. 1

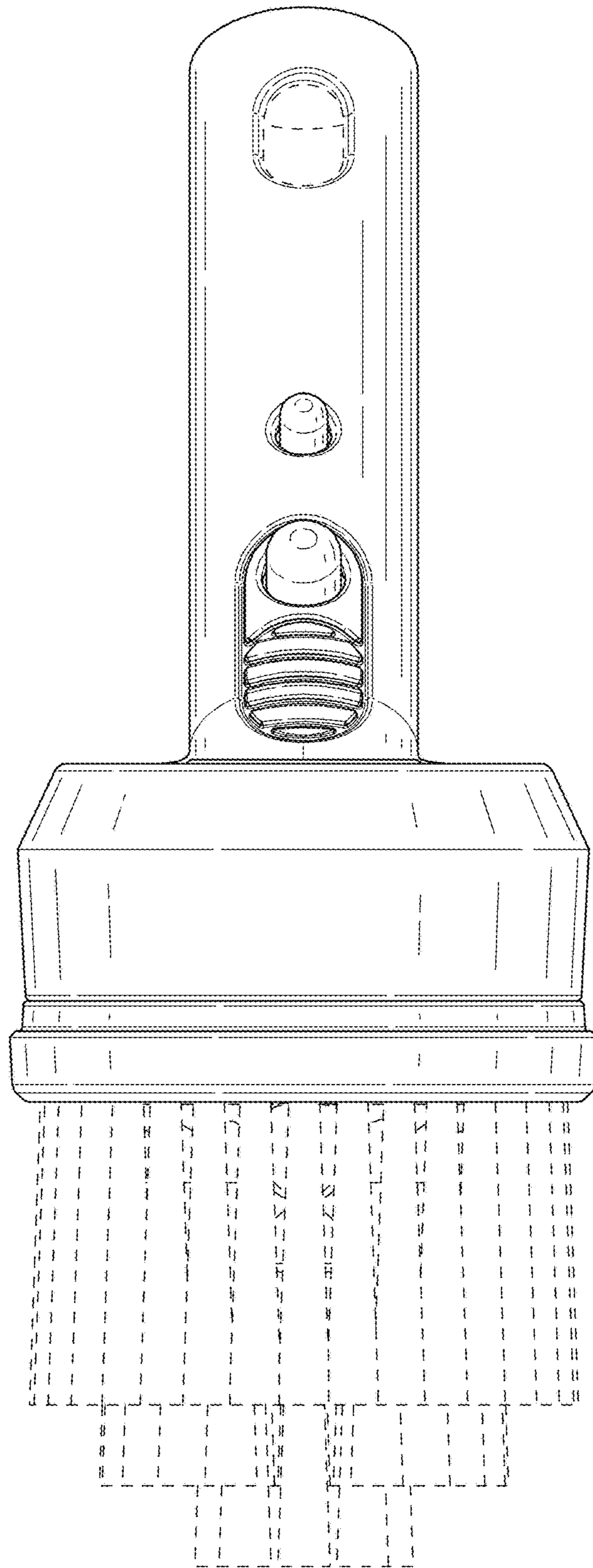


FIG. 2

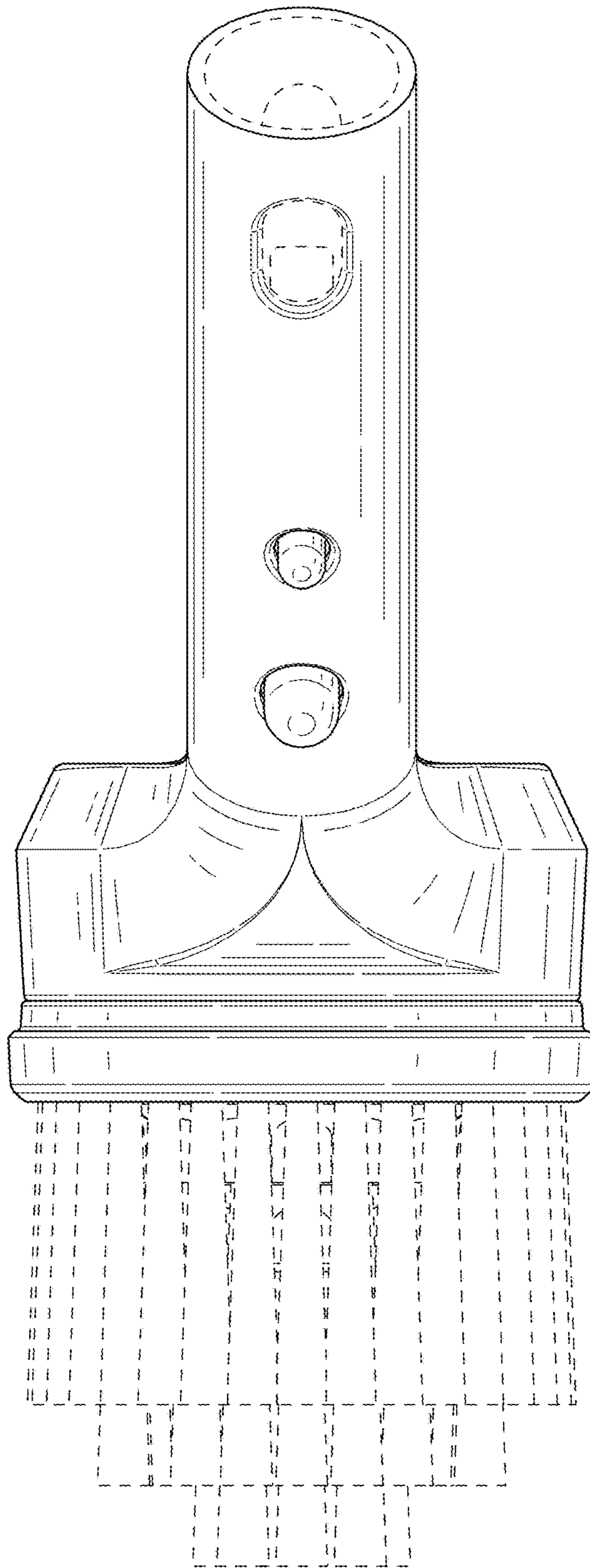


FIG. 3

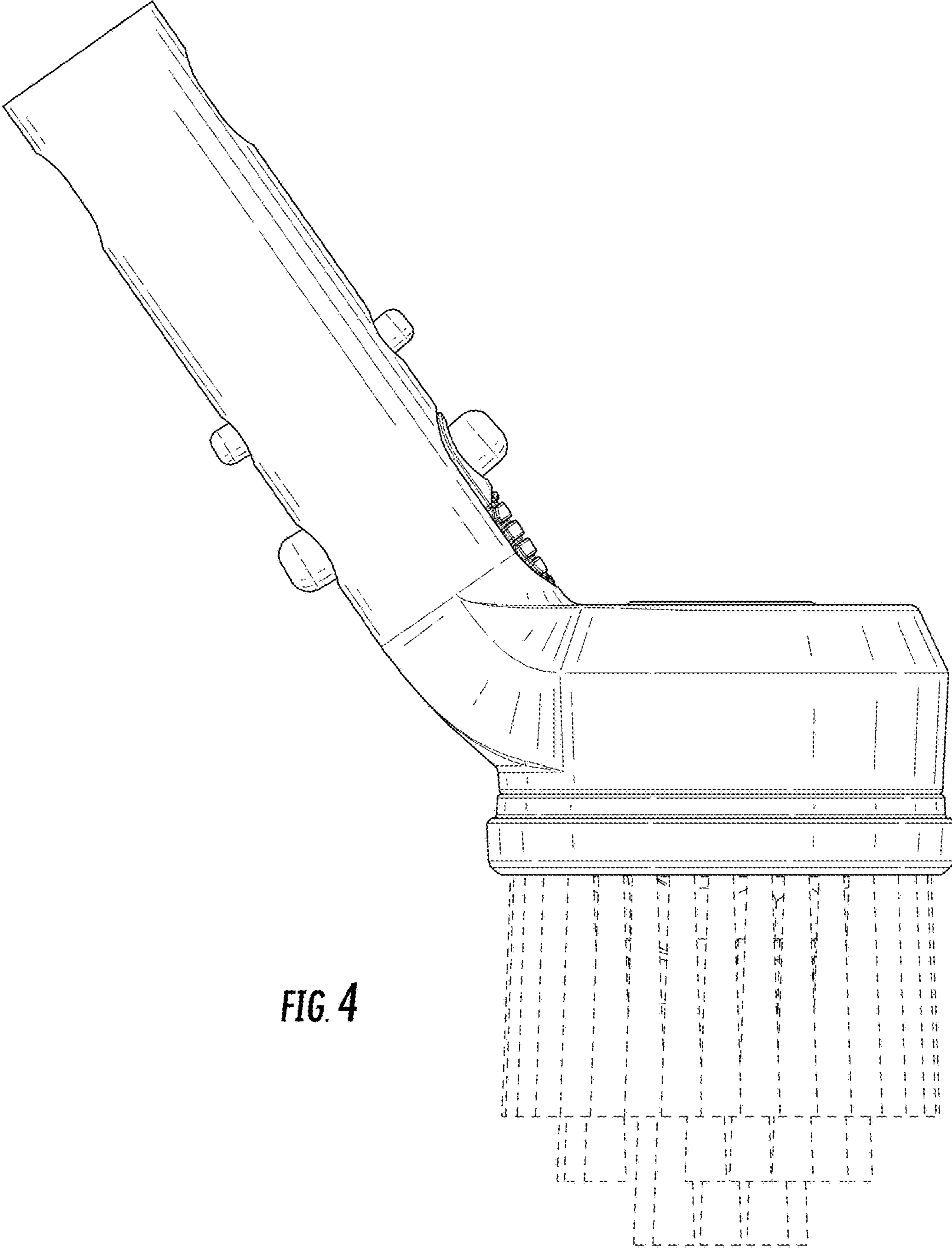


FIG. 4

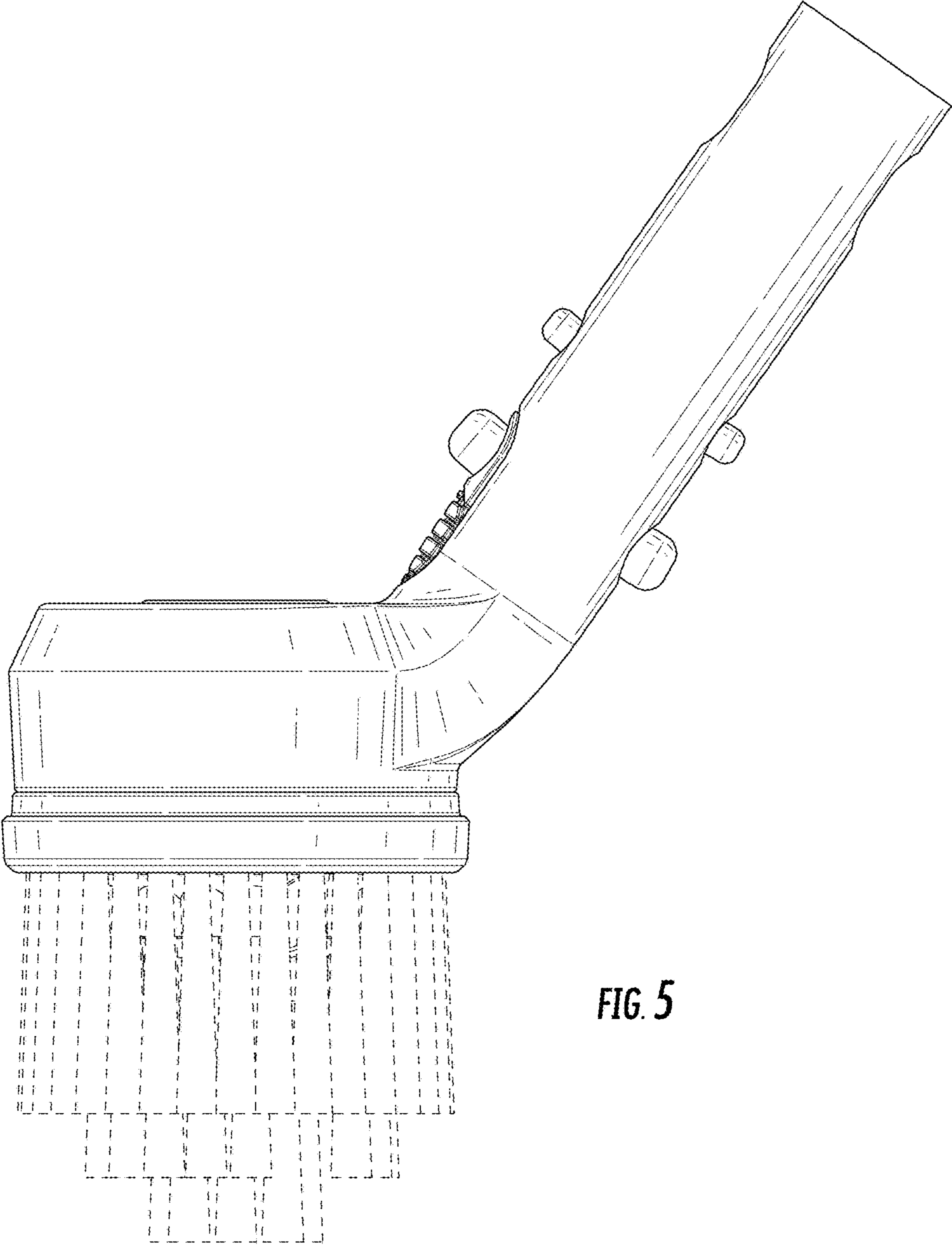


FIG. 5

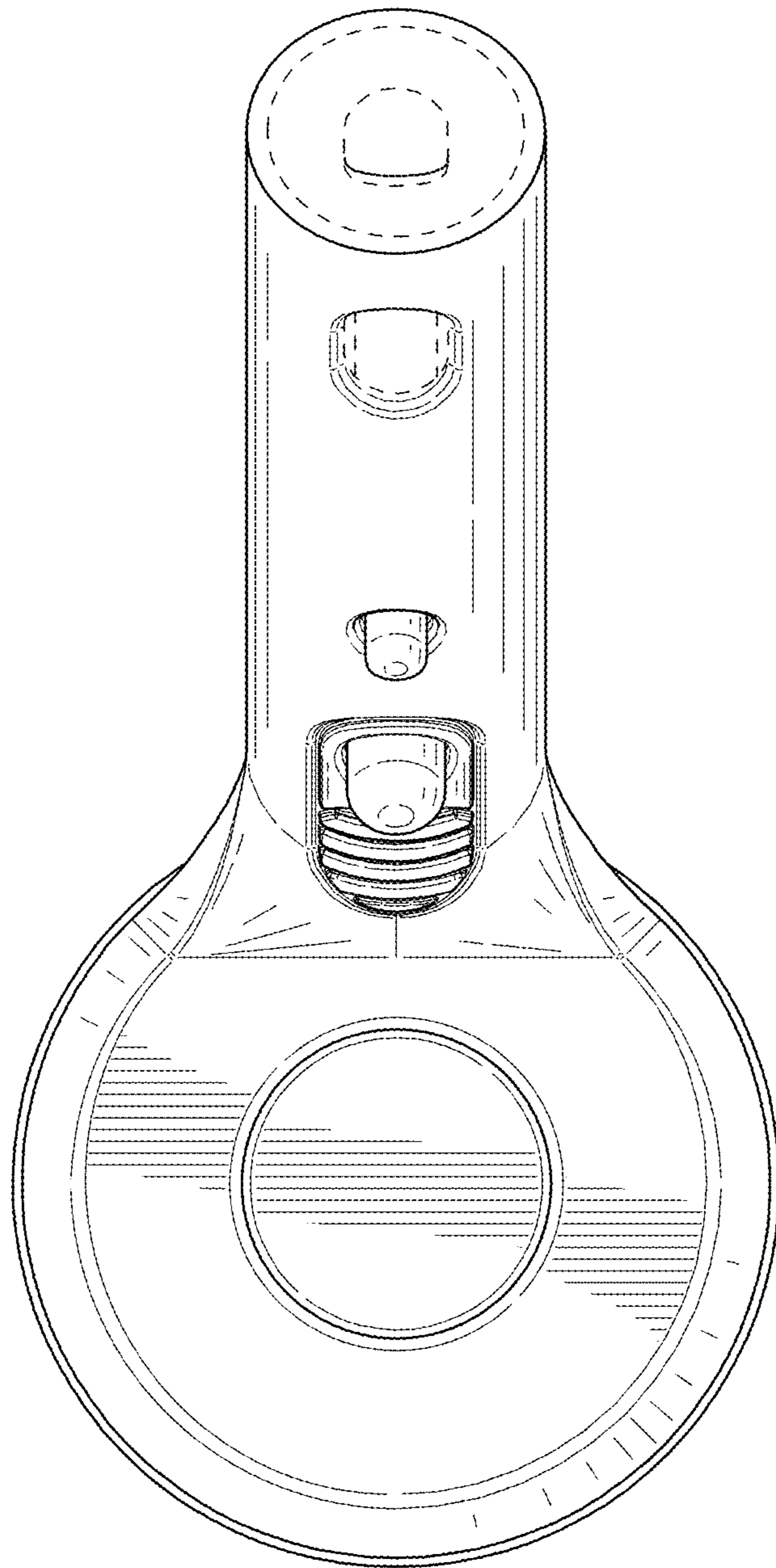


FIG. 6

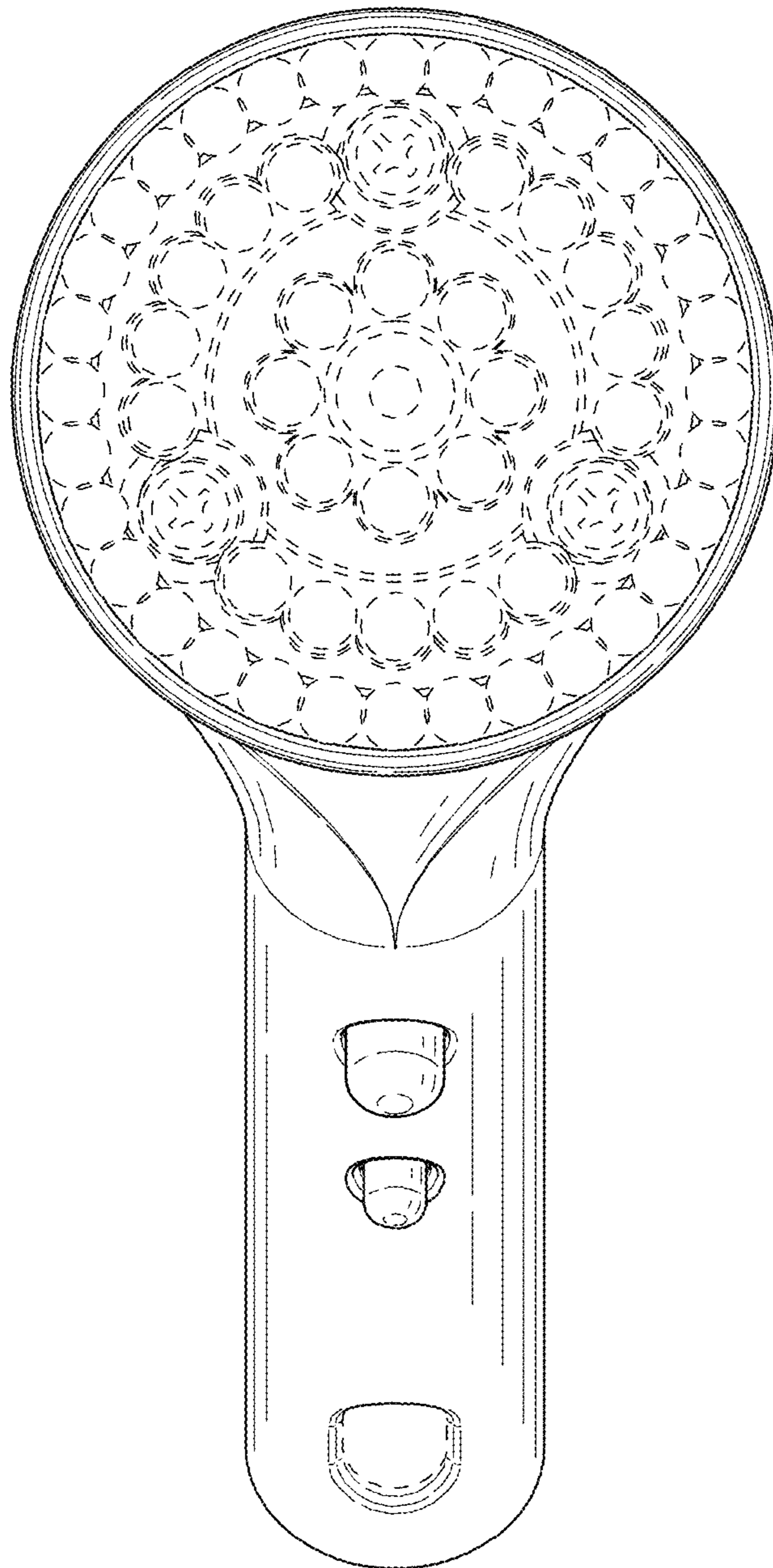


FIG. 7