



US00D812831S

(12) **United States Design Patent**
Lutz et al.

(10) **Patent No.:** **US D812,831 S**
(45) **Date of Patent:** **** Mar. 13, 2018**

(54) **VACUUM CLEANER FLOOR TOOL**

(71) Applicant: **Emerson Electric Co.**, St. Louis, MO
(US)

(72) Inventors: **Christopher Lutz**, Wentzville, MO
(US); **Alex J. Wall**, St. Louis, MO
(US); **Jaime Swindall**, St. Louis, MO
(US)

(73) Assignee: **Emerson Electric Co.**, St. Louis, MO
(US)

(**) Term: **15 Years**

(21) Appl. No.: **29/569,326**

(22) Filed: **Jun. 27, 2016**

(51) **LOC (11) Cl.** **15-05**

(52) **U.S. Cl.**
USPC **D32/32**

(58) **Field of Classification Search**
USPC D8/396; D32/31-33, 35, 40, 50, 51
CPC F16M 13/02; A24F 19/092; F16L 27/12;
A47L 9/242; A47L 9/02; A47L 9/06;
A47L 9/0673; A47L 5/362; A47L 5/28;
A47L 5/34; A47L 5/30; A47G 25/66;
E04H 4/1654

See application file for complete search history.

(56) **References Cited**

U.S. PATENT DOCUMENTS

2,814,066 A 11/1957 Lesh, Jr.
D206,055 S * 10/1966 Bearse et al. D32/32
D287,173 S * 12/1986 Libman D32/45
(Continued)

FOREIGN PATENT DOCUMENTS

EP 1421891 A1 5/2004
EP 1832214 A1 9/2007
JP 2001054495 A 2/2001

Primary Examiner — Ruth McInroy

(74) *Attorney, Agent, or Firm* — Armstrong Teasdale LLP

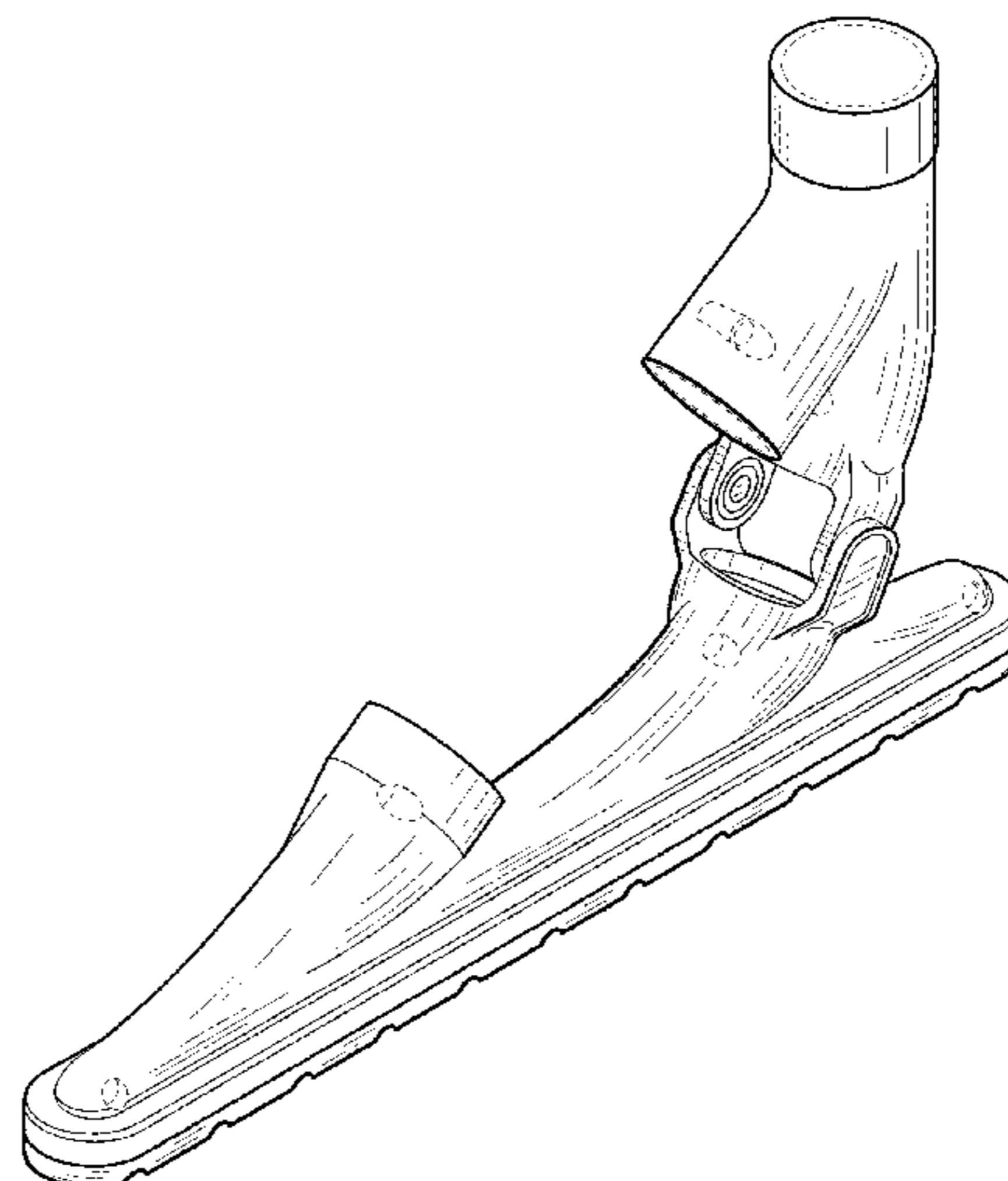
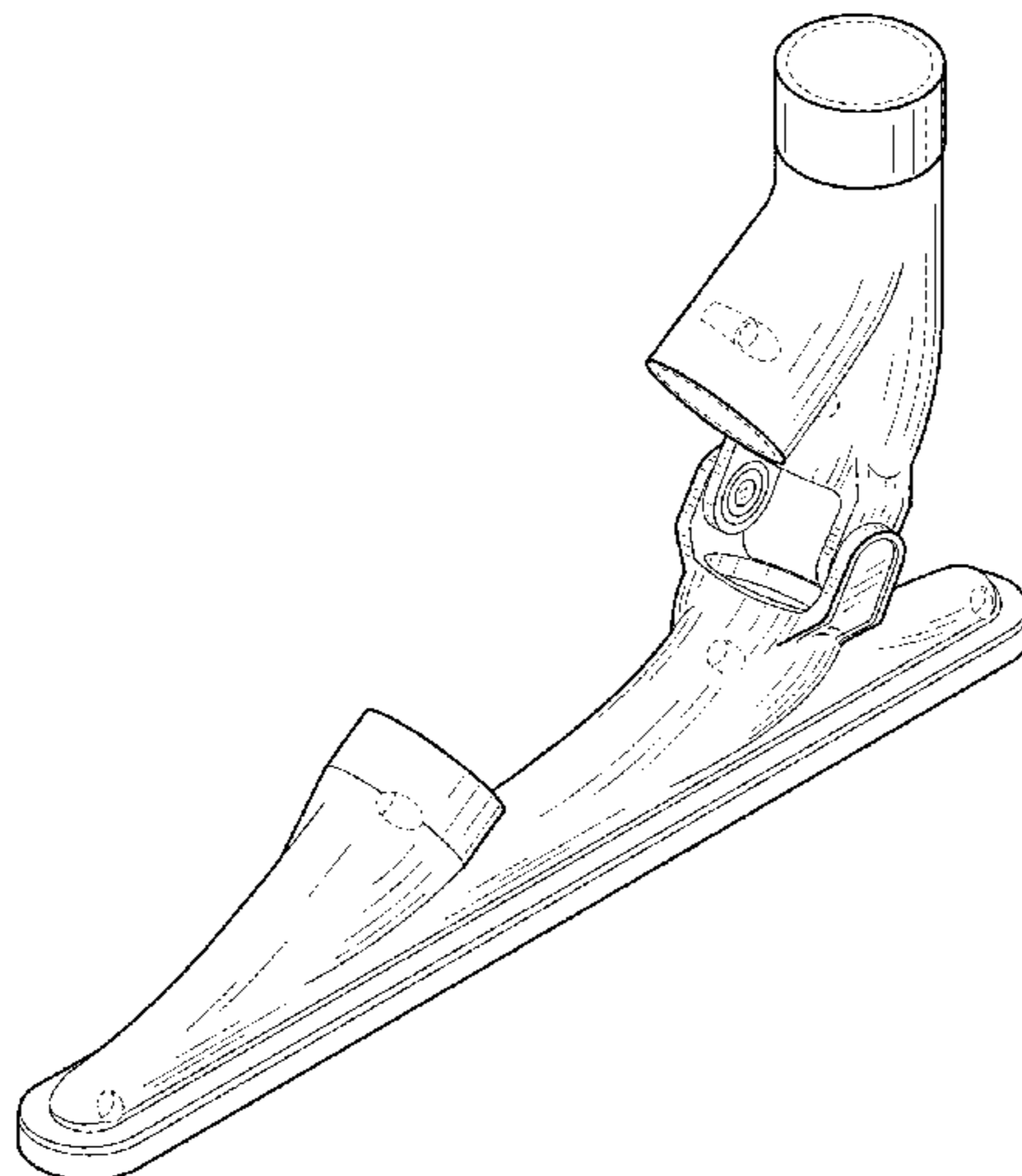
(57) **CLAIM**

We claim the ornamental design for a vacuum cleaner floor tool, as shown and described.

DESCRIPTION

FIG. 1 is a front perspective view of a first embodiment of a vacuum cleaner floor tool showing the new design; FIG. 2 is a right side view thereof. FIG. 3 is a left side view thereof. FIG. 4 is a top view thereof. FIG. 5 is a bottom view thereof. FIG. 6 is a front view thereof. FIG. 7 is a rear view thereof. FIG. 8 is another front perspective view thereof with environmental structure omitted. FIG. 9 is a front perspective view of a second embodiment of a vacuum cleaner floor tool showing the new design. FIG. 10 is a right side view thereof. FIG. 11 is a left side view thereof. FIG. 12 is a top view thereof. FIG. 13 is a bottom view thereof. FIG. 14 is a front view thereof. FIG. 15 is a rear view thereof. FIG. 16 is another front perspective view thereof with environmental structure omitted. FIG. 17 a front perspective view of a third embodiment of a vacuum cleaner floor tool showing the new design. FIG. 18 is a right side view thereof. FIG. 19 is a left side view thereof. FIG. 20 is a top view thereof. FIG. 21 is a bottom view thereof. FIG. 22 is a front view thereof. FIG. 23 is a rear view thereof; and, FIG. 24 is another front perspective view thereof with environmental structure omitted. The details shown in broken lines form no part of the claimed design.

1 Claim, 21 Drawing Sheets



(56)

References Cited

U.S. PATENT DOCUMENTS

D296,022	S	*	5/1988	Restivo	15/160
D306,506	S	*	3/1990	Houser	D32/33
5,440,782	A		8/1995	Yamashita		
5,706,550	A		1/1998	Holsten et al.		
6,279,198	B1		8/2001	Martin et al.		
D518,259	S	*	3/2006	Wertz	D32/33
D622,919	S	*	8/2010	Wertz	D32/32
D635,315	S	*	3/2011	Wertz	D32/32
D756,581	S	*	5/2016	Libman	D32/50
D760,973	S	*	7/2016	Ventress	D32/32
9,420,927	B2		8/2016	Ventress et al.		
D781,517	S	*	3/2017	Spence	D32/35
2003/0145425	A1		8/2003	Fernandez-Grandizo Martinez		
2010/0132151	A1		6/2010	Khalil et al.		

* cited by examiner

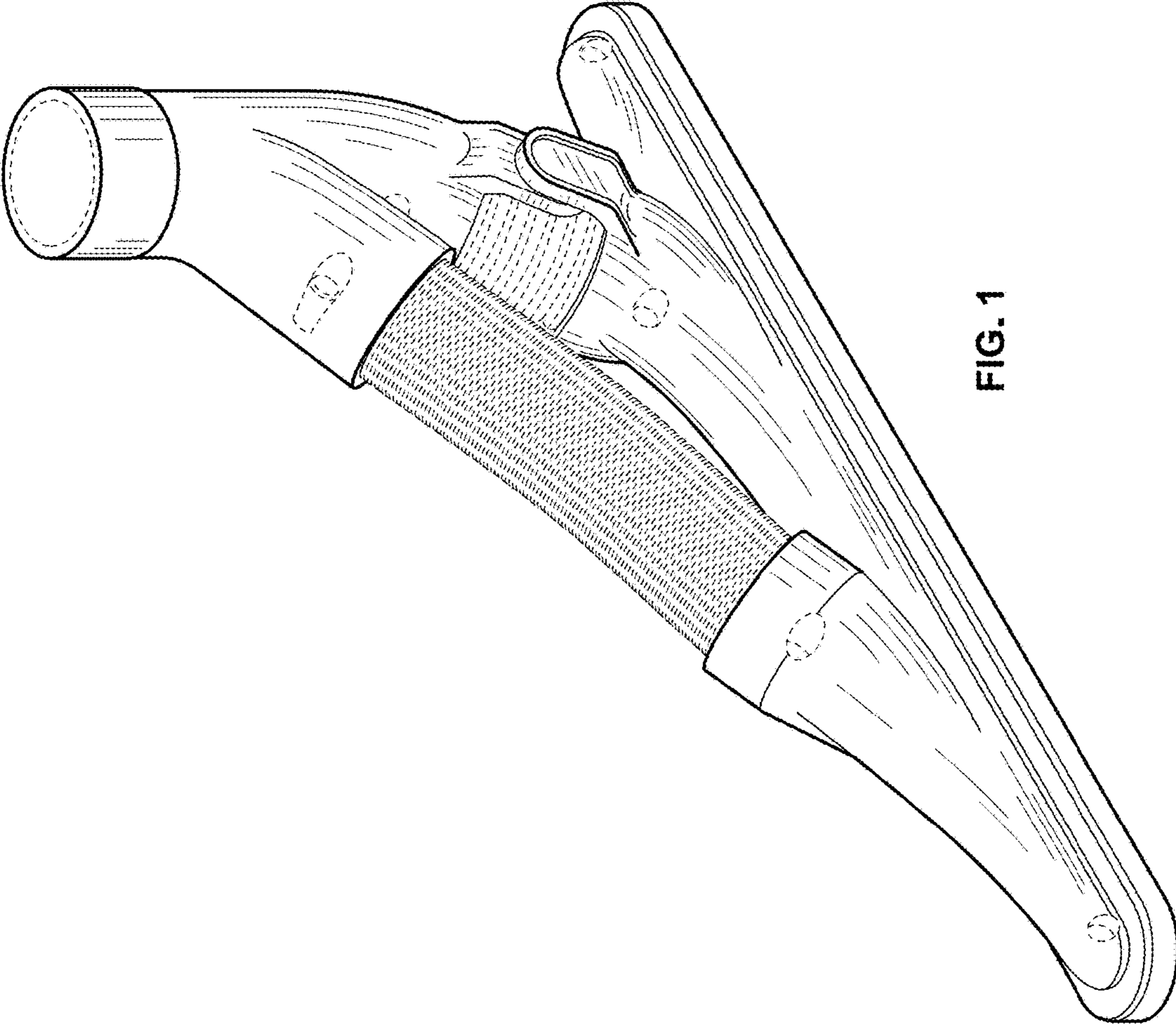


FIG. 1

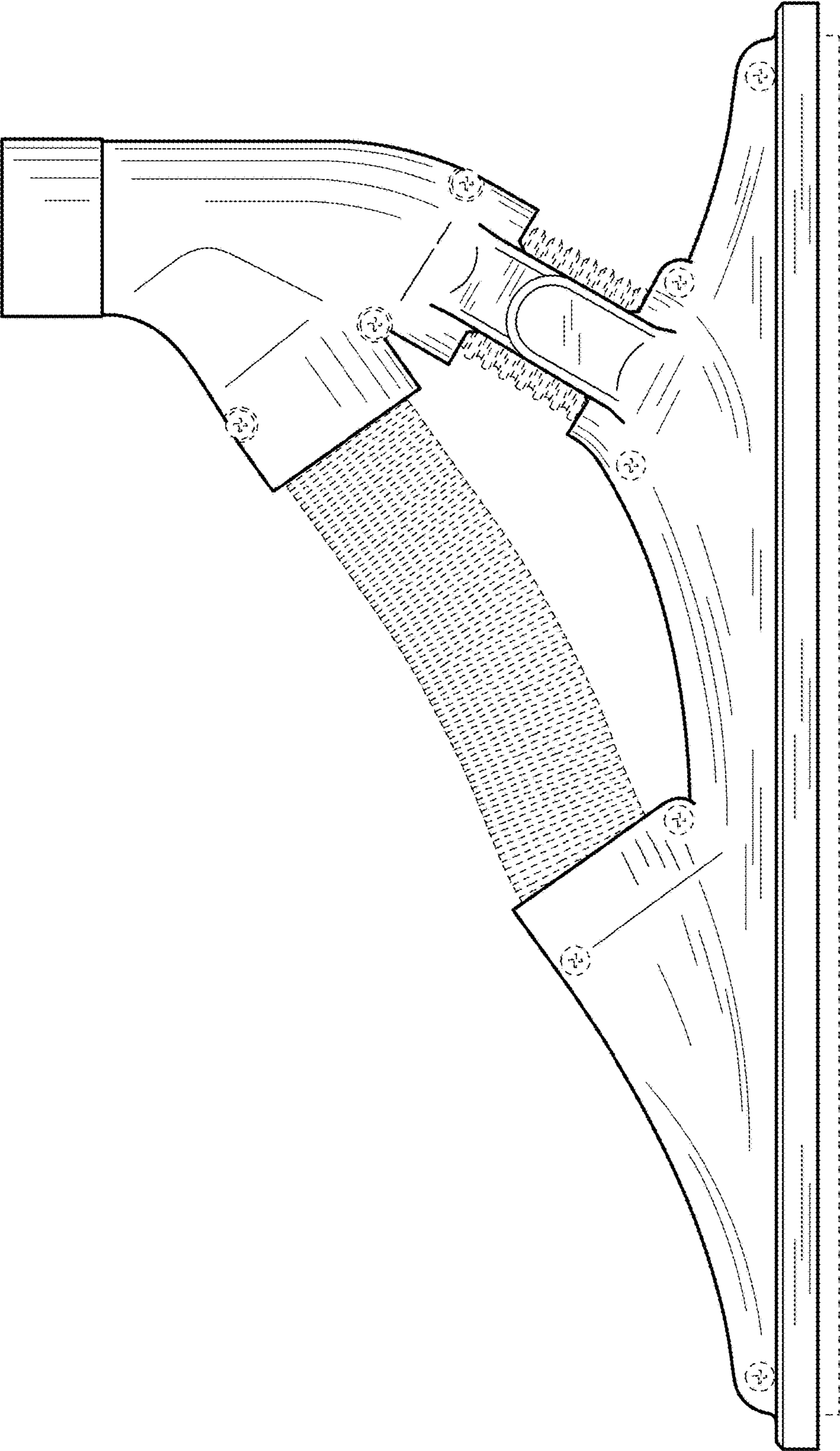


FIG. 2

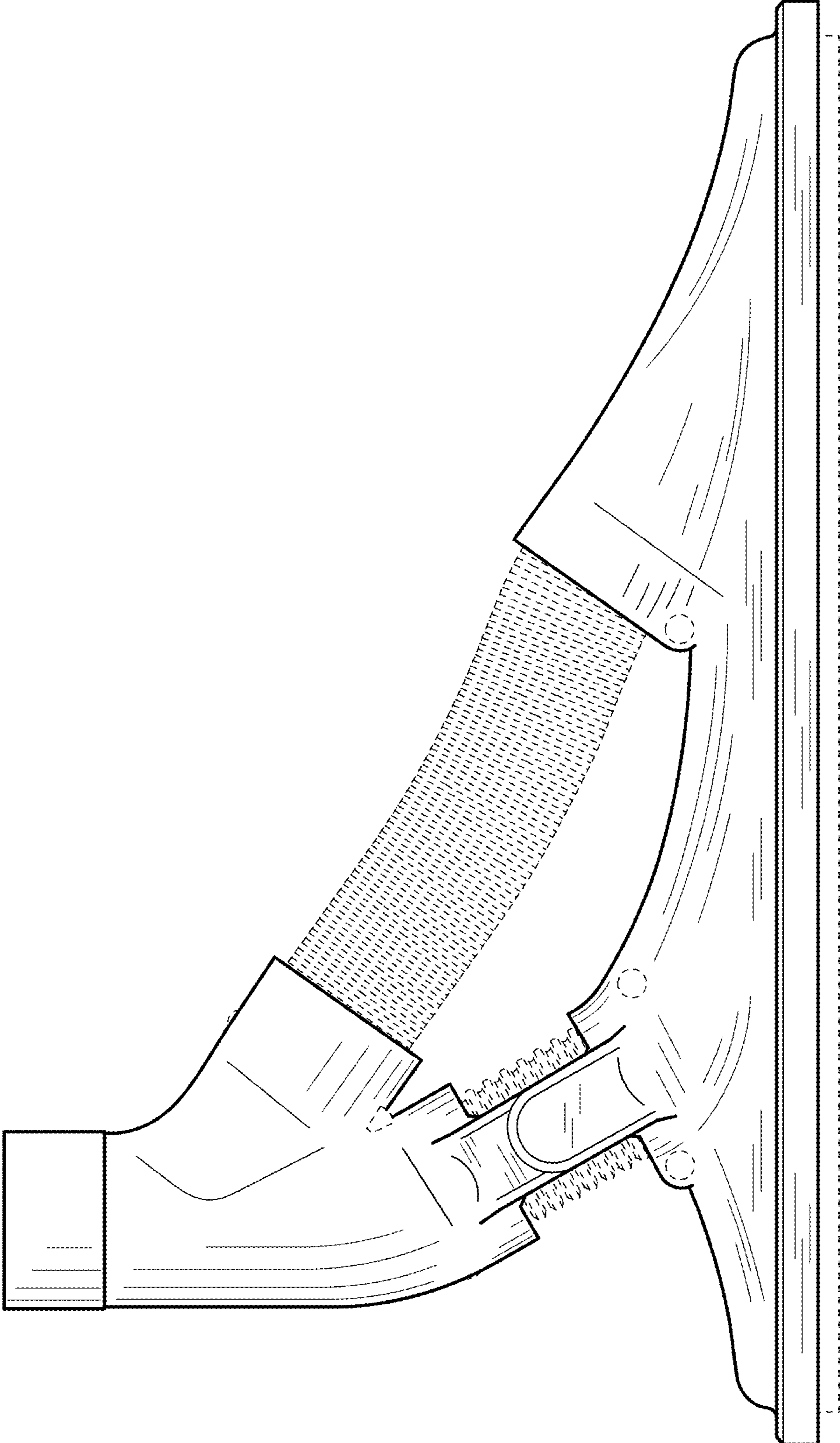


FIG. 3

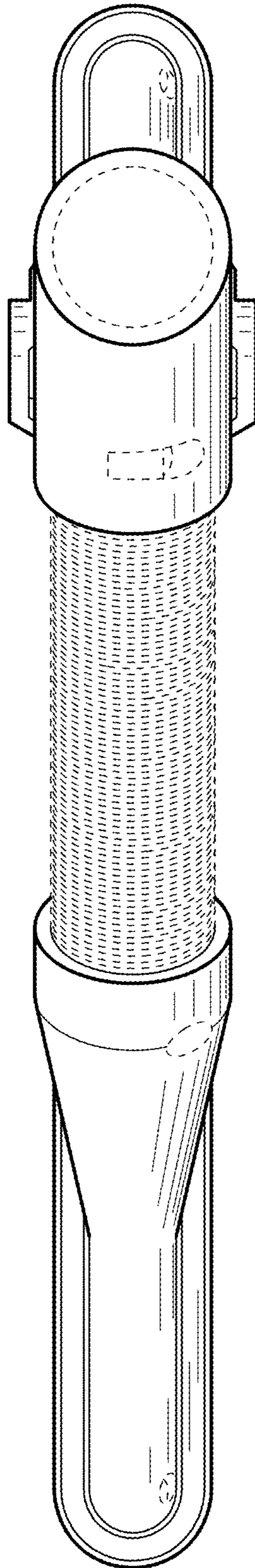


FIG. 4

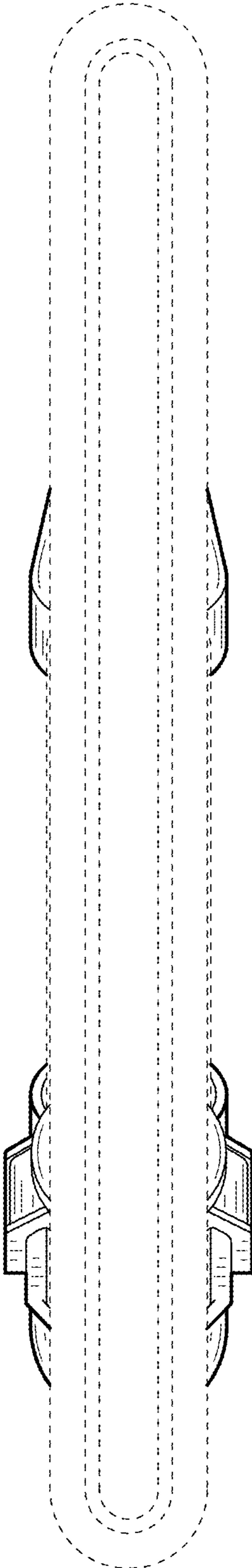


FIG. 5

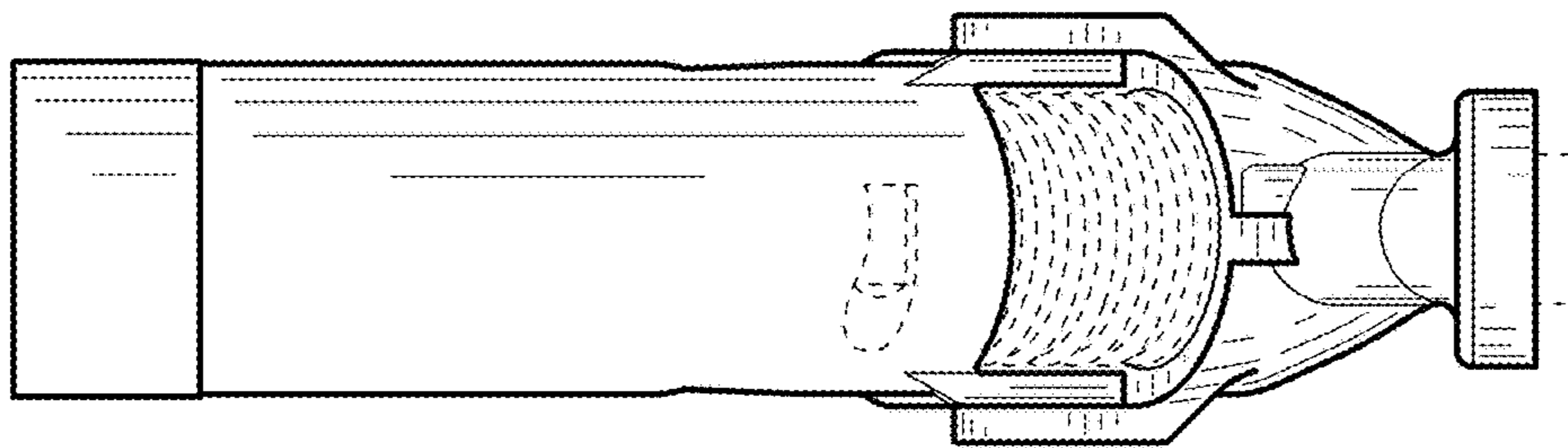


FIG. 7

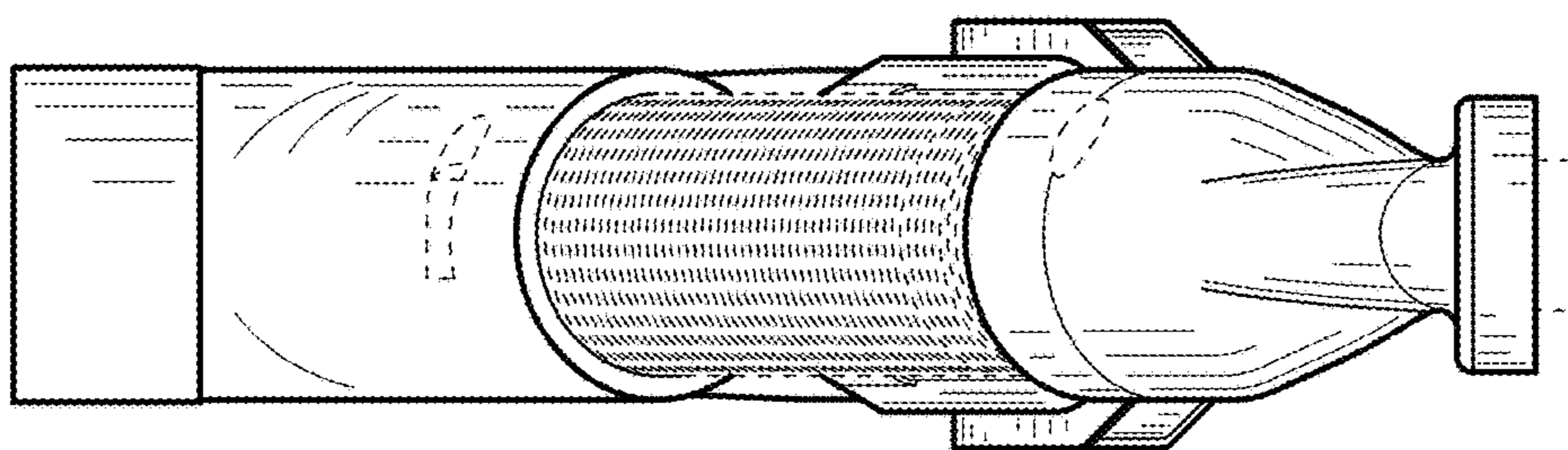


FIG. 6

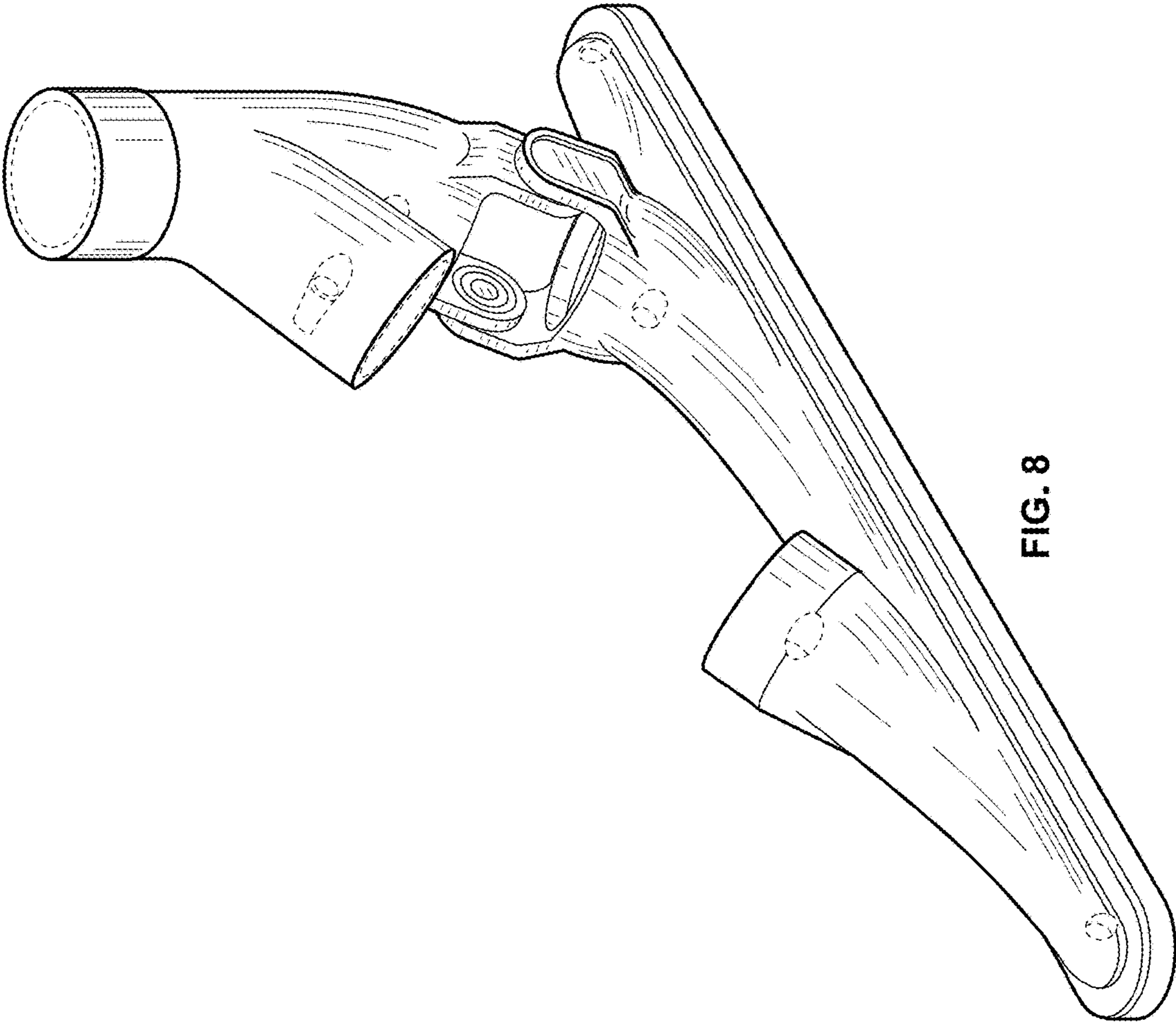


FIG. 8

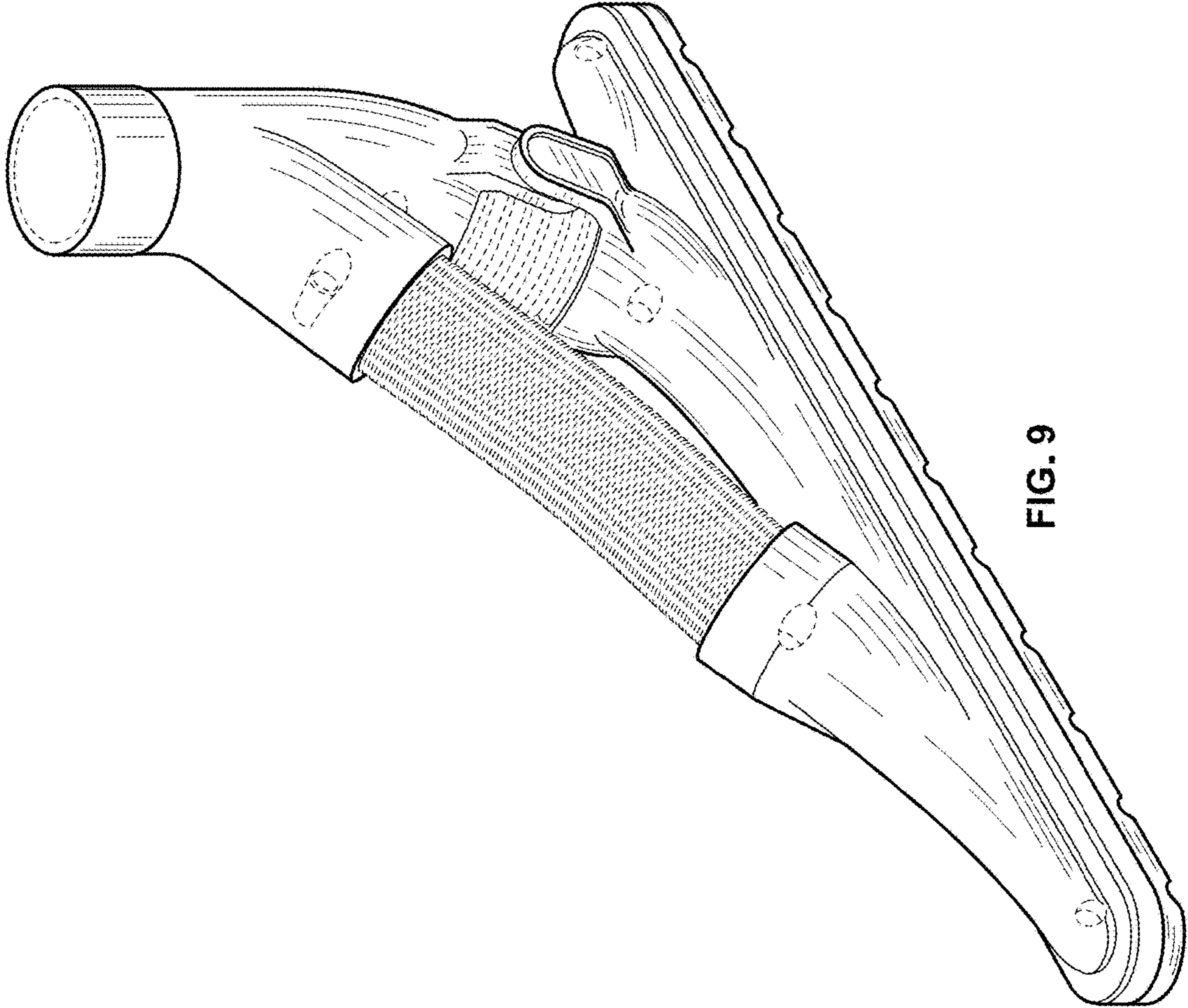


FIG. 9

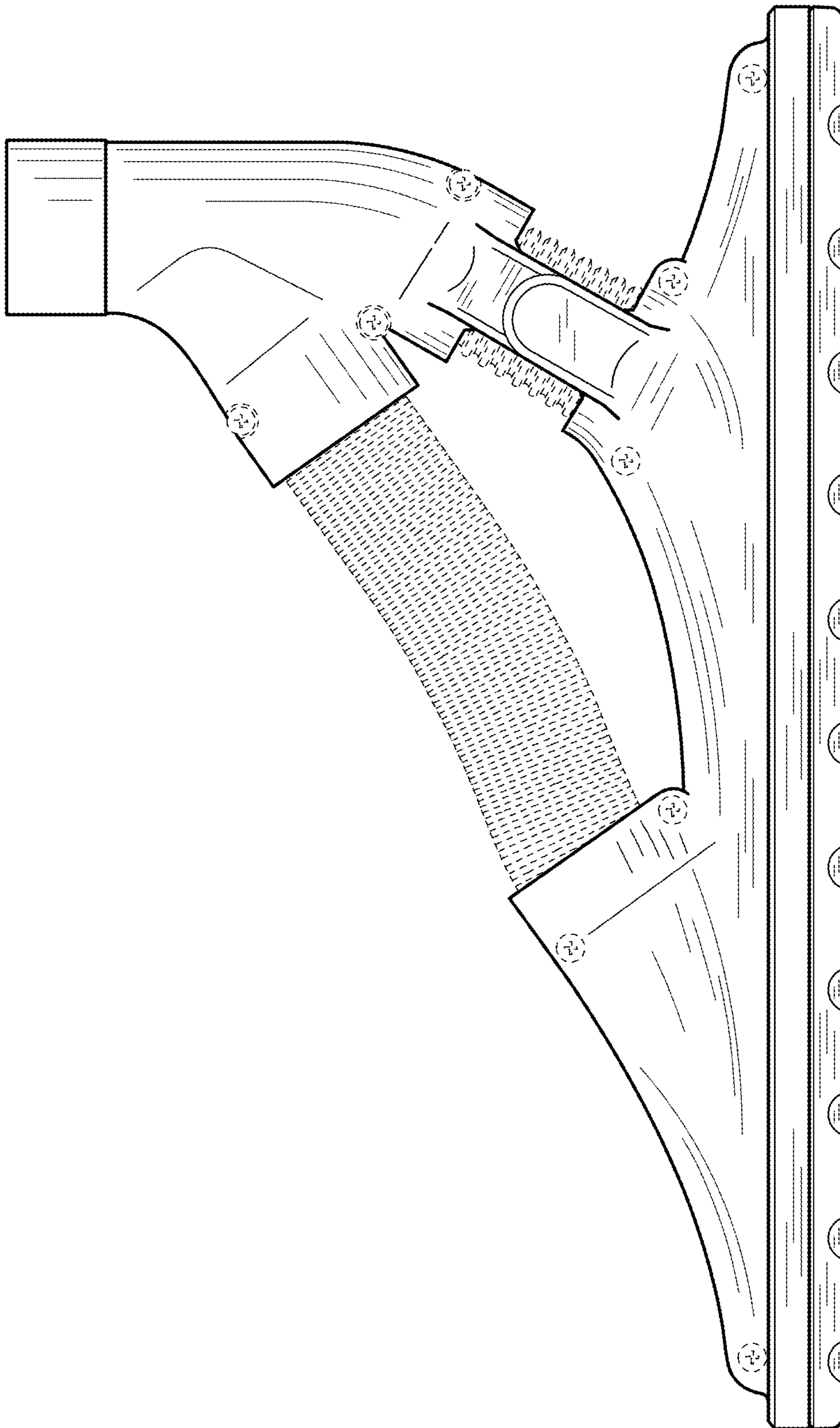


FIG. 10

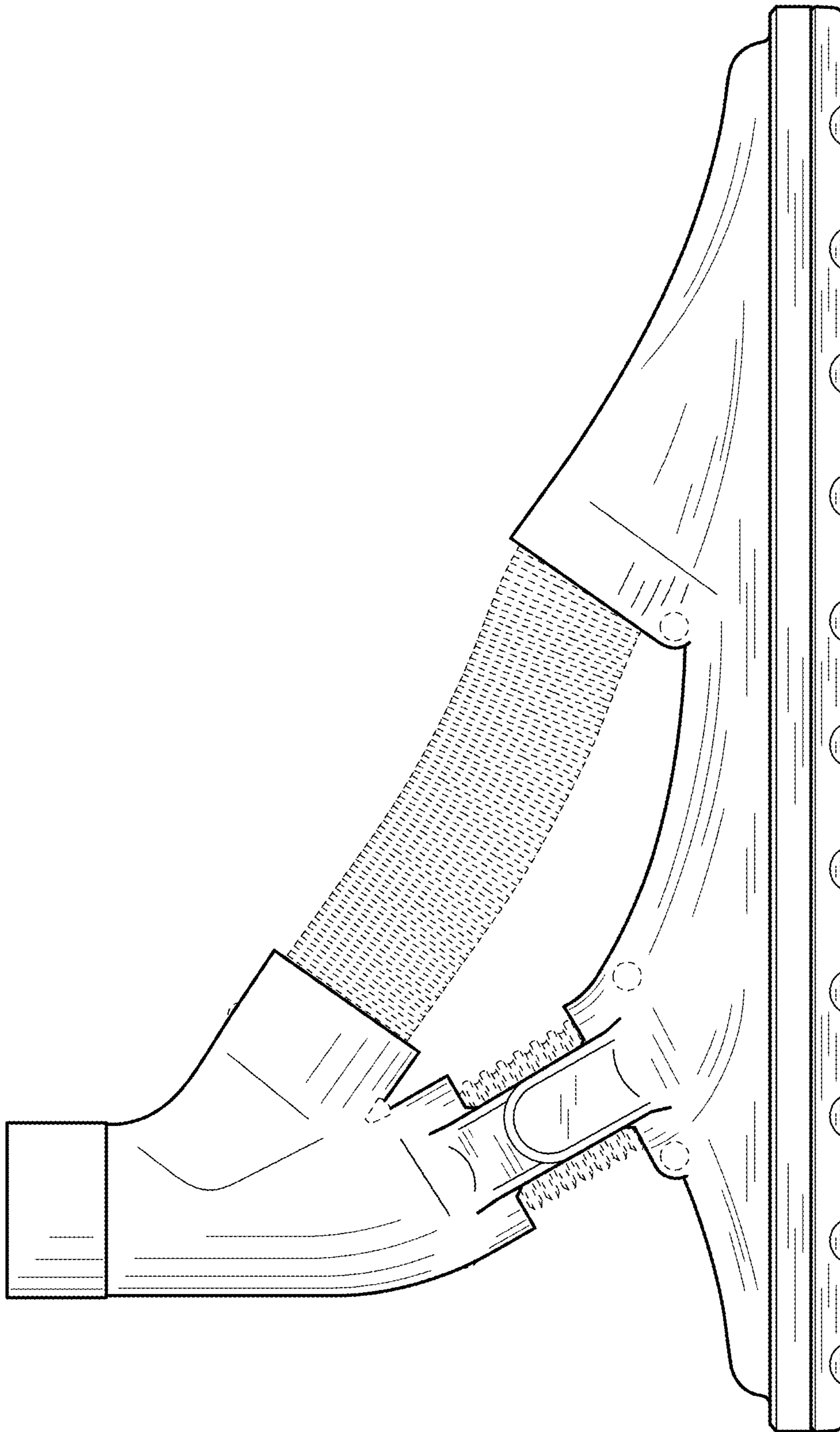


FIG. 11

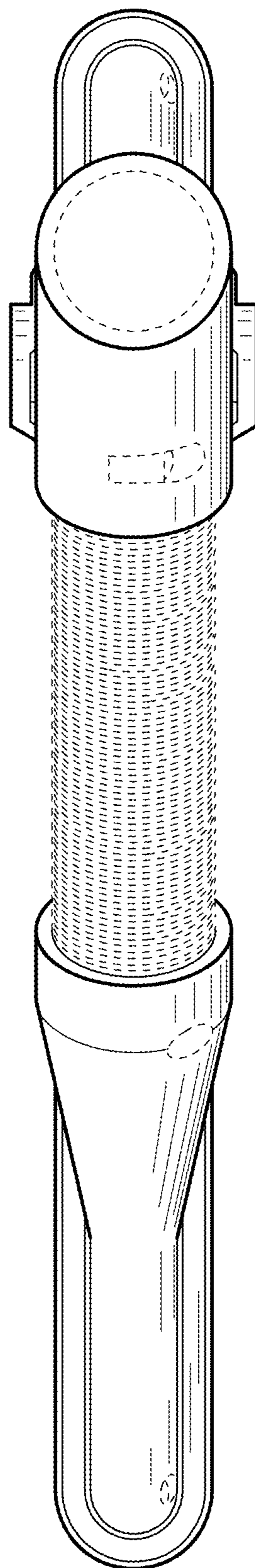


FIG. 12

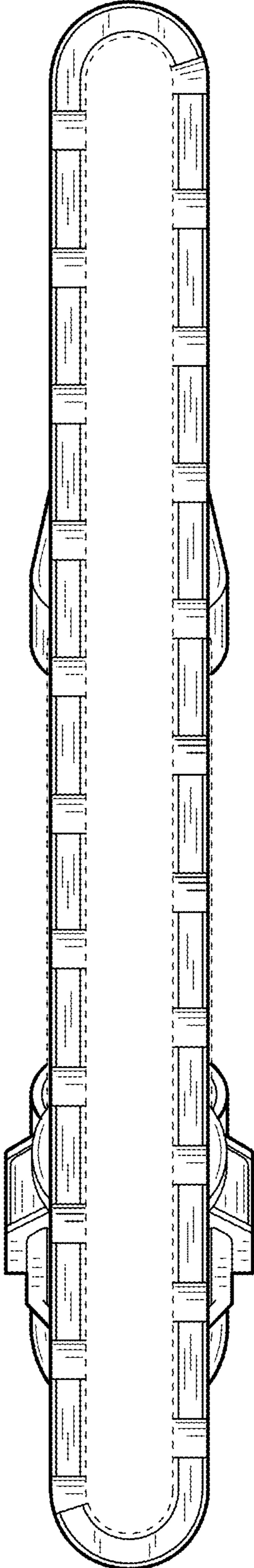


FIG. 13

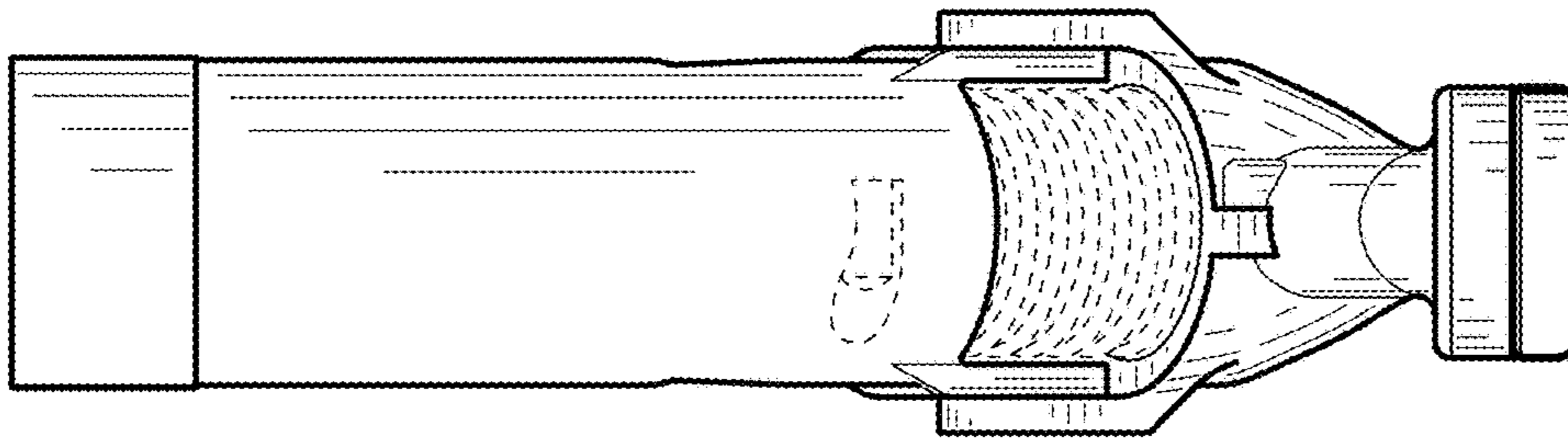


FIG. 15

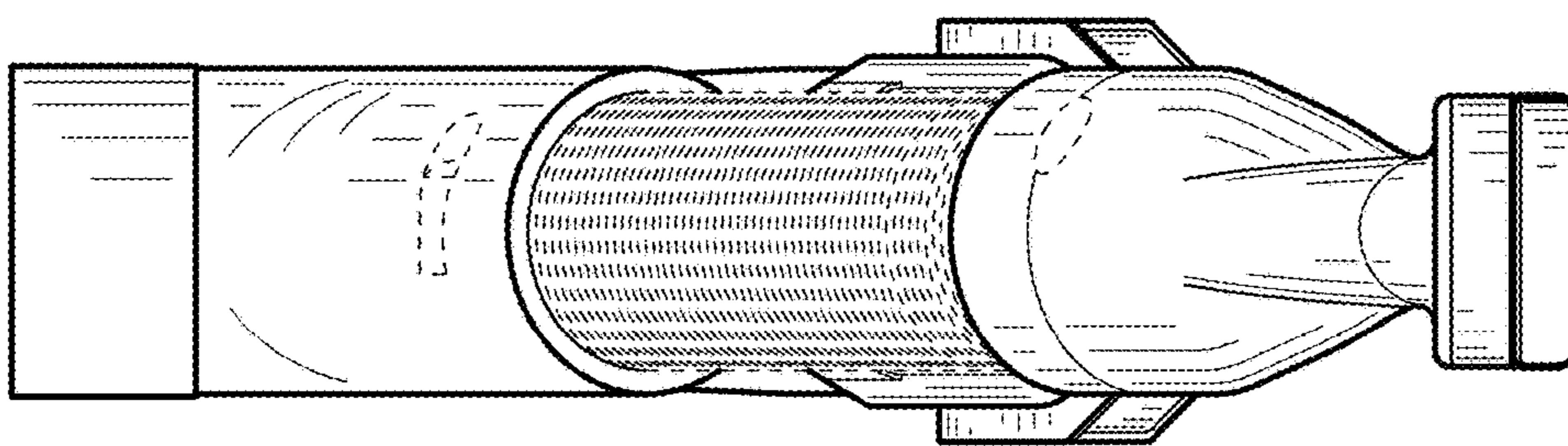


FIG. 14

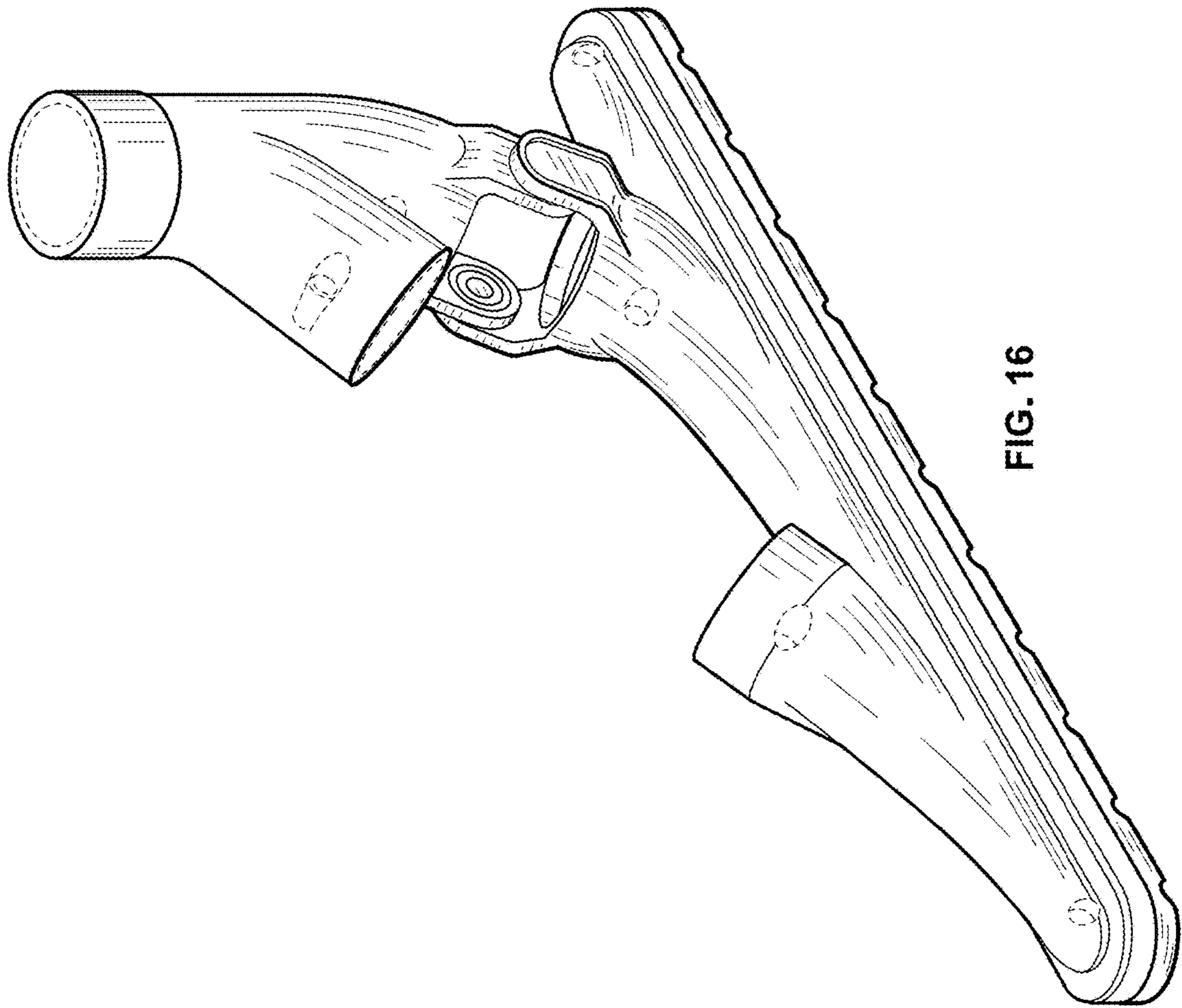


FIG. 16

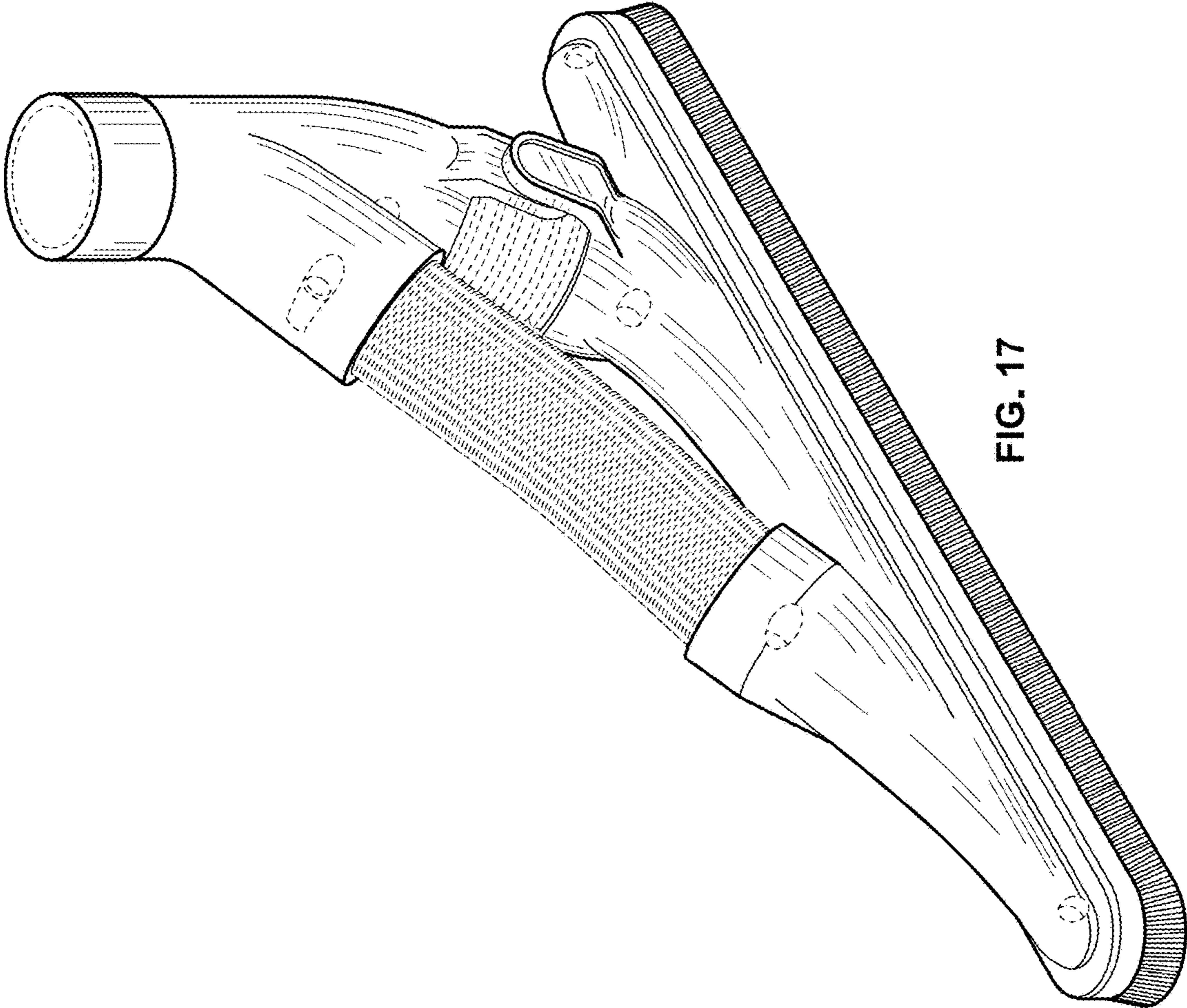


FIG. 17

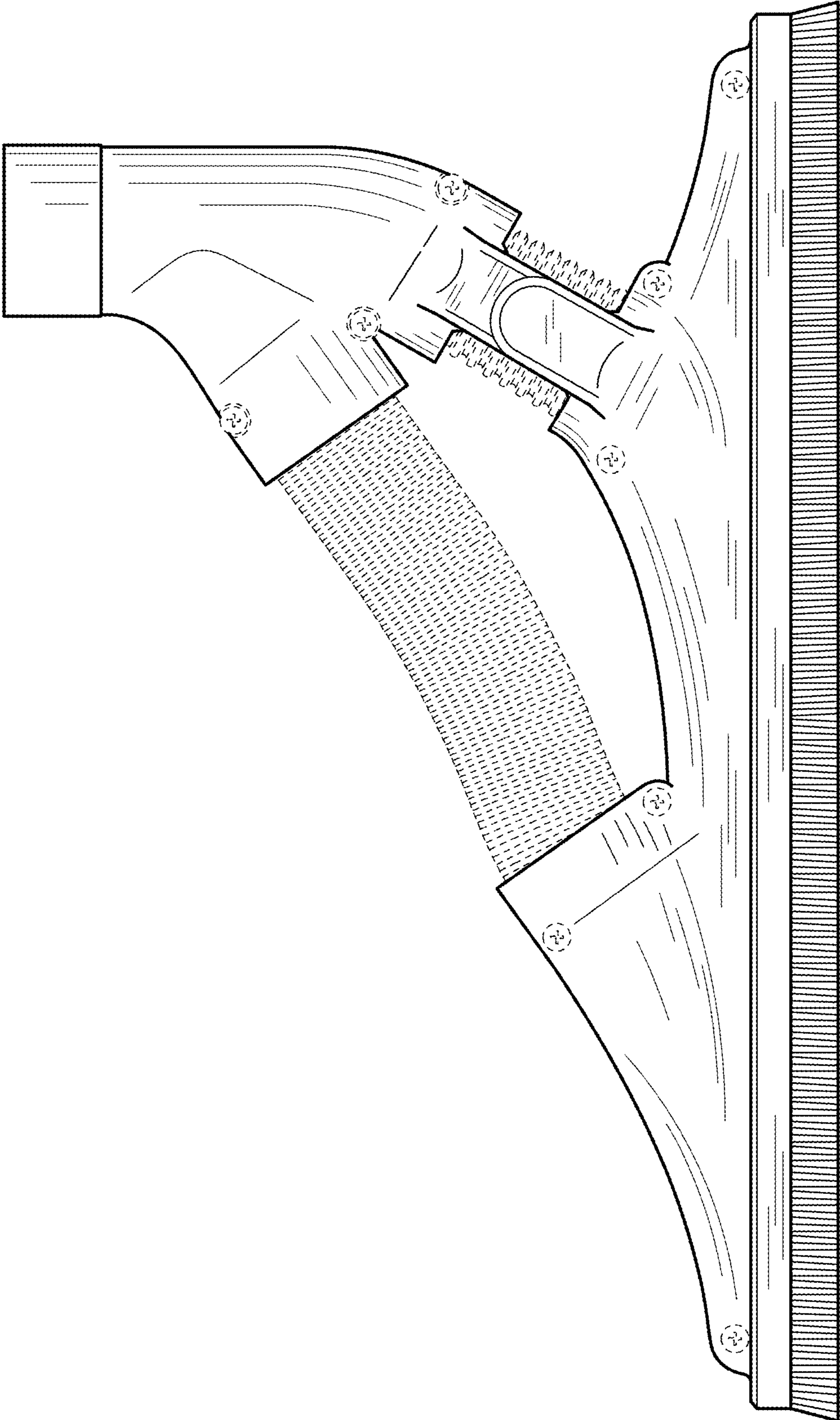


FIG. 18

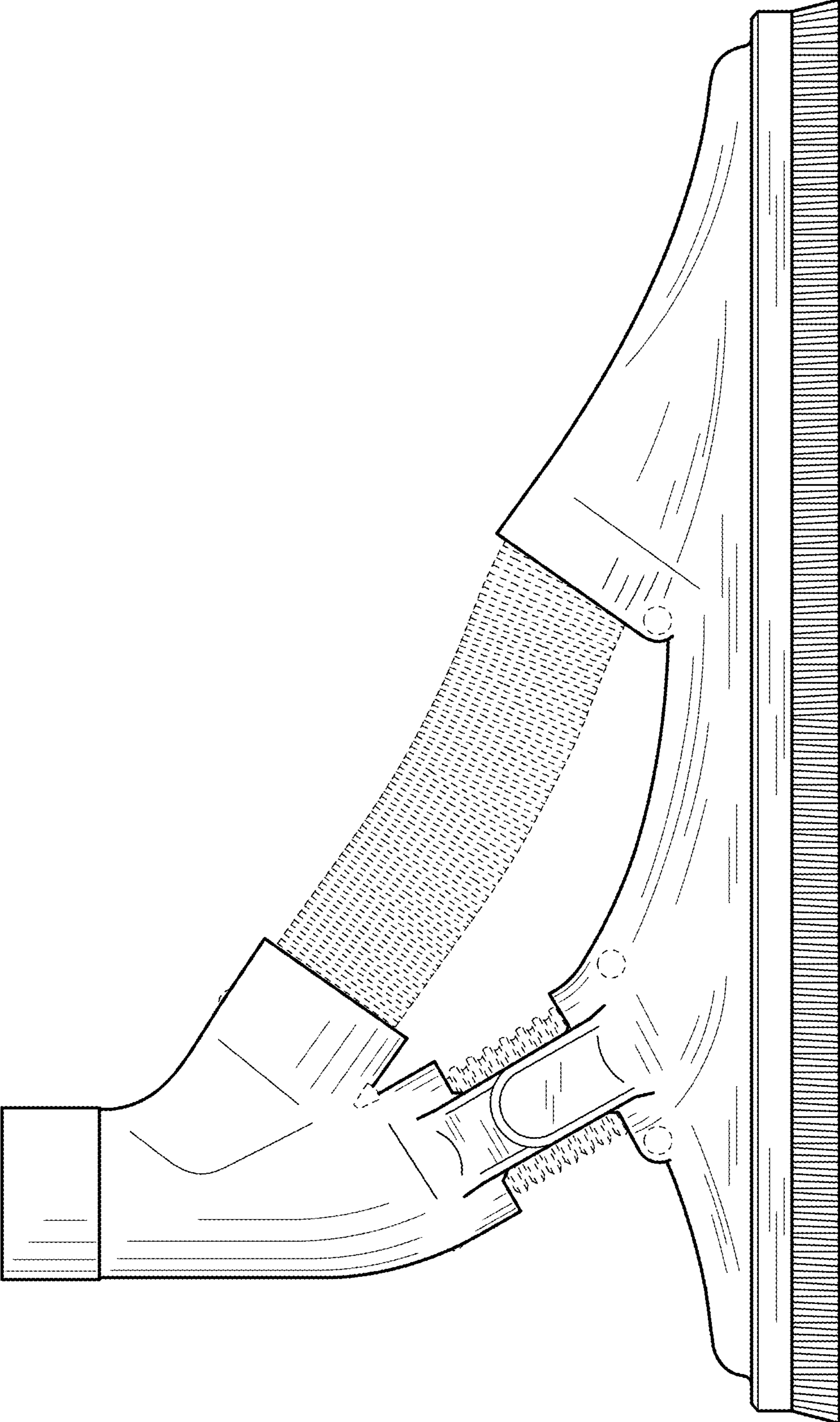


FIG. 19

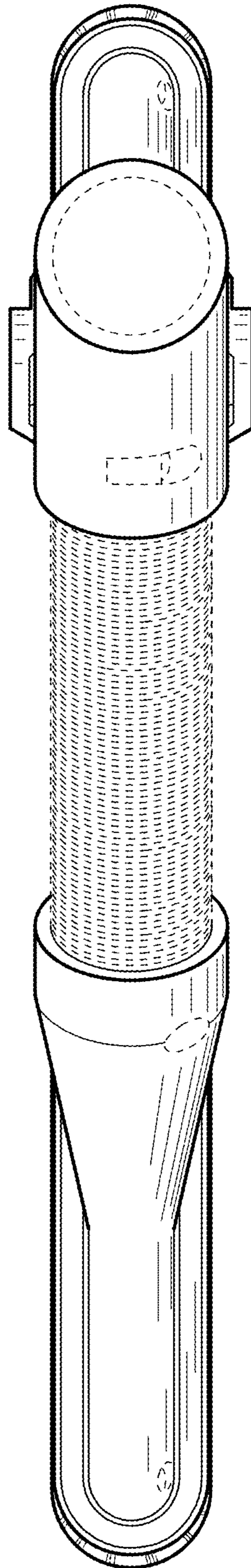


FIG. 20

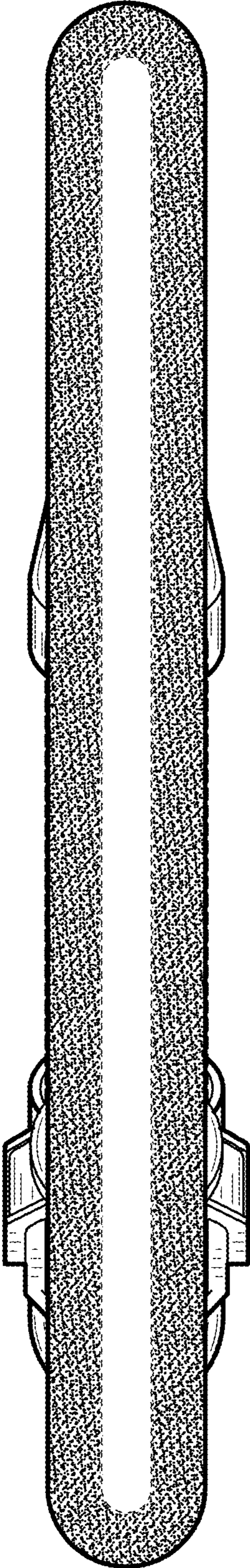


FIG. 21

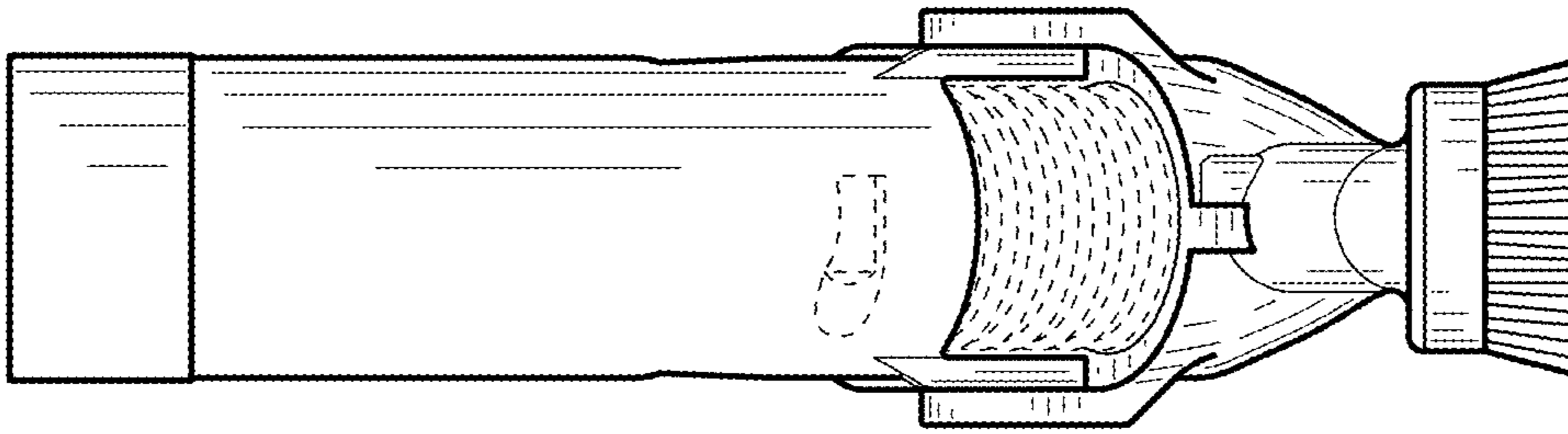


FIG. 22

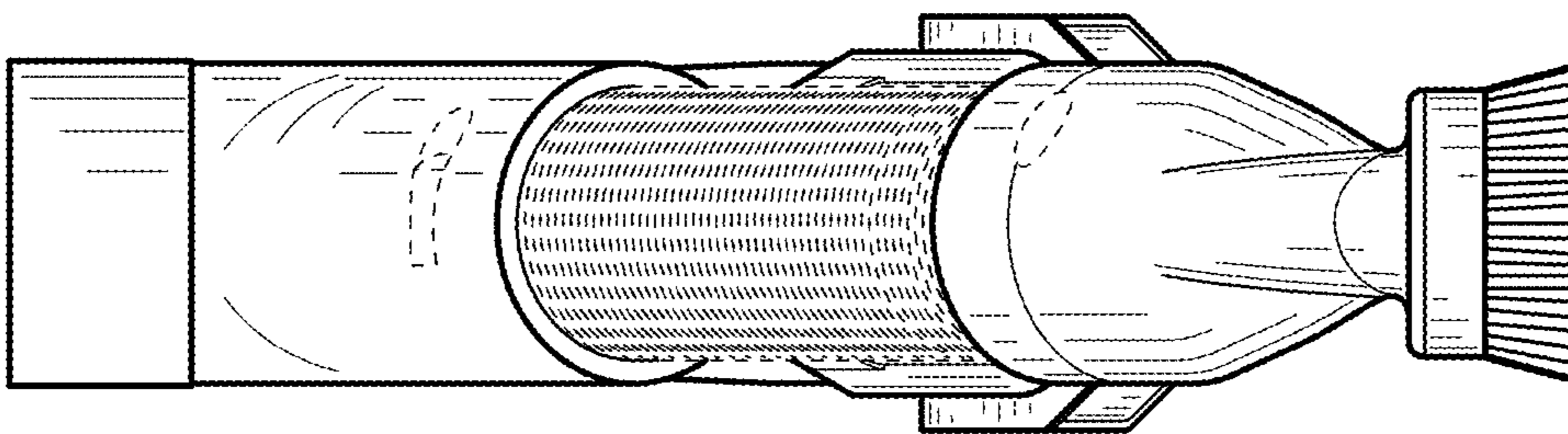


FIG. 23

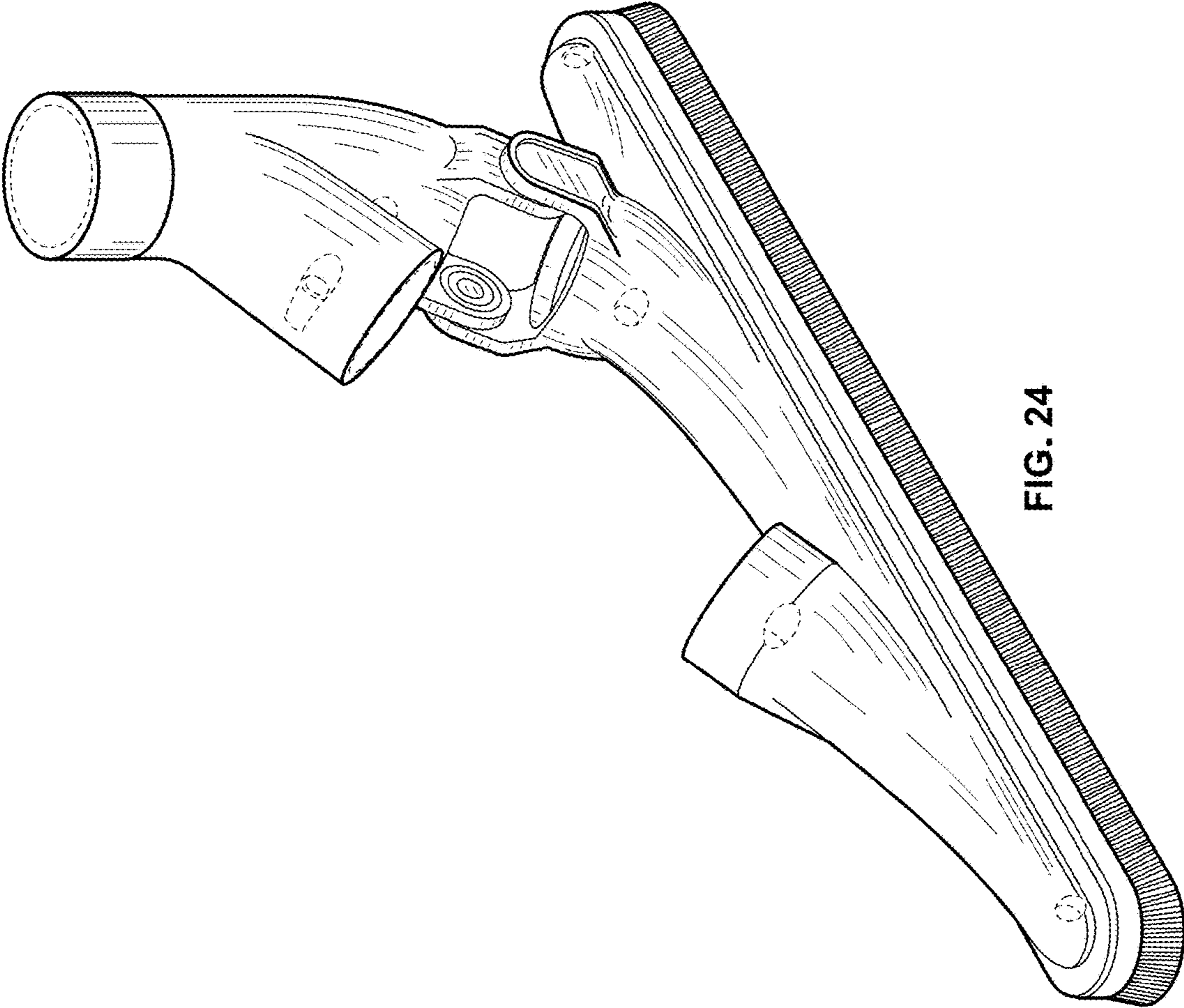


FIG. 24