



US00D812827S

(12) **United States Design Patent**
Yoon et al.

(10) **Patent No.:** **US D812,827 S**
(45) **Date of Patent:** **** Mar. 13, 2018**

(54) **VACUUM CLEANER**

(71) Applicant: **Samsung Electronics Co., Ltd.**,
Suwon-si (KR)

(72) Inventors: **Sanghun Yoon**, Seoul (KR);
Kyoungmin Lee, Goyang-si (KR);
Cheolyeon Jo, Seoul (KR); **Seokwoo Kim**, Seoul (KR)

(73) Assignee: **SAMSUNG ELECTRONICS CO., LTD.**, Suwon-si (KR)

(**) Term: **15 Years**

(21) Appl. No.: **29/548,272**

(22) Filed: **Dec. 11, 2015**

(30) **Foreign Application Priority Data**

Jun. 11, 2015 (KR) 30-2015-0029316

(51) **LOC (11) Cl.** **15-05**

(52) **U.S. Cl.**
USPC **D32/22**

(58) **Field of Classification Search**
USPC D32/17-18, 21-22, 31, 34
CPC A47L 5/24; A47L 5/28; A47L 5/34; A47L 5/362; A47L 5/36; A47L 11/34; A47L 9/325; A47L 9/20; A47L 9/02; A47L 9/32; A47L 9/322; A47L 9/327; A47L 7/0038

See application file for complete search history.

(56) **References Cited**

U.S. PATENT DOCUMENTS

D592,818 S * 5/2009 Sun D32/22
D615,717 S * 5/2010 Butts D32/22

D643,980 S * 8/2011 Kim D32/22
D664,314 S * 7/2012 Li D32/17
D672,516 S * 12/2012 Ediger D32/17
D680,286 S * 4/2013 Gray D32/22
D728,176 S * 4/2015 Yu D32/22
D743,124 S * 11/2015 Gray D32/22

FOREIGN PATENT DOCUMENTS

CN 303033078 S 12/2014
EM 002264424-0007 7/2013
KR 300624204 12/2011

* cited by examiner

Primary Examiner — Ruth McInroy

(74) *Attorney, Agent, or Firm* — McAndrews Held & Malloy, Ltd.

(57) **CLAIM**

The ornamental design for a vacuum cleaner, as shown and described.

DESCRIPTION

FIG. 1 is a front perspective view of a vacuum cleaner showing our new design;
FIG. 2 is a front elevation view thereof;
FIG. 3 is a rear elevation view thereof;
FIG. 4 is a left-side elevation view thereof;
FIG. 5 is a right-side elevation view thereof;
FIG. 6 is a top plan view thereof;
FIG. 7 is a bottom plan view thereof;
FIG. 8 is a rear perspective view thereof; and,
FIG. 9 is an enlarged view of the encircled region in FIG. 8. The details shown in dashed broken lines in the drawings form no part of the claimed design. The dot-dot-dash broken lines in the drawings encircle portions of the claimed design that are illustrated in enlargements and form no part of the claimed design.

1 Claim, 9 Drawing Sheets

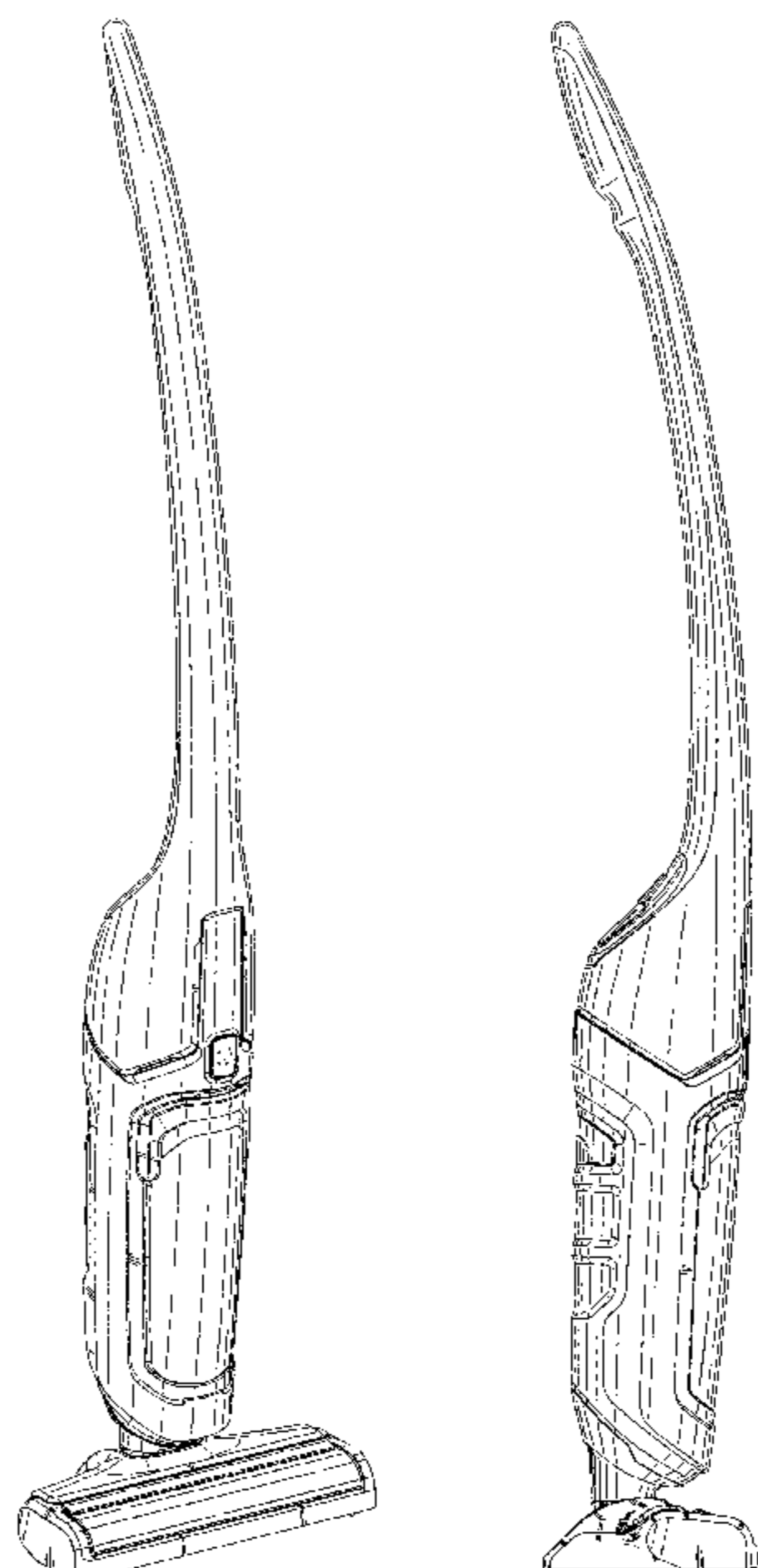


FIG. 1

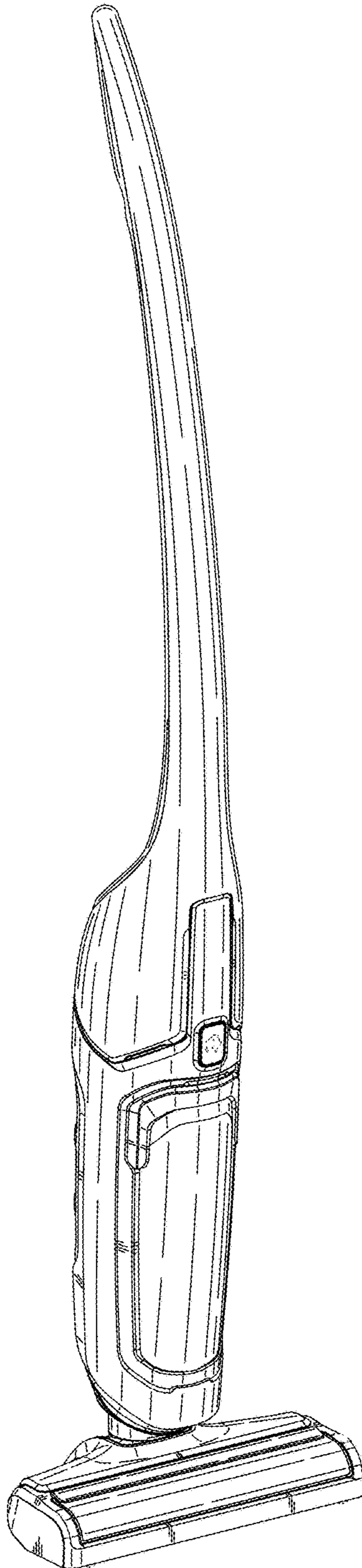


FIG. 2

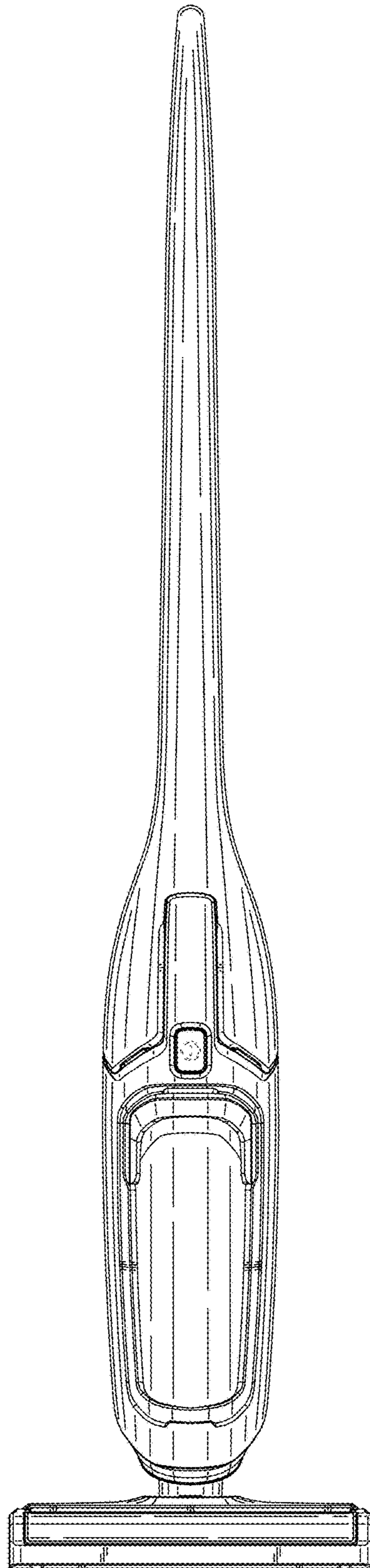


FIG. 3

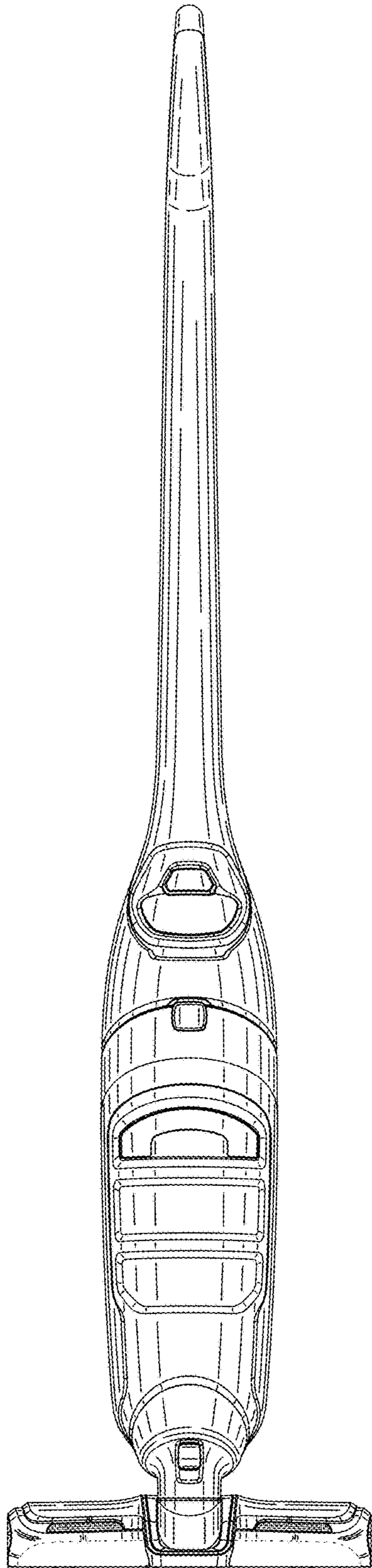


FIG. 4

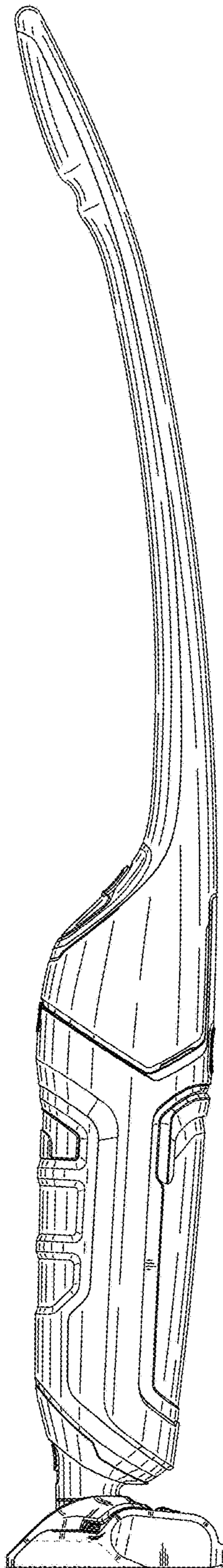


FIG. 5

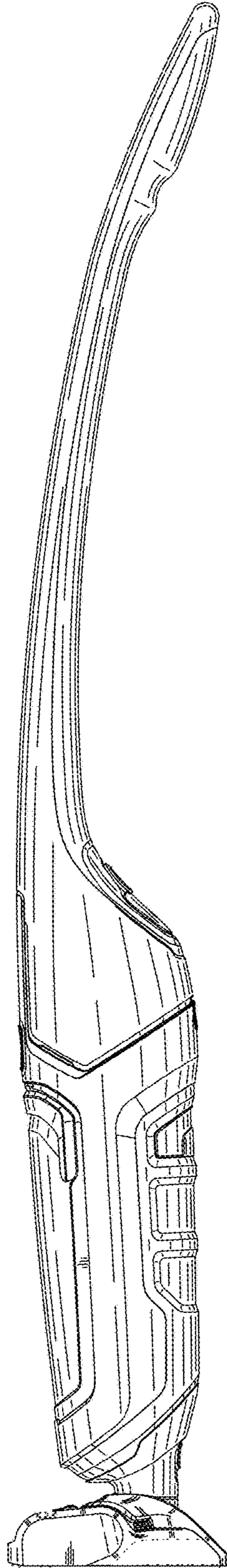


FIG. 6

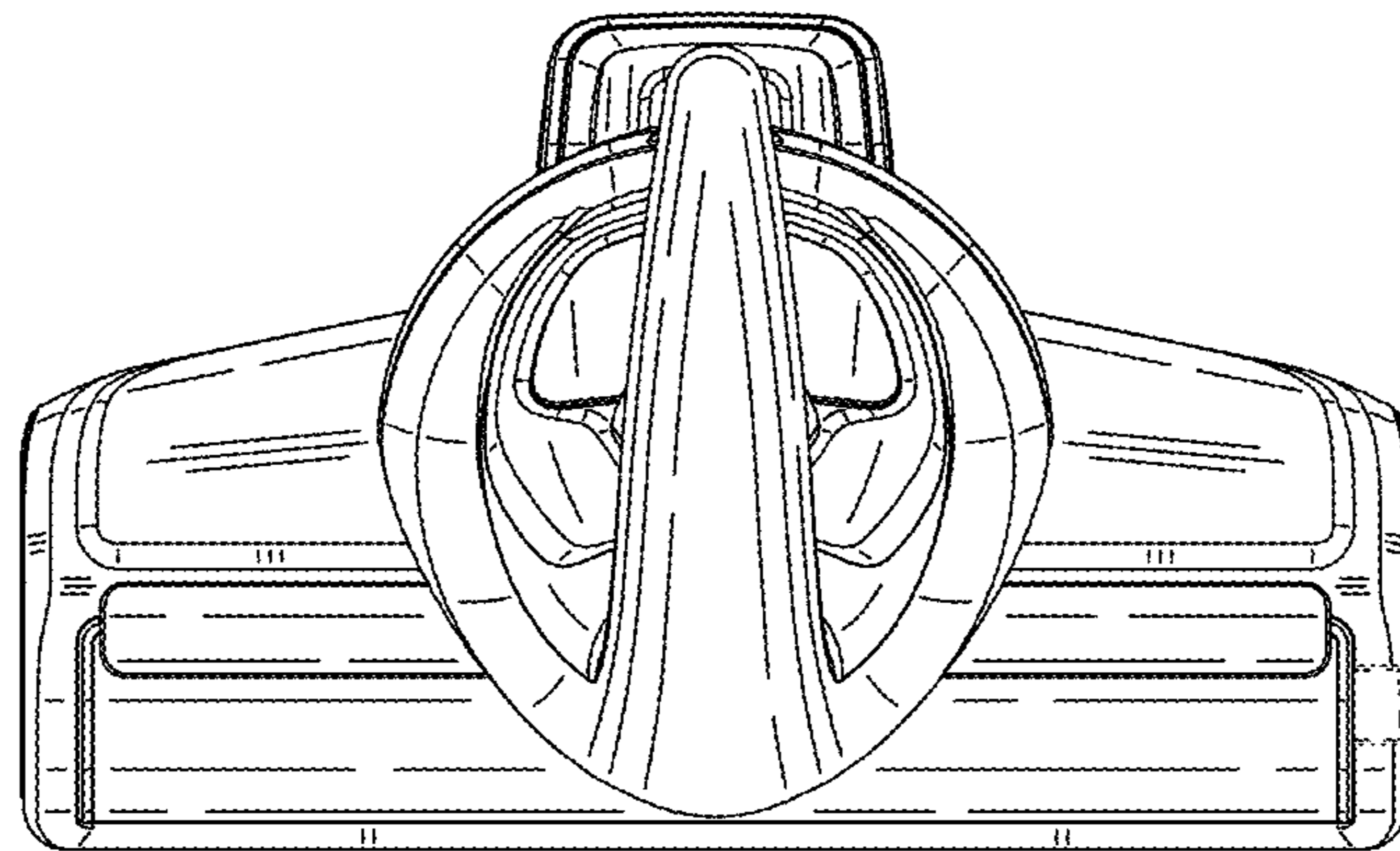


FIG. 7

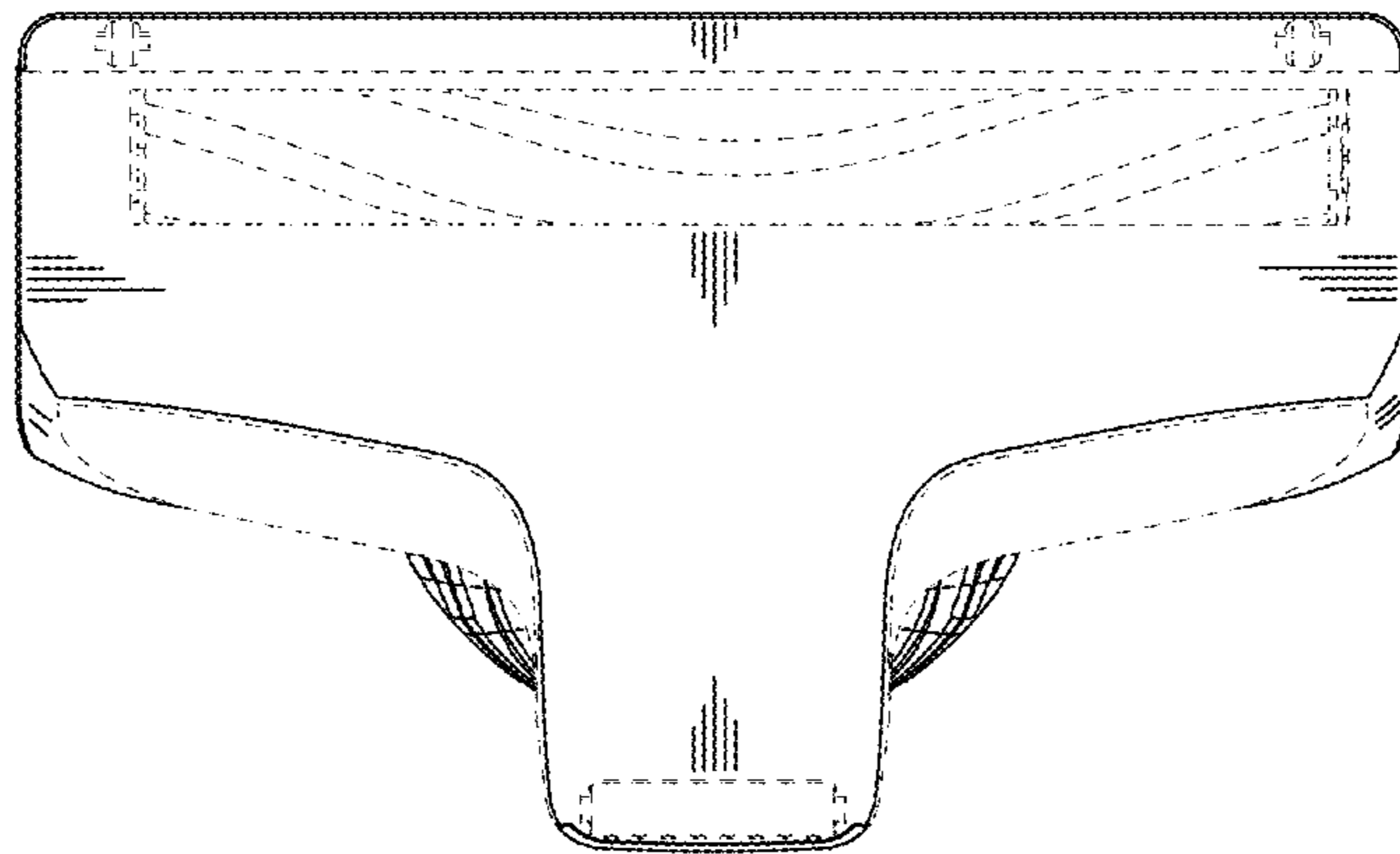


FIG. 8

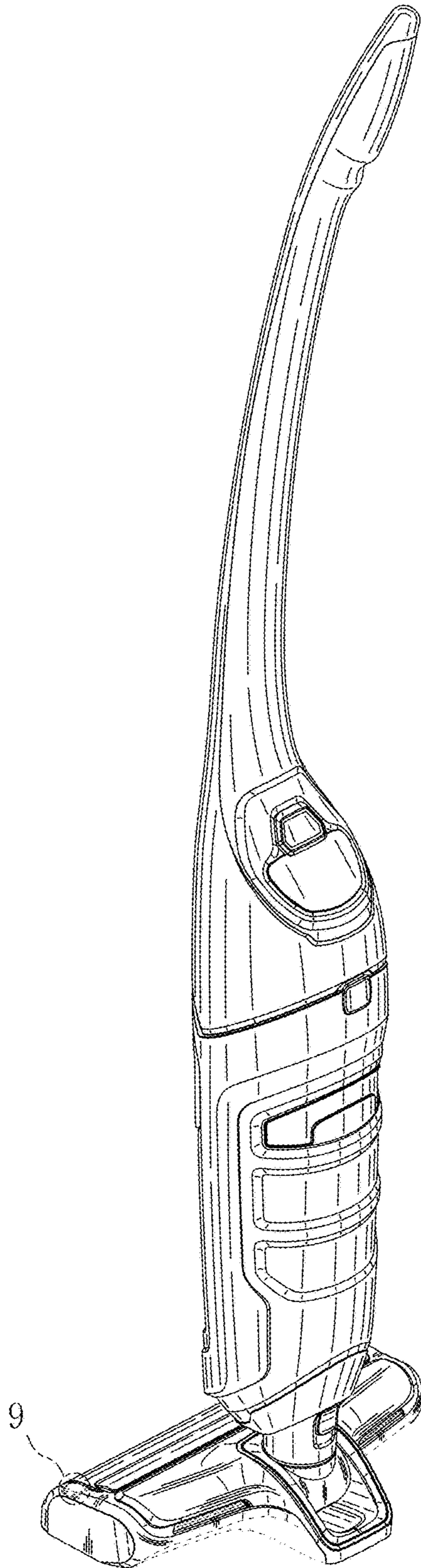


FIG. 9

