



US00D812826S

(12) **United States Design Patent**
Williams et al.

(10) **Patent No.:** **US D812,826 S**
(45) **Date of Patent:** **** Mar. 13, 2018**

(54) **VACUUM CLEANER**

(71) Applicant: **Emerson Electric Co.**, St. Louis, MO (US)

(72) Inventors: **Matthew A. Williams**, Bridgeton, MO (US); **Alex J. Wall**, St. Louis, MO (US); **Jaime Swindall**, St. Louis, MO (US); **Lisa Stuart**, Auburn, AL (US)

(73) Assignee: **Emerson Electric Co.**, St. Louis, MO (US)

(**) Term: **15 Years**

(21) Appl. No.: **29/576,861**

(22) Filed: **Sep. 7, 2016**

(51) **LOC (11) Cl.** **15-05**

(52) **U.S. Cl.**
USPC **D32/21**

(58) **Field of Classification Search**
USPC D32/17, 21-24, 31, 18
CPC D06F 87/00; D06F 75/06; D06F 73/00;
F22B 1/284; F24F 6/025; B44C 7/027;
A47L 11/34; A47L 9/2842; A47L 5/362;
A47L 5/365; A47L 7/0038; A47L 5/24;
A04H 4/1636; A04H 4/1654; A04H
4/169; E04H 4/1272; B01D 35/26
See application file for complete search history.

(56) **References Cited**

U.S. PATENT DOCUMENTS

D252,249 S	7/1979	Cooper	
D280,034 S	8/1985	Pudwill	
D316,766 S *	5/1991	Chi Ho	D32/21
D462,488 S *	9/2002	Santiago	D32/18
D496,764 S *	9/2004	Lopano	D32/21
7,073,226 B1	7/2006	Lenkiewicz et al.	
D536,147 S	1/2007	Medema et al.	
D537,216 S	2/2007	Davis et al.	

D537,579 S	2/2007	Zimmerle et al.	
D537,581 S	2/2007	Zimmerle et al.	
7,228,589 B2	6/2007	Miner et al.	
D555,848 S	11/2007	DiPasquale et al.	
D558,410 S *	12/2007	Hill	D32/21
D564,154 S	3/2008	Hollis et al.	
D568,007 S	4/2008	Li	
D568,558 S	5/2008	Li	
D568,559 S	5/2008	Li	
D568,560 S	5/2008	Li	
D577,164 S	9/2008	Williams et al.	
D581,609 S *	11/2008	Conrad	D32/21
7,526,833 B2	5/2009	Cochran et al.	

(Continued)

Primary Examiner — Ruth McInroy

(74) *Attorney, Agent, or Firm* — Armstrong Teasdale LLP

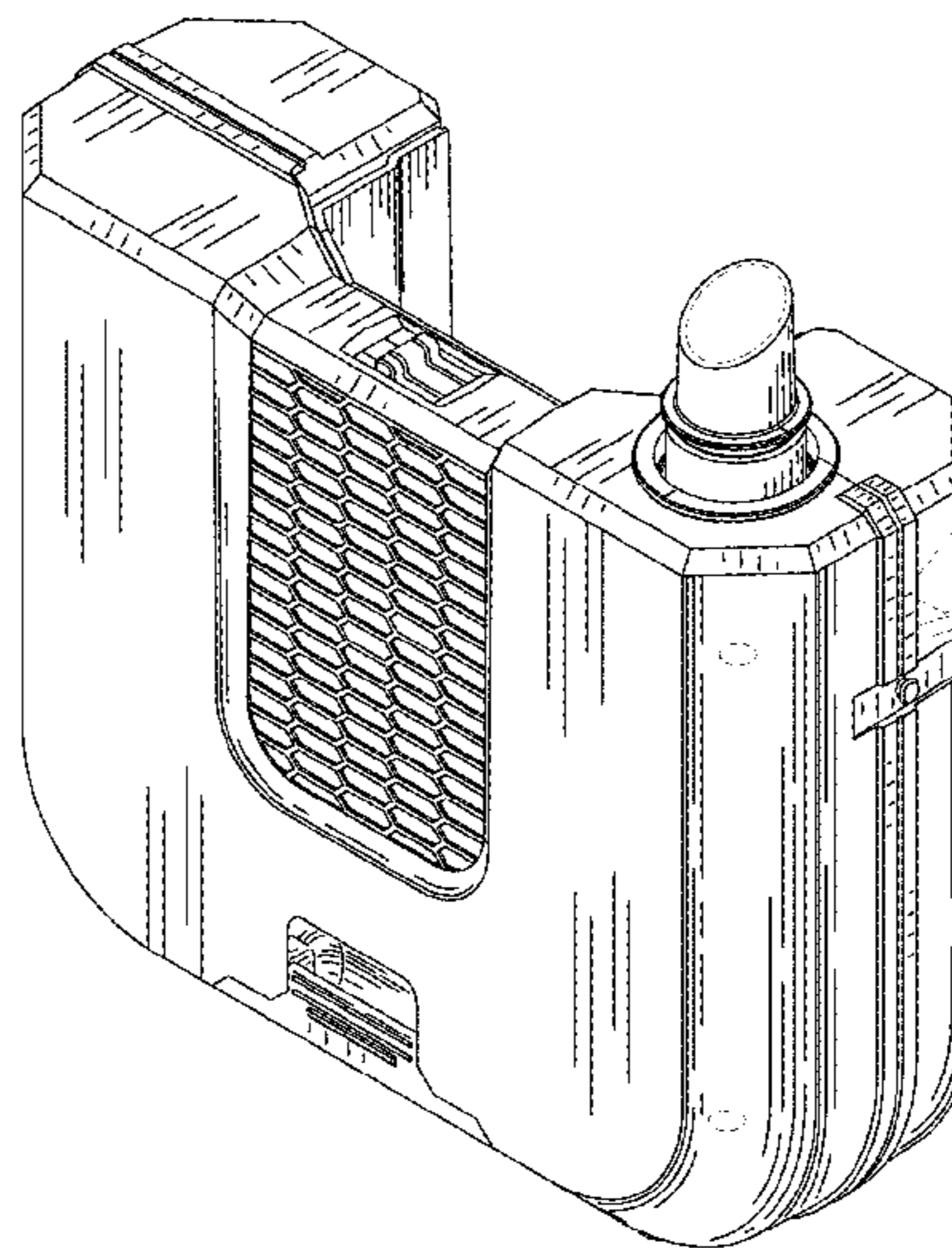
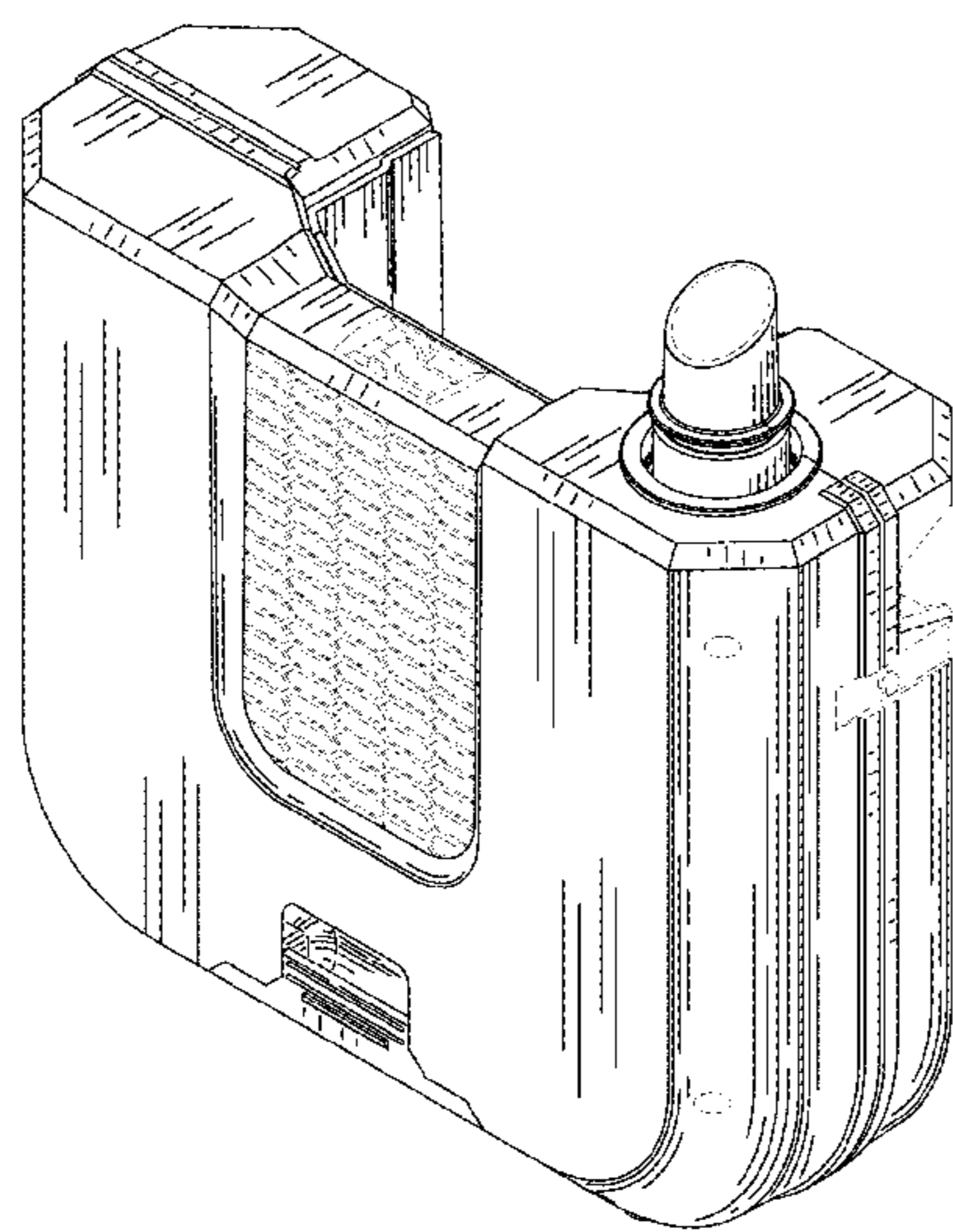
(57) **CLAIM**

We claim the ornamental design for a vacuum cleaner, as shown and described.

DESCRIPTION

FIG. 1 is a front perspective view of a vacuum cleaner showing our new design;
 FIG. 2 is a front view thereof;
 FIG. 3 is a rear view thereof;
 FIG. 4 is a right side view thereof;
 FIG. 5 is a left side view thereof;
 FIG. 6 is a top view thereof;
 FIG. 7 is a bottom view thereof;
 FIG. 8 is a front perspective view of a second embodiment thereof;
 FIG. 9 is a front view of FIG. 8;
 FIG. 10 is a rear view of FIG. 8;
 FIG. 11 is a right side view of FIG. 8;
 FIG. 12 is a left side view of FIG. 8;
 FIG. 13 is a top view of FIG. 8; and,
 FIG. 14 is a bottom view of FIG. 8.
 The details shown in broken lines form no part of the claimed design.

1 Claim, 14 Drawing Sheets



(56)

References Cited

U.S. PATENT DOCUMENTS

D595,910 S 7/2009 Hollis et al.
D600,416 S 9/2009 Shin et al.
D621,853 S 8/2010 Sundheim et al.
D640,022 S * 6/2011 Paterson D32/21
D644,726 S * 9/2011 Hideharu D23/370
D647,261 S * 10/2011 Schultz D32/21
D659,309 S 5/2012 Benacquisto et al.
D664,725 S * 7/2012 Ediger D32/17
D670,045 S * 10/2012 Crevling, Jr. D32/21
D672,102 S * 12/2012 Schouten D32/18
D675,796 S * 2/2013 Benacquisto D32/21
8,470,083 B2 6/2013 McClearen et al.
9,084,524 B2 7/2015 Conrad
9,282,858 B2 * 3/2016 Lee A47L 5/225
9,359,732 B2 6/2016 Reynolds

* cited by examiner

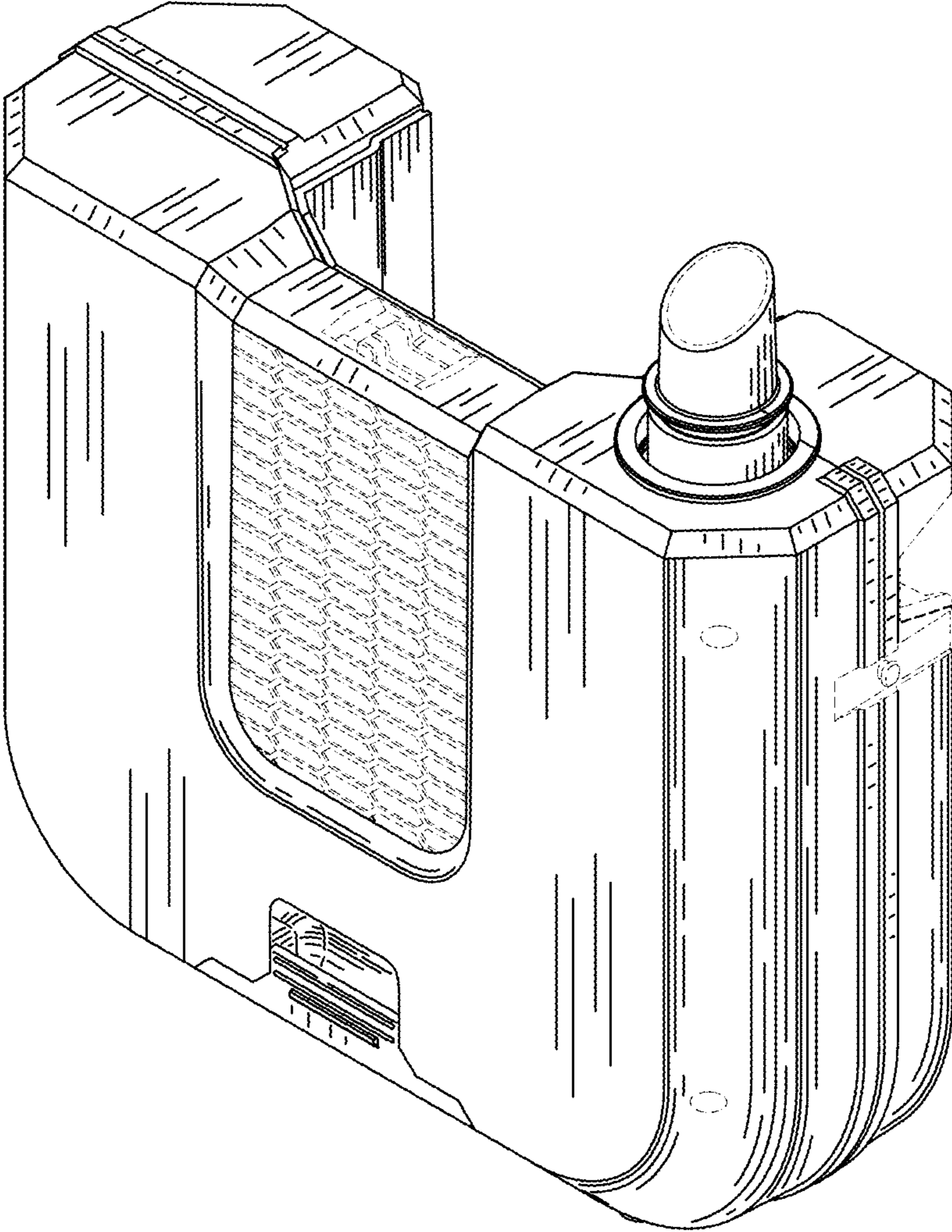


FIG. 1

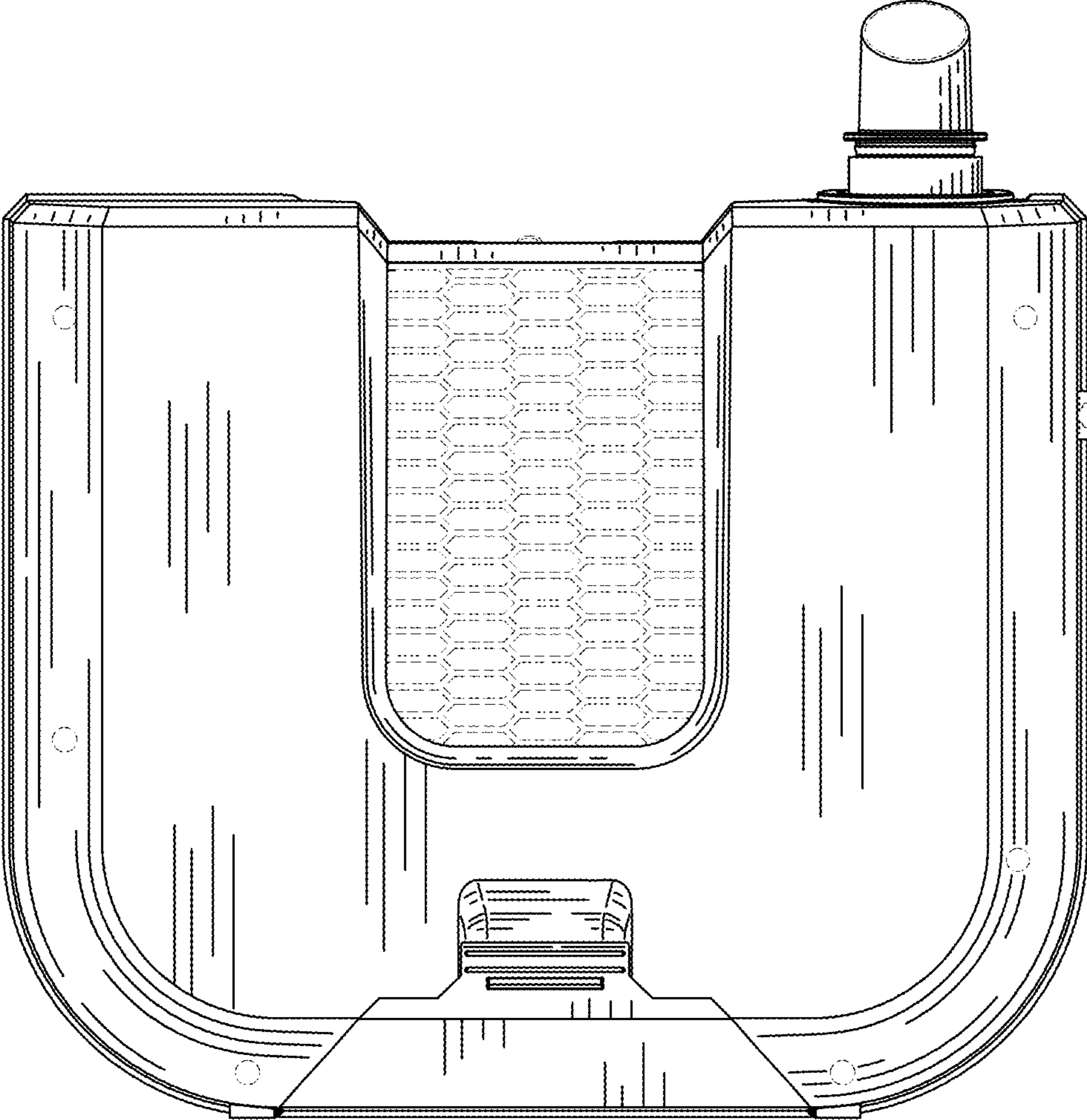


FIG. 2

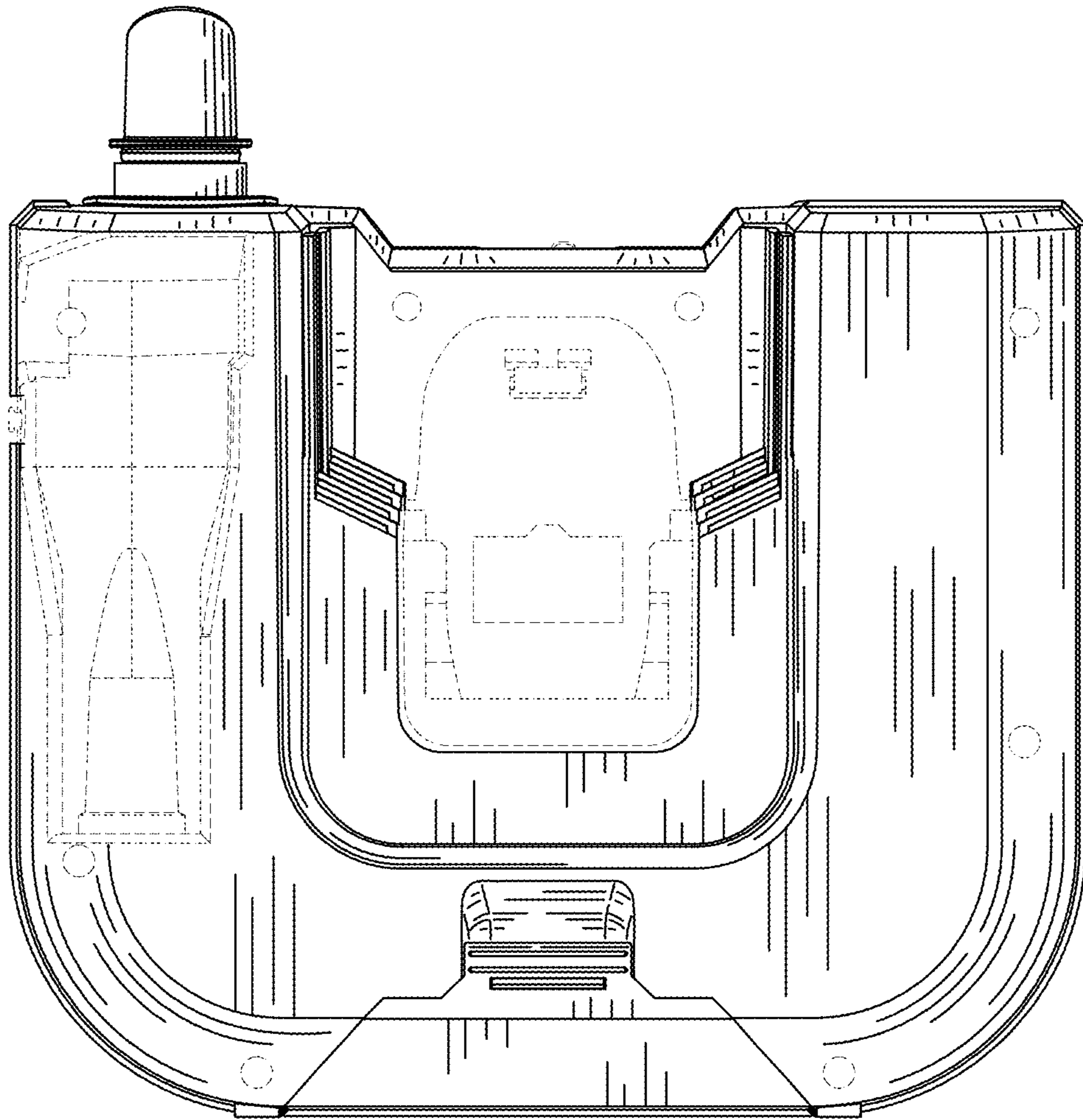


FIG. 3

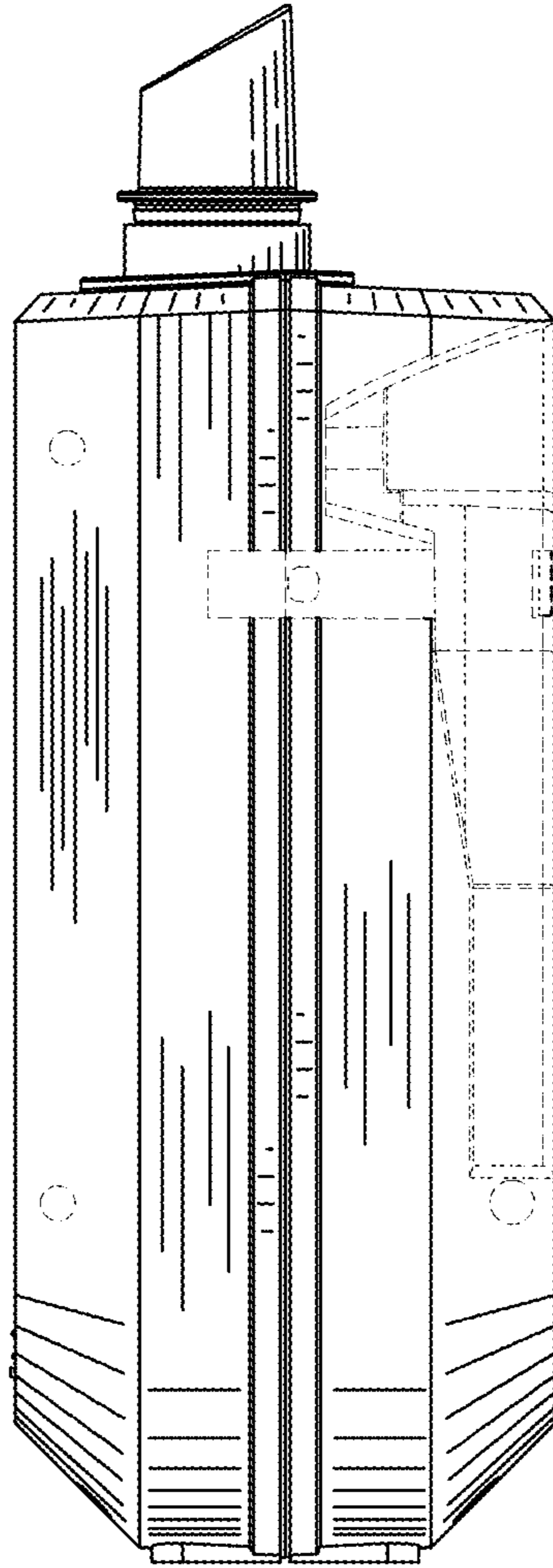


FIG. 4

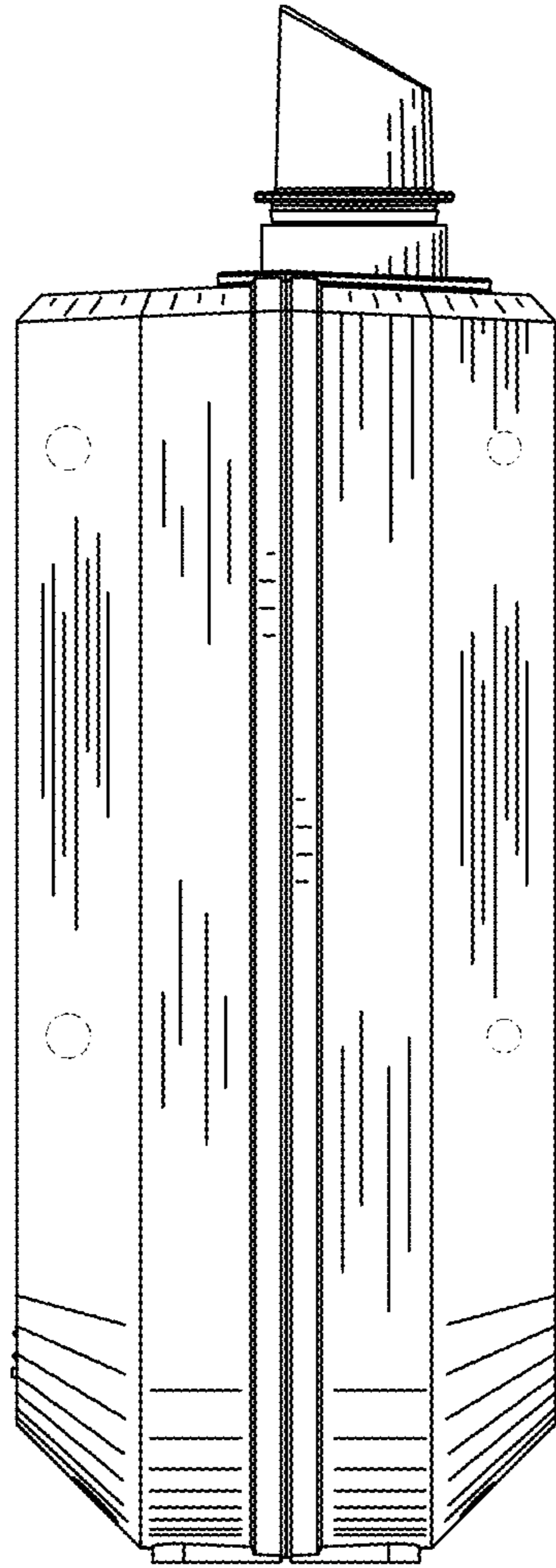


FIG. 5

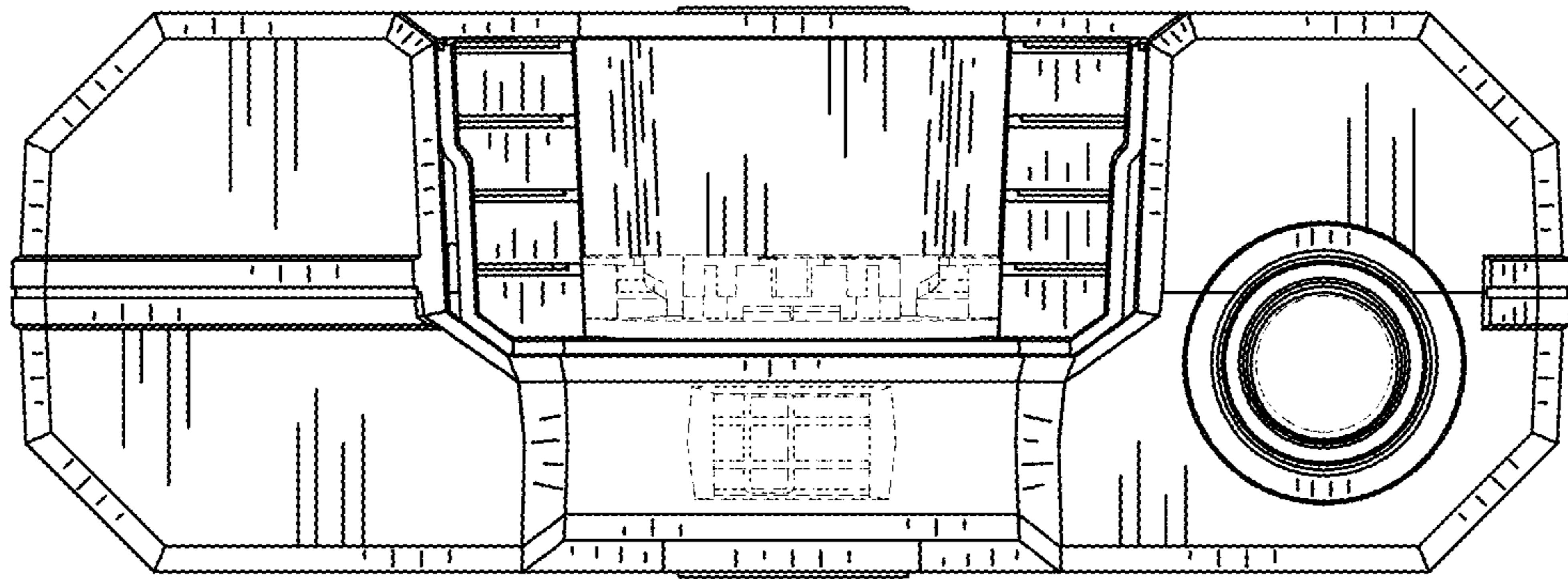


FIG. 6

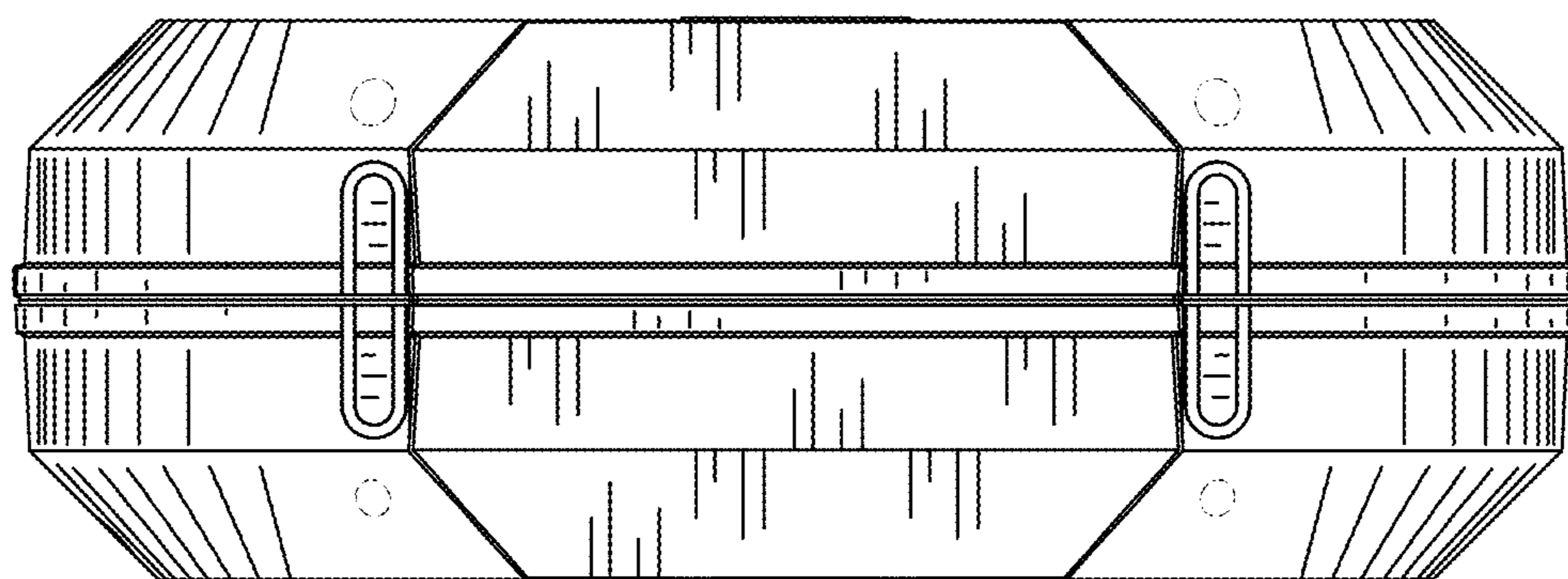


FIG. 7

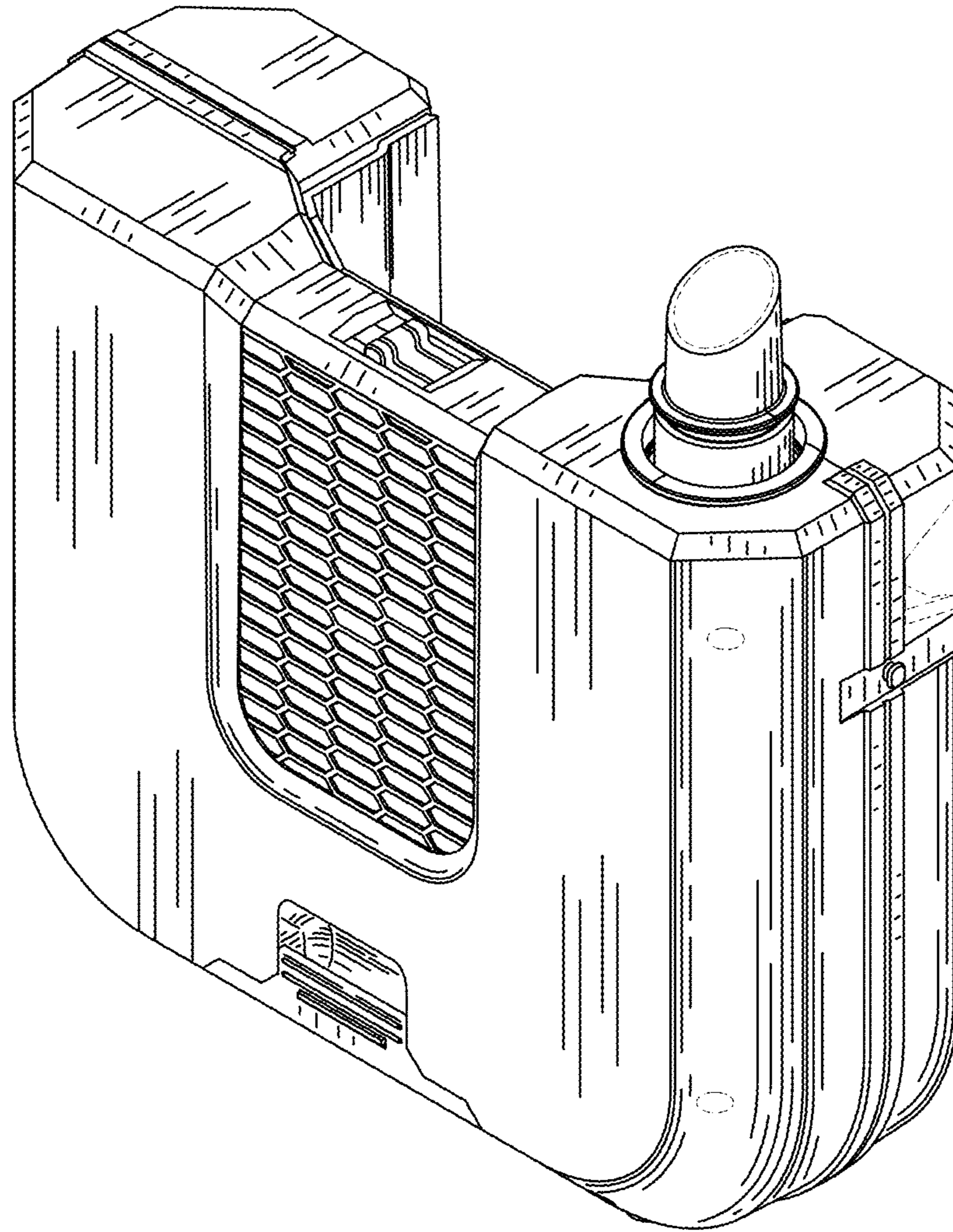


FIG. 8

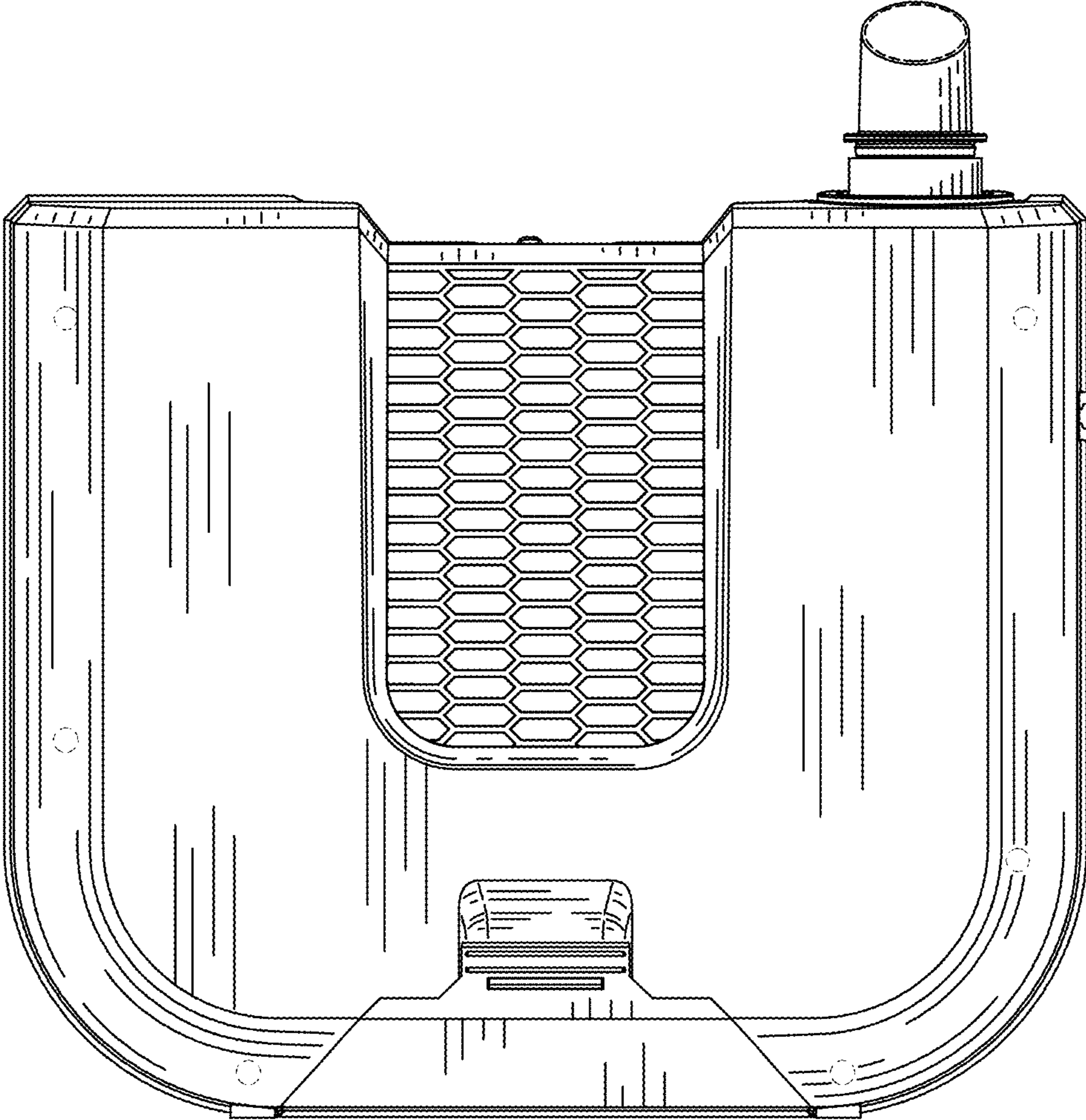


FIG. 9

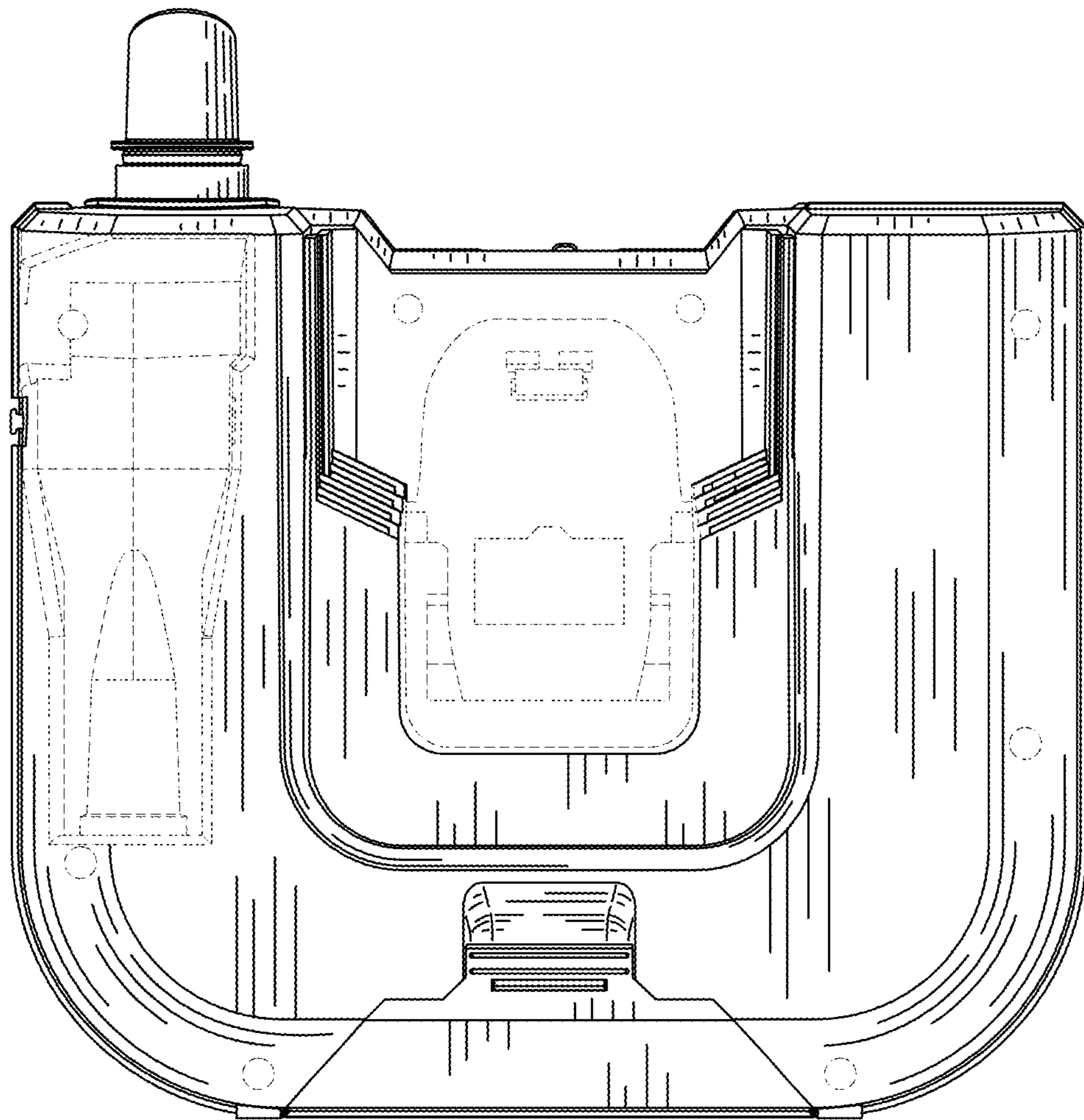


FIG. 10

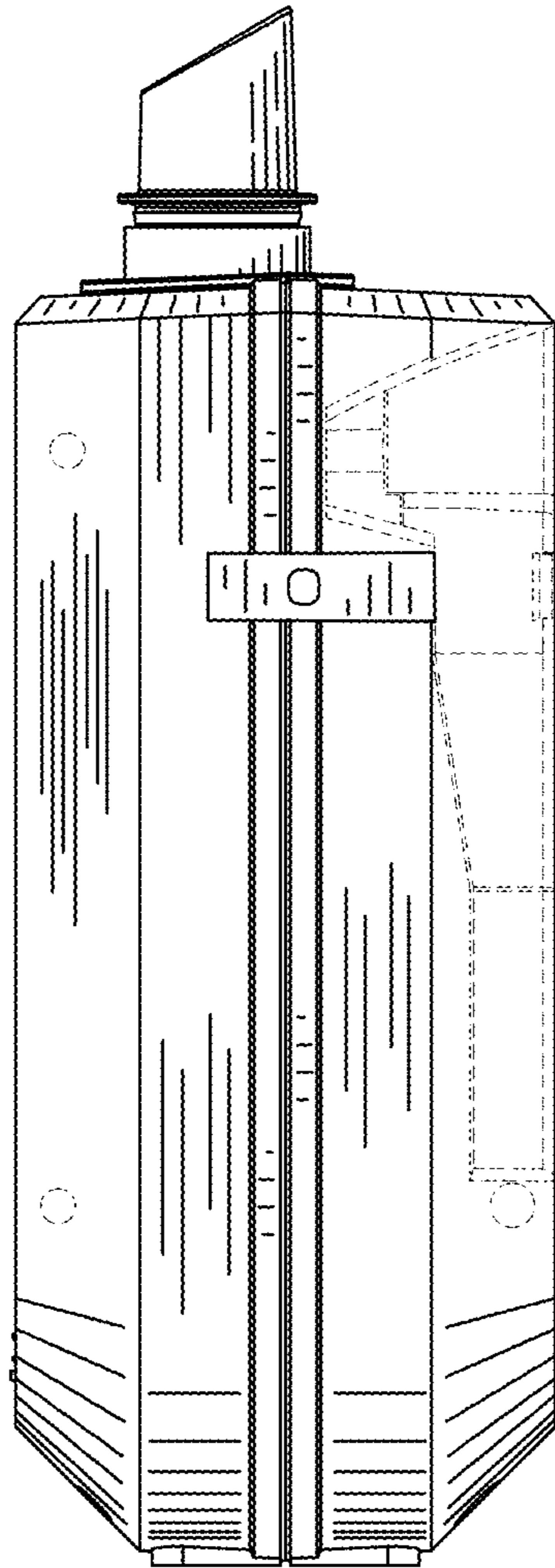


FIG. 11

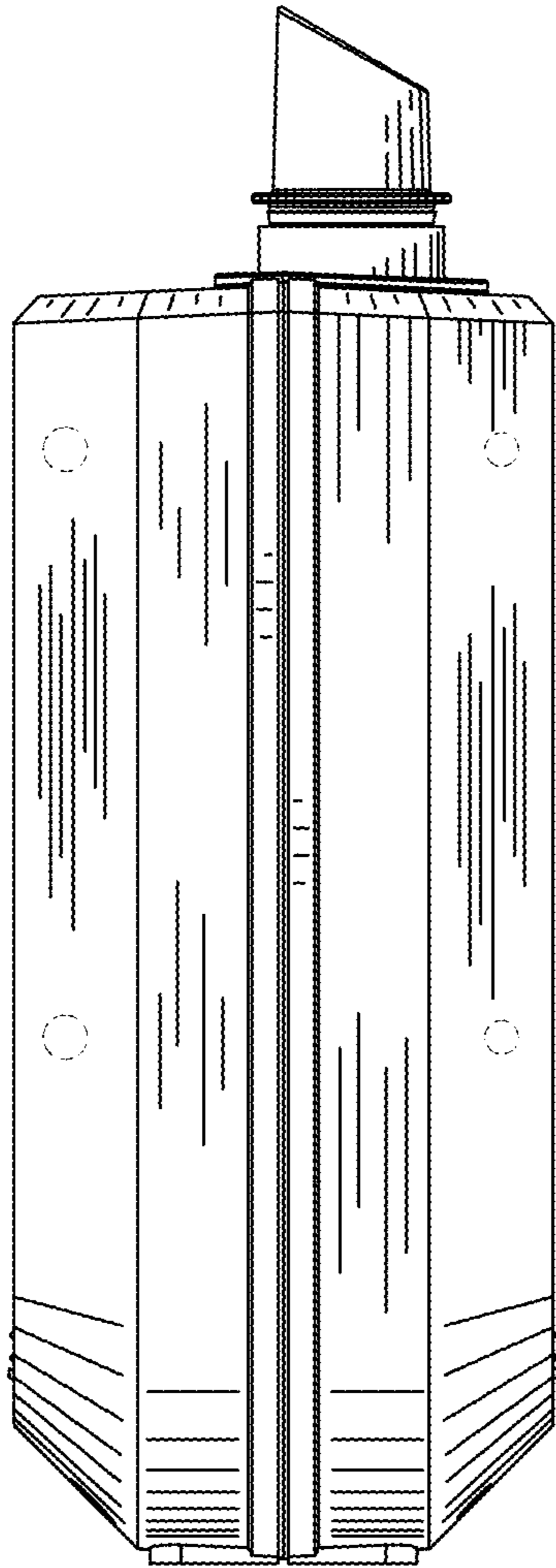


FIG. 12

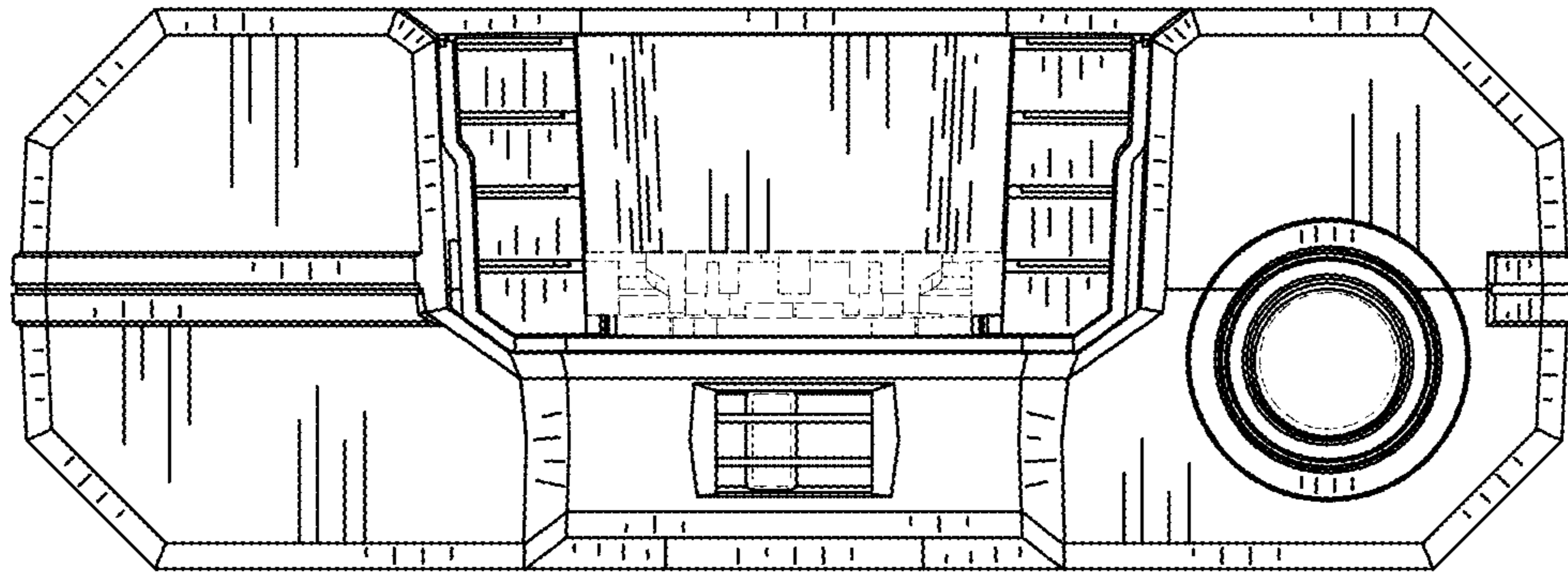


FIG. 13

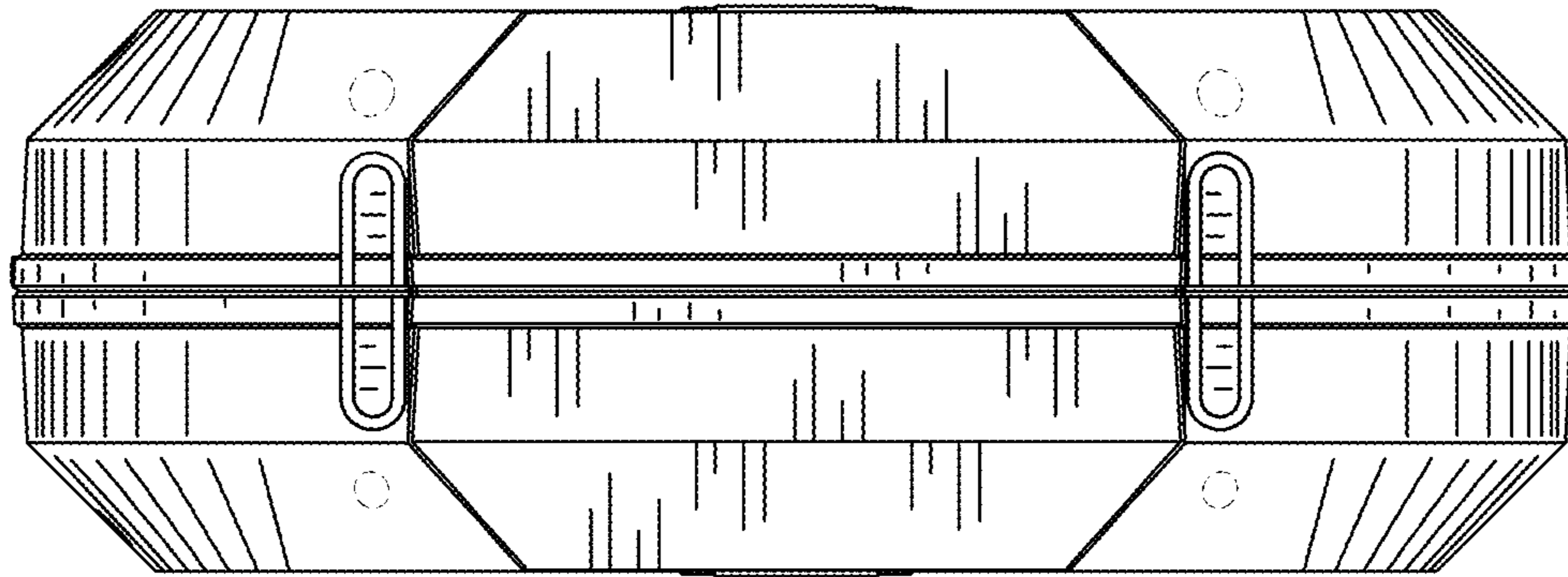


FIG. 14