



US00D812825S

(12) **United States Design Patent**  
**Smith et al.**

(10) **Patent No.:** **US D812,825 S**  
(45) **Date of Patent:** **\*\* Mar. 13, 2018**

(54) **BLOWER**

(71) Applicant: **CHERVON (HK) LIMITED**, Wanchai (HK)

(72) Inventors: **Derek Smith**, Nanjing (CN); **Dennis Wroblewski**, Nanjing (CN); **Dane Tucker**, Nanjing (CN)

(73) Assignee: **Chevron (HK) Limited**, Wanchai (HK)

(\*\*) Term: **15 Years**

(21) Appl. No.: **29/560,631**

(22) Filed: **Apr. 8, 2016**

(30) **Foreign Application Priority Data**

Oct. 13, 2015 (CN) ..... 201530401966.1

(51) **LOC (11) Cl.** ..... **15-05**

(52) **U.S. Cl.**  
USPC ..... **D32/15**

(58) **Field of Classification Search**  
USPC ..... D15/12; D23/321, 344, 315, 345, 412,  
D23/414, 300.1, 346, 415.1  
CPC ... A47L 5/14; A47L 9/32; A01G 1/125; F04B  
17/00; F04B 35/04  
See application file for complete search history.

(56) **References Cited**

**U.S. PATENT DOCUMENTS**

D258,908 S *	4/1981	Satoh	417/234
4,269,571 A *	5/1981	Shikutani	A47L 5/14 15/405
4,288,886 A *	9/1981	Siegler	A47L 5/14 15/330
5,035,586 A *	7/1991	Sadler	A47L 5/14 15/344
D322,971 S *	1/1992	Tuggle	D15/13
D359,603 S *	6/1995	Rakocy	D32/15

D363,149 S *	10/1995	Franke	D15/17
D400,322 S *	10/1998	Webster	D32/15
D431,697 S *	10/2000	Hayakawa	D32/15
D461,604 S *	8/2002	Martin	D32/15
D469,931 S *	2/2003	Nawrozki	D32/15
D480,844 S *	10/2003	Noma	D32/15
D497,692 S *	10/2004	Nawrozki	D32/15
D498,885 S *	11/2004	Robson	D32/15
D529,243 S *	9/2006	Noma	D32/15
D538,984 S *	3/2007	King	D32/15
D556,395 S *	11/2007	Martin	D32/15
D558,939 S *	1/2008	Yuasa	D32/15
D569,055 S *	5/2008	Bochmann	D32/15
D584,461 S *	1/2009	Sweeney	D32/15
D591,916 S *	5/2009	Kosugi	D32/15
D594,961 S *	6/2009	Tinius; Michael	D23/383

(Continued)

*Primary Examiner* — Michael A. Pratt

*Assistant Examiner* — Michelle E Wilson

(74) *Attorney, Agent, or Firm* — Greenberg Traurig, LLP

(57) **CLAIM**

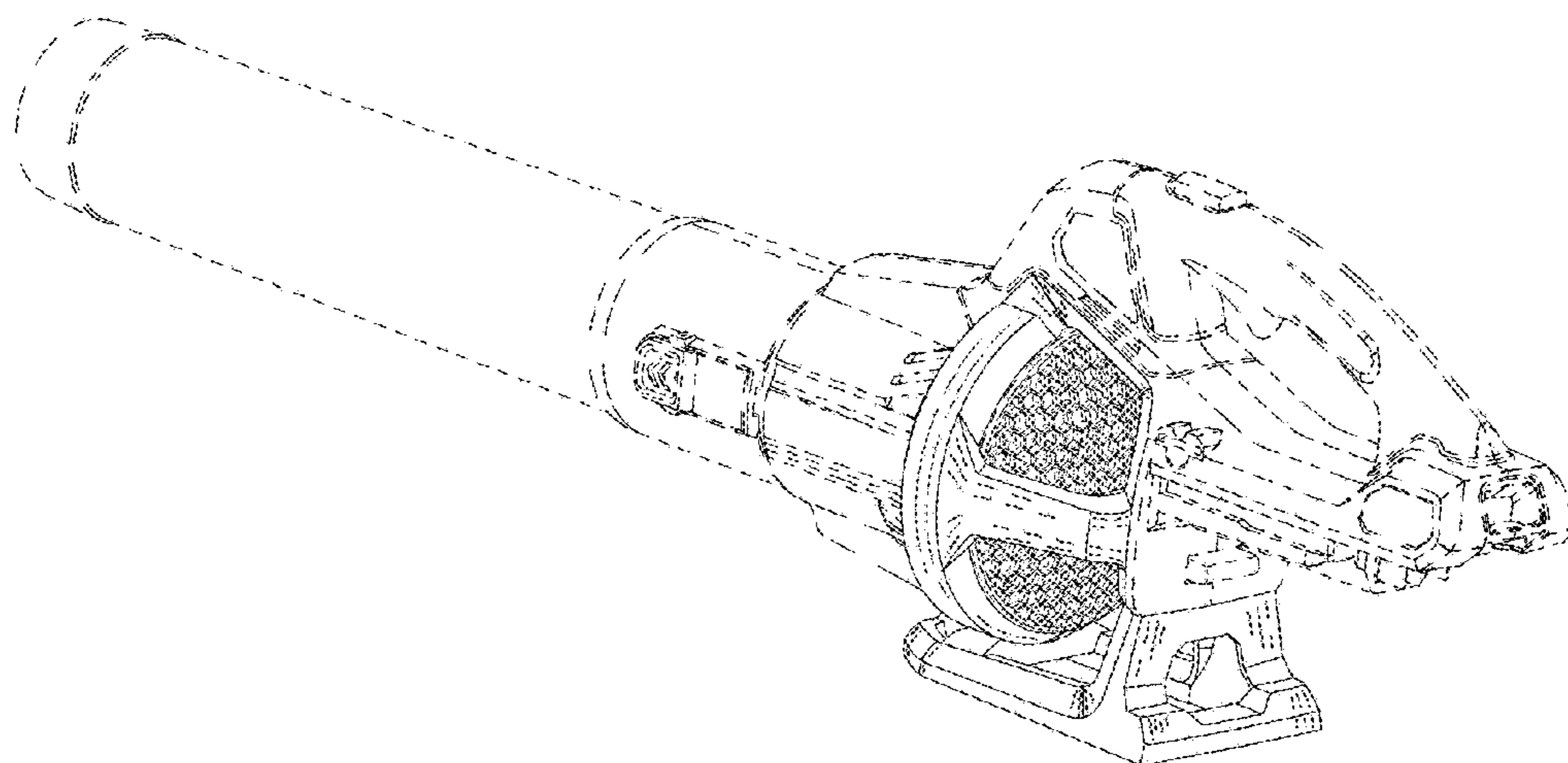
What is claimed is the ornamental design for a blower, as shown and described.

**DESCRIPTION**

FIG. 1 is a left side elevational view of a blower showing our new design;  
FIG. 2 is a right side elevational view thereof;  
FIG. 3 is a front side elevational view thereof;  
FIG. 4 is a rear side elevational view thereof;  
FIG. 5 is a top plan view thereof;  
FIG. 6 is a bottom plan view thereof;  
FIG. 7 is a perspective view thereof; and,  
FIG. 8 is a perspective view thereof with a battery pack installed thereon.

Any elements shown in dotted and/or dashed lines are showing portions of the blower that form no part of the design claimed. Any surface shading is used solely to show the character or contour of the surfaces represented.

**1 Claim, 8 Drawing Sheets**



(56)

**References Cited**

U.S. PATENT DOCUMENTS

D605,819	S	*	12/2009	Tinius	.....	D32/15
D615,716	S	*	5/2010	Tinius	.....	D32/15
D637,774	S	*	5/2011	Li	.....	D32/15
D638,035	S	*	5/2011	Kosugi	.....	D15/5
D656,370	S	*	3/2012	Tinius	.....	D8/8
D668,822	S	*	10/2012	Tinius	.....	D32/15
D704,908	S	*	5/2014	Cui	.....	D32/15
D729,999	S	*	5/2015	Aoi	.....	D15/12
D735,960	S	*	8/2015	Zhang	.....	D32/15
D742,603	S	*	11/2015	Tschopp	.....	D15/12
D746,004	S	*	12/2015	Murray	.....	D15/12
D747,050	S	*	1/2016	Martin	.....	D32/15
D748,876	S	*	2/2016	Carl	.....	D15/12
D748,877	S	*	2/2016	Tirone	.....	D15/12

\* cited by examiner

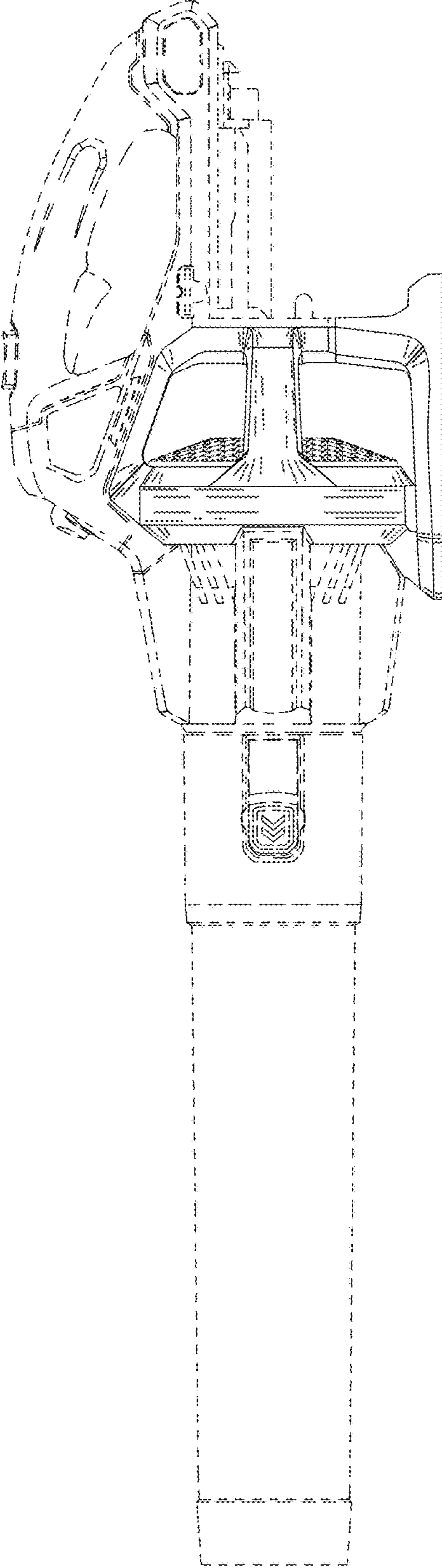


Fig. 1

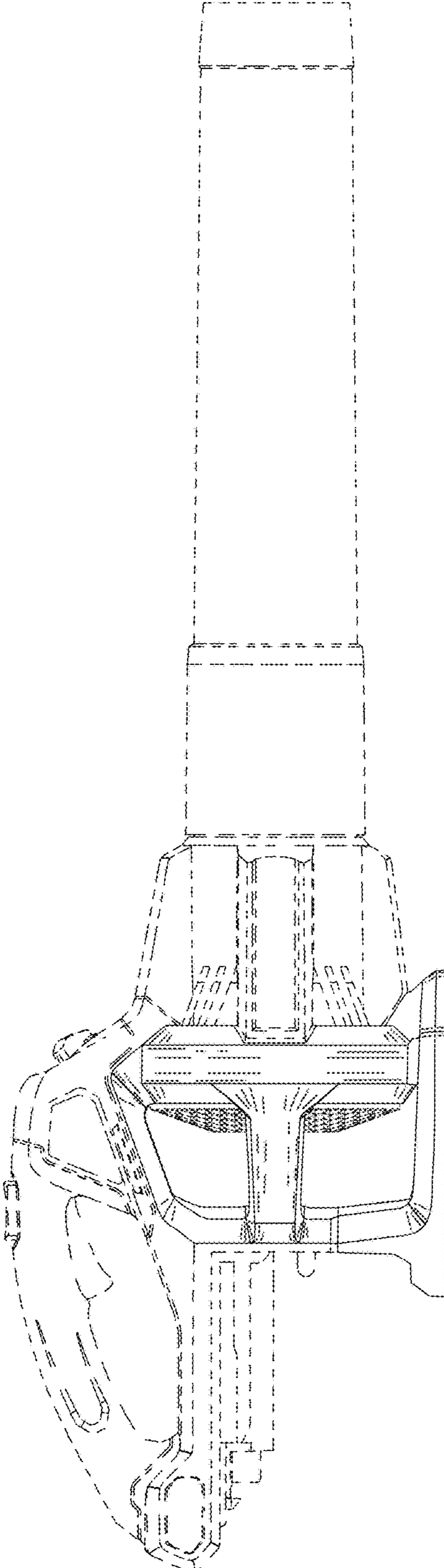


Fig. 2

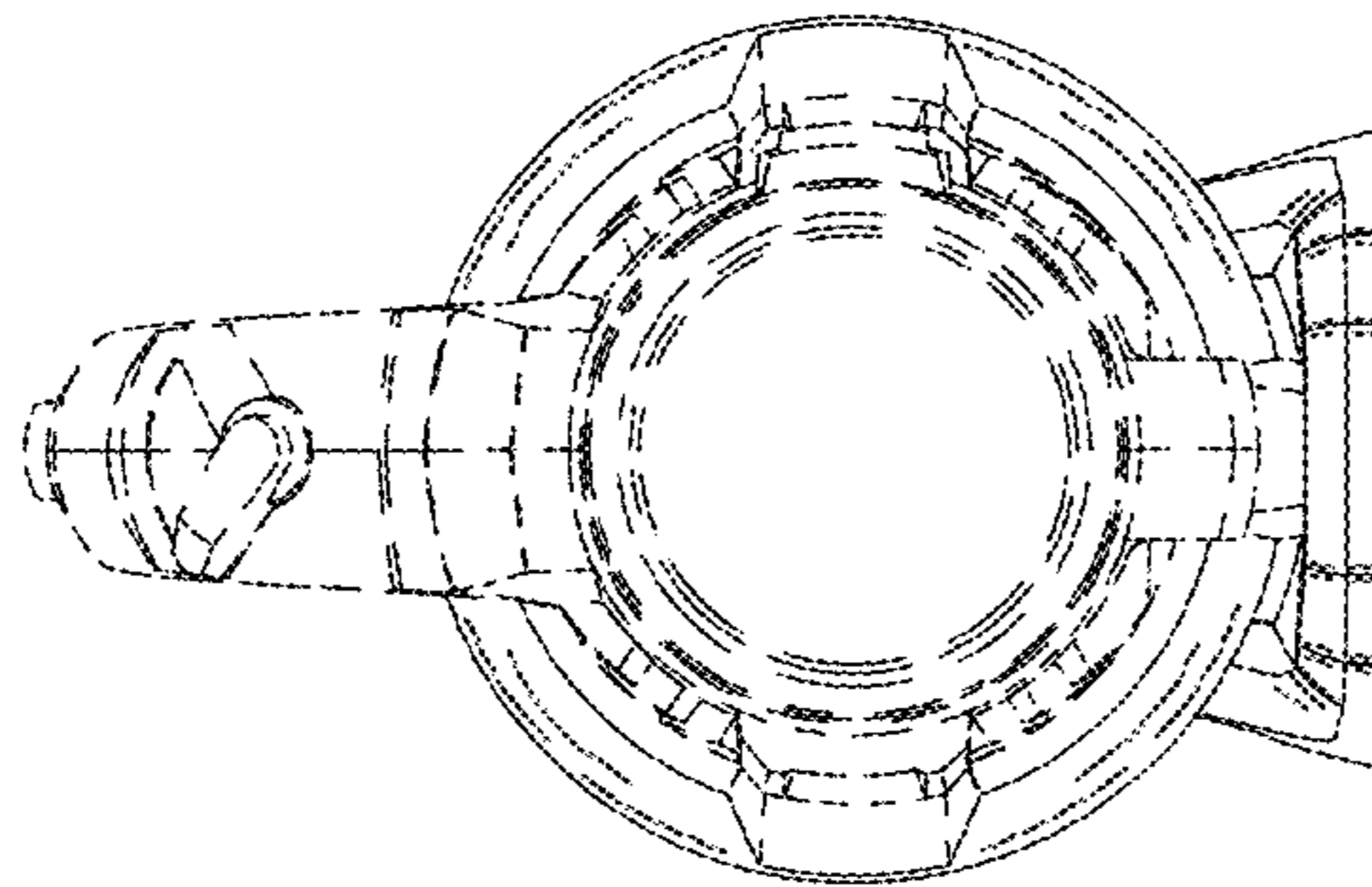


Fig. 3



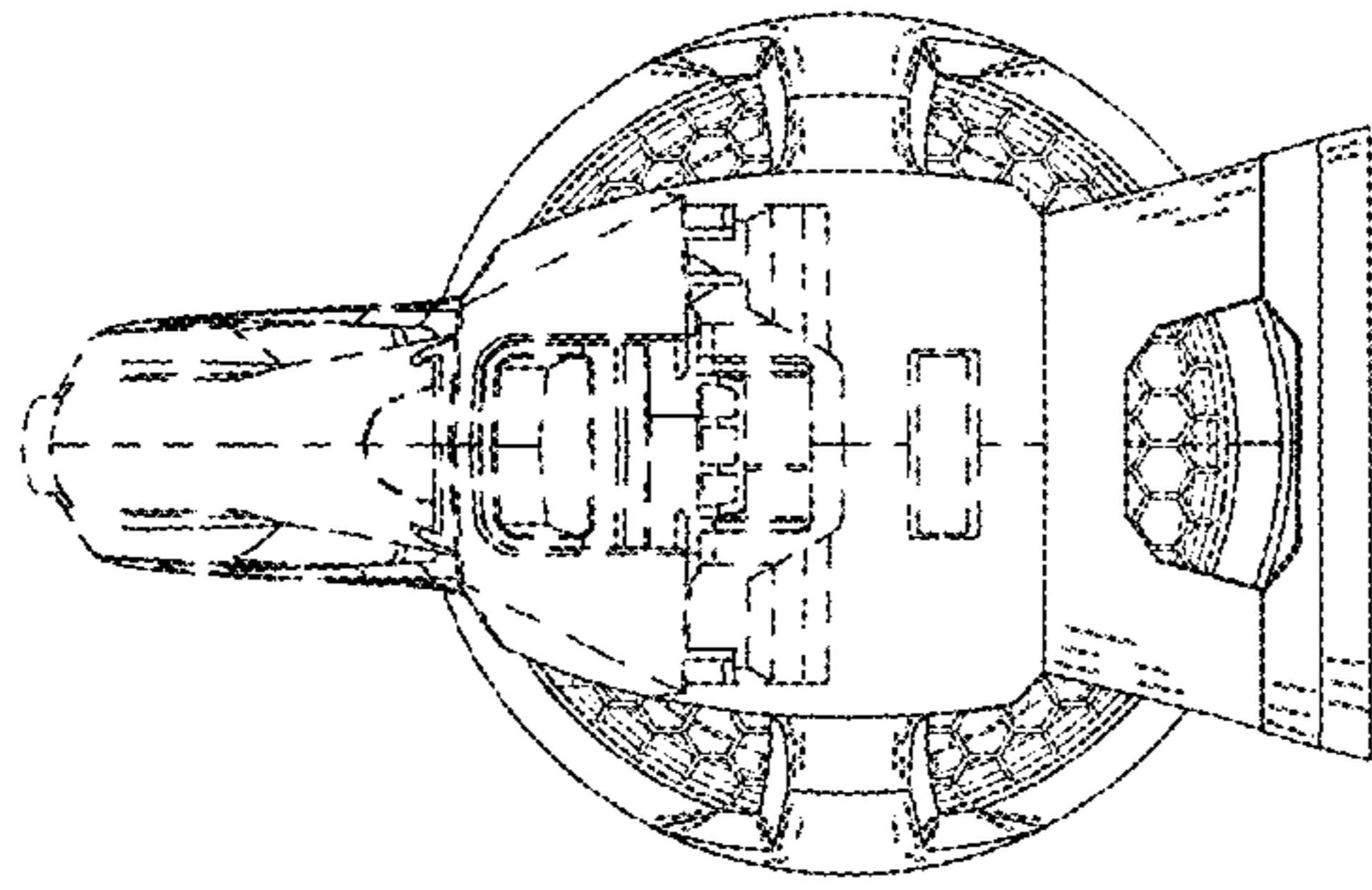


Fig. 4

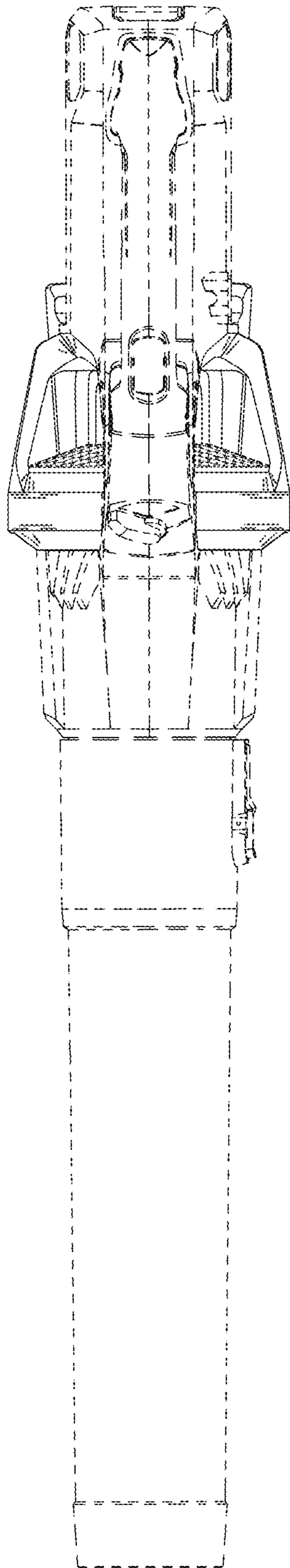


Fig. 5

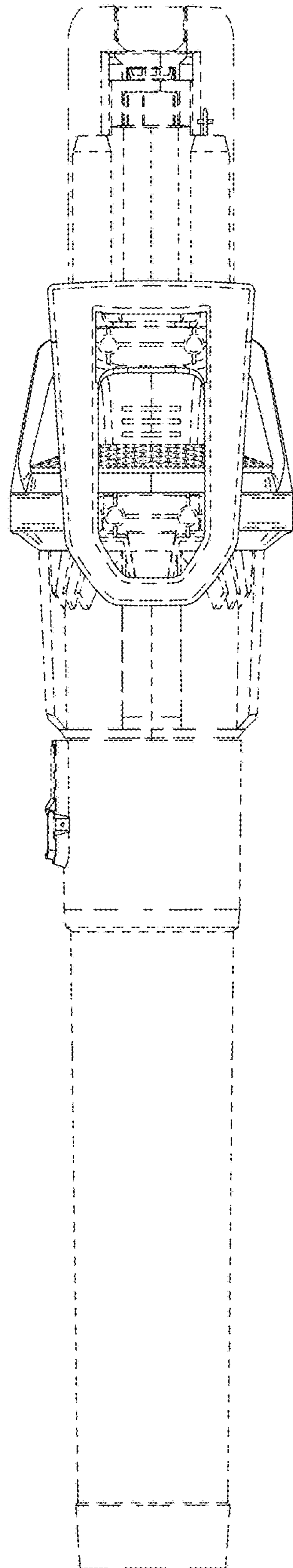


Fig. 6



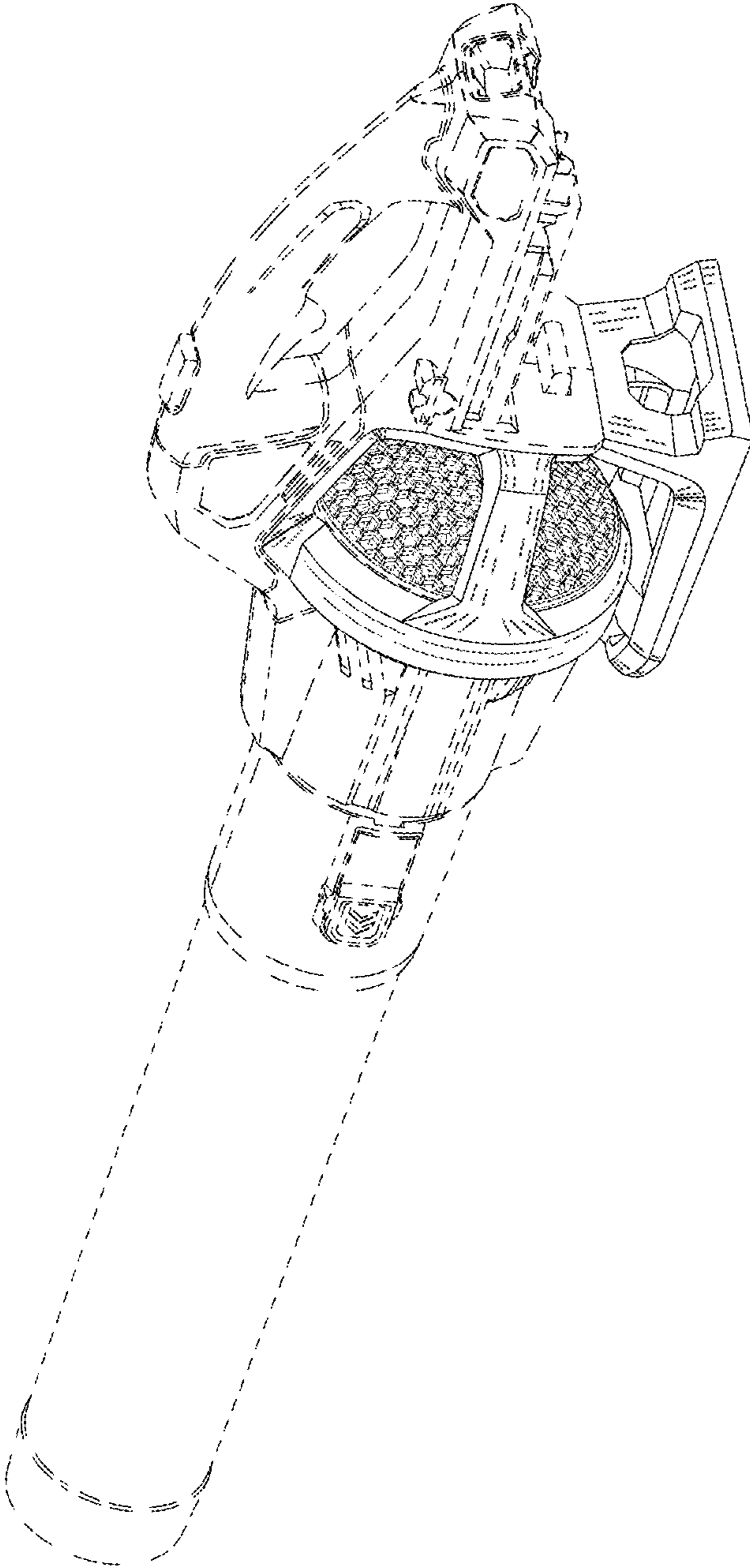


Fig. 7

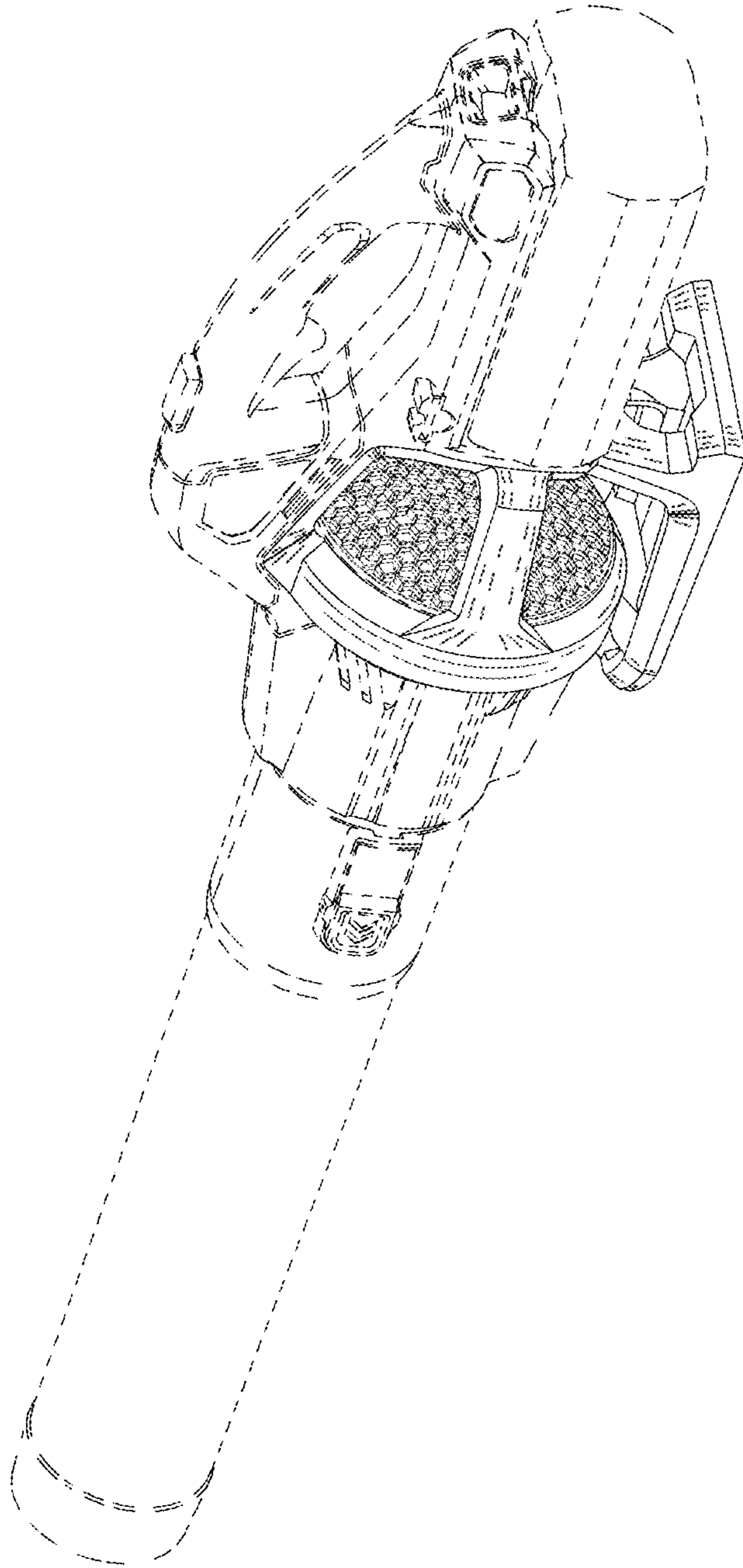


Fig. 8

UNITED STATES PATENT AND TRADEMARK OFFICE  
**CERTIFICATE OF CORRECTION**

PATENT NO. : D812,825 S  
APPLICATION NO. : 29/560631  
DATED : March 13, 2018  
INVENTOR(S) : Derek Smith, Dennis Wroblewski and Dane Tucker

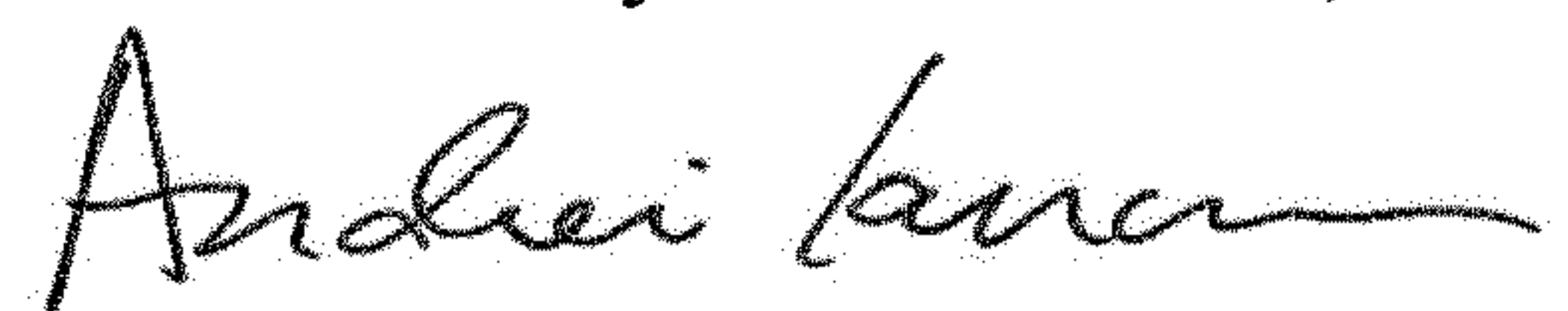
Page 1 of 1

It is certified that error appears in the above-identified patent and that said Letters Patent is hereby corrected as shown below:

On the Title Page

(73) Assignee: 'Chevron' (HK) Limited should read --Chervon-- (HK) Limited

Signed and Sealed this  
Thirteenth Day of November, 2018



Andrei Iancu  
*Director of the United States Patent and Trademark Office*