



US00D812824S

(12) **United States Design Patent** (10) **Patent No.:** **US D812,824 S**
Alton (45) **Date of Patent:** **** Mar. 13, 2018**

(54) **TOY FOR ANIMALS**
(71) Applicant: **David Alton**, Bromsgrove (GB)
(72) Inventor: **David Alton**, Bromsgrove (GB)
(**) Term: **15 Years**
(21) Appl. No.: **29/570,960**
(22) Filed: **Jul. 13, 2016**
(30) **Foreign Application Priority Data**
Jan. 15, 2016 (EM) 002947135-0003
(51) **LOC (11) Cl.** **30-99**
(52) **U.S. Cl.**
USPC **D30/160**; D21/712; D21/681; D21/682
(58) **Field of Classification Search**
USPC D30/30; D21/355-356, 358, 366, 398,
D21/662, 678, 681-682, 701, 707, 712,
D21/713, 788; D11/7, 14, 42, 49;
119/707, 713, 801, 832; D23/223, 250;
D9/767, 781; D26/15, 22, 40, 109, 124
CPC A63H 33/18; A63B 23/035; A63B 23/16;
A63B 41/00; A63B 43/02
See application file for complete search history.

(56) **References Cited**
U.S. PATENT DOCUMENTS
D241,869 S * 10/1976 Wilfried D21/713
D242,865 S * 12/1976 Stamm D21/682
D244,628 S * 6/1977 Wright D21/682
D309,762 S * 8/1990 Carr D21/678
D355,685 S * 2/1995 Ross D21/712
D363,752 S * 10/1995 Shumber D21/678
D452,892 S * 1/2002 Frisina D21/712
D452,893 S * 1/2002 Frisina D21/712
D452,977 S * 1/2002 Frisina D21/712
D453,036 S * 1/2002 Frisina D21/712
D453,037 S * 1/2002 Frisina D21/712

D453,201 S * 1/2002 Frisina D21/712
D453,202 S * 1/2002 Frisina D21/712
D513,096 S * 12/2005 Stiles D21/712
D536,888 S * 2/2007 Dykstra D6/358
D562,419 S * 2/2008 Crane D21/712
D613,463 S * 4/2010 Watanabe D30/160
D624,251 S * 9/2010 Rutherford D30/160
D670,093 S * 11/2012 Miucci D6/351
8,449,417 B2 * 5/2013 Bevier A63B 43/008
40/327
D707,303 S * 6/2014 Saber D21/398
D714,868 S * 10/2014 Nash D19/86
D724,277 S * 3/2015 Avalos Sartorio D30/130
D733,814 S * 7/2015 Gustafson D21/662
D738,128 S * 9/2015 Paslawski D6/358
D746,002 S * 12/2015 Crane D30/160
D749,802 S * 2/2016 Crane D30/160
9,289,657 B1 * 3/2016 Rice A63B 43/04
2005/0202739 A1 * 9/2005 Ladisa A63B 41/00
441/81

(Continued)

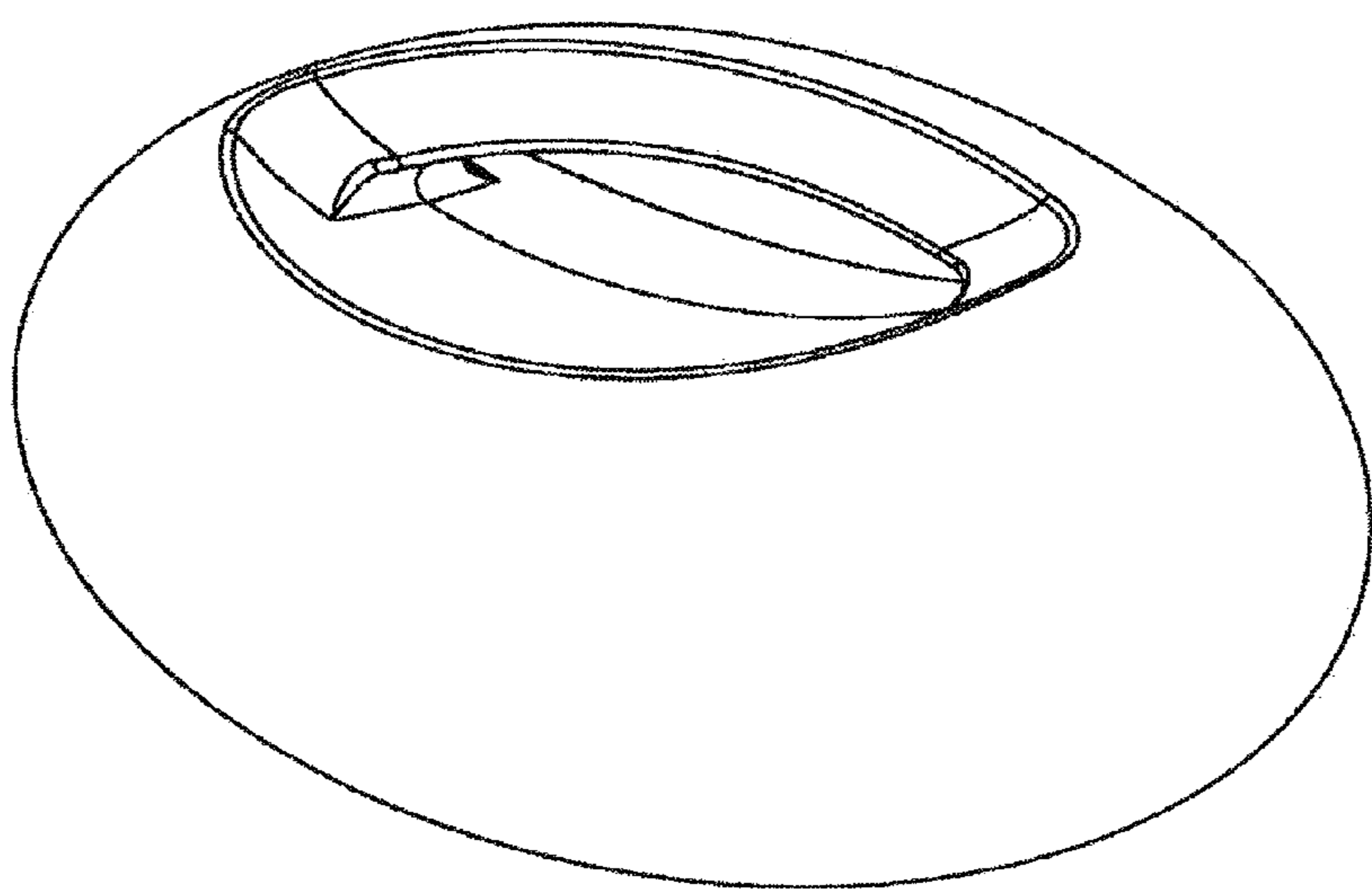
Primary Examiner — Mary Ann Calabrese
Assistant Examiner — Mehri Bajoul
(74) *Attorney, Agent, or Firm* — Ladas & Parry LLP

(57) **CLAIM**
I claim the ornamental design for a toy for animals, as shown and described.

DESCRIPTION

FIG. 1 is a perspective view of my new design for a toy for animals;
FIG. 2 is a front view thereof;
FIG. 3 is a top view thereof;
FIG. 4 is a right side view thereof;
FIG. 5 is a left side view thereof;
FIG. 6 is a rear view thereof; and,
FIG. 7 is a bottom view thereof.
The toy for animals has the shape and appearance of a rugby ball with a handle.

1 Claim, 4 Drawing Sheets



(56)

References Cited

U.S. PATENT DOCUMENTS

2014/0038741 A1* 2/2014 Brooks A63B 69/002
473/280
2015/0176784 A1* 6/2015 Hu F21S 4/006
315/76

* cited by examiner

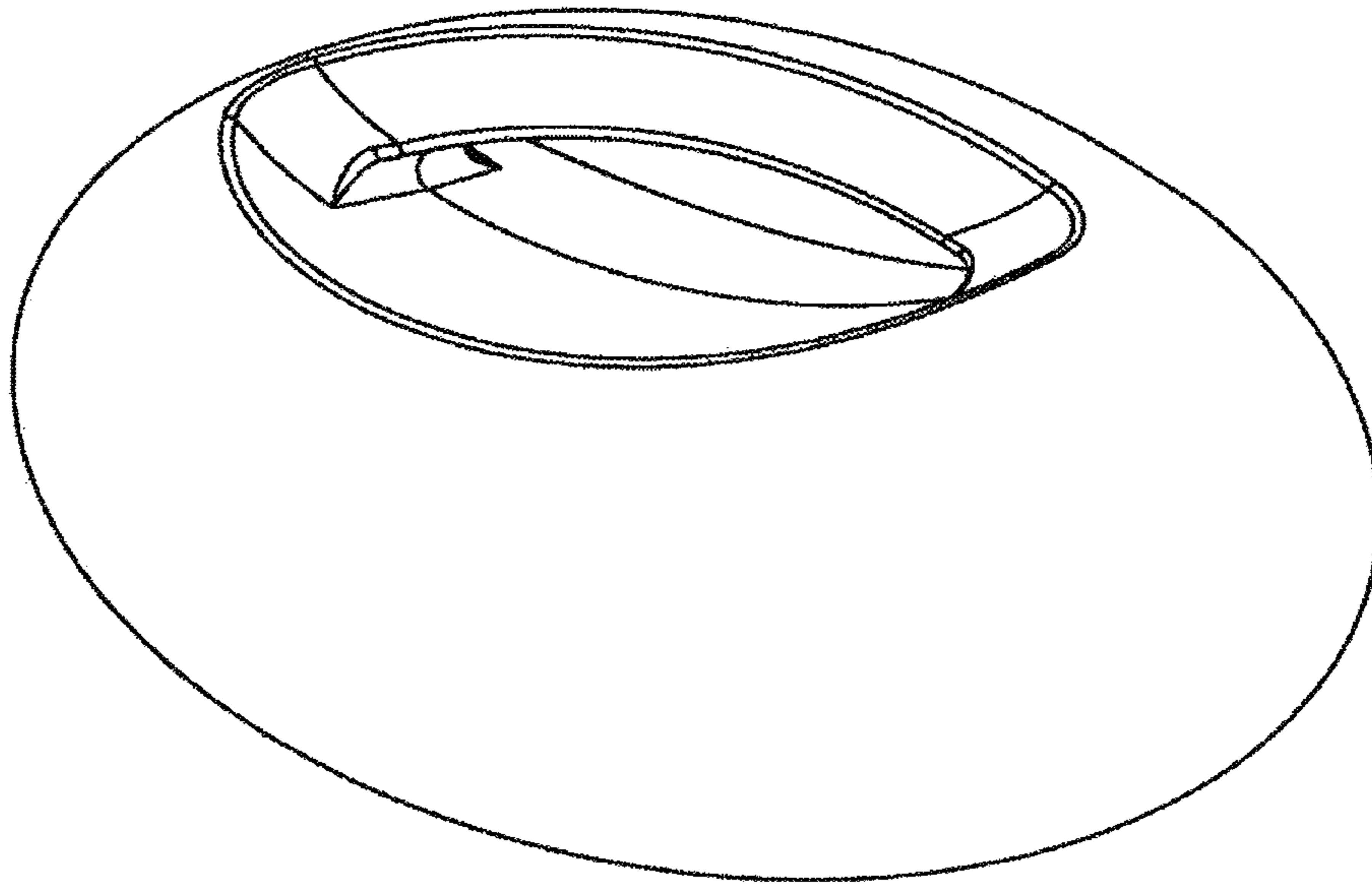


FIG. 1

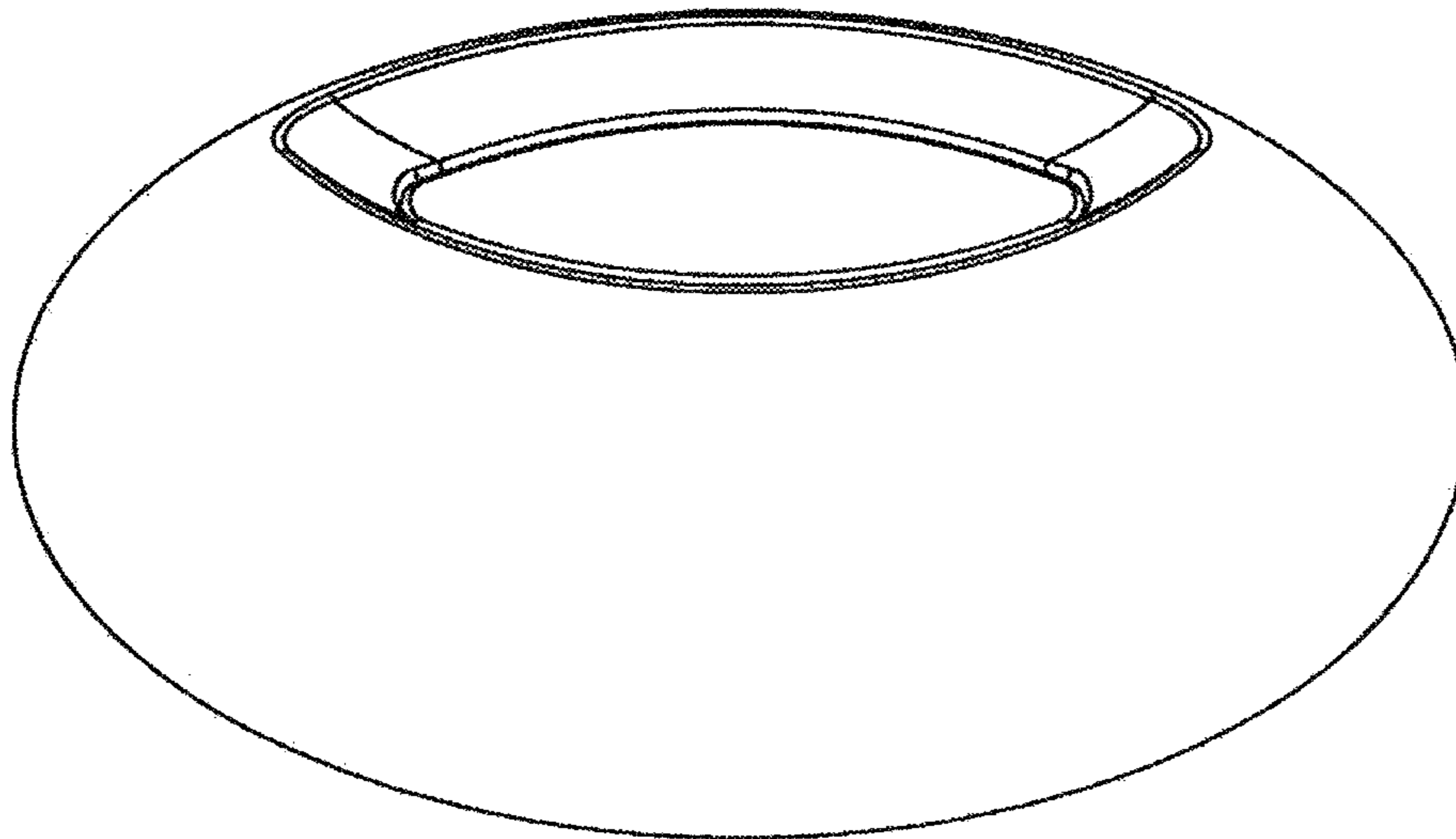


FIG. 2

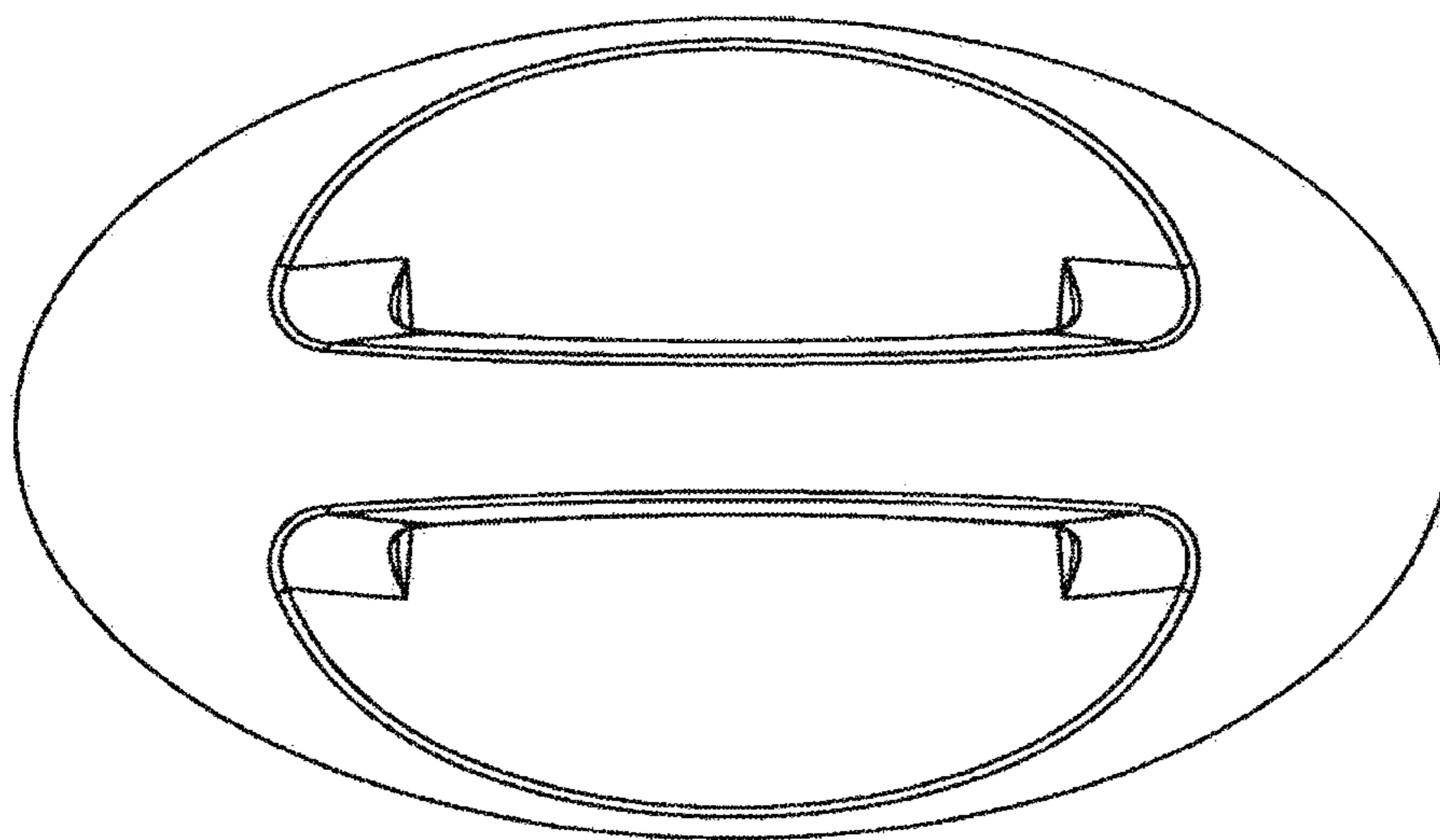


FIG. 3

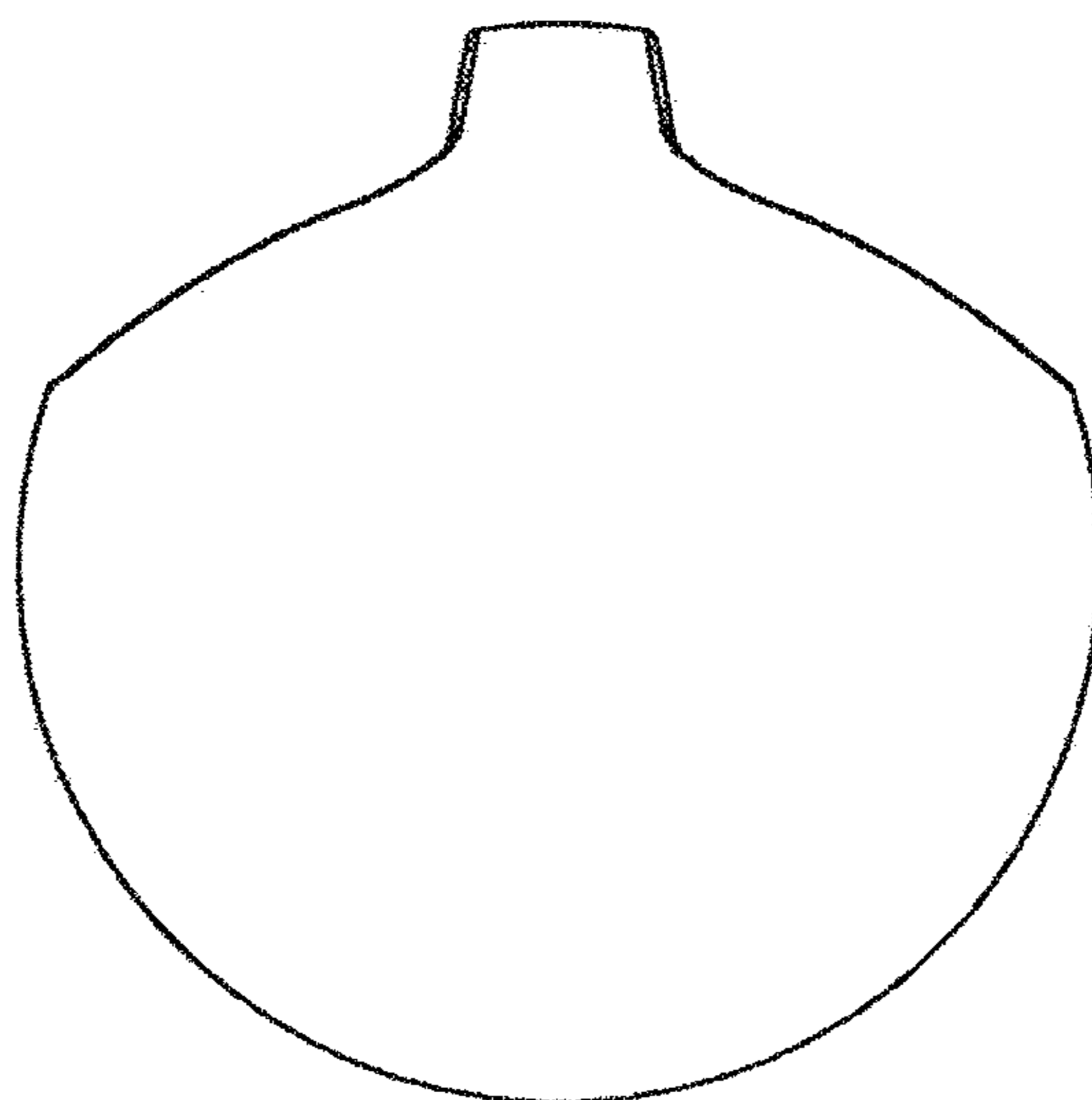


FIG. 4

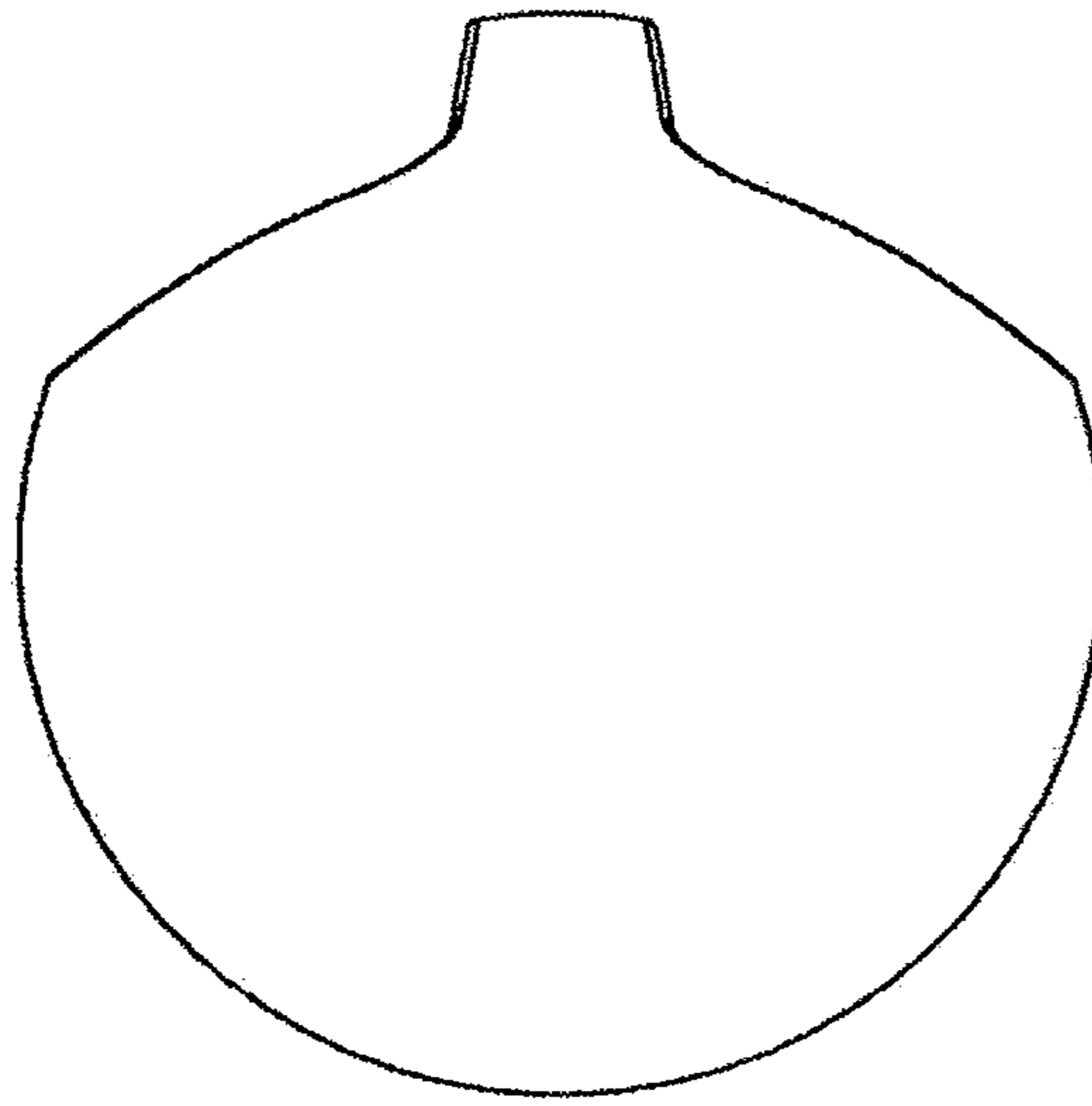


FIG. 5

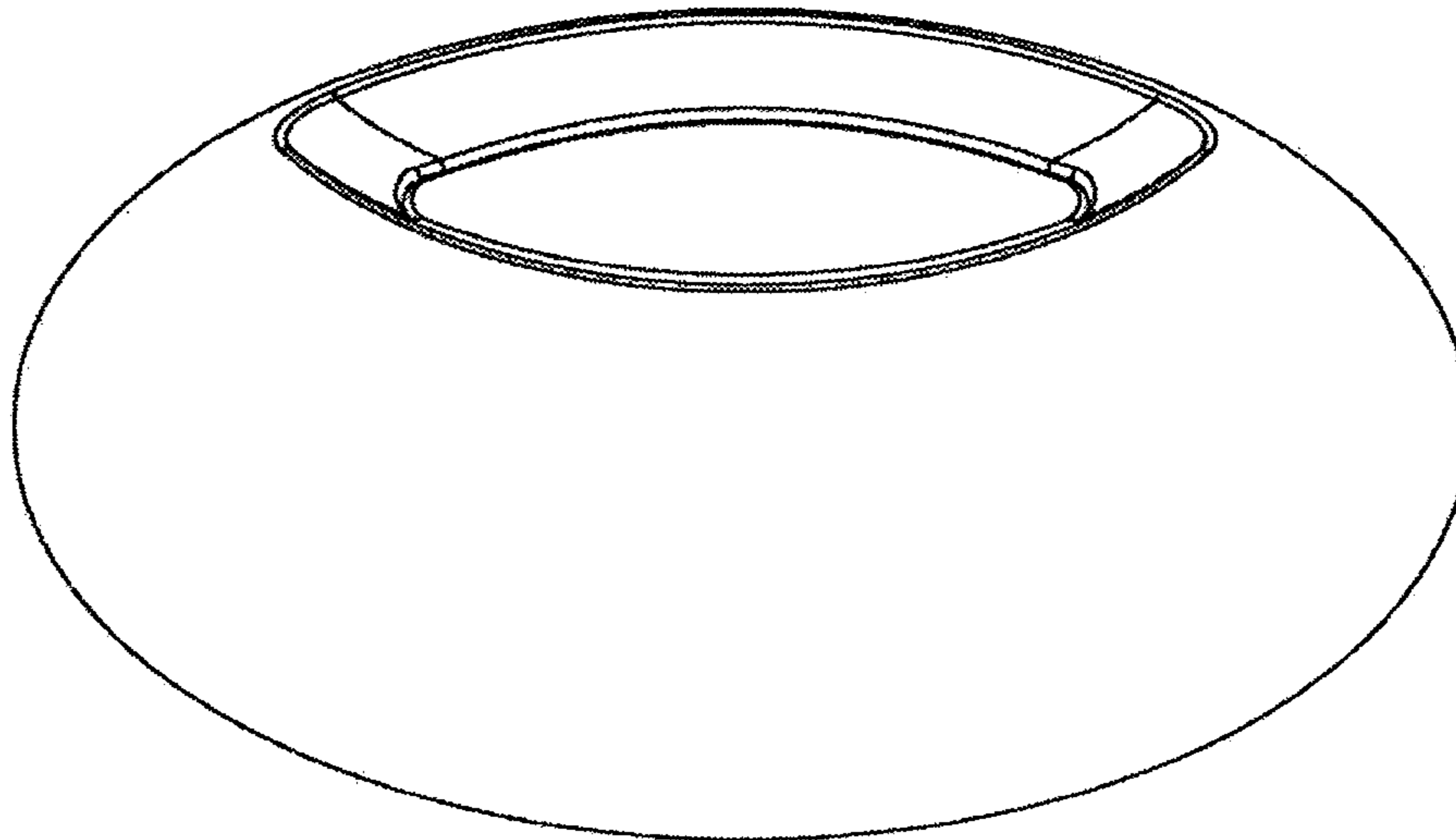


FIG. 6

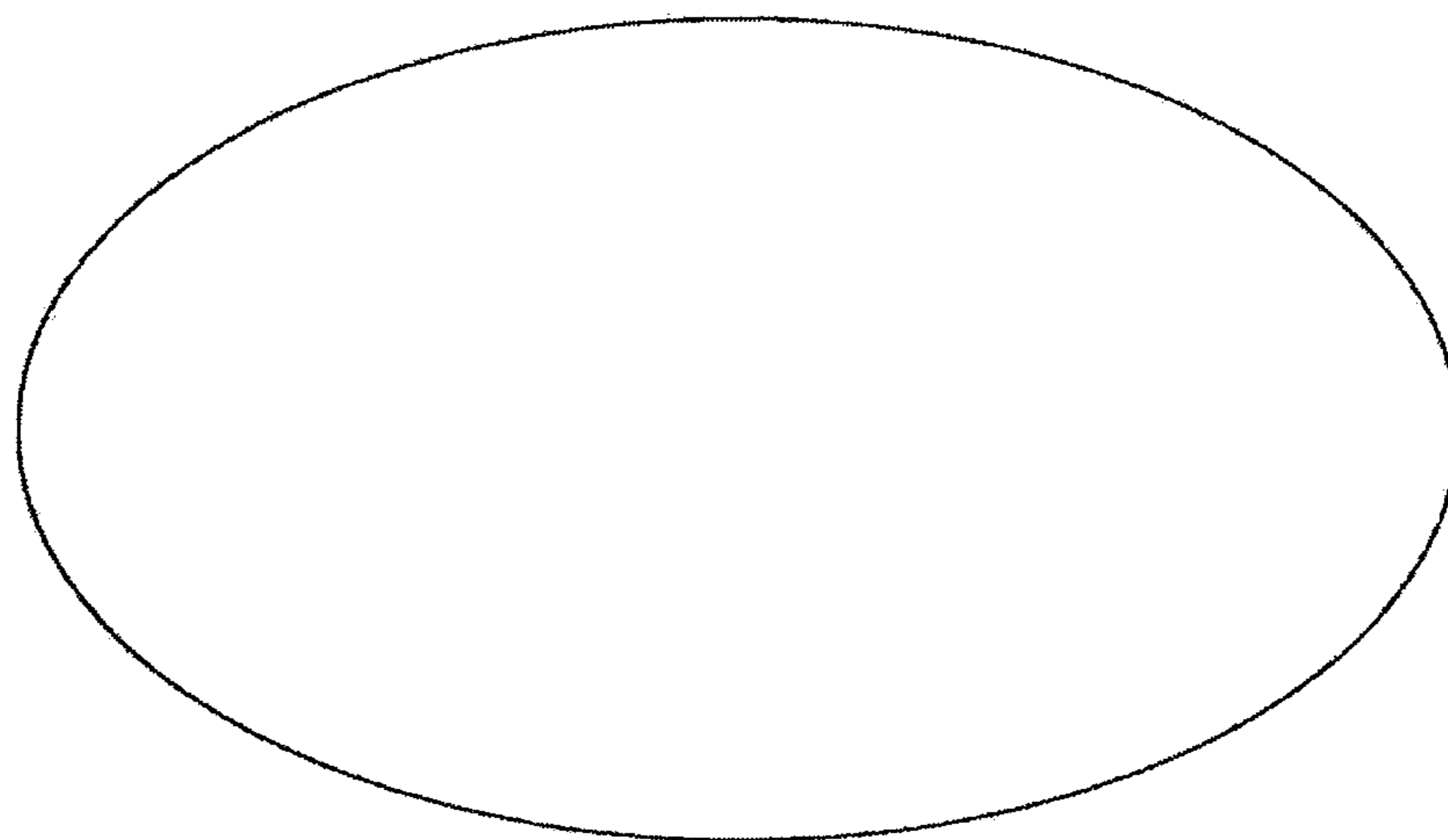


FIG. 7