



US00D812814S

(12) **United States Design Patent**  
**Gandon**

(10) **Patent No.:** **US D812,814 S**  
(45) **Date of Patent:** **\*\* Mar. 13, 2018**

(54) **HAIRDRESSER RAZOR**  
(71) Applicant: **ELEVEN & CO**, Monterblanc (FR)  
(72) Inventor: **Julien Gandon**, Monterblanc (FR)  
(\*\*) Term: **15 Years**  
(21) Appl. No.: **35/500,667**  
(22) Filed: **Feb. 10, 2016**

D344,155 S \* 2/1994 Ueno ..... D28/45  
D377,696 S \* 1/1997 Schultz ..... D28/45  
D391,021 S \* 2/1998 van Oene ..... D28/45  
D393,329 S \* 4/1998 Ido ..... D28/45  
D408,584 S \* 4/1999 Ido ..... D28/45  
6,092,288 A \* 7/2000 Adachi ..... B26B 21/10  
30/30  
D444,915 S \* 7/2001 Bianco ..... D28/45  
D512,795 S \* 12/2005 Carpenter ..... D28/45  
D541,985 S \* 5/2007 Pena ..... D28/45  
D541,986 S \* 5/2007 Drivas ..... D28/45  
D578,708 S \* 10/2008 Ringart ..... D28/45

(80) **Hague Agreement Data**

Int. Filing Date: **Feb. 10, 2016**  
Int. Reg. No.: **DM/089423**  
Int. Reg. Date: **Feb. 10, 2016**  
Int. Reg. Pub. Date: **Mar. 4, 2016**

\* cited by examiner

*Primary Examiner* — Zenia Bennett

(51) **LOC (11) Cl.** ..... **28-03**  
(52) **U.S. Cl.**  
USPC ..... **D28/45**

(57) **CLAIM**

The ornamental design of a hairdresser razor, as shown and described.

(58) **Field of Classification Search**

USPC ..... D28/45-48, 52; D8/20, 98, 99; D7/649,  
D7/650; D24/20, 98, 99  
CPC ..... B26B 21/00; B26B 21/04; B26B  
21/08-21/12; B26B 21/525  
See application file for complete search history.

**DESCRIPTION**

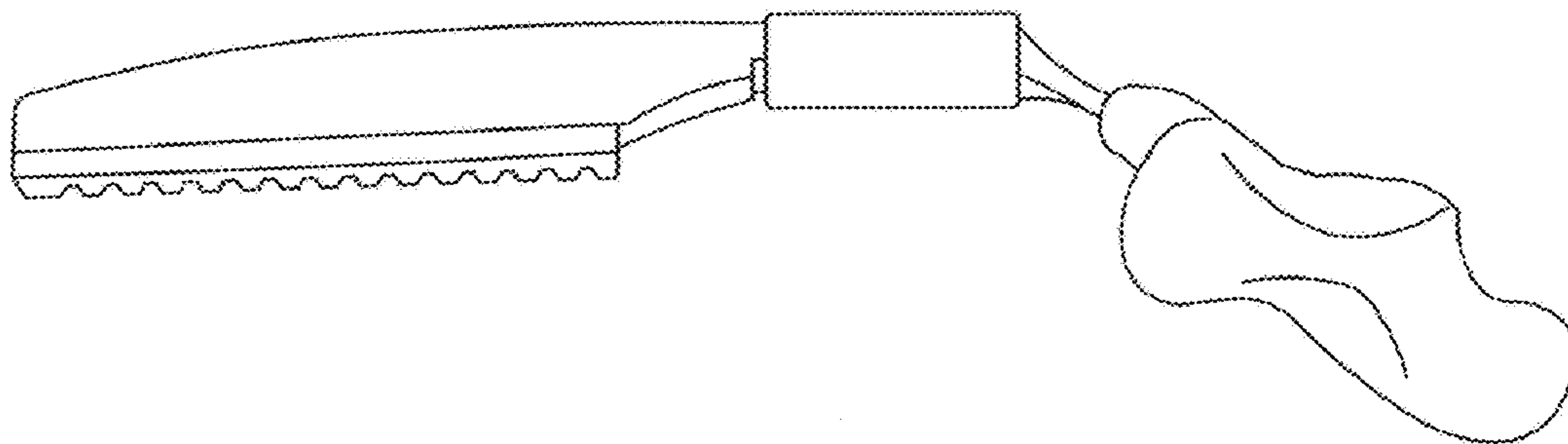
1. Hairdresser's razor  
Fig. 1.1 is a bottom view;  
Fig. 1.2 is a top view;  
Fig. 1.3 is a side view;  
Fig. 1.4 is a perspective view;  
Fig. 1.5 is a front view;  
Fig. 1.6 is a rear view.

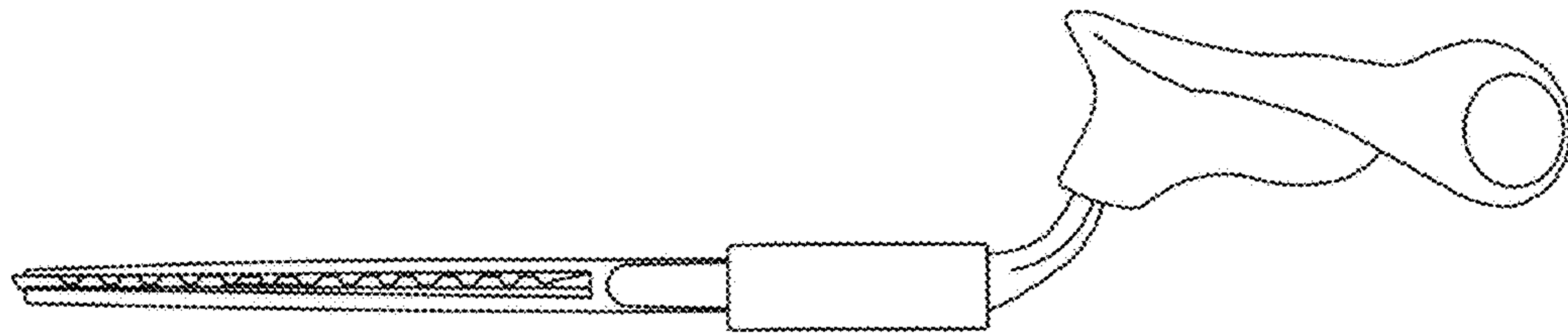
(56) **References Cited**

U.S. PATENT DOCUMENTS

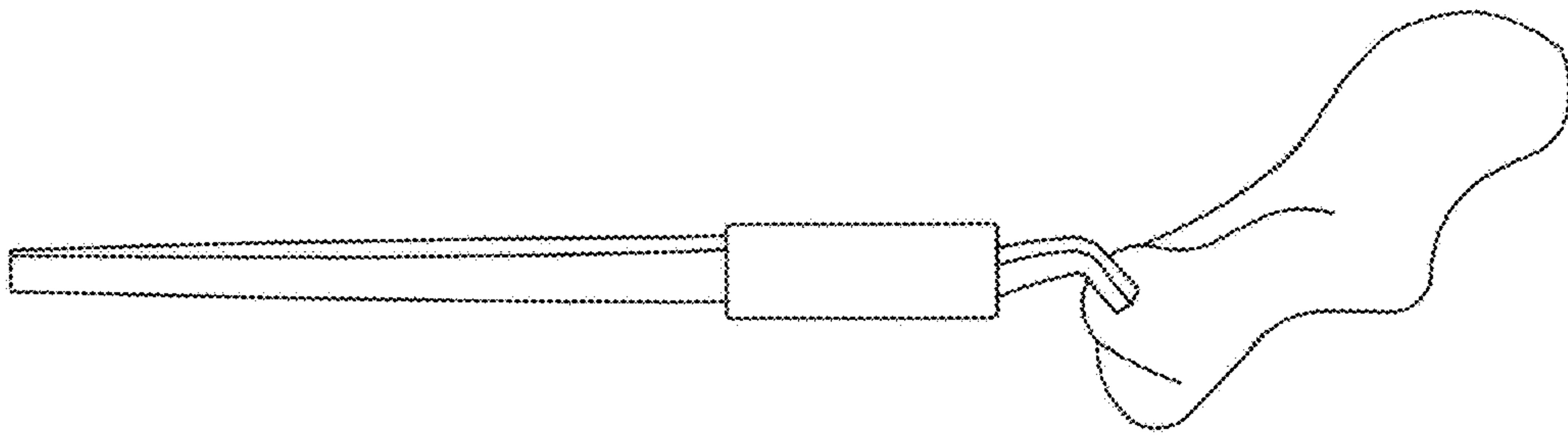
D276,751 S \* 12/1984 Kahn ..... D28/45  
D322,688 S \* 12/1991 Grange ..... D28/45

**1 Claim, 6 Drawing Sheets**

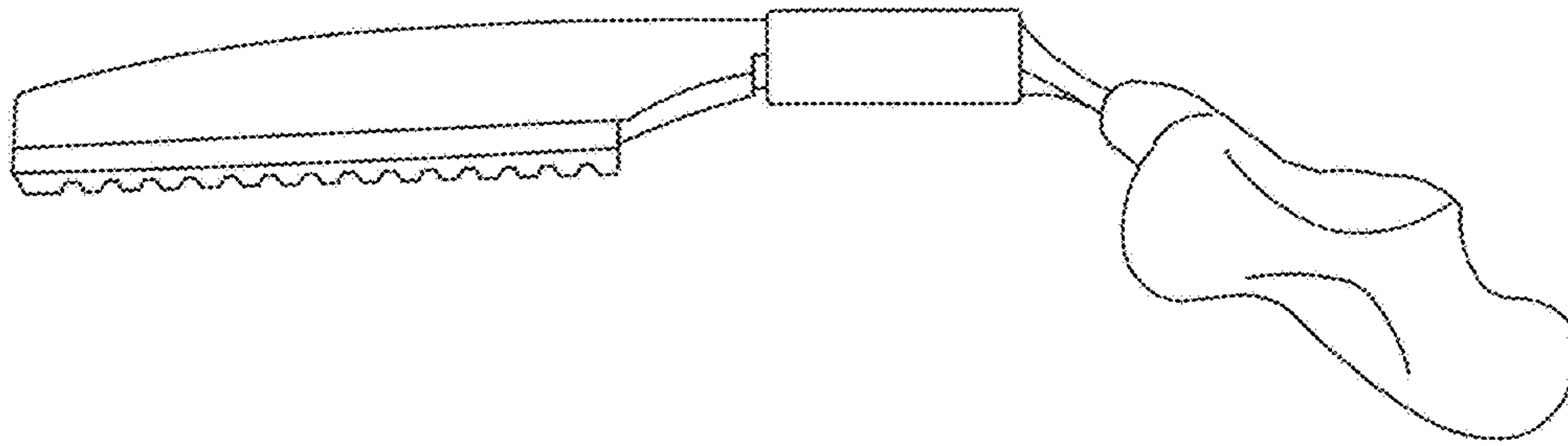




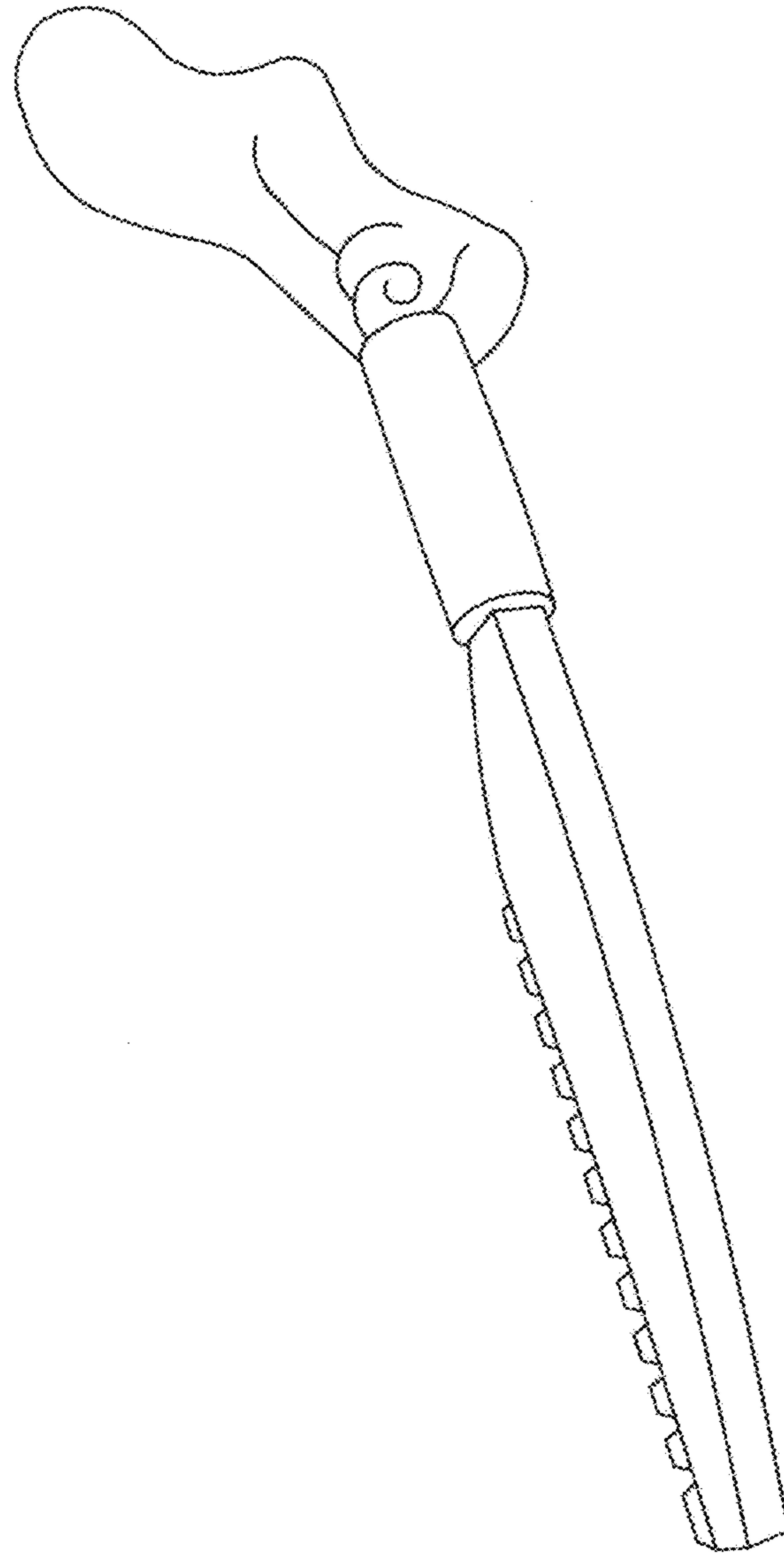
1.1



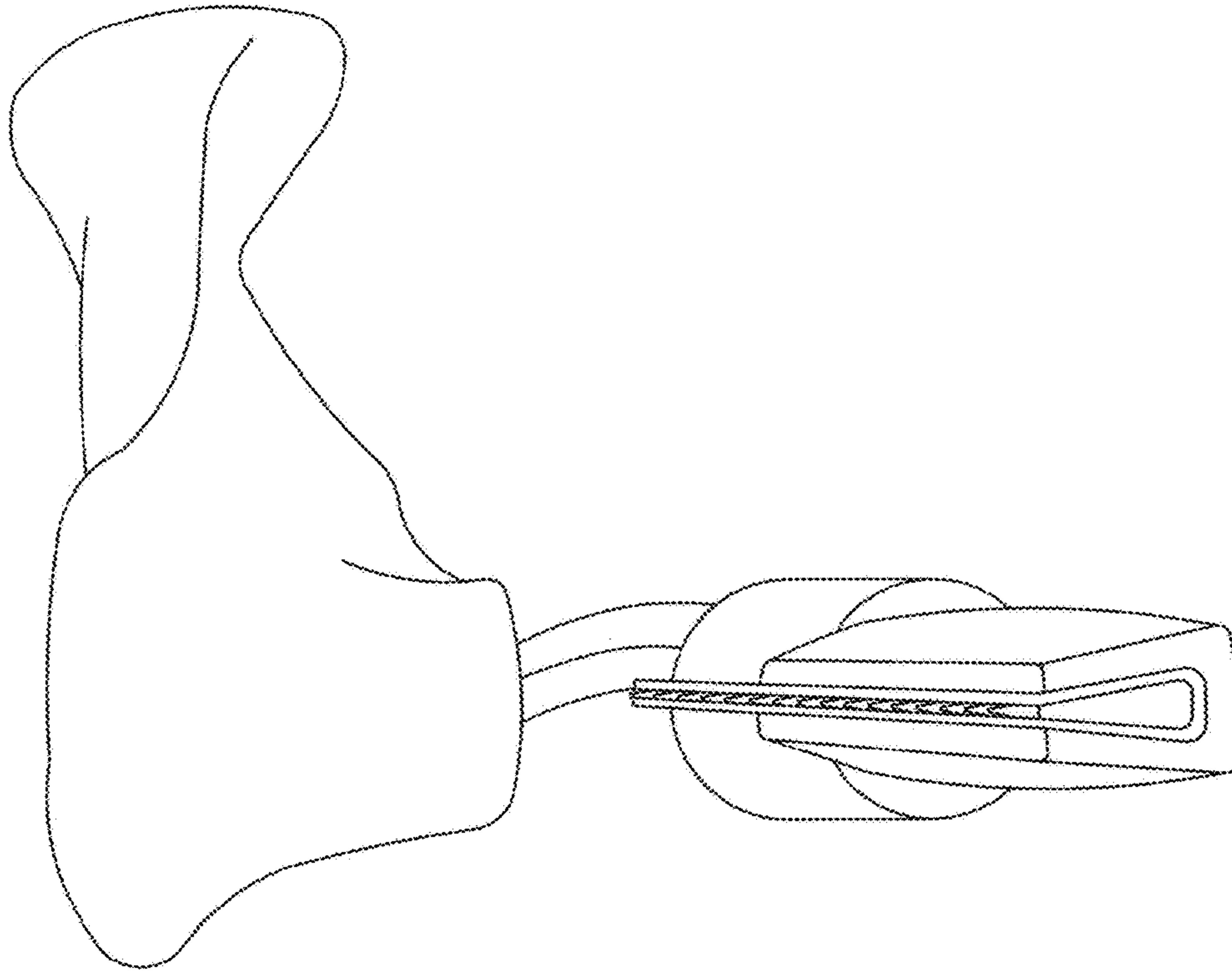
1.2



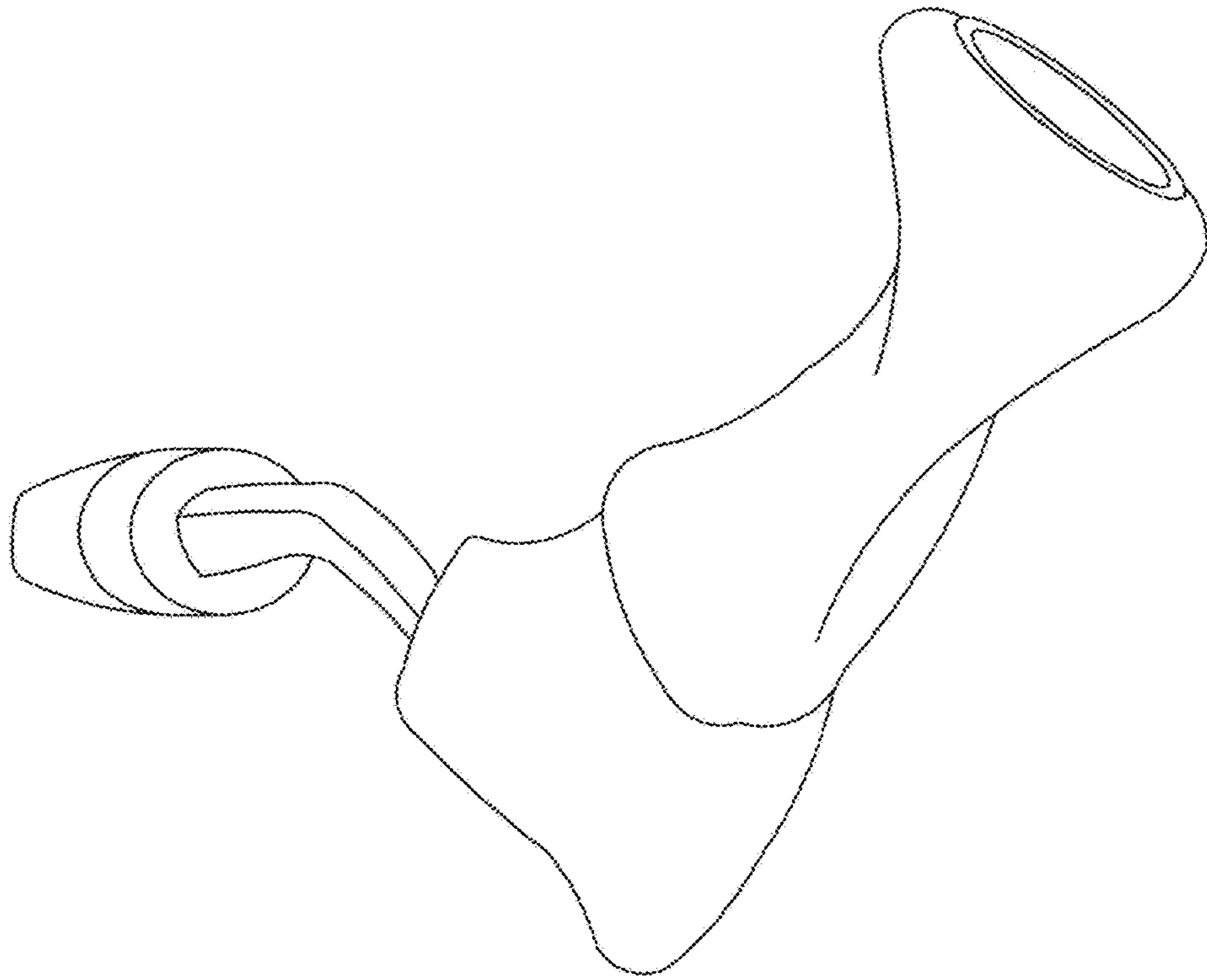
1.3



1.4



1.5



1.6