



US00D812805S

(12) **United States Design Patent**  
**Bendtsen et al.**

(10) **Patent No.:** **US D812,805 S**  
(45) **Date of Patent:** **\*\* Mar. 13, 2018**

(54) **LIGHTING APPARATUS**

- (71) Applicant: **Cree, Inc.**, Durham, NC (US)
- (72) Inventors: **Andrew Bendtsen**, Racine, WI (US);  
**Kurt Wilcox**, Libertyville, IL (US);  
**Boris Karpichev**, Libertyville, IL (US);  
**John Roberts**, Durham, NC (US);  
**David Goelz**, Milwaukee, WI (US);  
**Douglas E. Keiter**, Apex, NC (US);  
**Randy Bernard**, Cary, NC (US)
- (73) Assignee: **Cree, Inc.**, Durham, NC (US)
- (\*\*) Term: **15 Years**
- (21) Appl. No.: **29/567,839**
- (22) Filed: **Jun. 13, 2016**

**Related U.S. Application Data**

- (63) Continuation of application No. 15/018,606, filed on Feb. 8, 2016.
- (51) **LOC (11) Cl.** ..... **26-99**
- (52) **U.S. Cl.**  
USPC ..... **D26/113**
- (58) **Field of Classification Search**  
USPC ..... D13/179; D26/1, 24, 72, 113  
CPC ..... F28D 1/0246; F28D 1/0426; F28D 15/02;  
F28D 15/0266; F28D 15/0275; F28D  
15/04; F28F 13/003; F28F 13/12; F04D  
25/0613; F04D 25/068; F04D 29/281422;  
F21V 29/2293; F21V 29/2231; F21V  
29/74; F21V

(Continued)

(56) **References Cited**

**U.S. PATENT DOCUMENTS**

- D444,254 S \* 6/2001 Minissi ..... D26/72
- D466,638 S \* 12/2002 Poon ..... D26/61

(Continued)

**FOREIGN PATENT DOCUMENTS**

- EP 2868965 A1 5/2015
- JP 2001291419 A 10/2001

(Continued)

**OTHER PUBLICATIONS**

Notice of Non-Final Office Action for corresponding U.S. Appl. No. 15/181,065, dated Sep. 12, 2017, 13 pages.

(Continued)

*Primary Examiner* — Brian N. Vinson

(74) *Attorney, Agent, or Firm* — J. Clinton Wimbish;  
Smith Moore Leatherwood LLP

(57) **CLAIM**

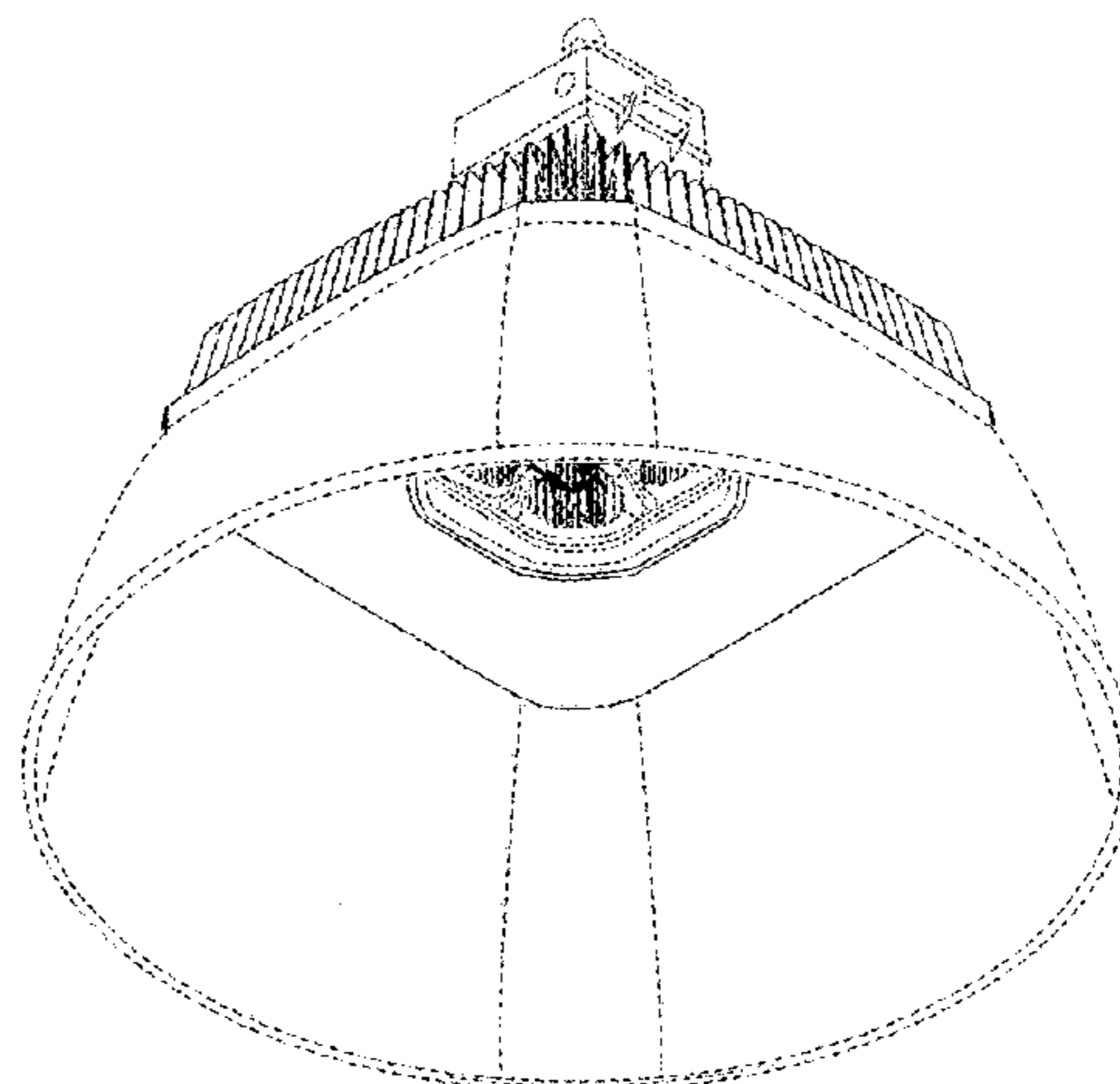
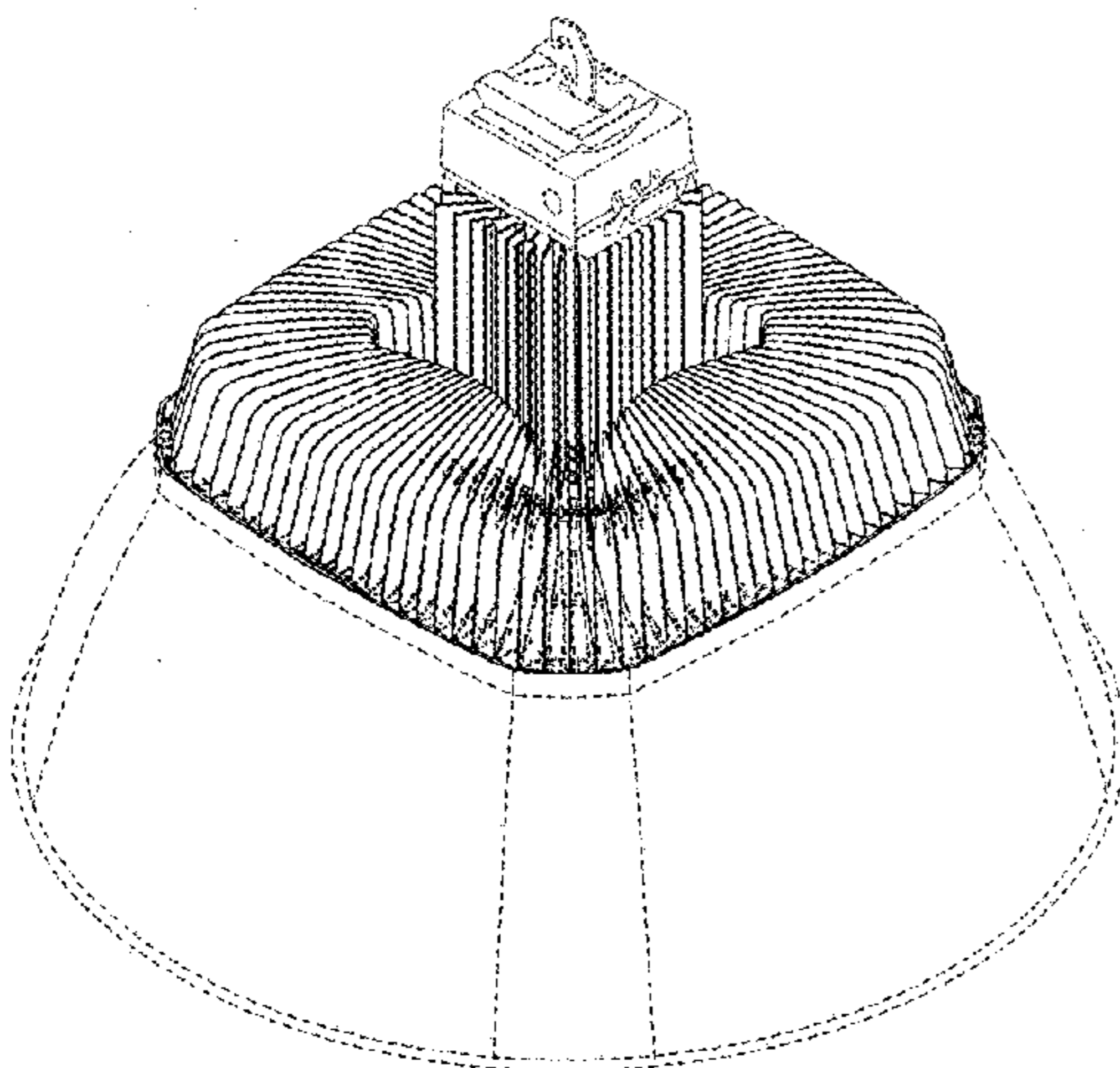
The ornamental design for a lighting apparatus, as shown and described.

**DESCRIPTION**

FIG. 1 is a top perspective view of an ornamental design for a lighting apparatus;  
 FIG. 2 is a bottom perspective view of the lighting apparatus in FIG. 1;  
 FIG. 3 is a front elevation view of the lighting apparatus in FIG. 1;  
 FIG. 4 is a back elevation view of the lighting apparatus in FIG. 1;  
 FIG. 5 is a right side elevation view of the lighting apparatus in FIG. 1;  
 FIG. 6 is a left side elevation view of the lighting apparatus in FIG. 1;  
 FIG. 7 is a top plan view of the lighting apparatus in FIG. 1; and,  
 FIG. 8 is a bottom plan view of the lighting apparatus in FIG. 1.

All broken lines (where present) in all figures illustrate portions of the lighting apparatus that form no part of the claimed design.

**1 Claim, 8 Drawing Sheets**



(58) **Field of Classification Search**  
 CPC ... 29/83; F21V 5/045; F21V 5/04; F21V 7/00  
 See application file for complete search history.

2014/0268730	A1	9/2014	Lui et al.
2014/0268800	A1	9/2014	Castillo et al.
2014/0288830	A1	9/2014	Boyer et al.
2014/0355302	A1	12/2014	Wilcox et al.
2015/0216017	A1	7/2015	Pratt et al.
2015/0226416	A1	8/2015	Tsao
2015/0300624	A1	10/2015	Favarolo et al.
2015/0345770	A1	12/2015	Badley
2016/0047537	A1	2/2016	Stolte et al.
2016/0363300	A1	12/2016	Ma

(56) **References Cited**  
 U.S. PATENT DOCUMENTS

7,871,184	B2	1/2011	Peng	
7,972,036	B1	7/2011	Schach et al.	
8,342,714	B1	1/2013	Rea et al.	
D702,867	S *	4/2014	Kim .....	D26/72
D707,382	S *	6/2014	Ni .....	D26/72
D762,181	S *	7/2016	Lin .....	F21V 29/74 D13/179

2005/0111234	A1	5/2005	Martin et al.
2008/0285271	A1	11/2008	Roberge et al.
2010/0219760	A1	9/2010	Tanaka et al.
2010/0302758	A1	12/2010	Wang
2010/0328952	A1	12/2010	Chen
2012/0112640	A1	5/2012	Maxik et al.
2012/0236575	A1	9/2012	Tsao
2012/0275162	A1	11/2012	Spiro
2013/0044478	A1	2/2013	Steadly
2013/0120963	A1	5/2013	Holland et al.
2013/0242574	A1	9/2013	Guercio et al.
2014/0126220	A1	5/2014	Chen et al.
2014/0199168	A1	7/2014	Spiro

FOREIGN PATENT DOCUMENTS

JP	2011034760	A	2/2011
WO	2014060901	A1	4/2014
WO	2014078907	A1	5/2014
WO	2014175024	A1	10/2014
WO	2015128192	A1	9/2015

OTHER PUBLICATIONS

Notice of Non-Final Office Action for corresponding U.S. Appl. No. 15/018,606 dated Jul. 18, 2017, 14 pages.  
 Notification of Transmittal of the International Search Report and the Written Opinion for corresponding PCT Application No. PCT/US2017/016725, dated Jul. 27, 2017, 20 pages.

\* cited by examiner

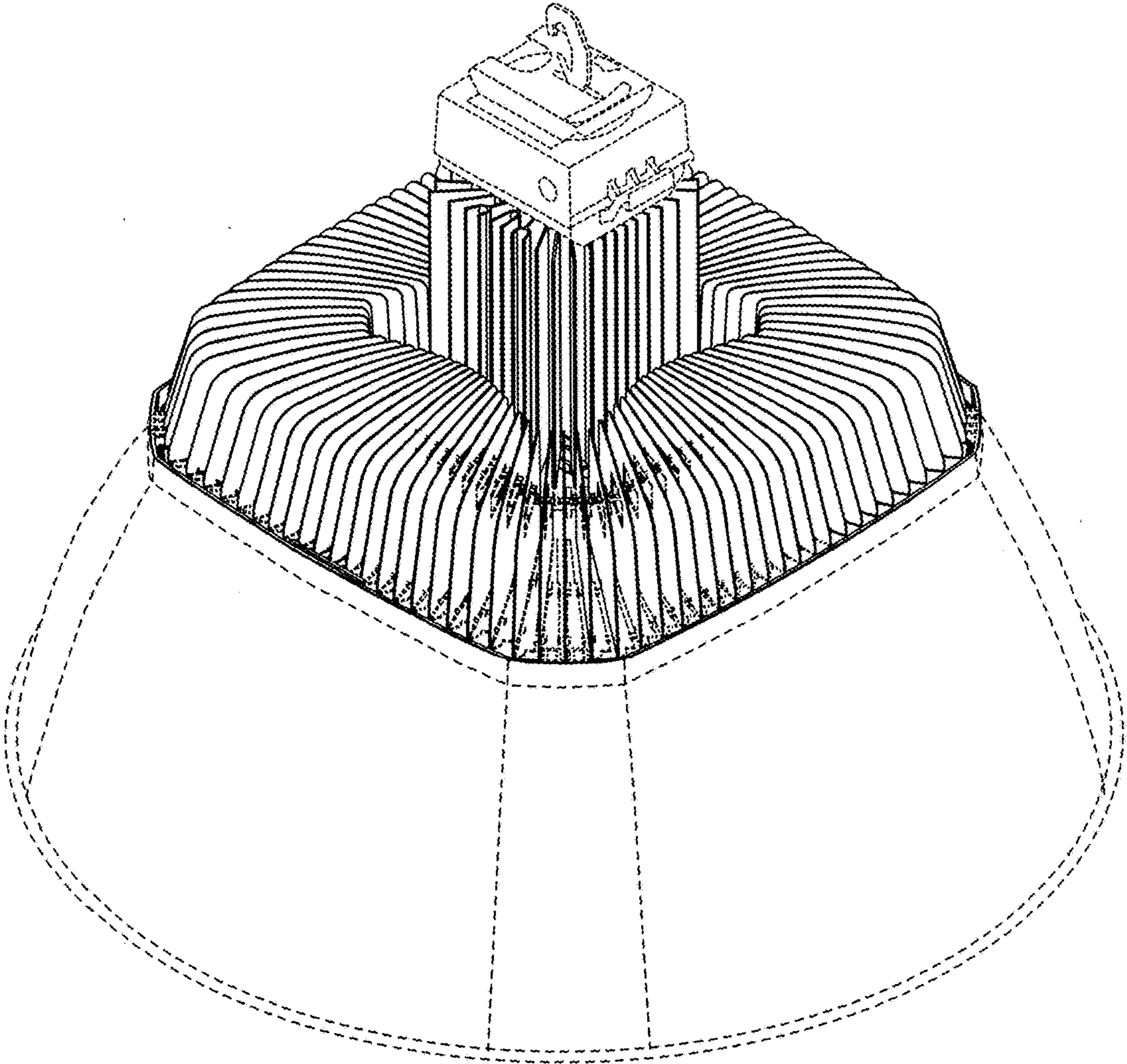


FIG. 1

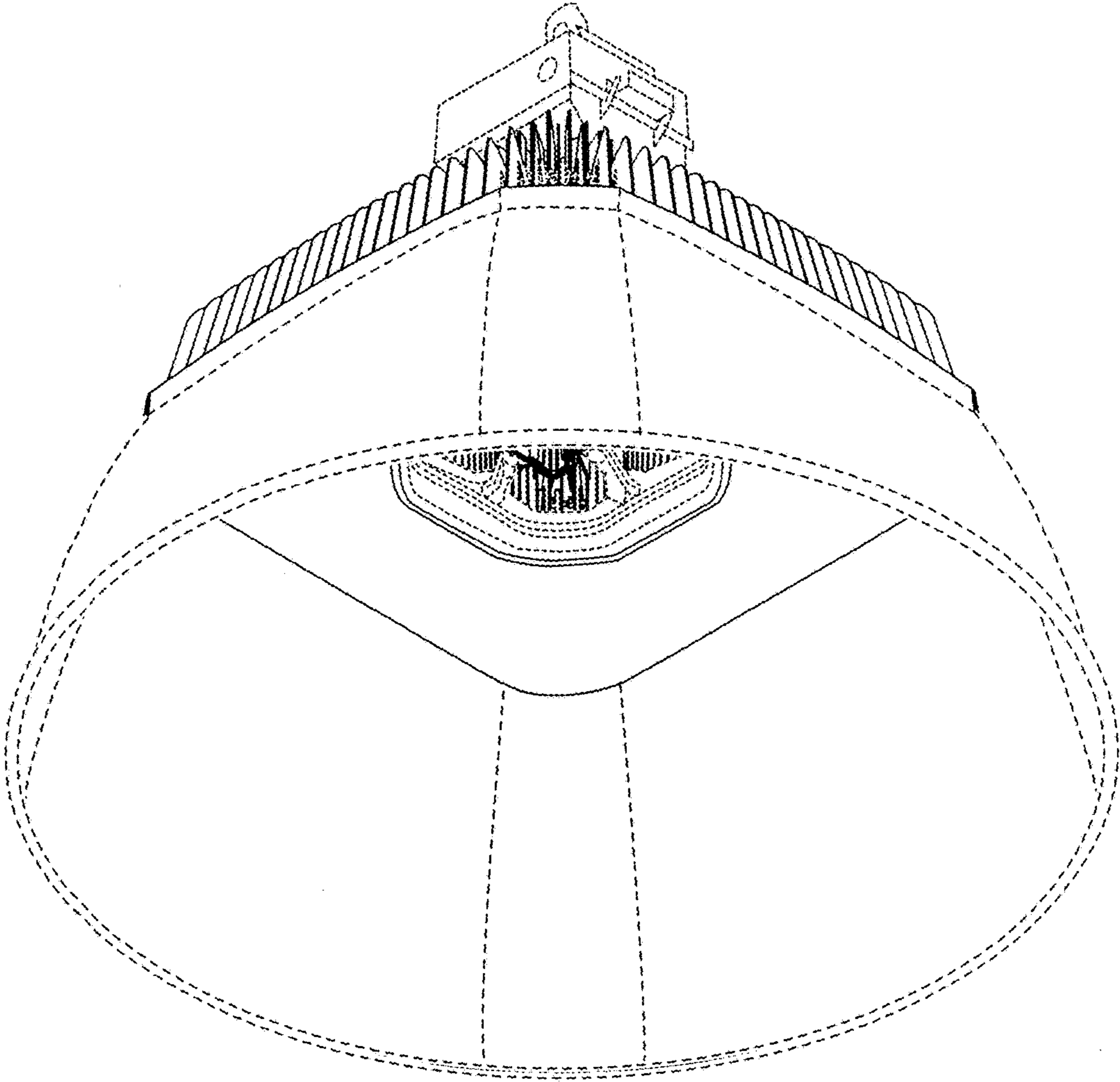


FIG. 2

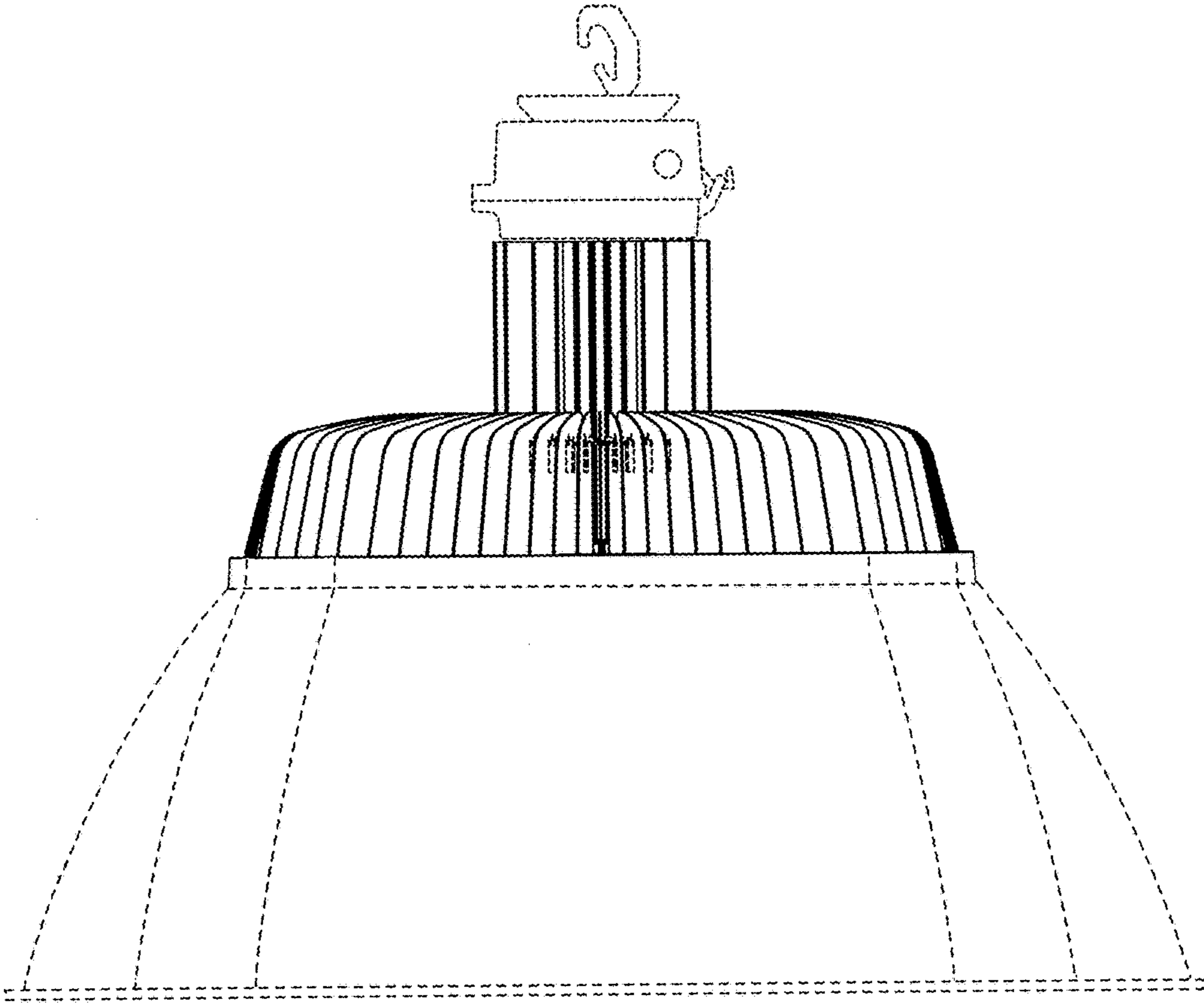


FIG. 3

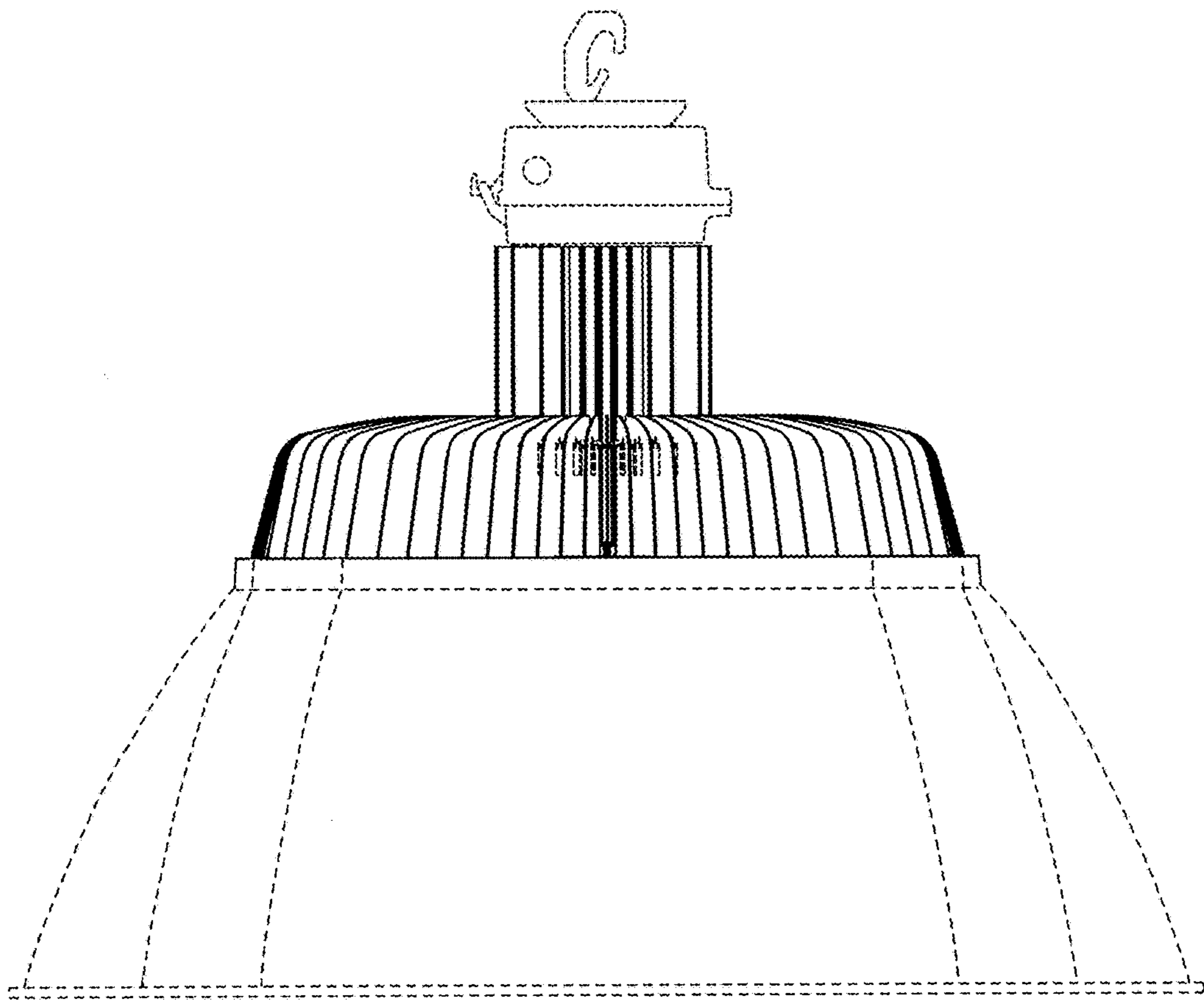


FIG. 4

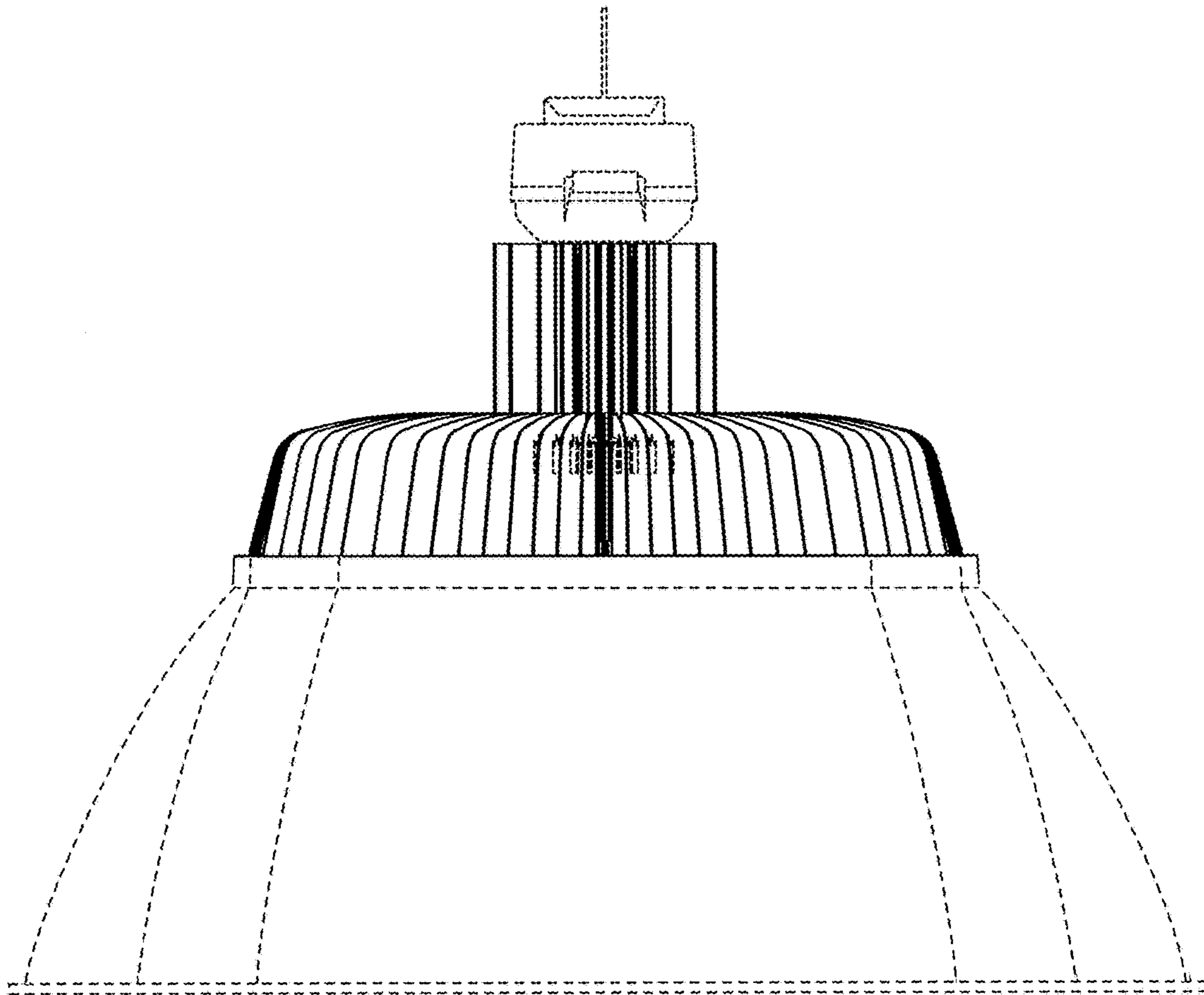


FIG. 5

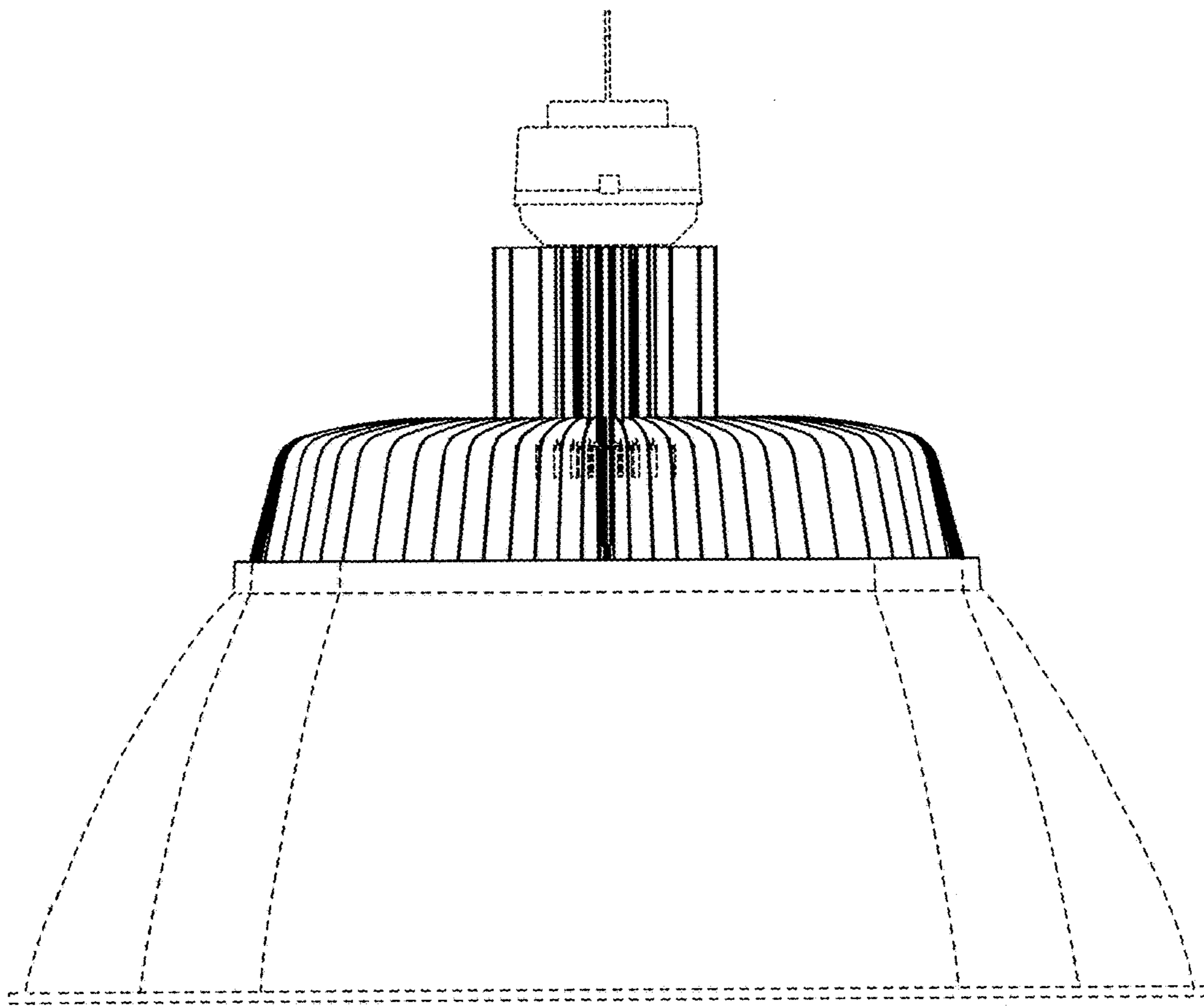


FIG. 6



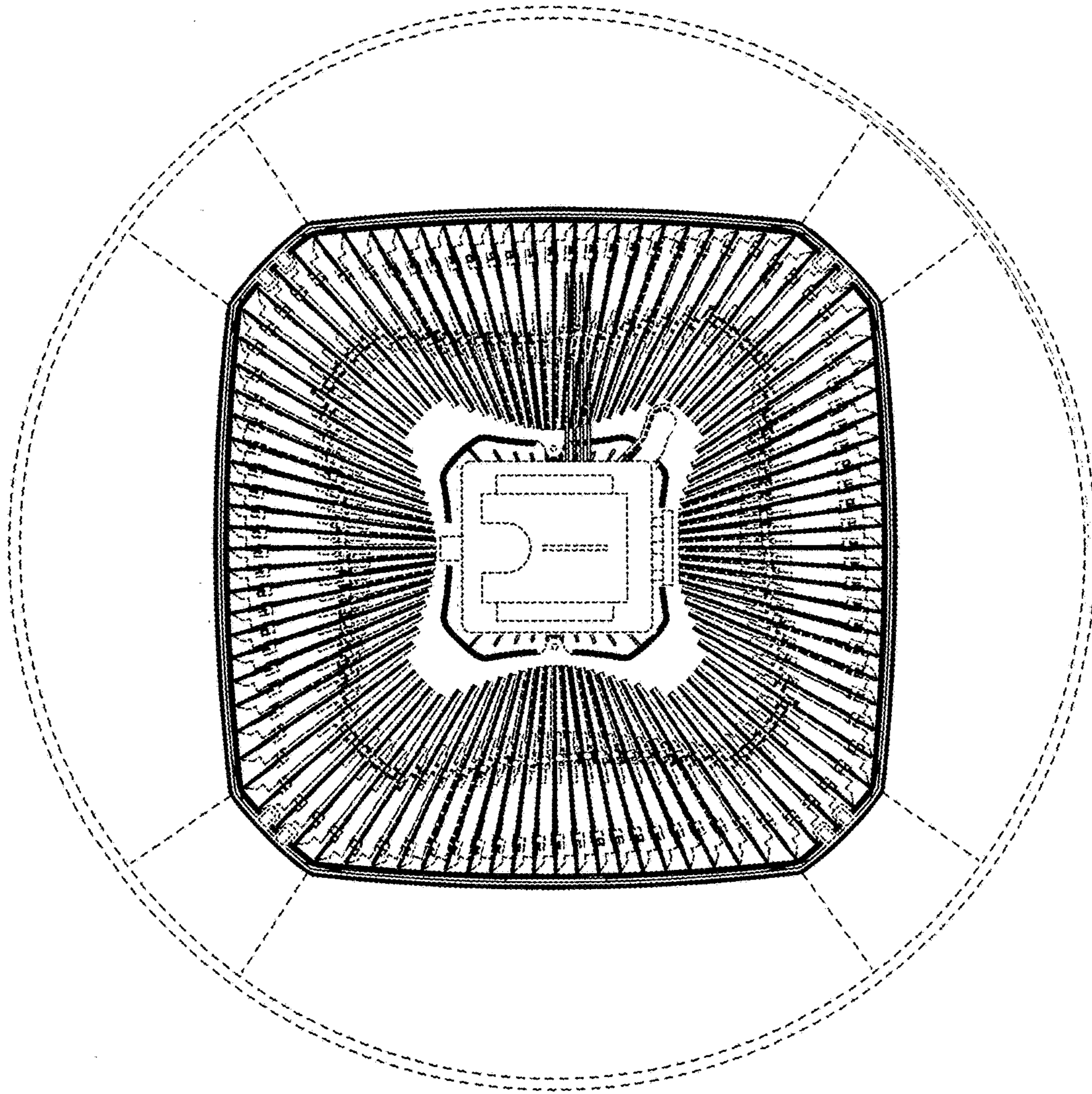


FIG. 7

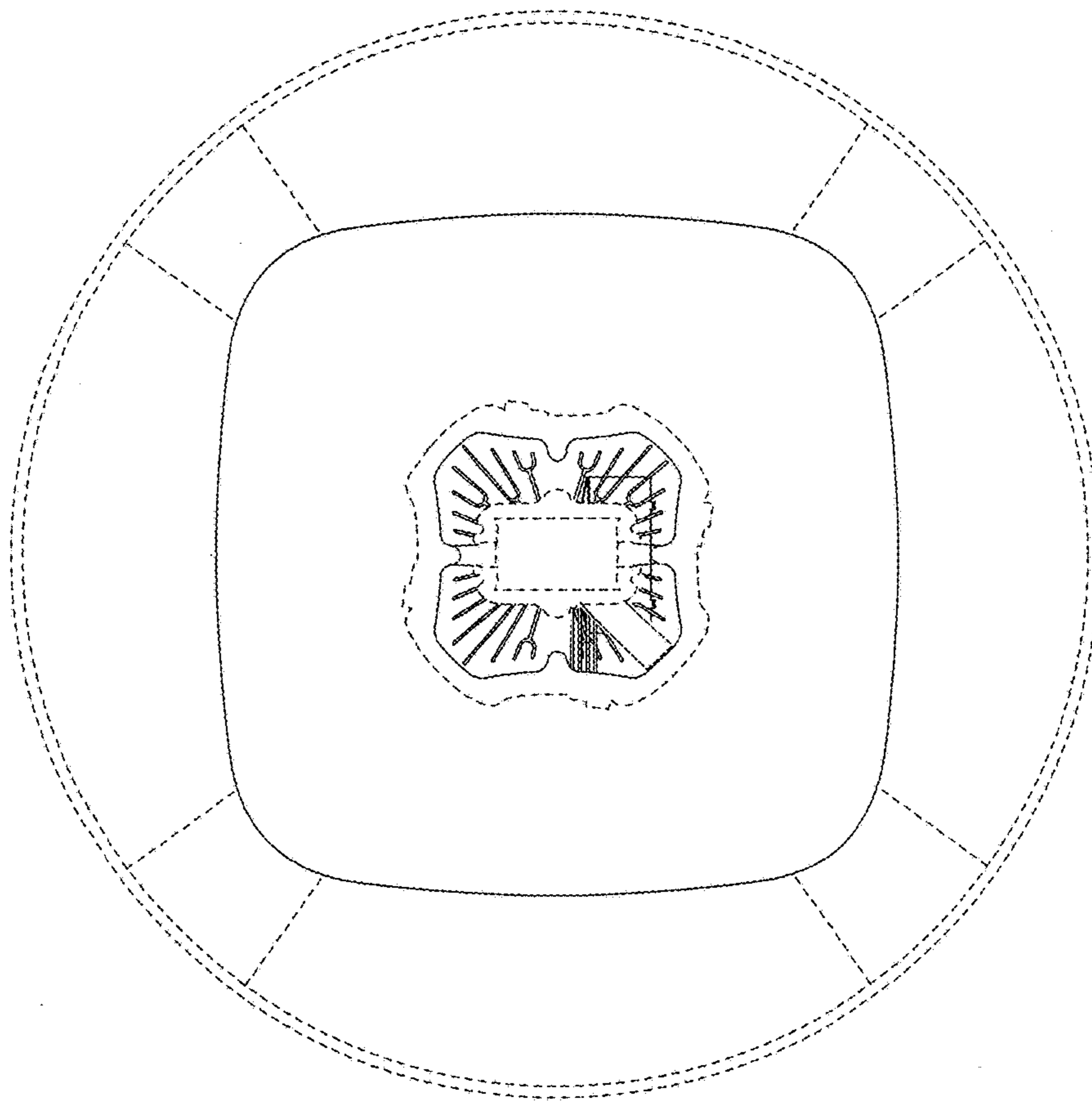


FIG. 8