



US00D812803S

(12) **United States Design Patent**
Mou

(10) **Patent No.:** **US D812,803 S**
(45) **Date of Patent:** **** Mar. 13, 2018**

(54) **LIGHT-EMITTING DIODE FLOOR LAMP**

(71) Applicant: **NINGBO ROYALUX LIGHTING CO., LTD.**, Ningbo, Zhejiang (CN)

(72) Inventor: **Jinhong Mou**, Zhejiang (CN)

(73) Assignee: **NINGBO ROYALUX LIGHTING CO., LTD.**, Ningbo, Zhejiang (CN)

(**) Term: **15 Years**

(21) Appl. No.: **29/568,396**

(22) Filed: **Jun. 17, 2016**

(30) **Foreign Application Priority Data**

Mar. 18, 2016 (CN) 2016 3 0086739

(51) **LOC (11) Cl.** **26-05**

(52) **U.S. Cl.**
USPC **D26/110**

(58) **Field of Classification Search**
USPC D10/111–114.9; D14/473; D25/126,
D25/129; D26/1, 23, 24, 60–66, 93, 101,
D26/104–110, 112, 113, 118, 120, 144,
D26/154, 128, 142

CPC F21S 6/00; F21S 6/002; F21S 6/003; F21S
6/004; F21S 6/005; F21S 6/006; F21S
6/008; F21V 21/02; F21V 21/08; F21W
2131/30

See application file for complete search history.

(56) **References Cited**

U.S. PATENT DOCUMENTS

- D193,206 S * 7/1962 Guggemos D26/68
- D239,969 S * 5/1976 Whatley D25/128
- D309,786 S * 8/1990 Chien D26/67
- D338,080 S * 8/1993 Elazari D26/68
- D341,221 S * 11/1993 Elazari D26/68
- D372,999 S * 8/1996 Swanson D26/110
- D377,229 S * 1/1997 Shalvi D26/104
- D469,563 S * 1/2003 Irvine D26/108

- D580,090 S * 11/2008 Kubler D26/105
- D628,338 S * 11/2010 Sabernig D26/65
- D698,066 S * 1/2014 Sooferian D26/68

(Continued)

OTHER PUBLICATIONS

Pole Lamp Garden Light (available online) Retrieved from the internet Jun. 13, 2017, retrieved from the internet URL: <http://nbroyalux.gmc.globalmarket.com/products/details/popular-out-door-pole-lamp-garden-lights-48led-3014-smd-max-4-5w-320lm-9036130.html>.*

(Continued)

Primary Examiner — Garth Rademaker

Assistant Examiner — Richard Kearney

(74) *Attorney, Agent, or Firm* — U.S. Fairsky LLP; Yue Xu

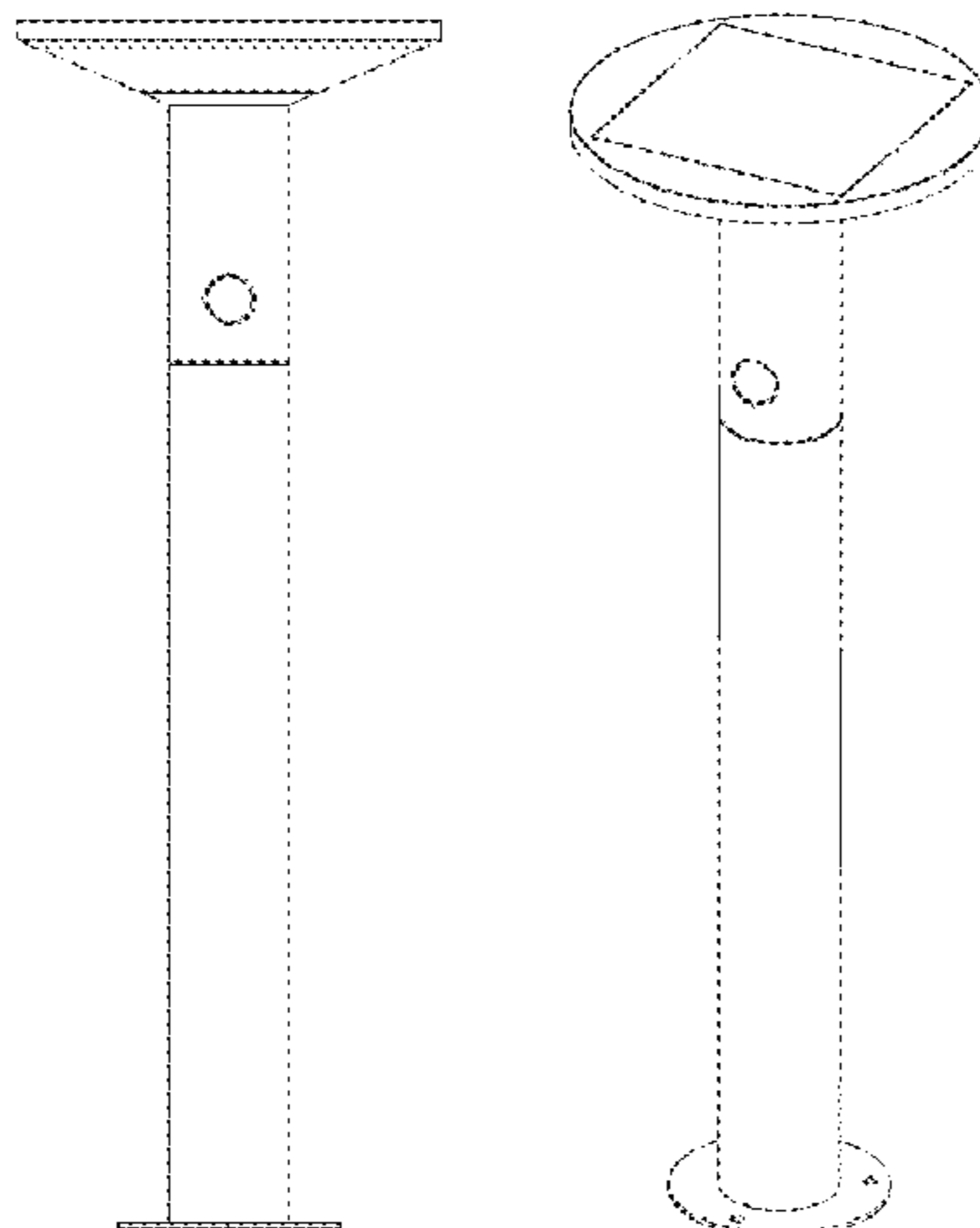
(57) **CLAIM**

The ornamental design for a light-emitting diode floor lamp, as shown and described.

DESCRIPTION

FIG. 1 is a front view of a light-emitting diode floor lamp according to the present application; FIG. 2 is a rear view of the light-emitting diode floor lamp according to the present application; FIG. 3 is a left view of the light-emitting diode floor lamp according to the present application; FIG. 4 is a right view of the light-emitting diode floor lamp according to the present application; FIG. 5 is a top view of the light-emitting diode floor lamp according to the present application; FIG. 6 is a bottom view of the light-emitting diode floor lamp according to the present application; and, FIG. 7 is a perspective view of the light-emitting diode floor lamp according to the present application. The broken lines in the drawings depict portions of the light-emitting diode floor lamp that form no part of the claimed design.

1 Claim, 7 Drawing Sheets



(56)

References Cited

U.S. PATENT DOCUMENTS

D780,982 S * 3/2017 Starck D26/93

OTHER PUBLICATIONS

Zoomi Seta Floor lamp (available online) Retrieved from the internet Jun. 13, 2017, retrieved from the internet URL: <https://www.bol.com/nl/p/zoomoi-seta-staande-lamp-aluminium/9200000040668823/?country=BE>.*

Garden Lamp Post (available online) Retrieved from the internet Jun. 13, 2017, retrieved from the internet URL: <http://www.archiexpo.com/prod/faro-barcelona/product-68448-790860.html>.*

* cited by examiner

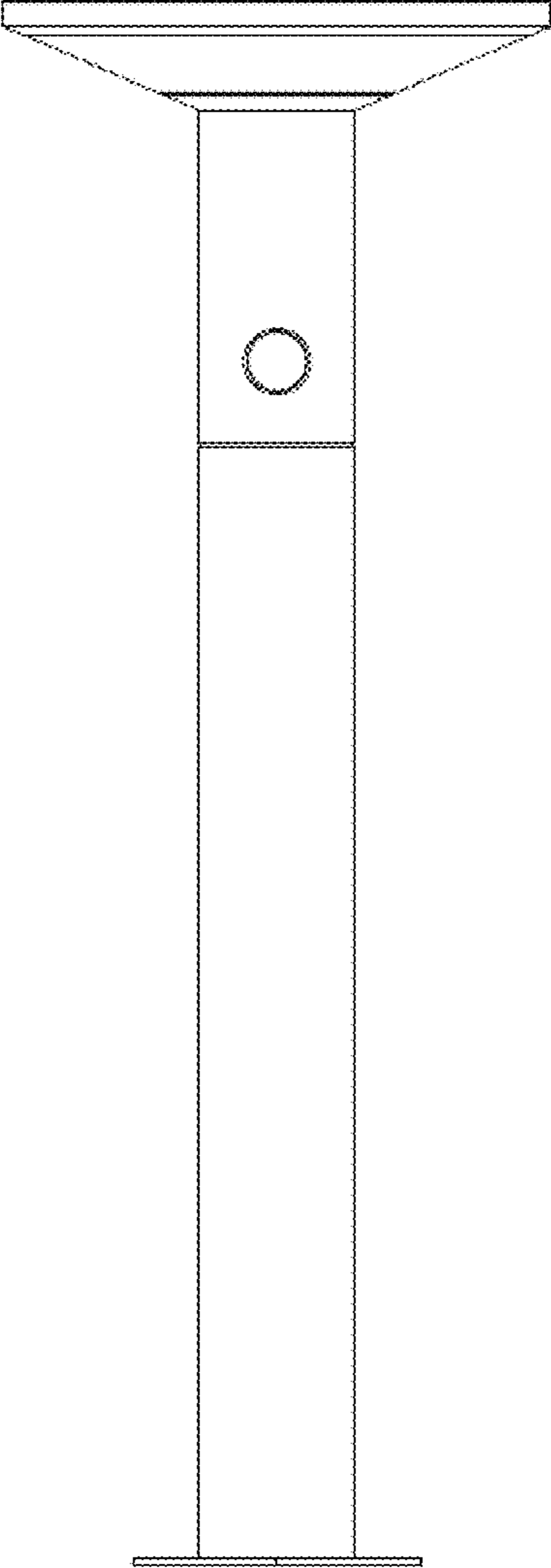


Figure 1

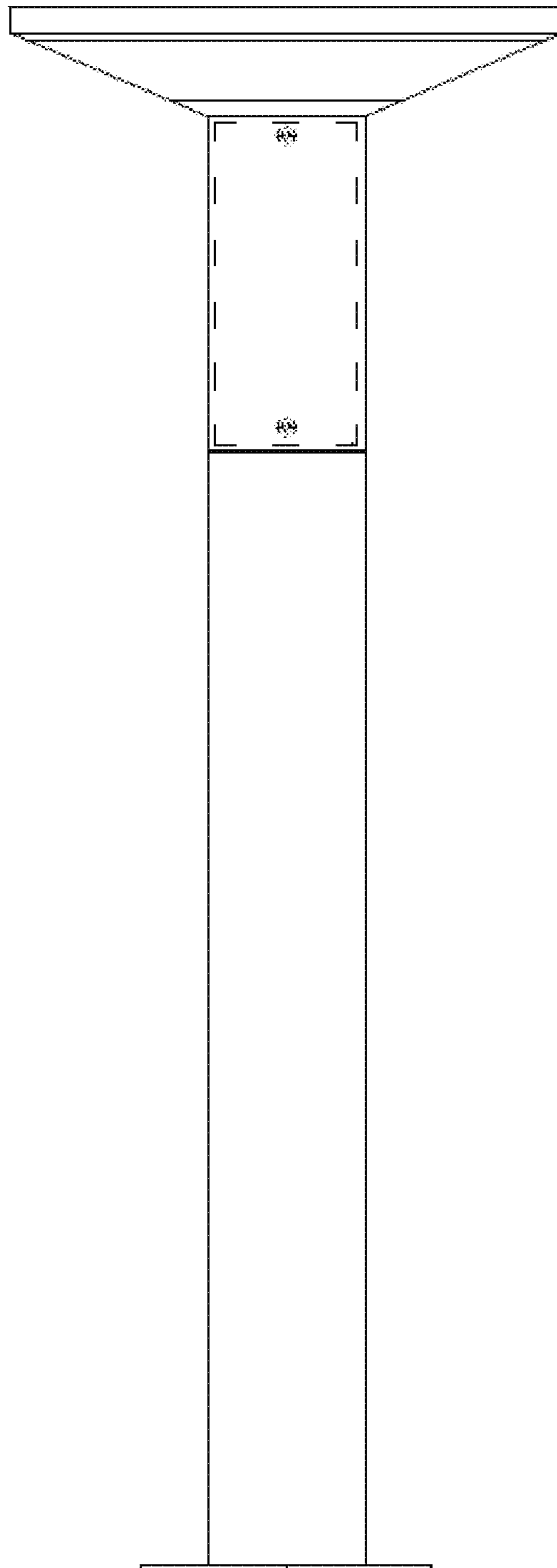


Figure 2

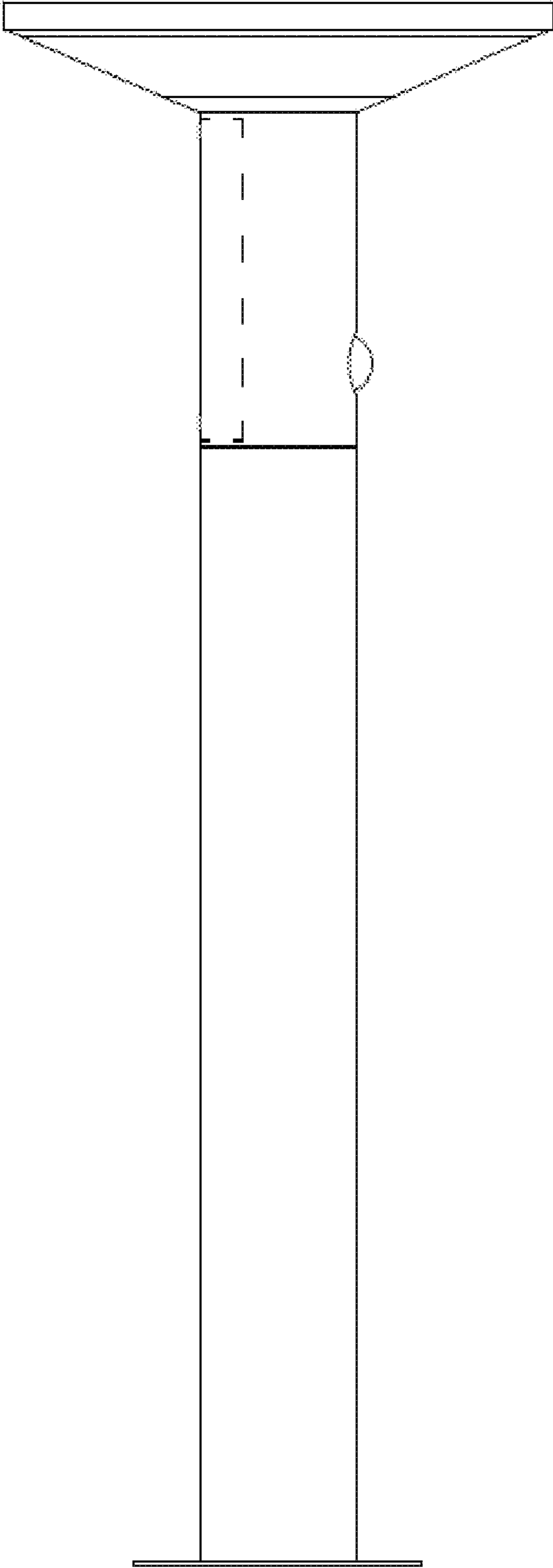


Figure 3

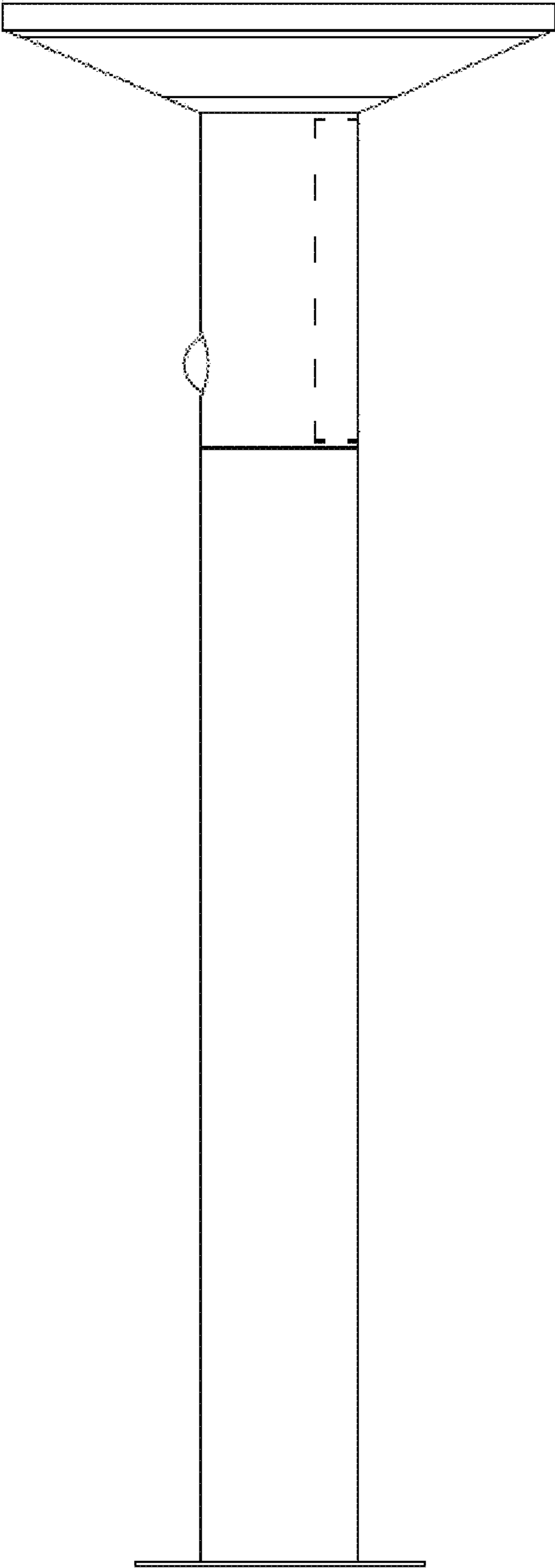


Figure 4

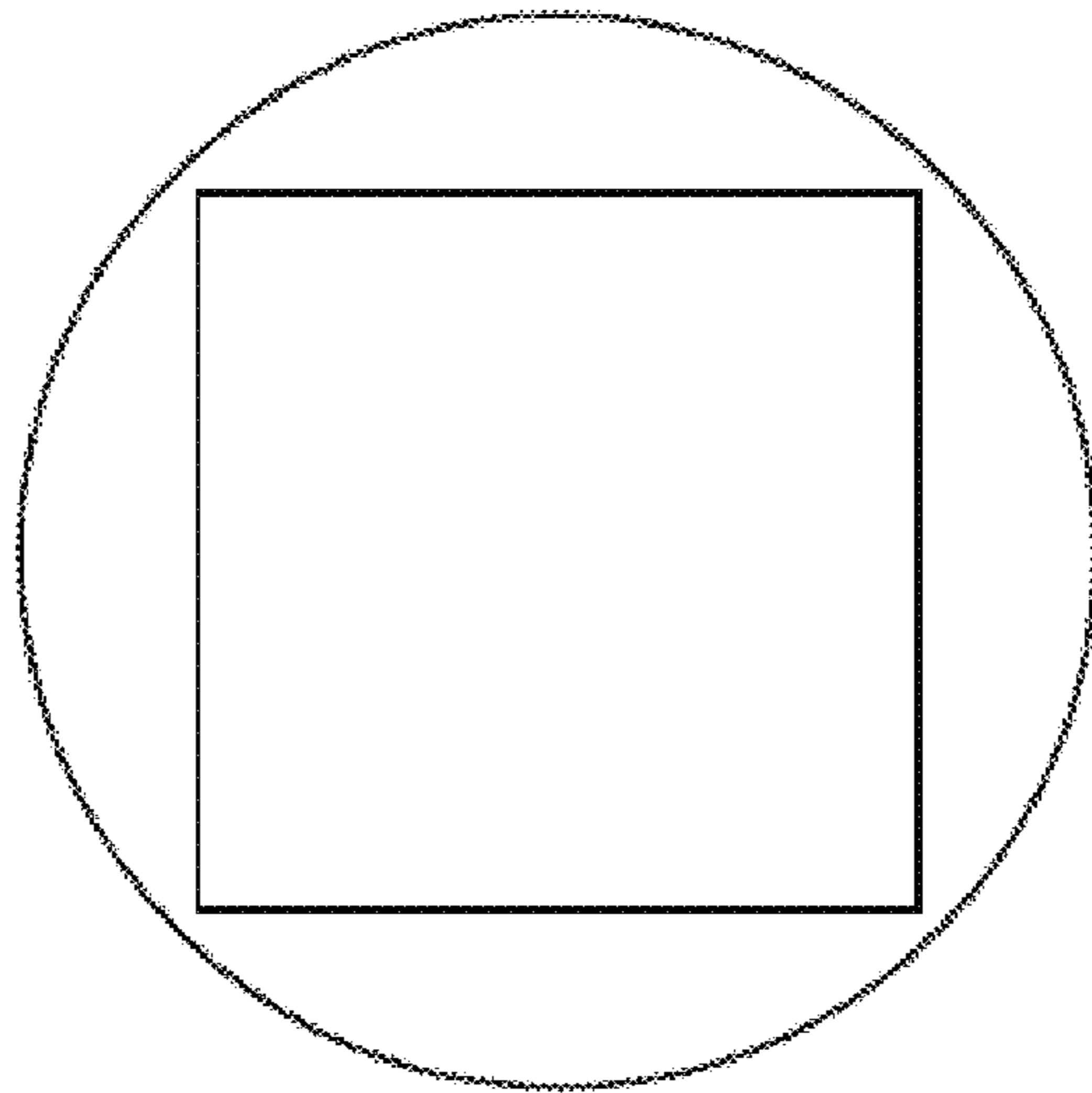


Figure 5

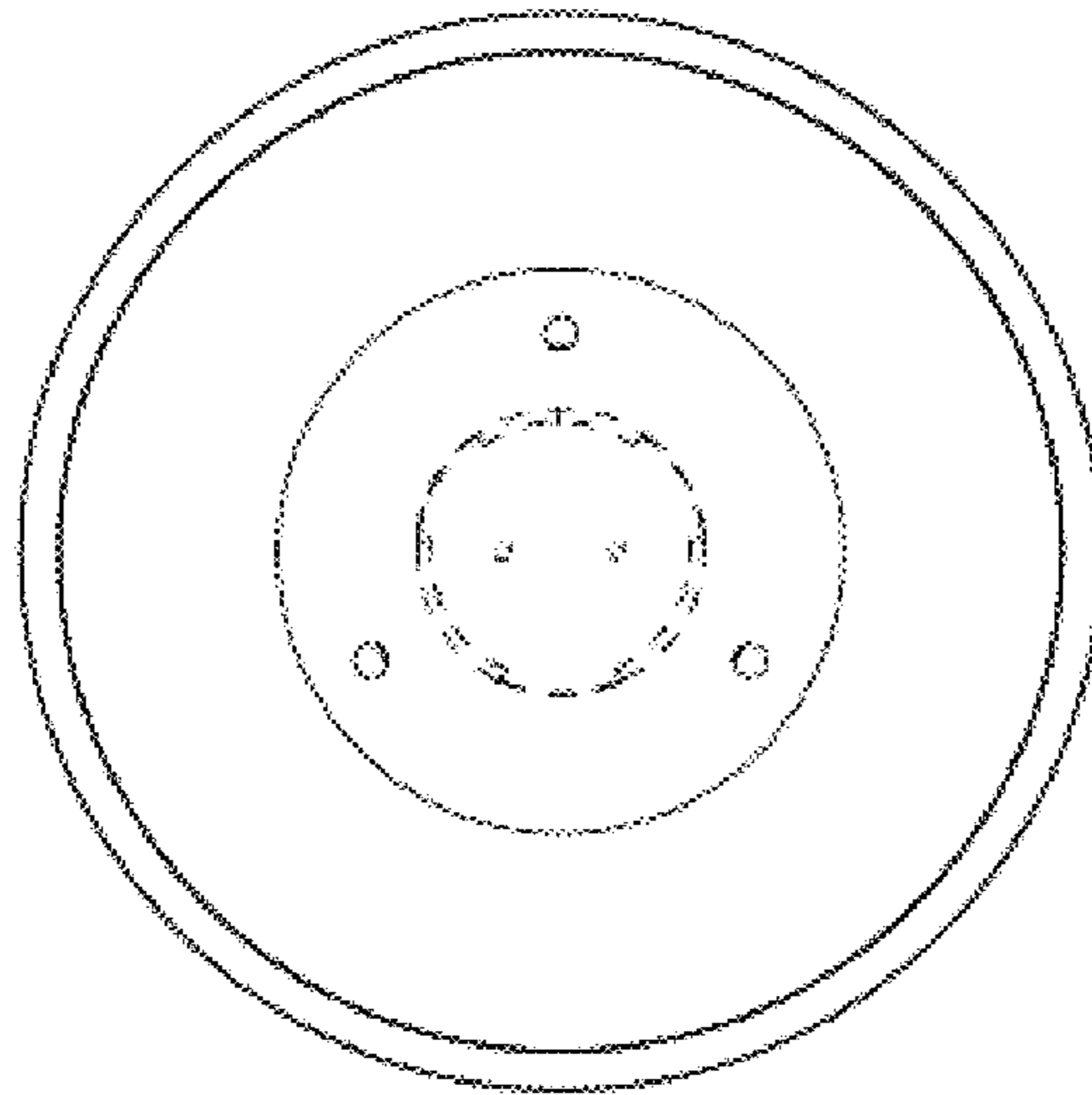


Figure 6

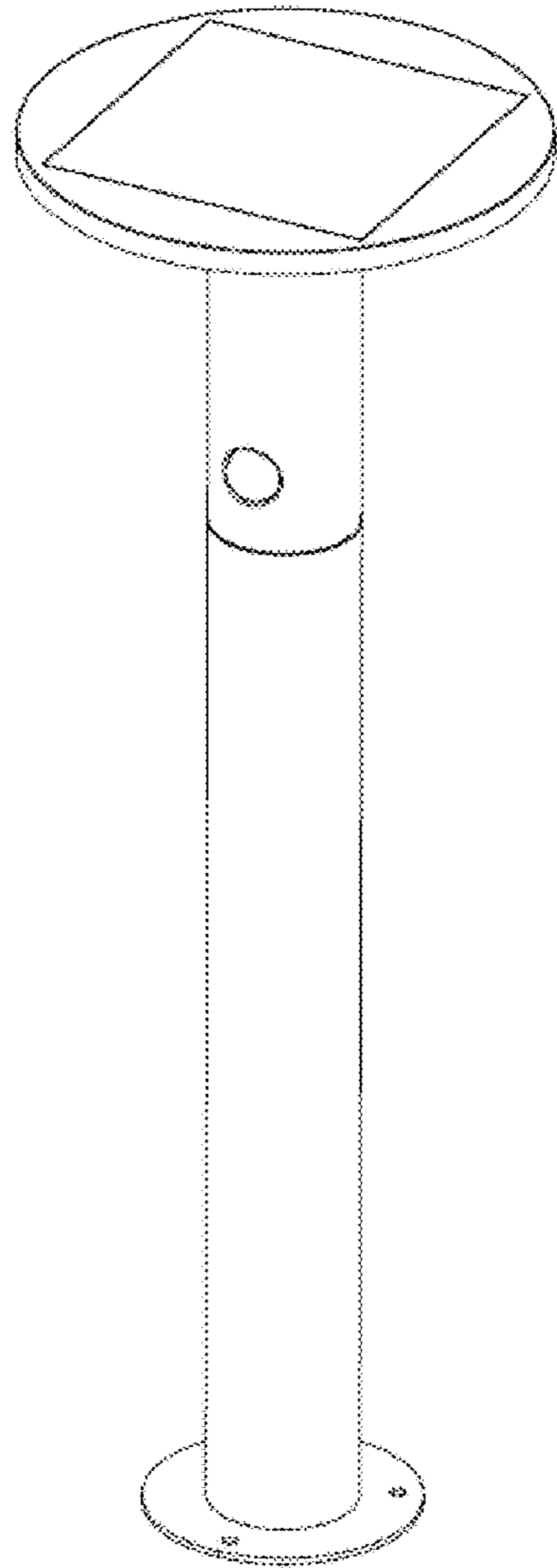


Figure 7