



US00D812802S

(12) **United States Design Patent**
Garrett et al.

(10) **Patent No.:** **US D812,802 S**
(45) **Date of Patent:** **** Mar. 13, 2018**

- (54) **SUSPENDED ARC-SHAPED LUMINAIRE**
- (71) Applicants: **Bradley Garrett**, Evergreen, CO (US);
Travis Boyle, Denver, CO (US);
Alexander Ross, Aurora, CO (US);
William Getzinger, Conifer, CO (US);
John Leon, Parker, CO (US)
- (72) Inventors: **Bradley Garrett**, Evergreen, CO (US);
Travis Boyle, Denver, CO (US);
Alexander Ross, Aurora, CO (US);
William Getzinger, Conifer, CO (US);
John Leon, Parker, CO (US)

D588,739	S	*	3/2009	Janssen	D26/76
D654,208	S	*	2/2012	Marquardt	D26/90
D669,625	S	*	10/2012	Herremans	D26/90
D703,361	S	*	4/2014	Kondou	D26/90
D711,040	S	*	8/2014	Huang	D26/120
D711,584	S	*	8/2014	Parker	D26/120
D735,928	S	*	8/2015	Hawkins	D26/120
D745,735	S	*	12/2015	Tran	D26/80
2010/0321953	A1	*	12/2010	Coleman	F21S 8/04 362/607
2013/0155716	A1	*	6/2013	Chen	G02B 6/0001 362/555
2014/0126193	A1	*	5/2014	Dixon	F21S 8/063 362/217.02

(Continued)

(73) Assignee: **COOPER TECHNOLOGIES COMPANY**, Houston, TX (US)

(**) Term: **15 Years**

(21) Appl. No.: **29/562,202**

(22) Filed: **Apr. 22, 2016**

(51) **LOC (11) Cl.** **26-03**

(52) **U.S. Cl.**
USPC **D26/90; D26/88**

(58) **Field of Classification Search**
USPC D26/72, 76, 88, 90, 118, 120; D16/135
CPC ... F21V 7/04; F21S 8/061; F21S 8/063; F21S
8/068; F21K 9/272; F21K 9/61
See application file for complete search history.

(56) **References Cited**

U.S. PATENT DOCUMENTS

D31,763	S	*	10/1899	Locke	D26/120
2,490,191	A	*	12/1949	Baker	F21S 8/04 362/223
2,744,190	A	*	5/1956	Kilemnik	F21V 3/00 362/223
3,267,276	A	*	8/1966	Hasler	F21S 8/068 362/294
D444,262	S	*	6/2001	Eberlein	D26/118
D477,105	S	*	7/2003	Herst	D26/76

OTHER PUBLICATIONS

LEDs magazine article "Eaton delivers curved LED-lit..scheme".
Published Mar. 15, 2017. (6 pages).*

Primary Examiner — Clare E Heflin

(74) *Attorney, Agent, or Firm* — King & Spalding LLP

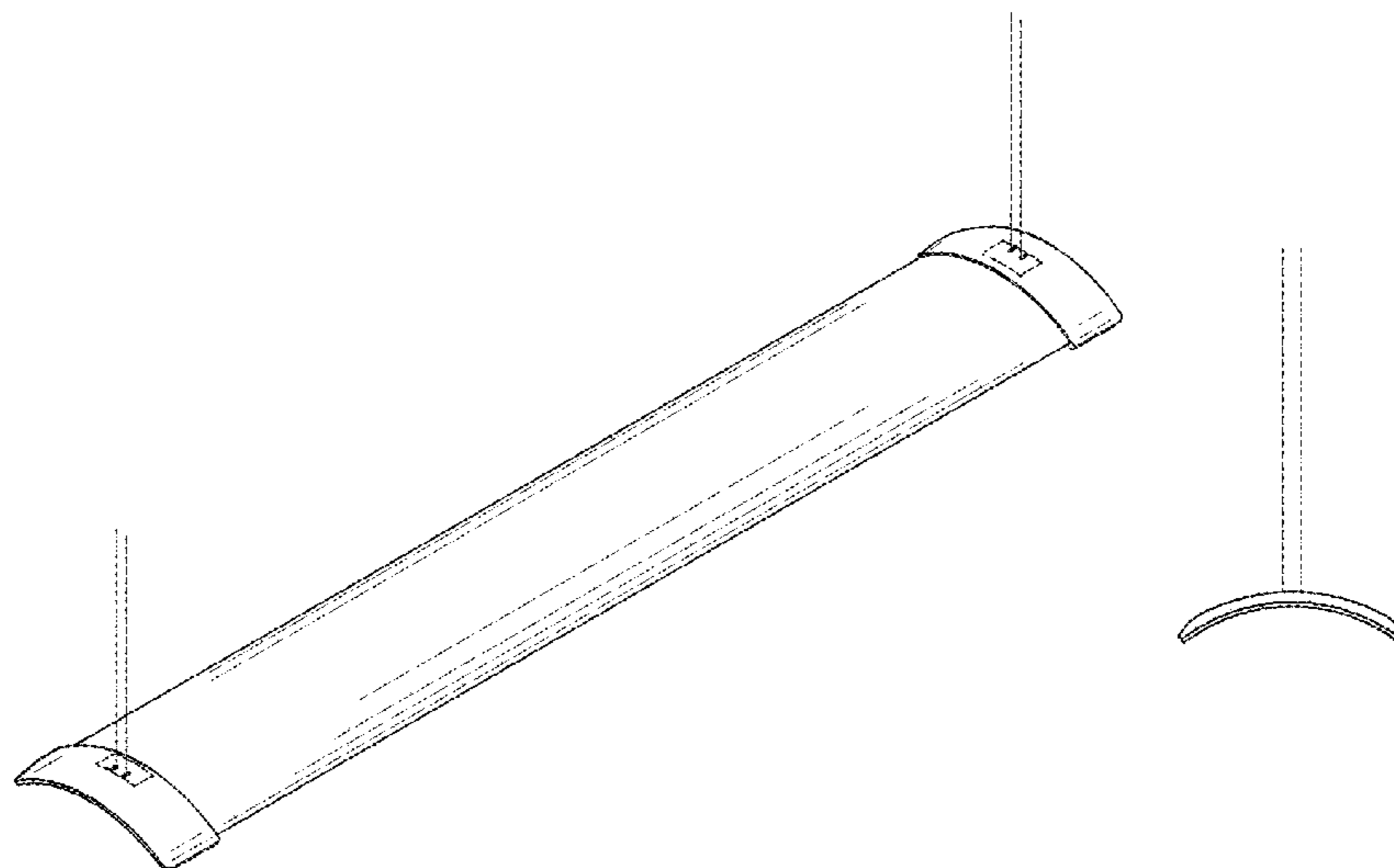
(57) **CLAIM**

The ornamental design for a suspended arc-shaped luminaire, as shown and described.

DESCRIPTION

FIG. 1 is a top perspective view of a suspended arc-shaped luminaire, showing our new design;
FIG. 2 is a bottom perspective view thereof;
FIG. 3 is a top view thereof;
FIG. 4 is a bottom view thereof;
FIG. 5 is a front view thereof;
FIG. 6 is a rear view thereof;
FIG. 7 is a left side view thereof; and,
FIG. 8 is a right side view thereof.
The broken lines shown in the figures illustrate portions of the suspended arc-shaped luminaire that form no part of the claimed design.

1 Claim, 5 Drawing Sheets



(56)

References Cited

U.S. PATENT DOCUMENTS

2015/0138829 A1* 5/2015 Jang G02B 6/0016
362/606

* cited by examiner

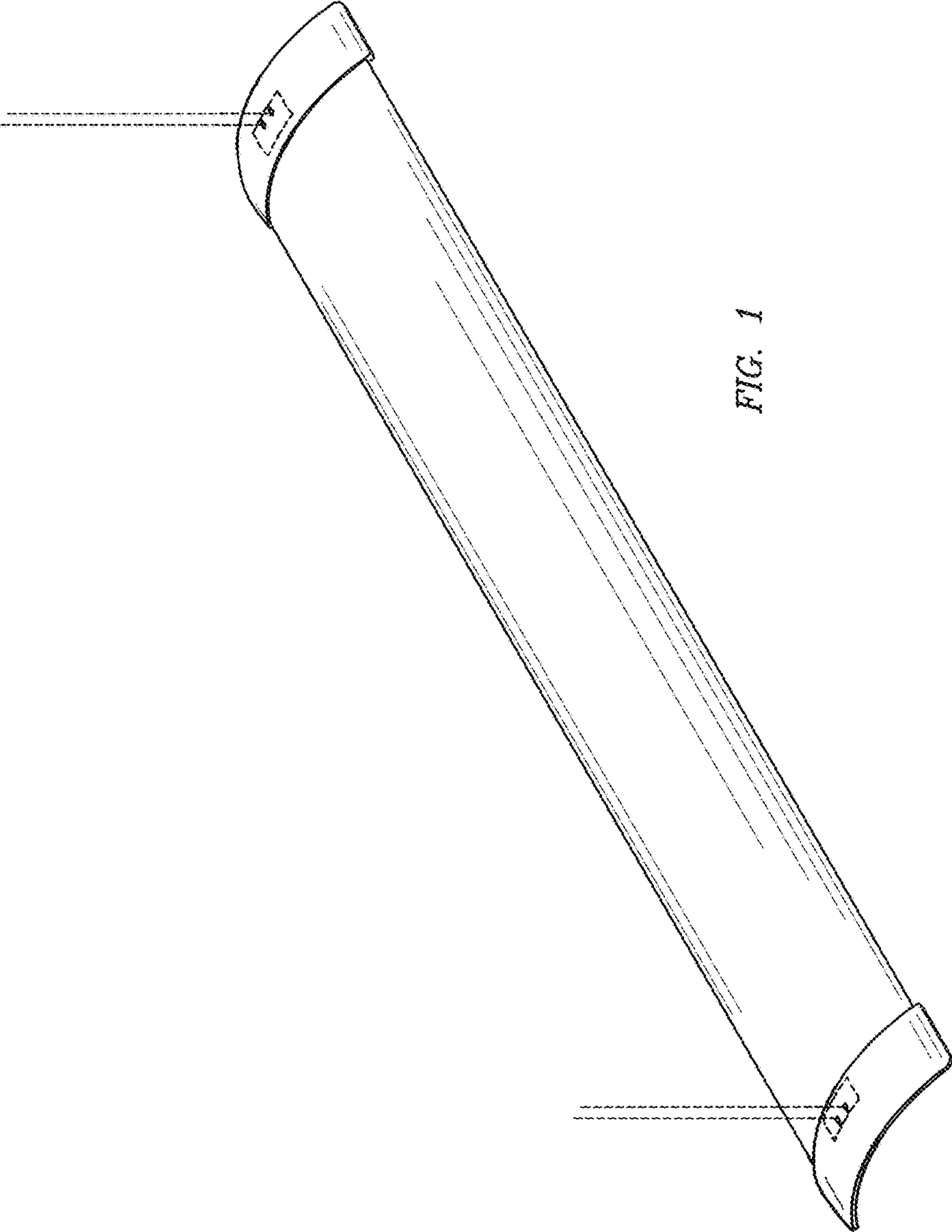


FIG. 1

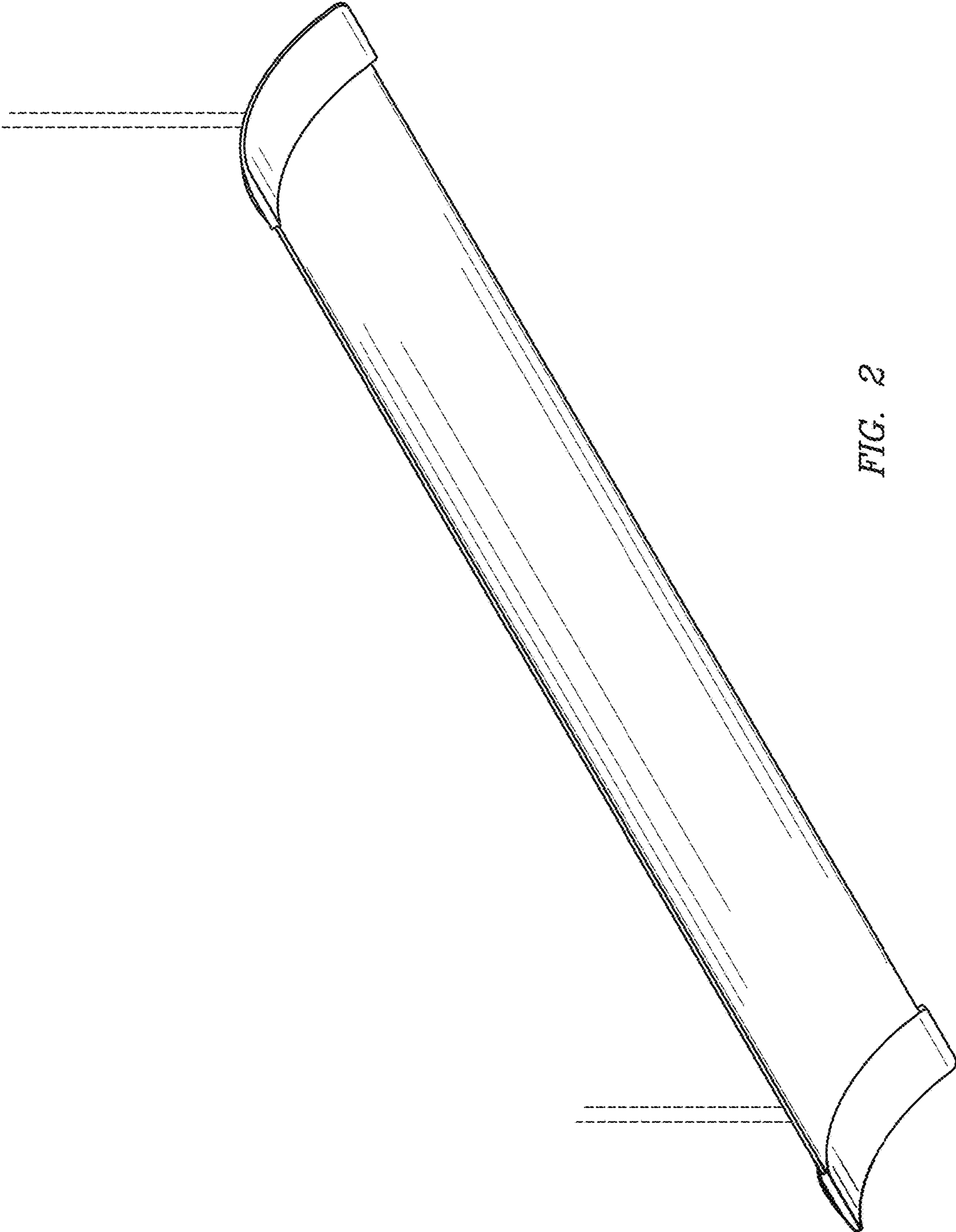


FIG. 2

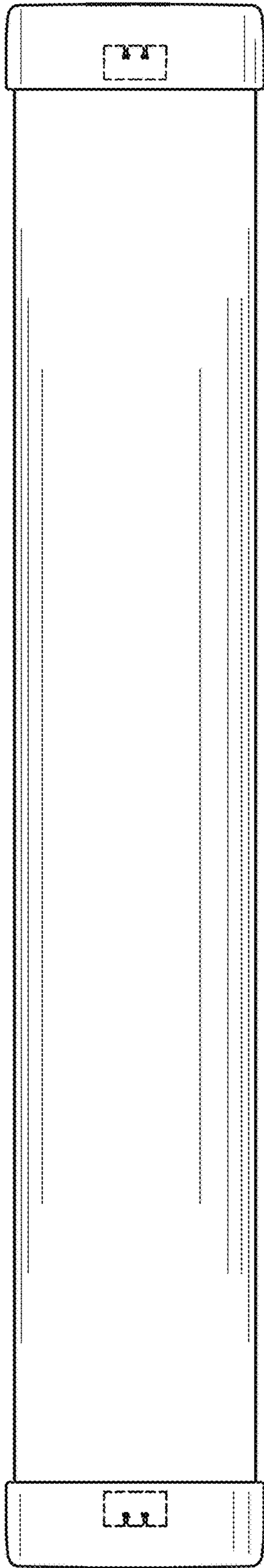


FIG. 3

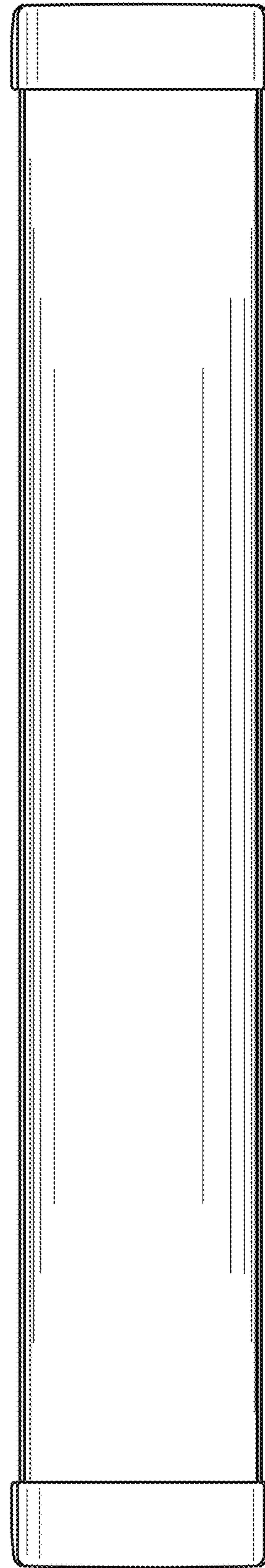


FIG. 4

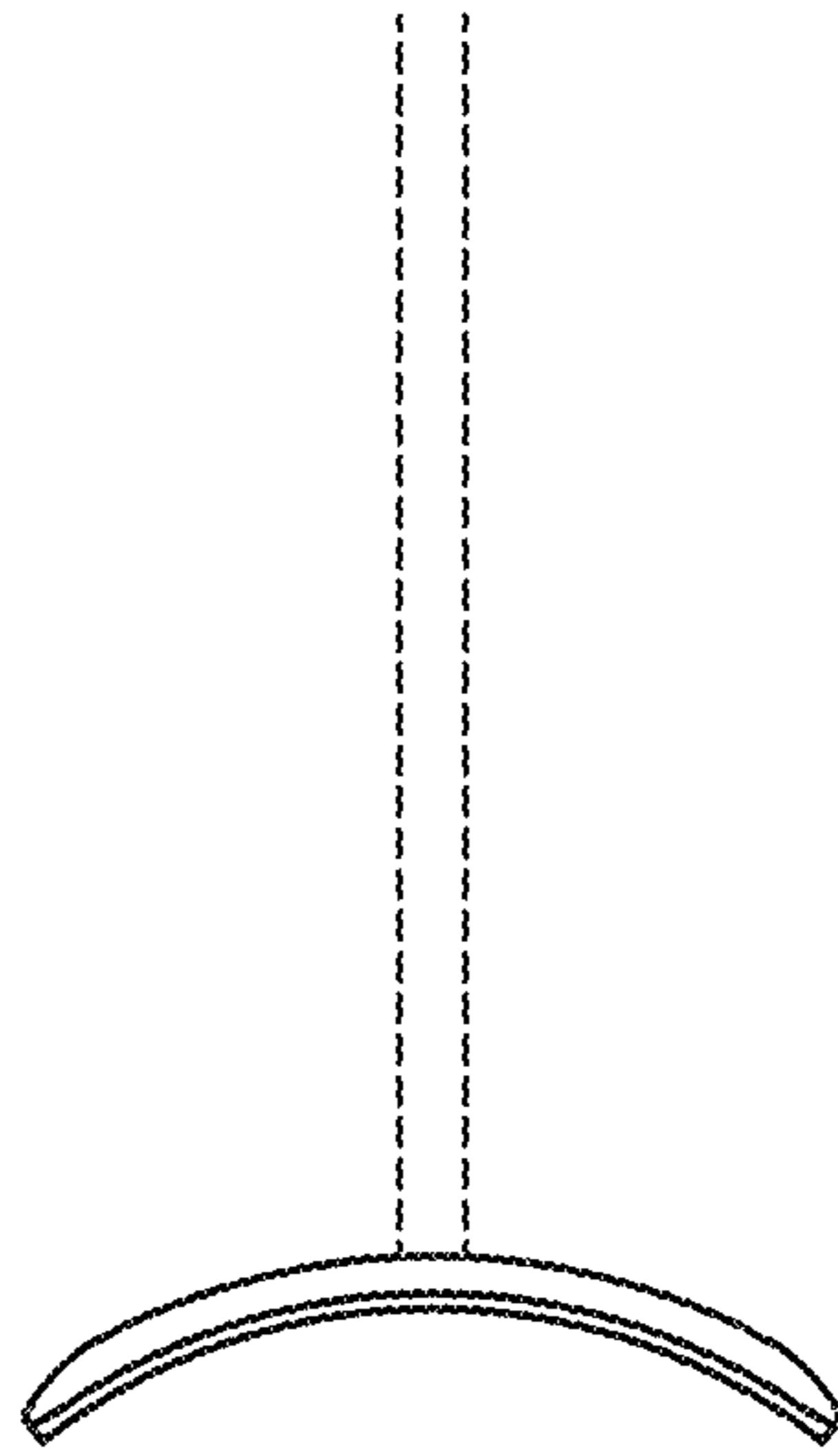


FIG. 5

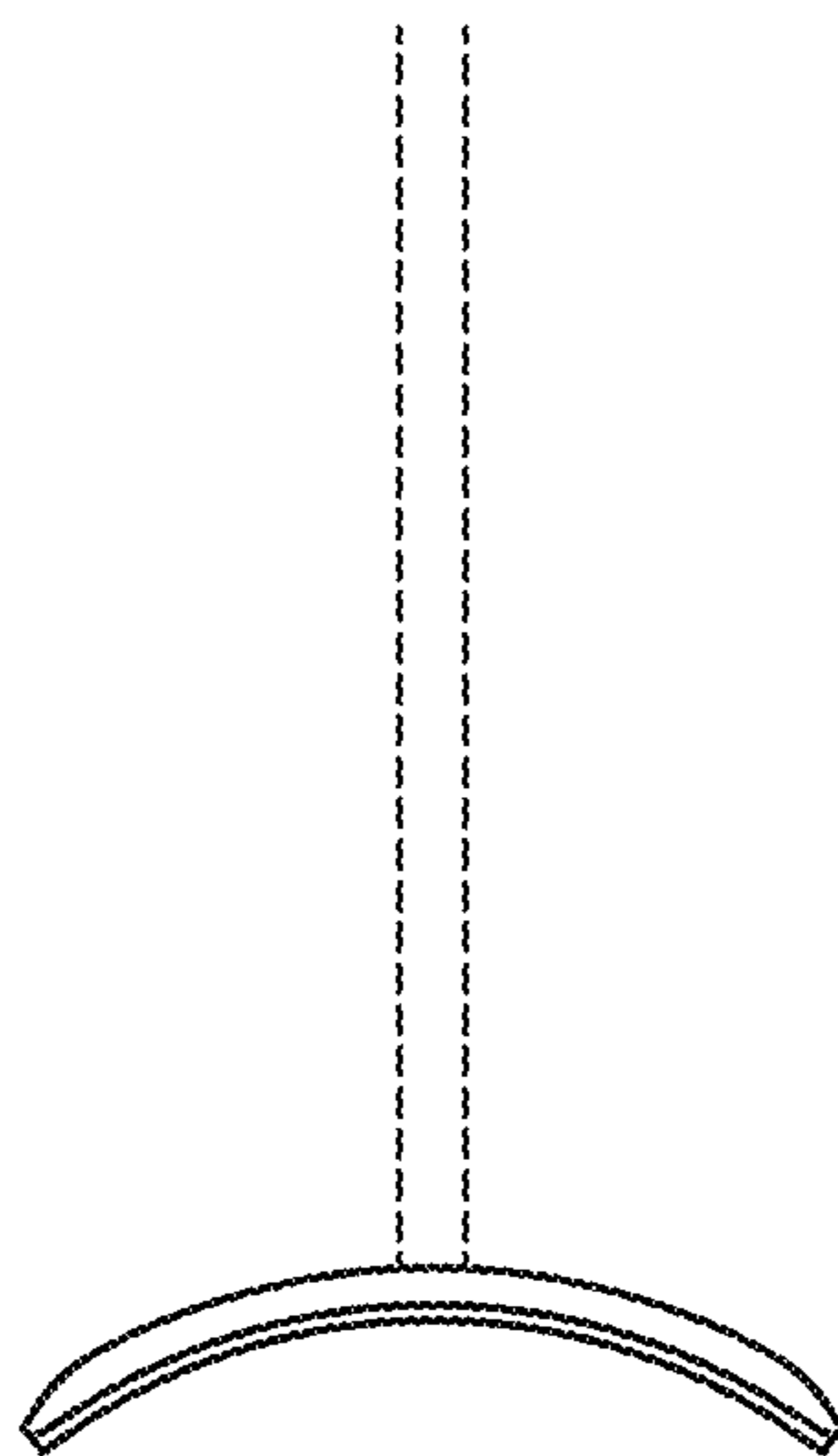


FIG. 6

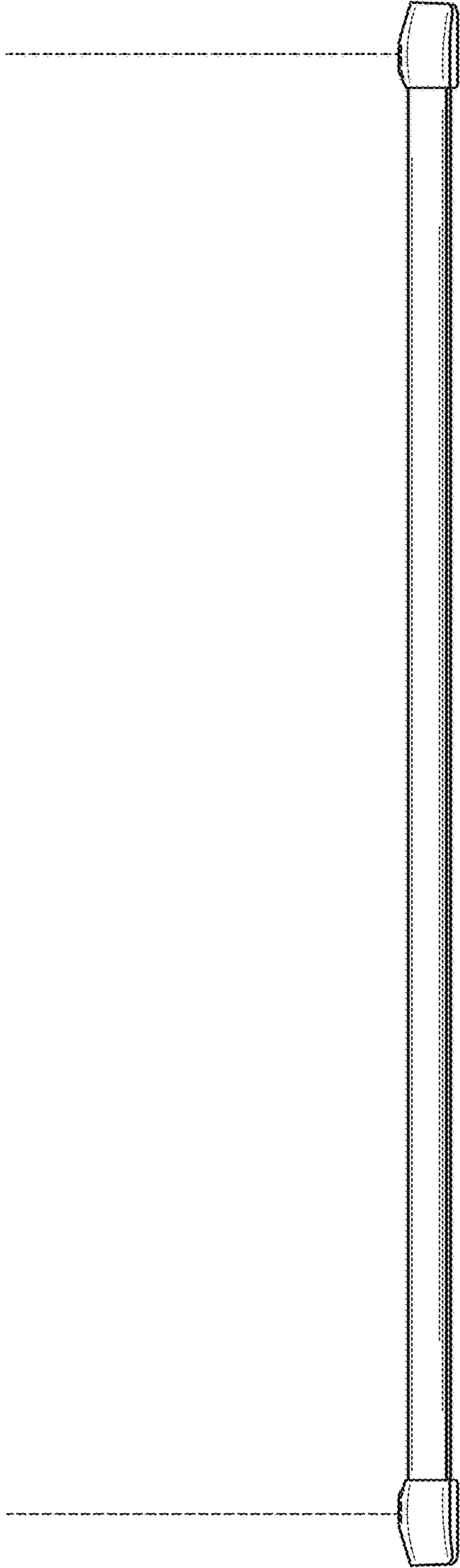


FIG. 7

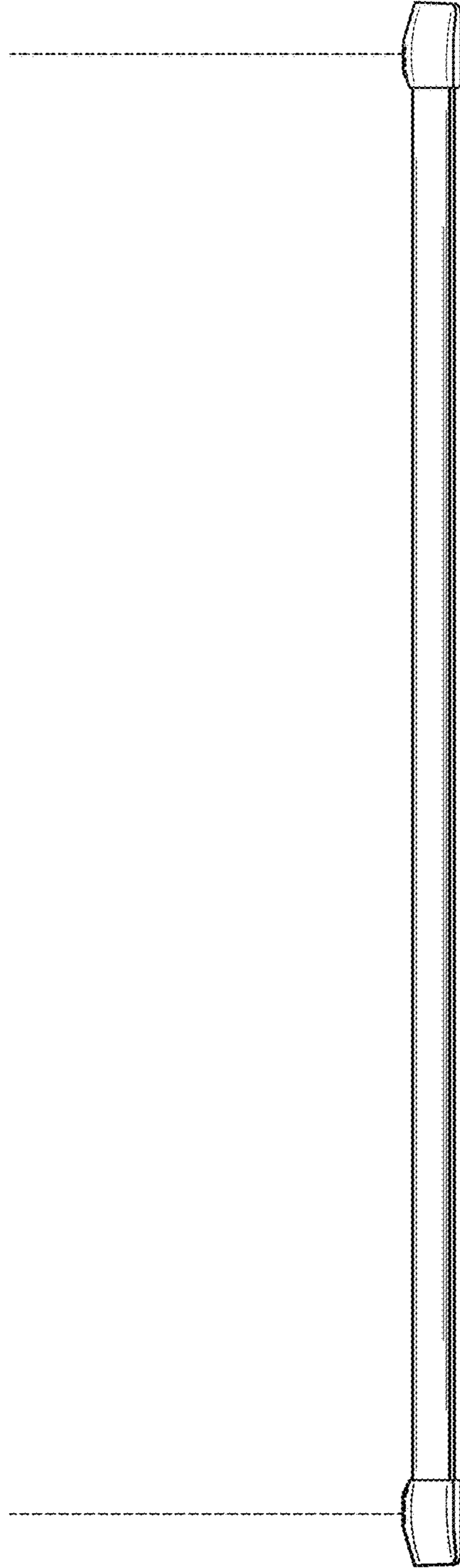


FIG. 8