



US00D812801S

(12) **United States Design Patent**  
**Wilmotte**

(10) **Patent No.:** **US D812,801 S**  
(45) **Date of Patent:** **\*\* Mar. 13, 2018**

(54) **LIGHTING FIXTURE**

(74) *Attorney, Agent, or Firm* — The Belles Group, P.C.

(71) Applicant: **ARTEMIDE S.p.A.**, Milan (IT)

(57) **CLAIM**

(72) Inventor: **Jean Michel Wilmotte**, Milan (IT)

I claim the ornamental design for a lighting fixture, as shown and described.

(73) Assignee: **ARTEMIDE S.p.A.** (IT)

(\*\*) Term: **15 Years**

**DESCRIPTION**

(21) Appl. No.: **29/599,233**

FIG. 1 is a perspective view of a lighting fixture in accordance with a first embodiment of the present invention;

(22) Filed: **Mar. 31, 2017**

FIG. 2 is a front view thereof;

**Related U.S. Application Data**

(63) Continuation of application No. 29/540,962, filed on Sep. 29, 2015, now Pat. No. Des. 784,596.

FIG. 3 is a left-side view thereof;

FIG. 4 is a right-side view thereof;

FIG. 5 is a rear view thereof;

FIG. 6 is a top view thereof;

FIG. 7 is a bottom view thereof;

(30) **Foreign Application Priority Data**

Mar. 31, 2015 (EM) ..... 002673467

FIG. 8 is a perspective view of a lighting fixture in accordance with a second embodiment of the present invention;

(51) **LOC (11) Cl.** ..... **26-03**

FIG. 9 is a front view thereof;

(52) **U.S. Cl.**

USPC ..... **D26/88**; D26/134

FIG. 10 is a left-side view thereof;

FIG. 11 is a right-side view thereof;

FIG. 12 is a rear view thereof;

FIG. 13 is a top view thereof;

(58) **Field of Classification Search**

USPC ..... D26/80, 81, 83, 84, 85, 86, 87, 88, 128, D26/129, 130, 134, 137, 143, 144, 153, D26/132

FIG. 14 is a bottom view thereof;

FIG. 15 is a perspective view of a lighting fixture in accordance with a third embodiment of the present invention;

(Continued)

FIG. 16 is a front view thereof;

FIG. 17 is a left-side view thereof;

FIG. 18 is a right-side view thereof;

FIG. 19 is a rear view thereof;

FIG. 20 is a top view thereof;

FIG. 21 is a bottom view thereof;

(56) **References Cited**

**U.S. PATENT DOCUMENTS**

D36,868 S 4/1904 Gleason  
847,395 A \* 3/1907 Bohm ..... F21V 5/00  
362/338

FIG. 22 is a perspective view of a lighting fixture in accordance with a fourth embodiment of the present invention;

FIG. 23 is a front view thereof;

FIG. 24 is a left-side view thereof;

FIG. 25 is a right-side view thereof;

FIG. 26 is a rear view thereof;

FIG. 27 is a top view thereof; and,

FIG. 28 is a bottom view thereof.

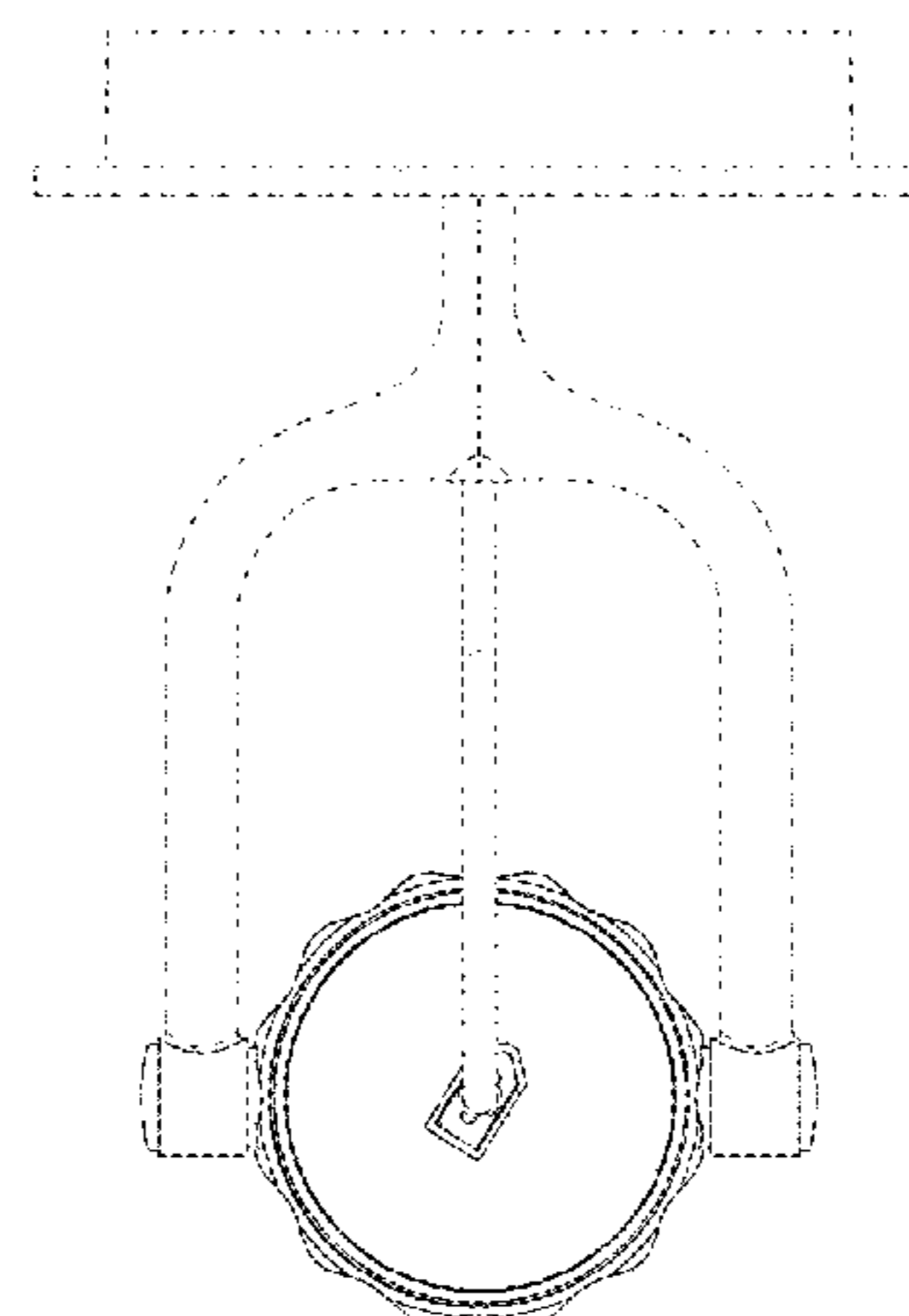
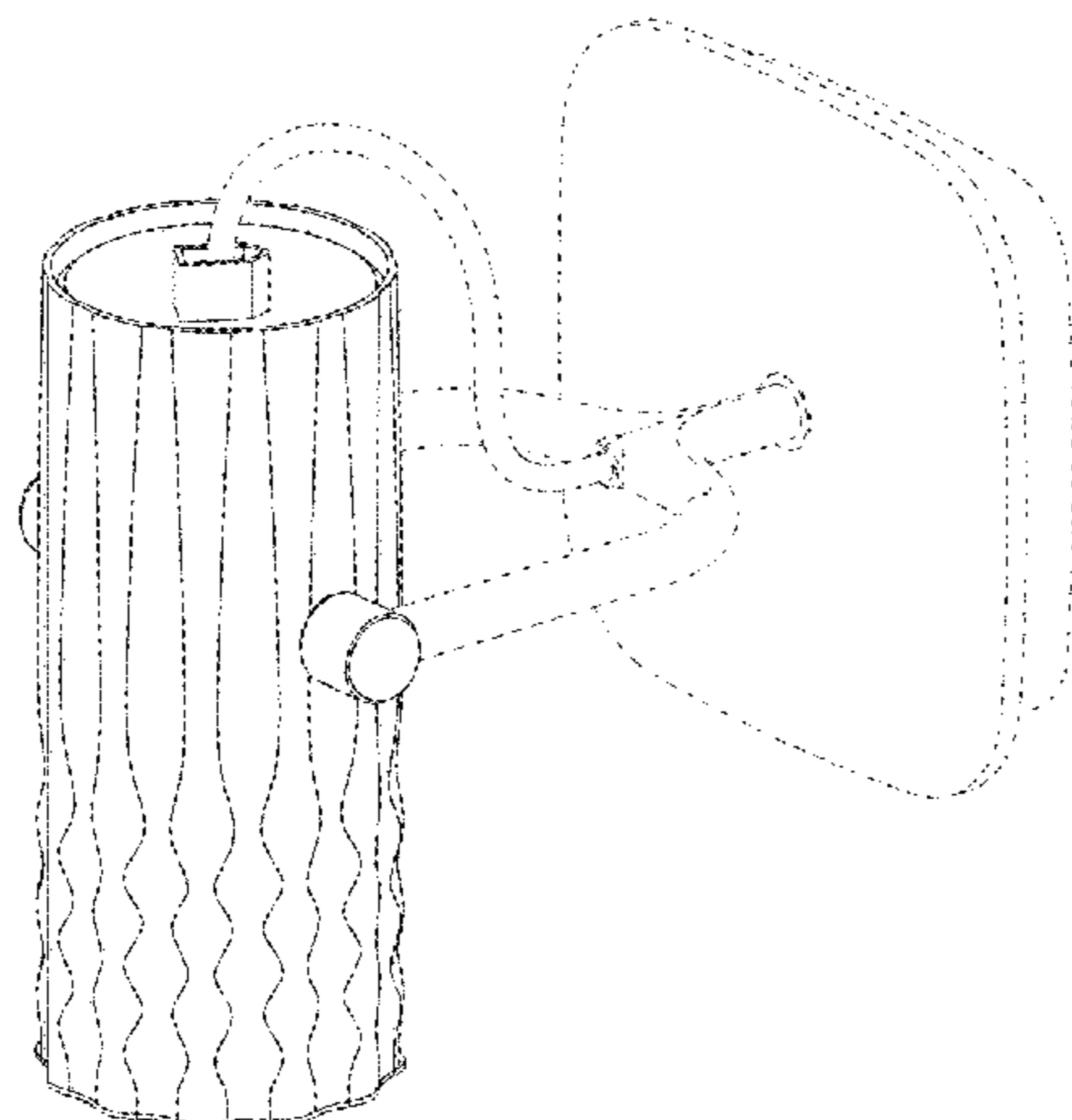
(Continued)

**OTHER PUBLICATIONS**

Meteorite suspension lamp shown on pp. 372 and 373 of the Artemide Design/2015 catalog. (3 pages).

(Continued)

*Primary Examiner* — Clare E Heflin



The broken lines in the drawings are provided for environment only and form no part of the claimed design.

**1 Claim, 28 Drawing Sheets**

**(58) Field of Classification Search**

CPC .... F21S 8/043; F21S 8/046; F21S 8/06; F21S 8/061; F21S 8/063; F21S 8/065; F21S 8/066; F21S 8/068

See application file for complete search history.

**(56) References Cited**

U.S. PATENT DOCUMENTS

D38,578 S \* 5/1907 Morgan ..... D26/128  
 D43,646 S \* 2/1913 Ryan ..... D26/88  
 D43,969 S 5/1913 Bhadeb  
 D48,309 S \* 12/1915 Cravath ..... D26/128  
 1,214,863 A 2/1917 Woeste  
 D63,887 S 2/1924 Dickerson  
 D73,182 S 8/1927 Kasch  
 D80,062 S \* 12/1929 Von Nessen ..... D26/130

D85,629 S 11/1931 Wing  
 1,868,692 A \* 7/1932 Bruckmann ..... F21V 1/00  
 362/357  
 D89,305 S \* 2/1933 Hale ..... D26/88  
 D113,971 S \* 3/1939 Kirk ..... D26/88  
 2,271,836 A 2/1942 Francis  
 2,629,044 A 2/1953 Marfisi  
 D236,998 S \* 9/1975 Tongson et al. .... D26/128  
 D237,003 S 9/1975 Jahandideh  
 D238,952 S 2/1976 Karkaev et al.  
 D280,446 S 9/1985 Ishii  
 D379,550 S 5/1997 Kuo  
 D422,376 S 4/2000 Yoshikawa  
 D559,427 S 1/2008 Zupan  
 D559,428 S 1/2008 Kravitz  
 D574,545 S \* 8/2008 Baldele ..... D26/88  
 D593,702 S \* 6/2009 Sabernig ..... D26/88  
 D597,243 S 7/2009 Trumble et al.  
 D639,989 S 6/2011 Chen  
 D650,122 S 12/2011 Chen  
 D650,125 S 12/2011 Chen  
 D655,851 S \* 3/2012 Sabernig ..... D26/88  
 D672,910 S 12/2012 Turner  
 D771,299 S 11/2016 Arslan  
 D780,978 S \* 3/2017 Bouroullec ..... D26/88

\* cited by examiner

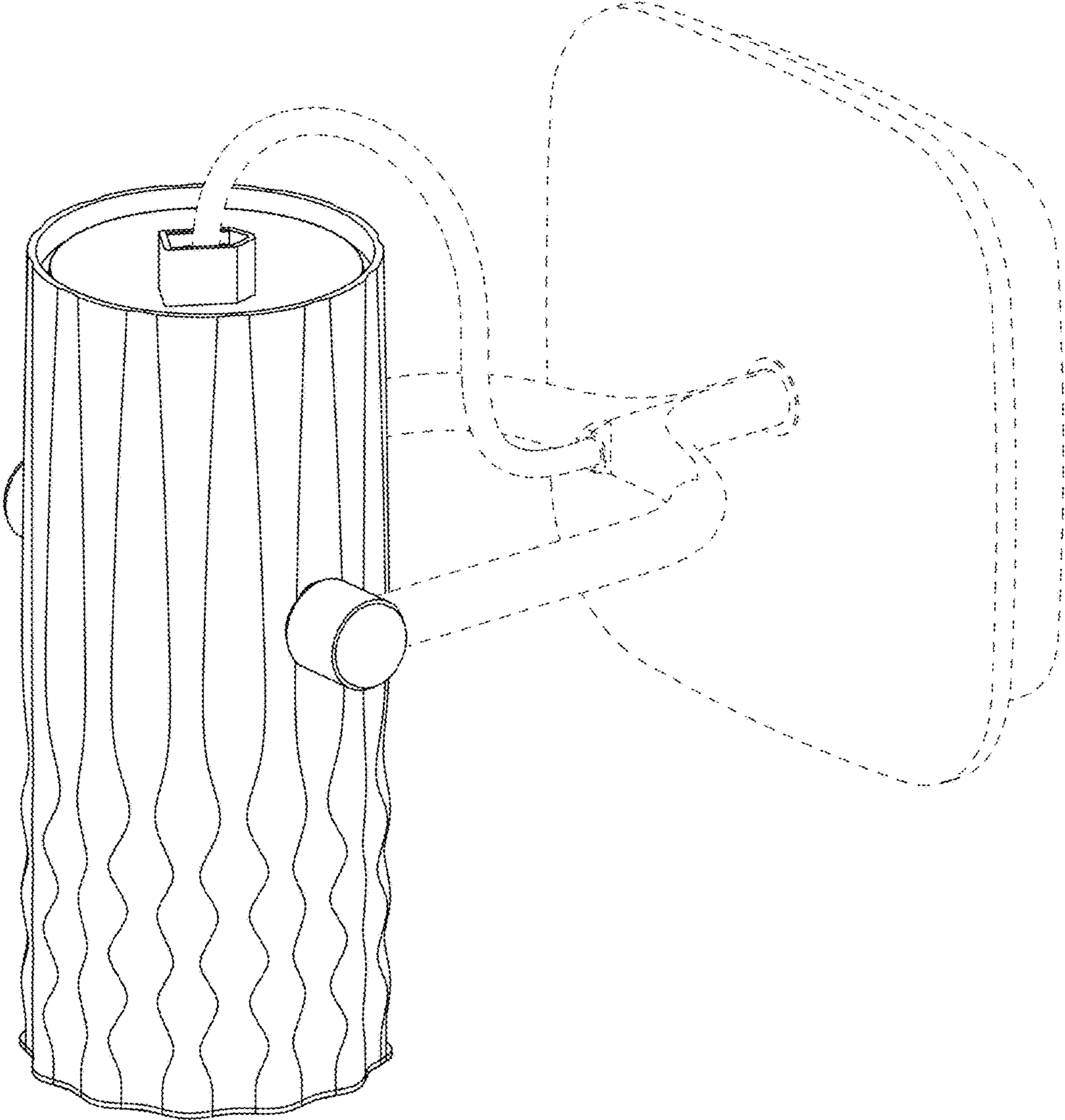


FIG. 1

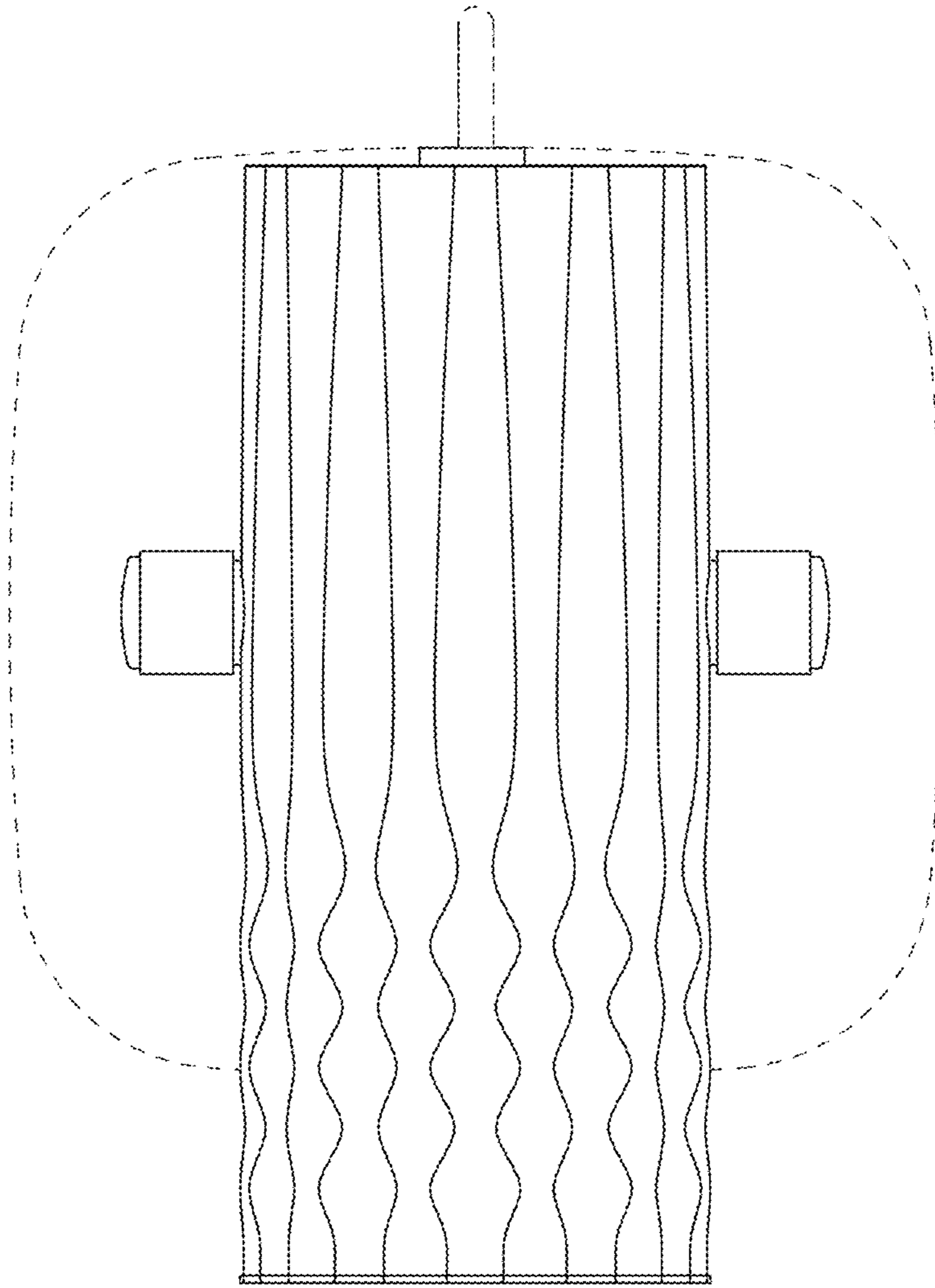


FIG. 2

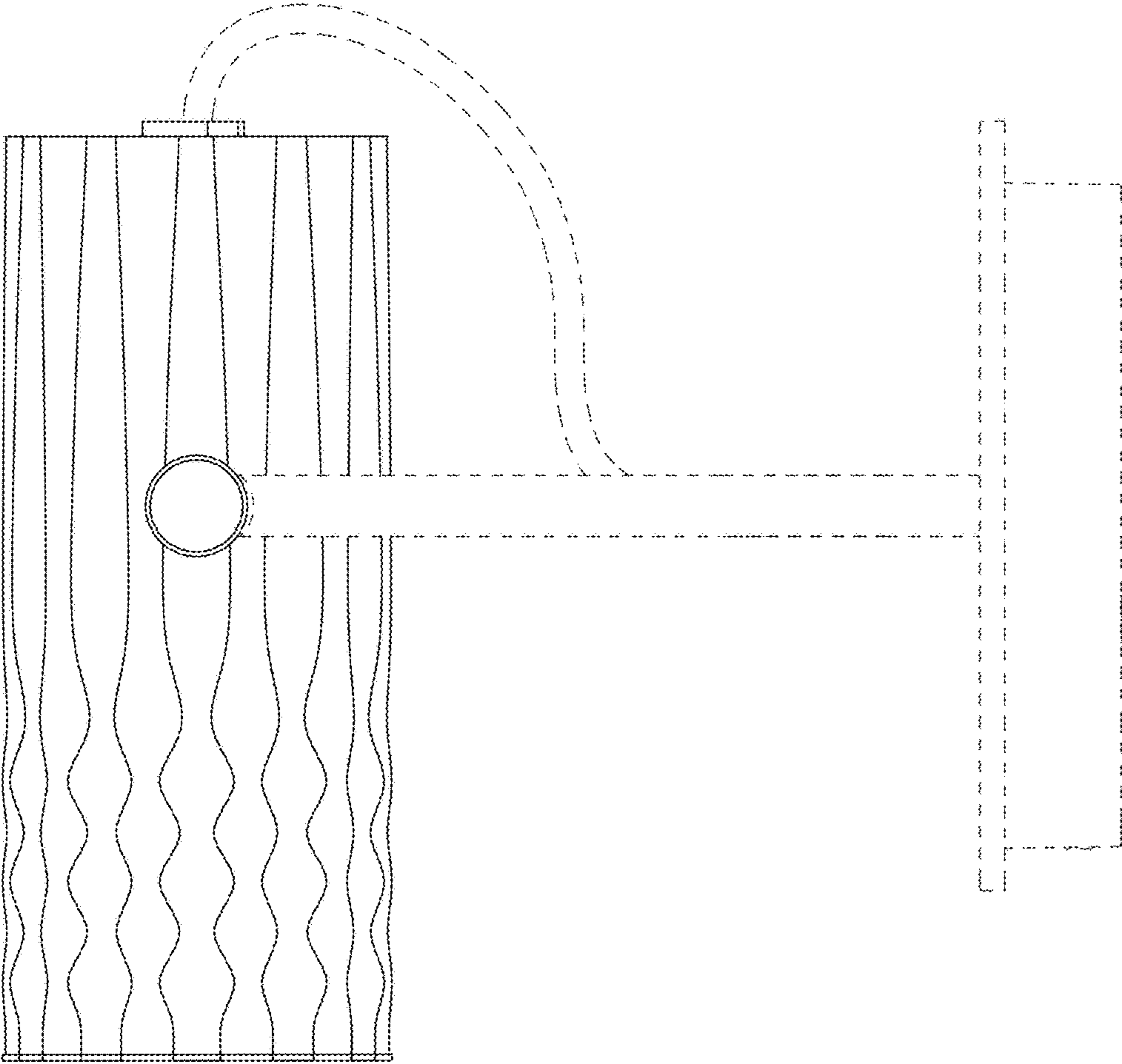


FIG. 3

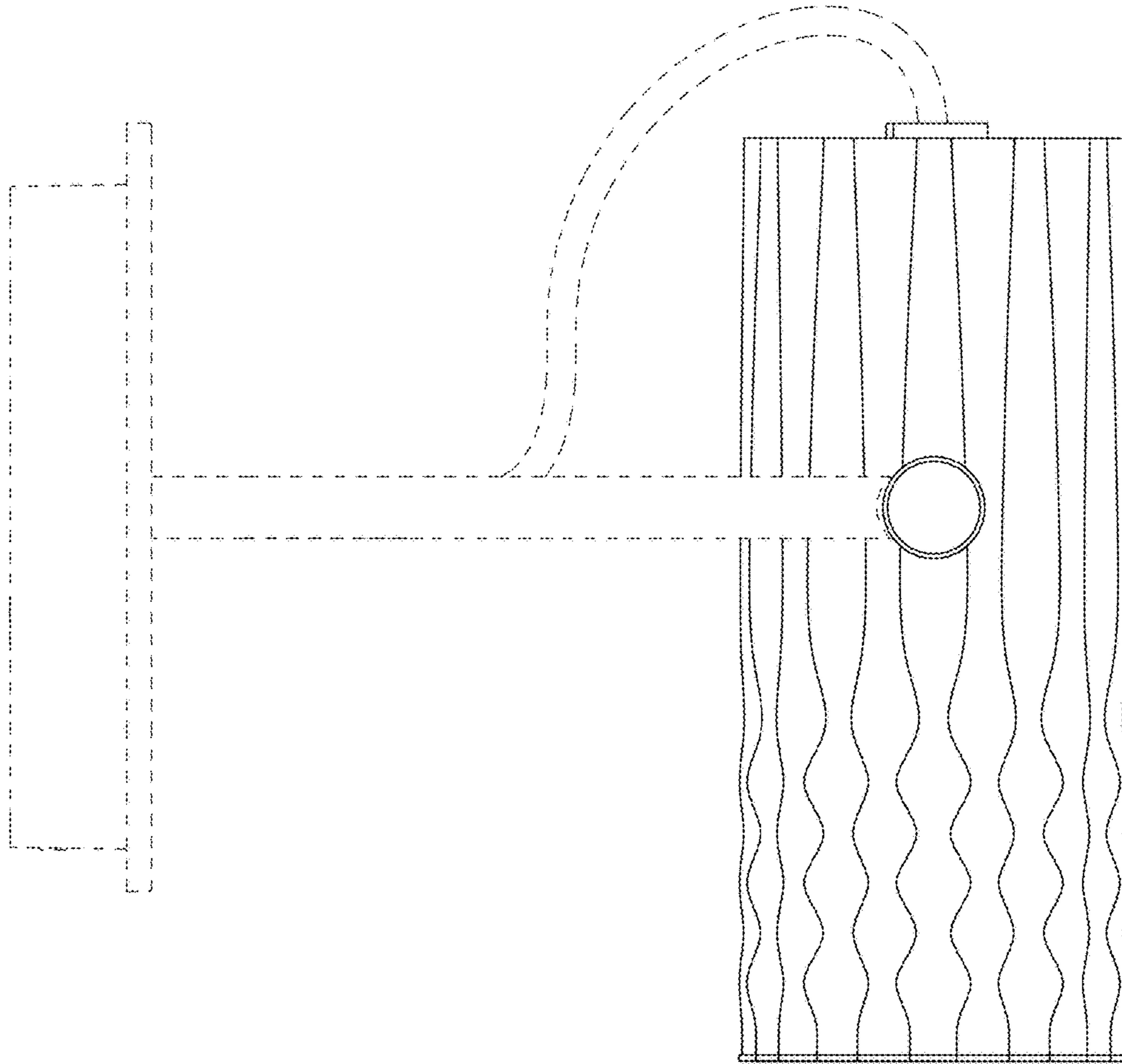


FIG. 4

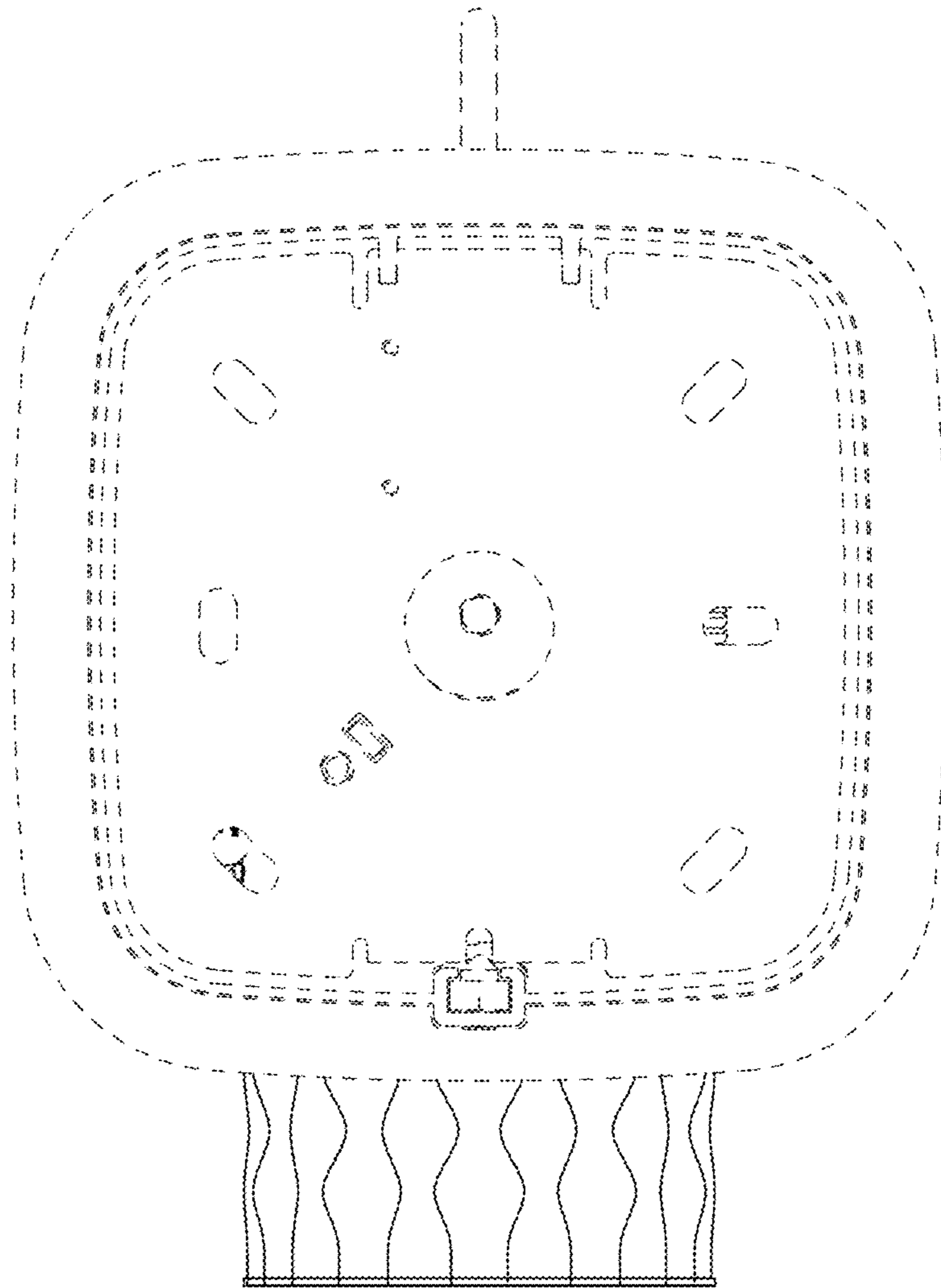


FIG. 5

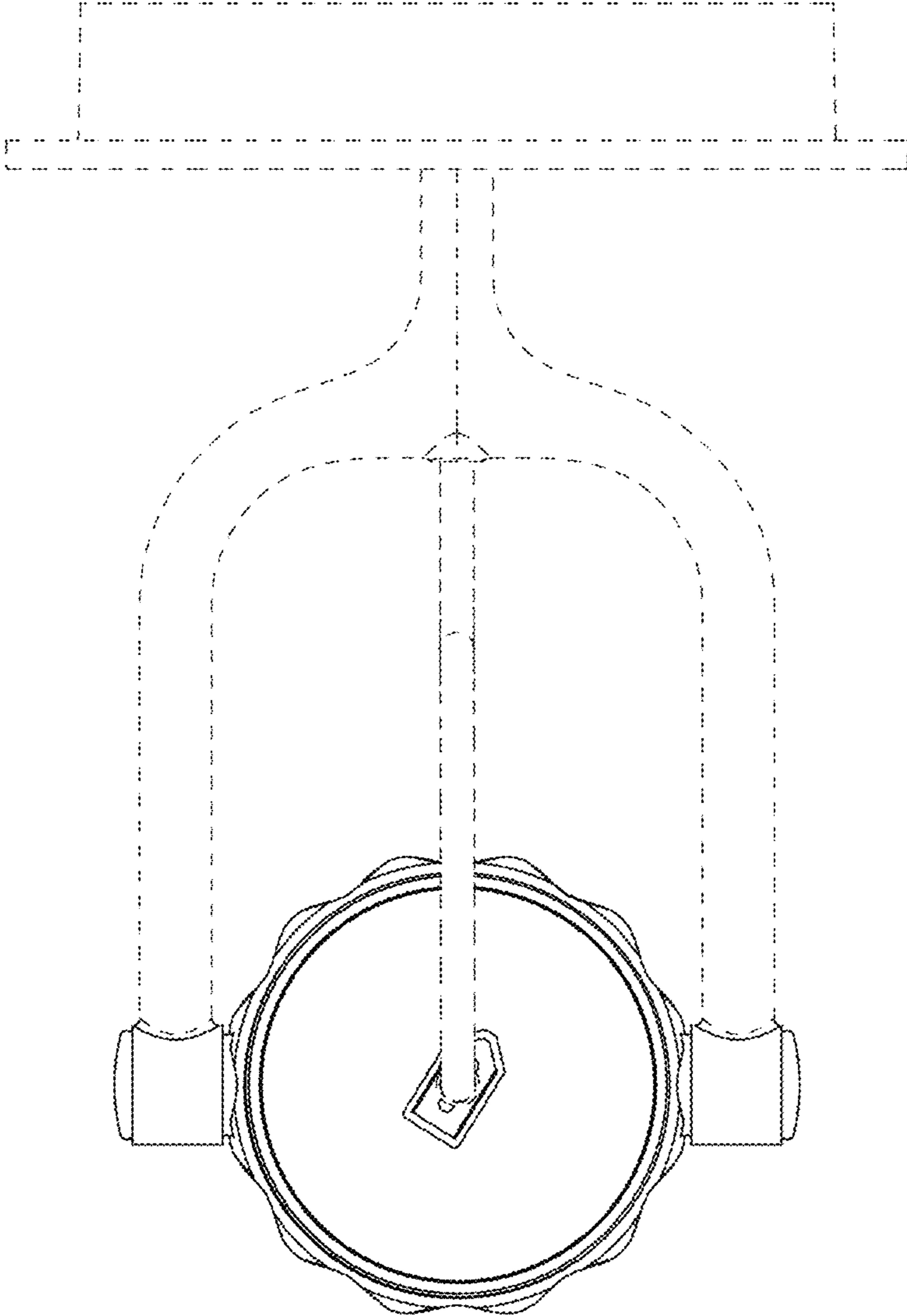


FIG. 6



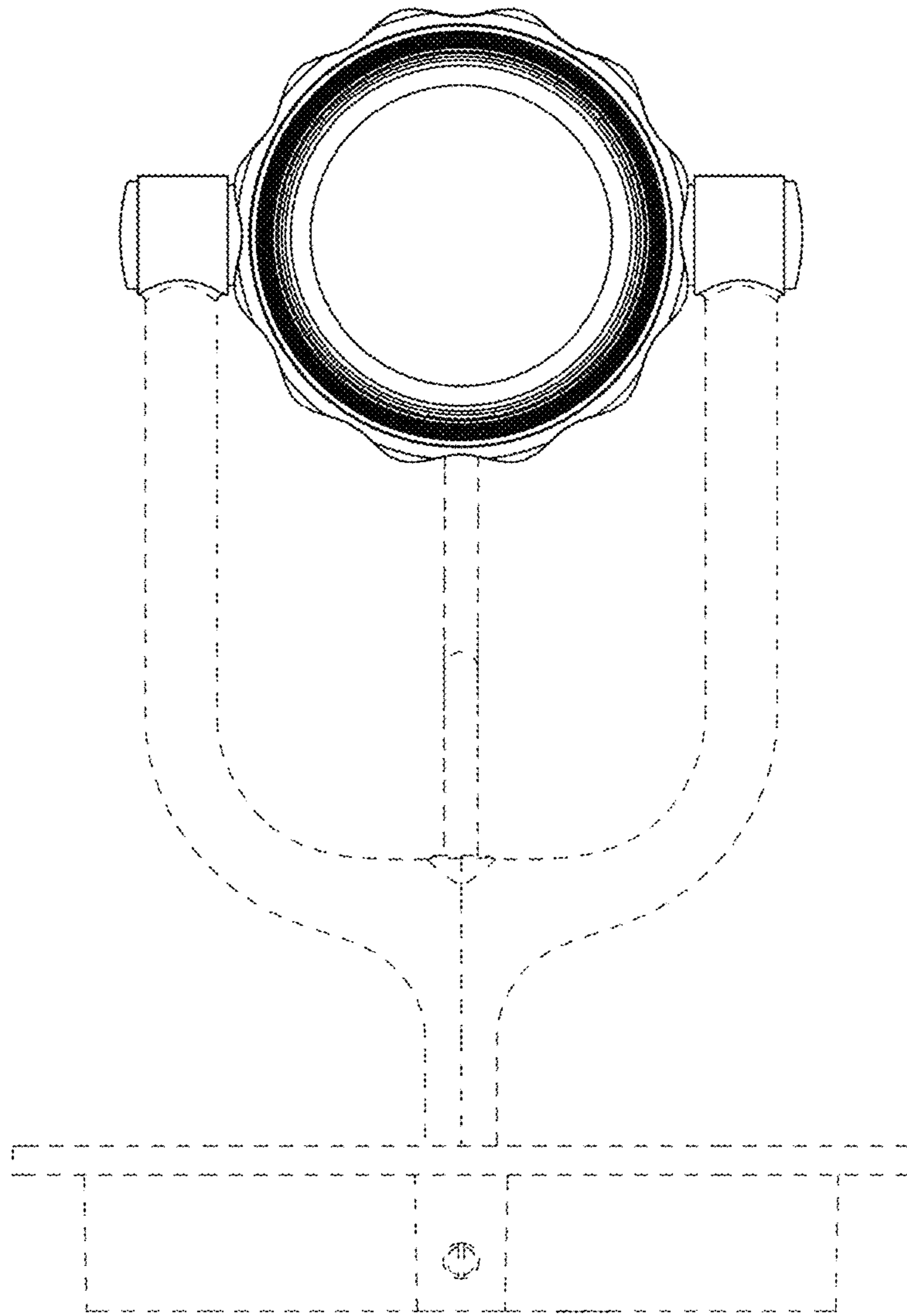


FIG. 7

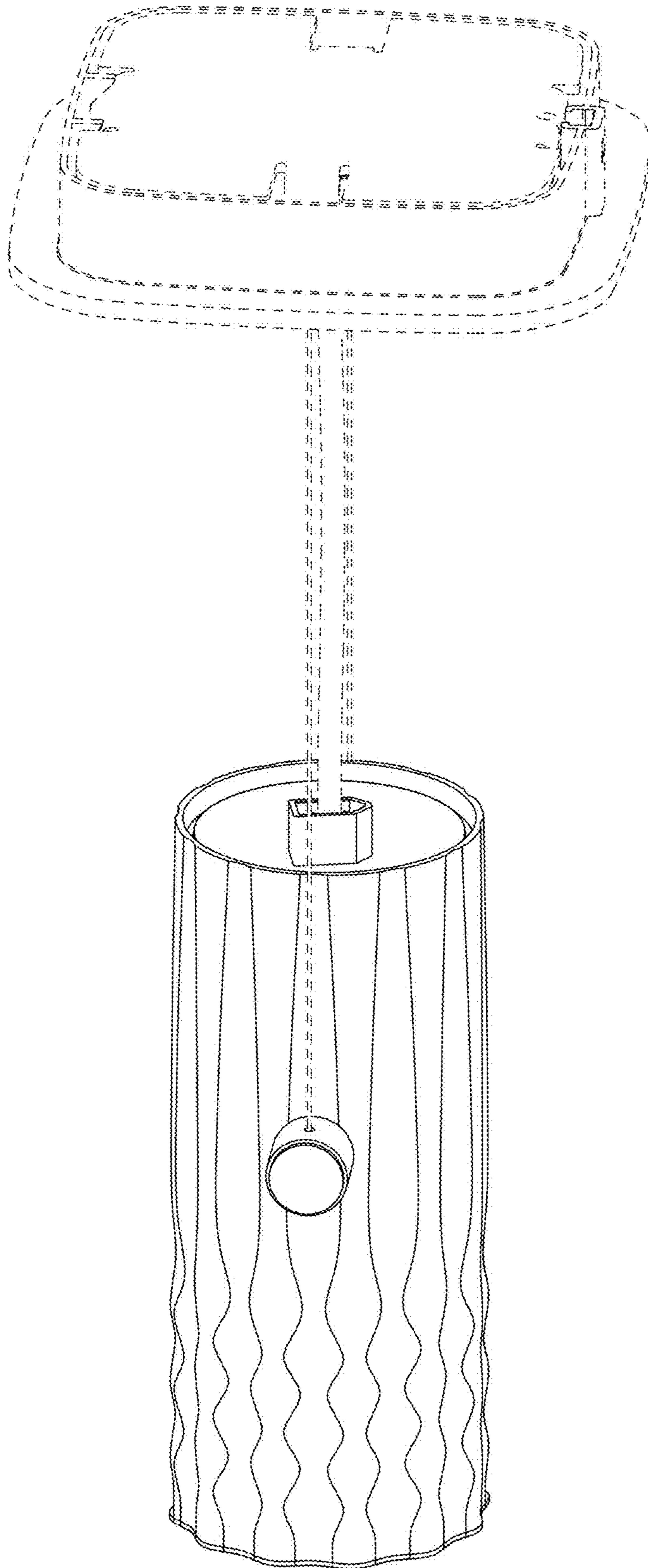


FIG. 8

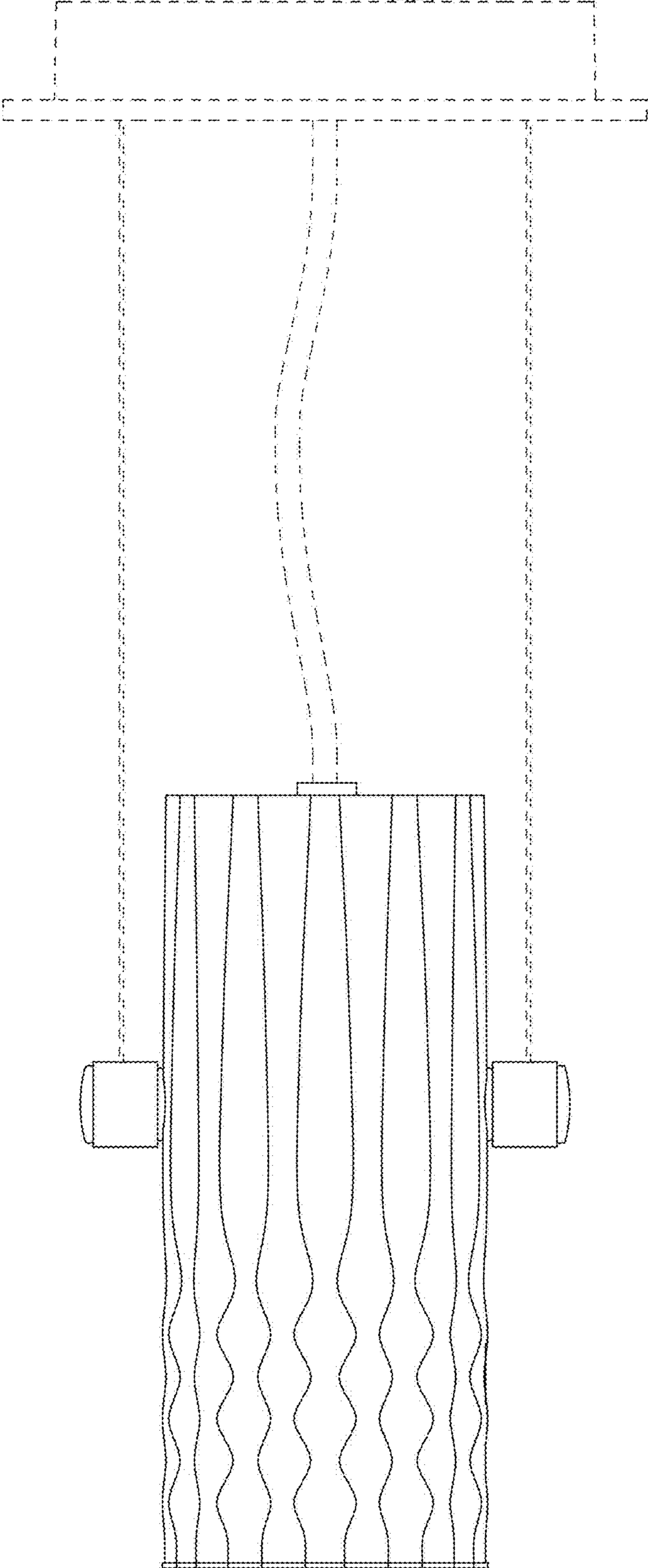


FIG. 9

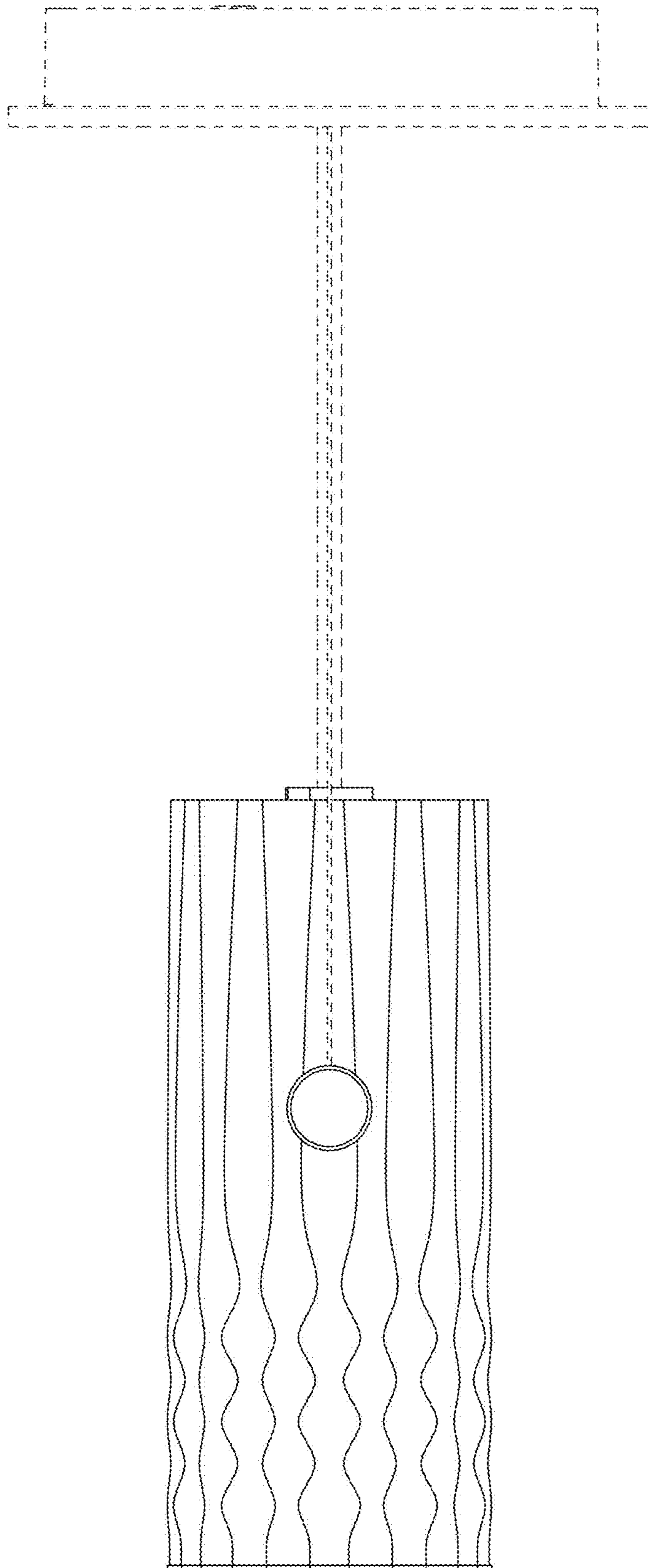


FIG. 10

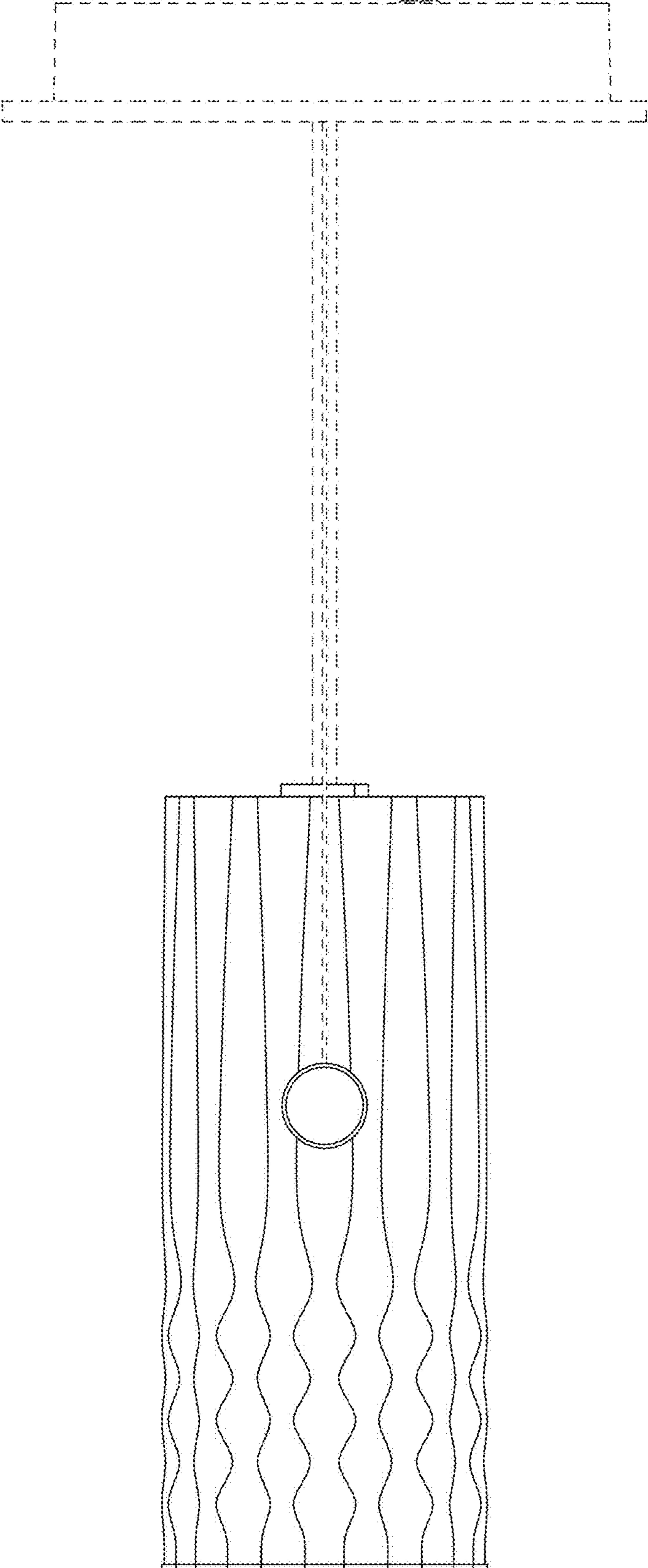


FIG. 11

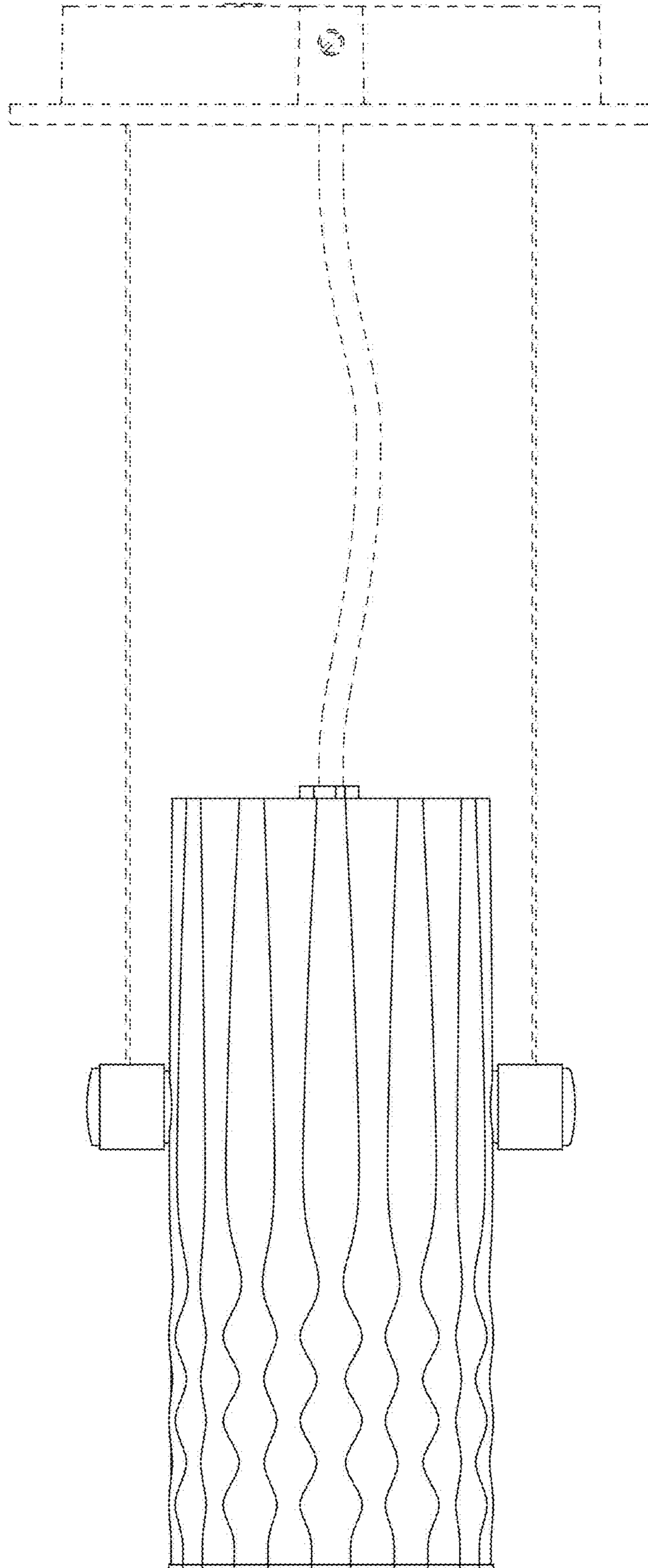


FIG. 12

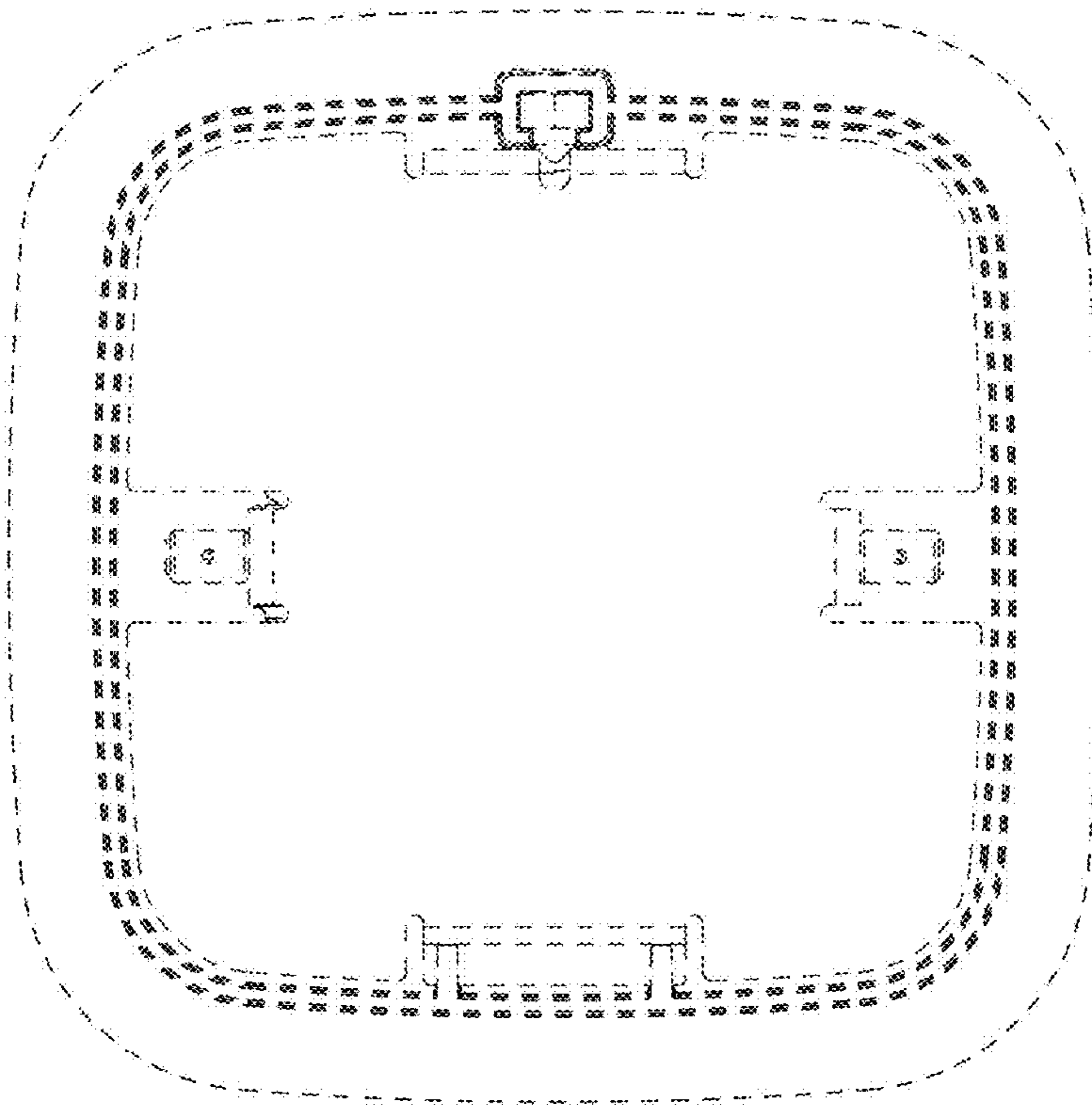


FIG. 13

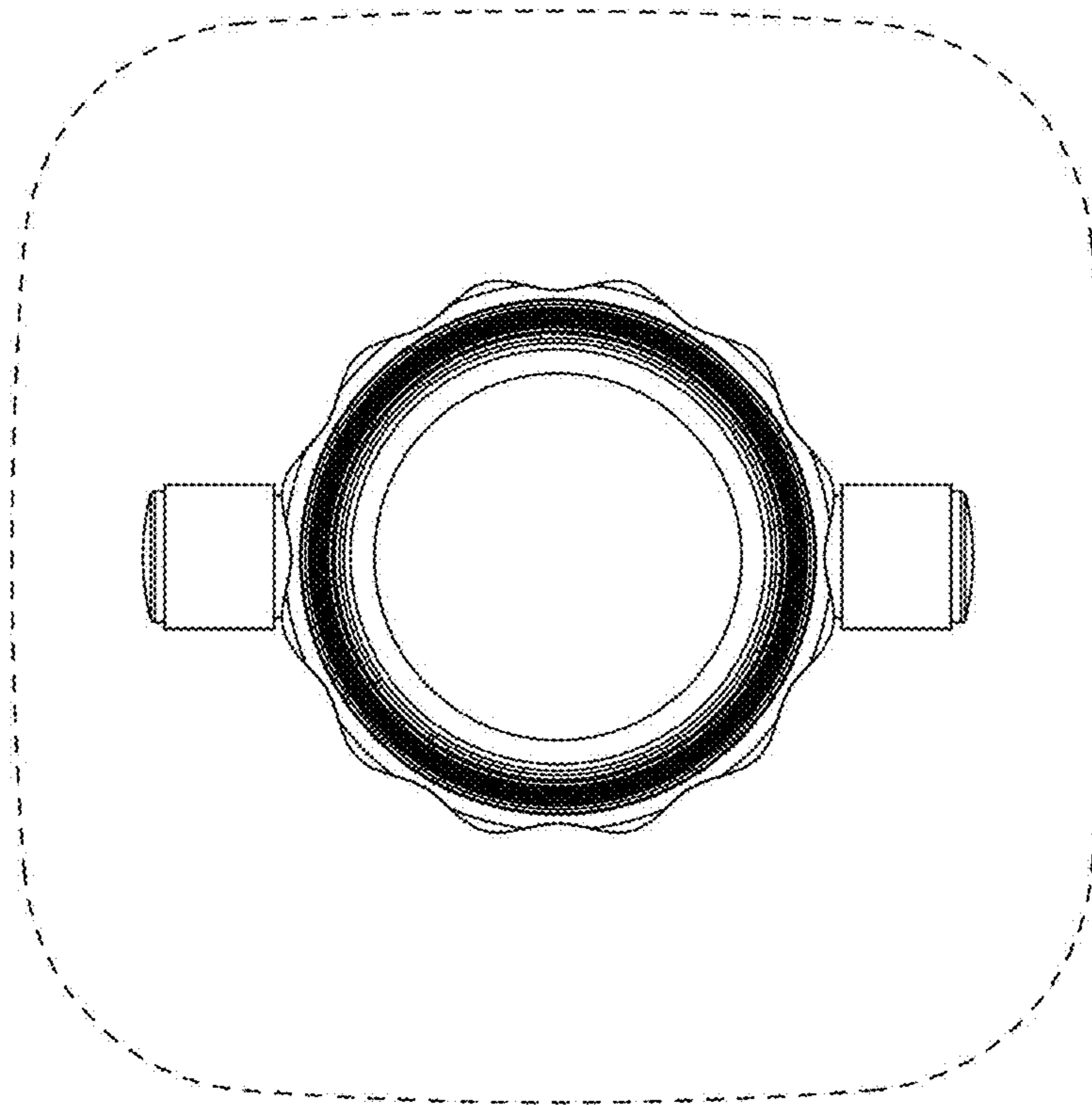


FIG. 14



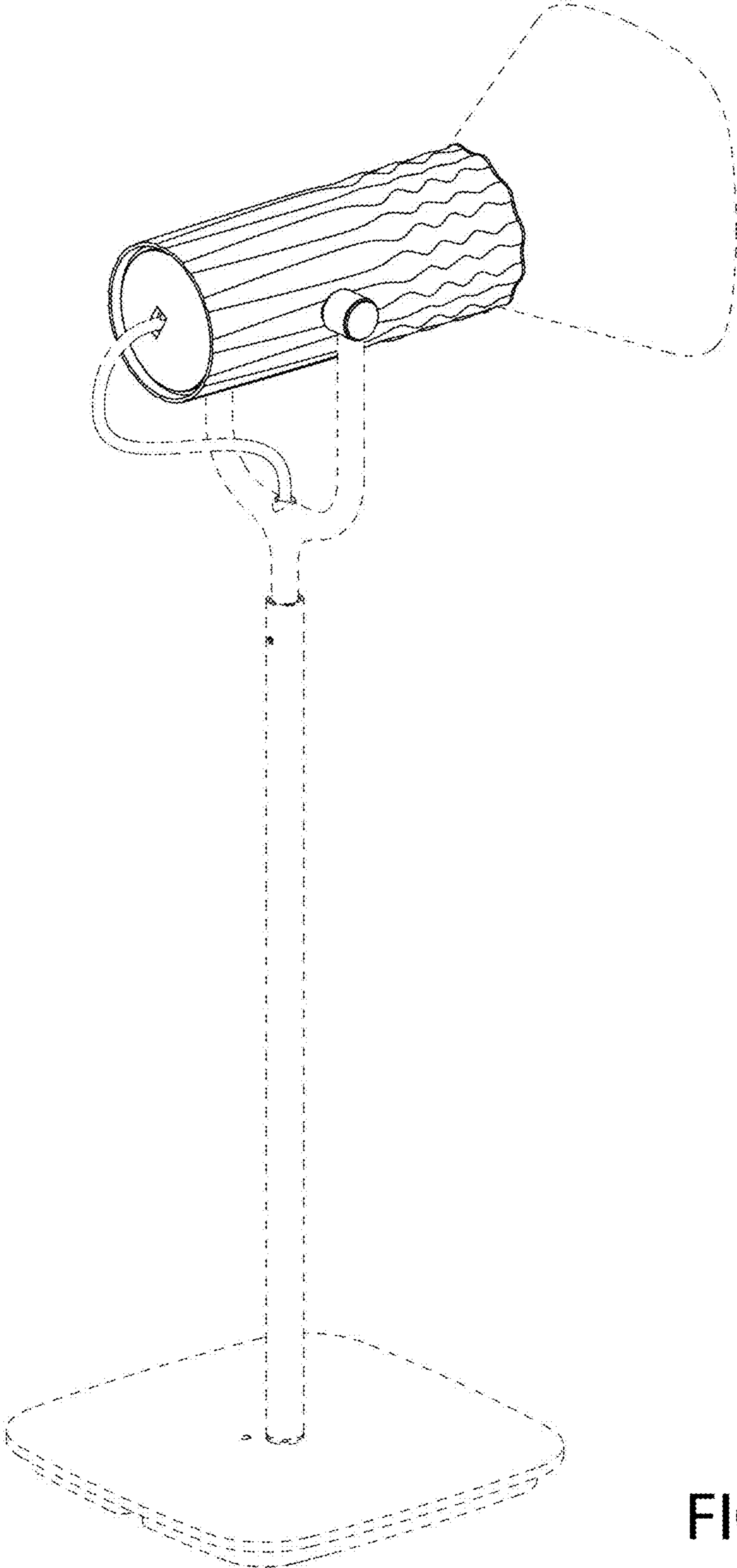


FIG. 15

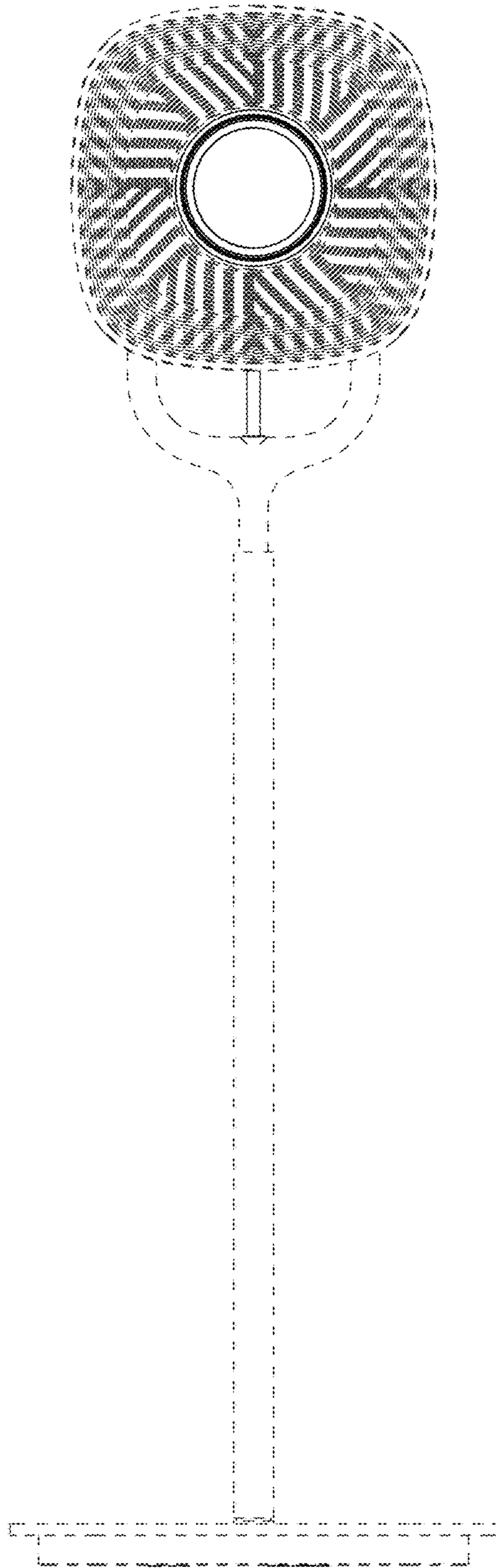


FIG. 16

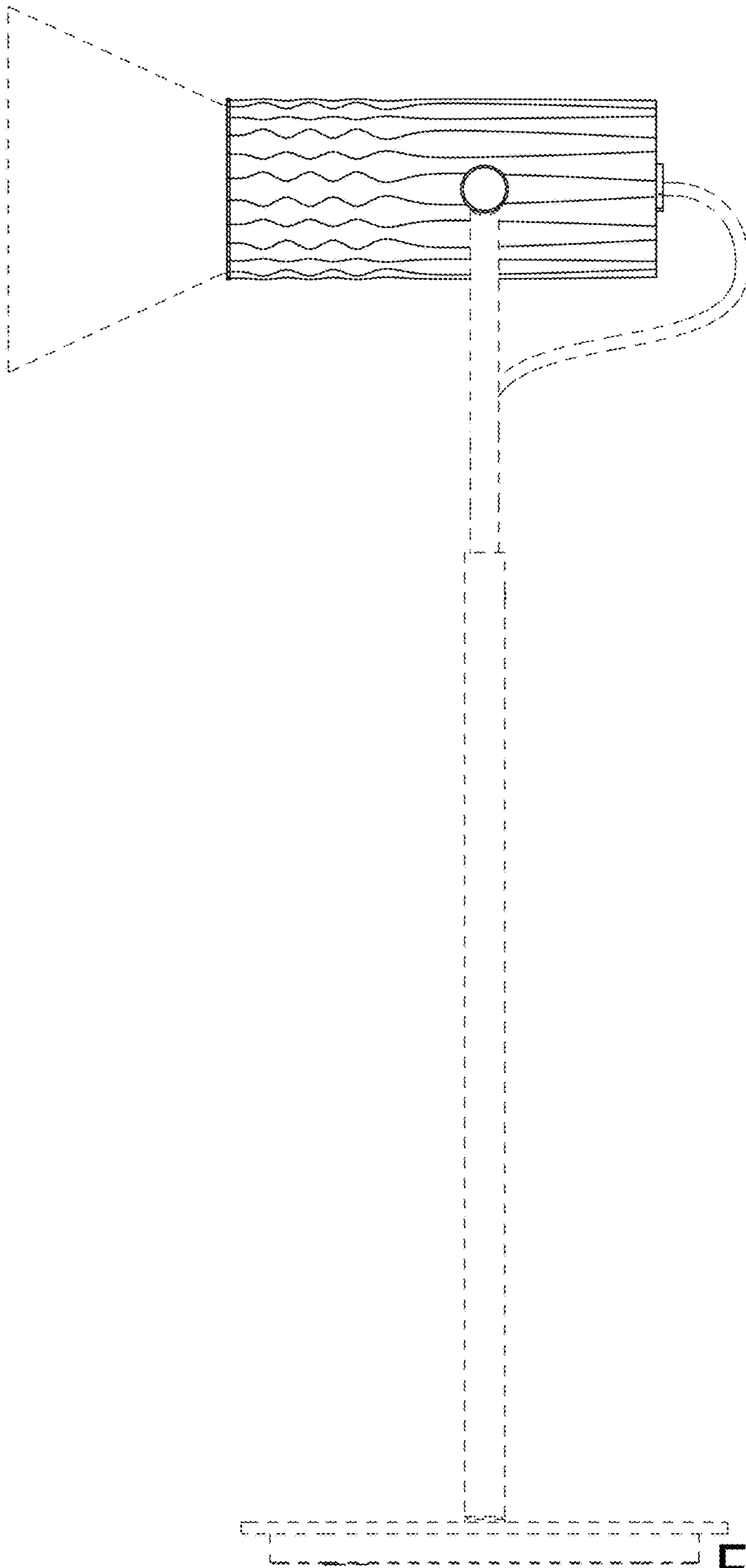


FIG. 17

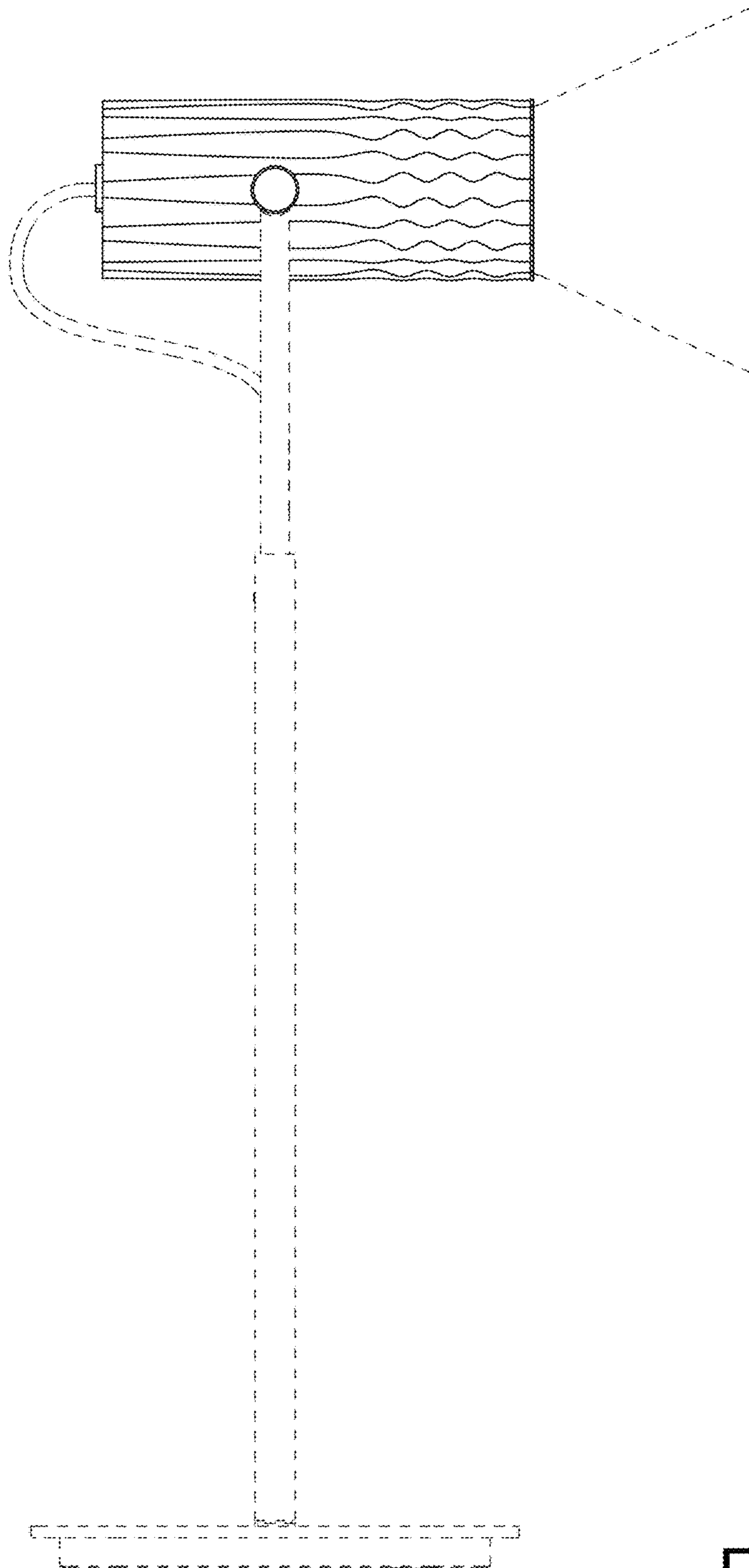


FIG. 18

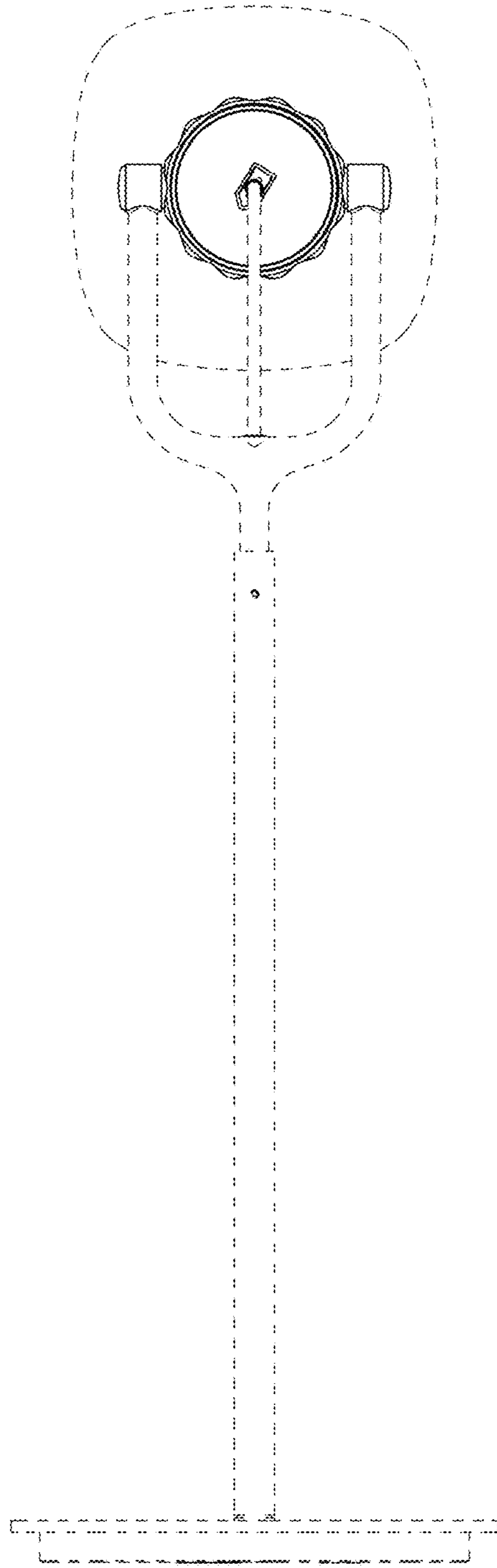


FIG. 19

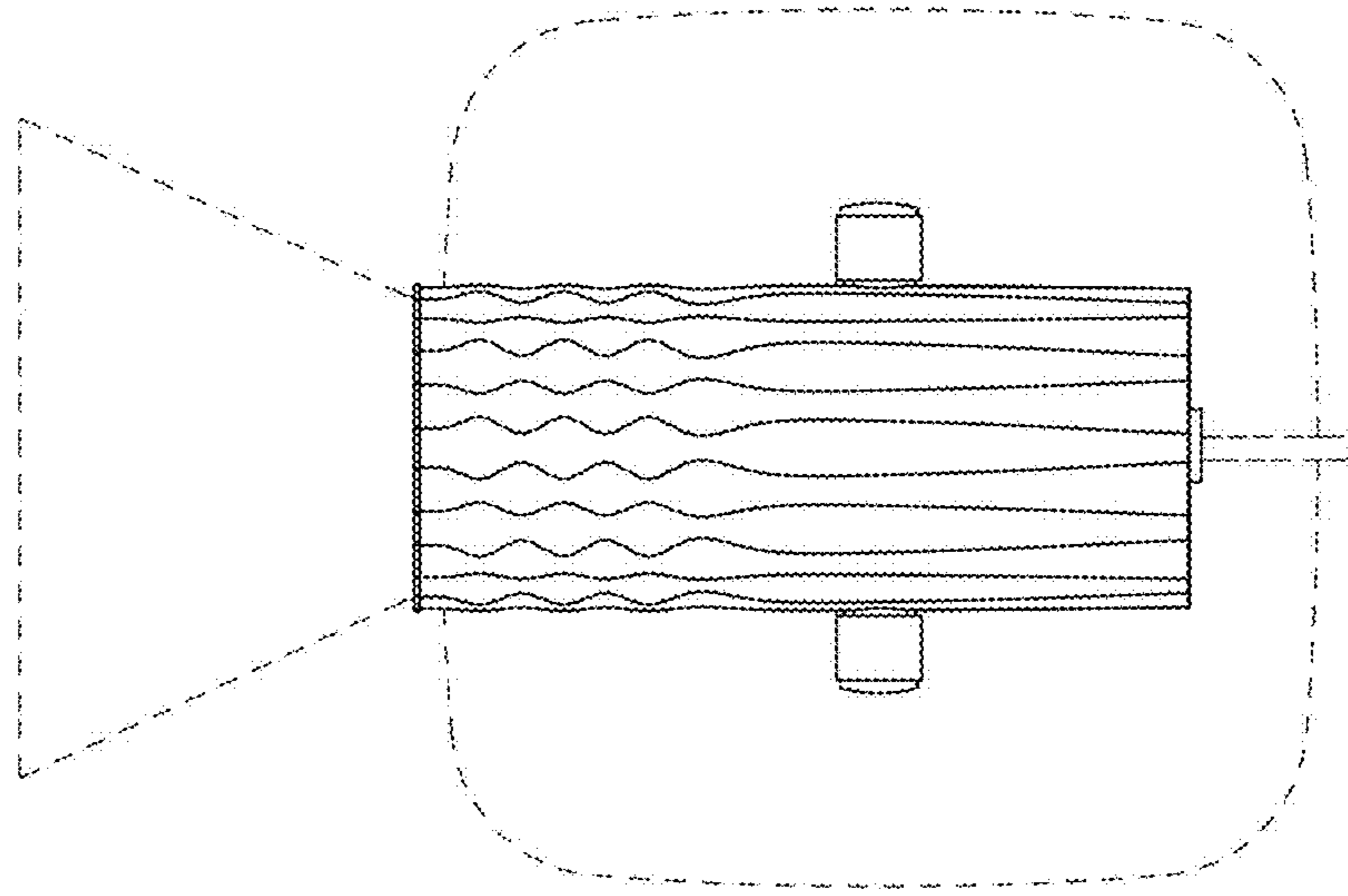


FIG. 20

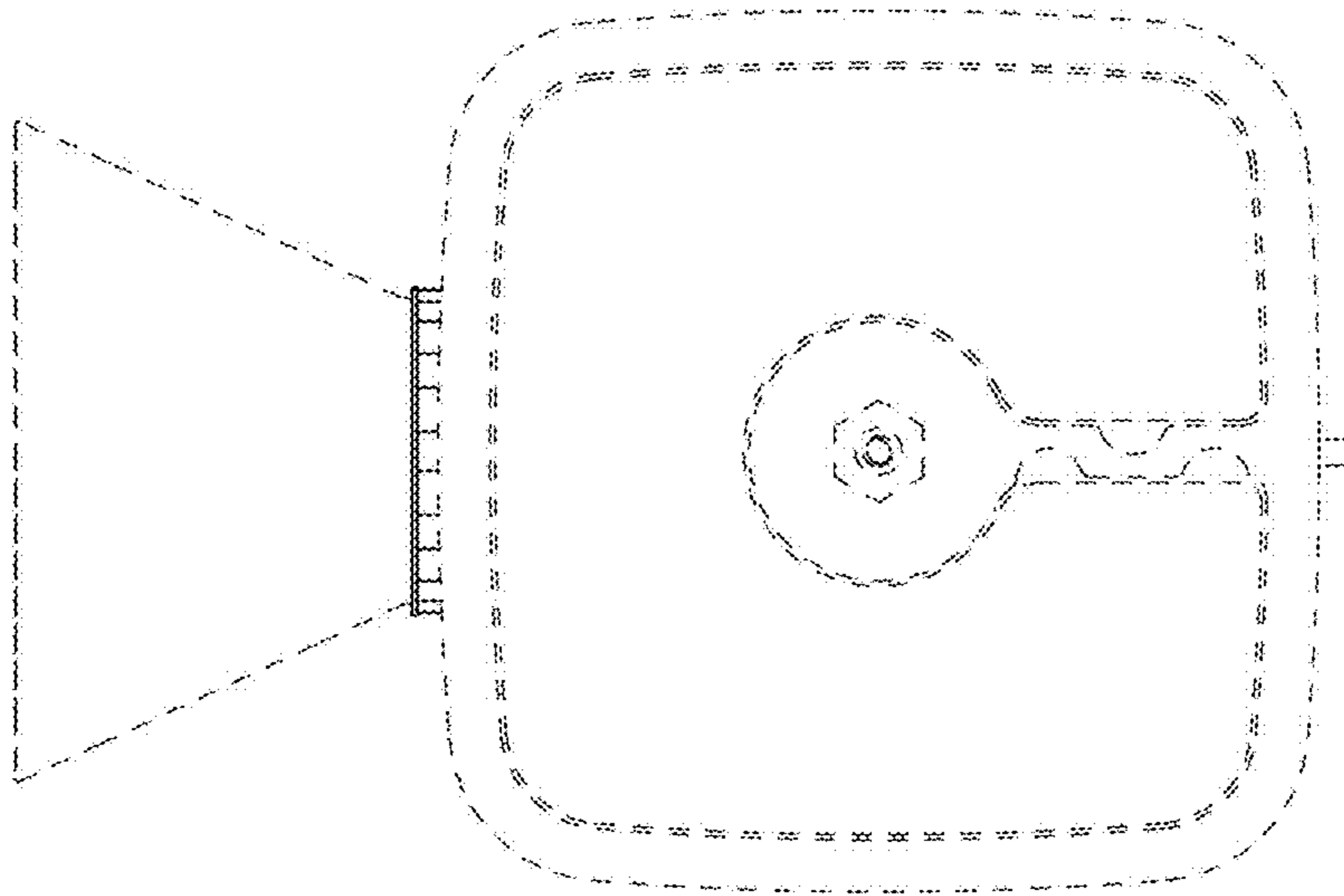


FIG. 21

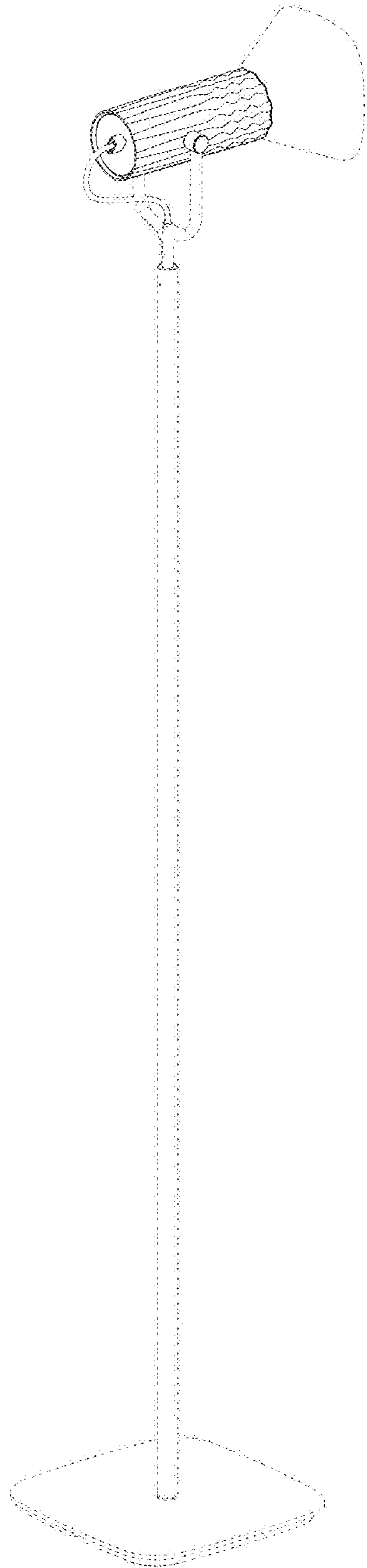


FIG. 22



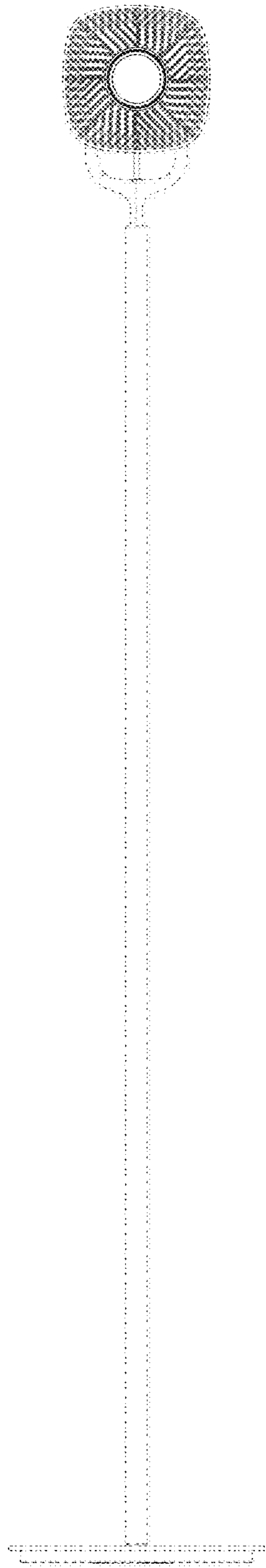


FIG. 23

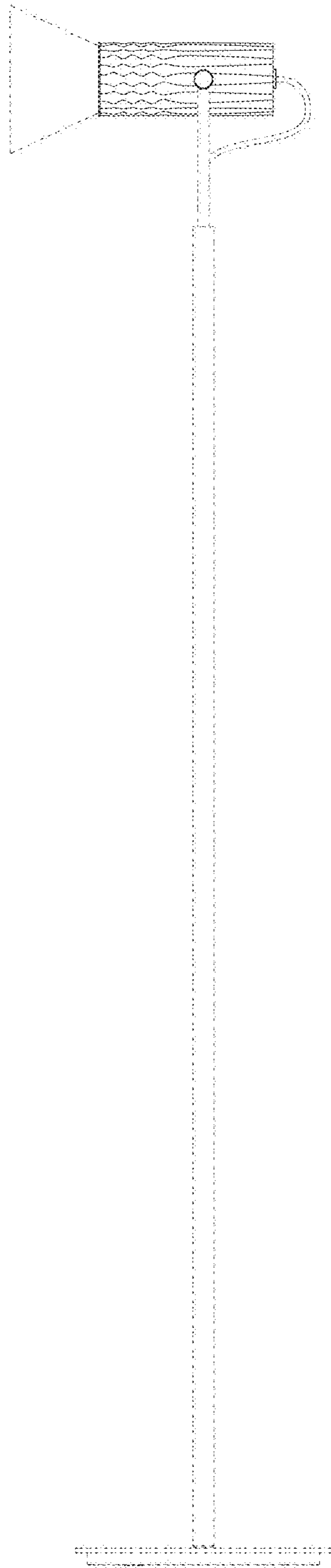


FIG. 24

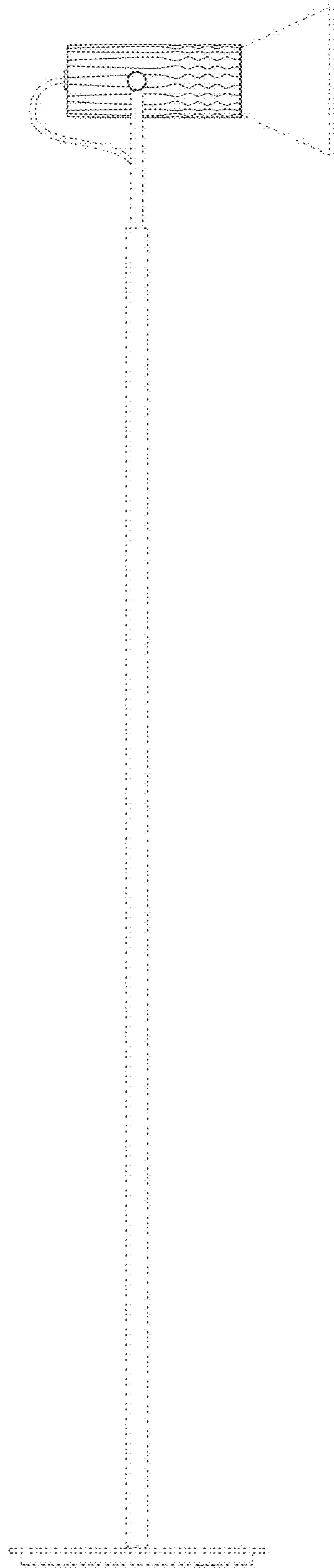


FIG. 25

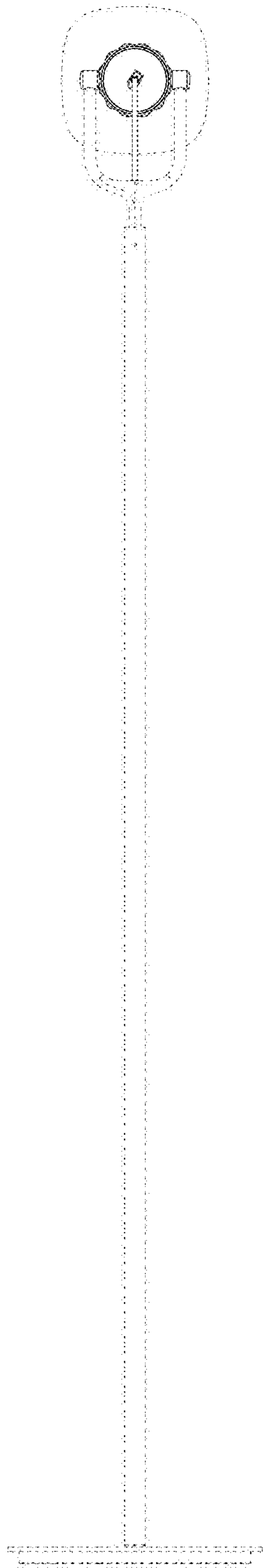


FIG. 26

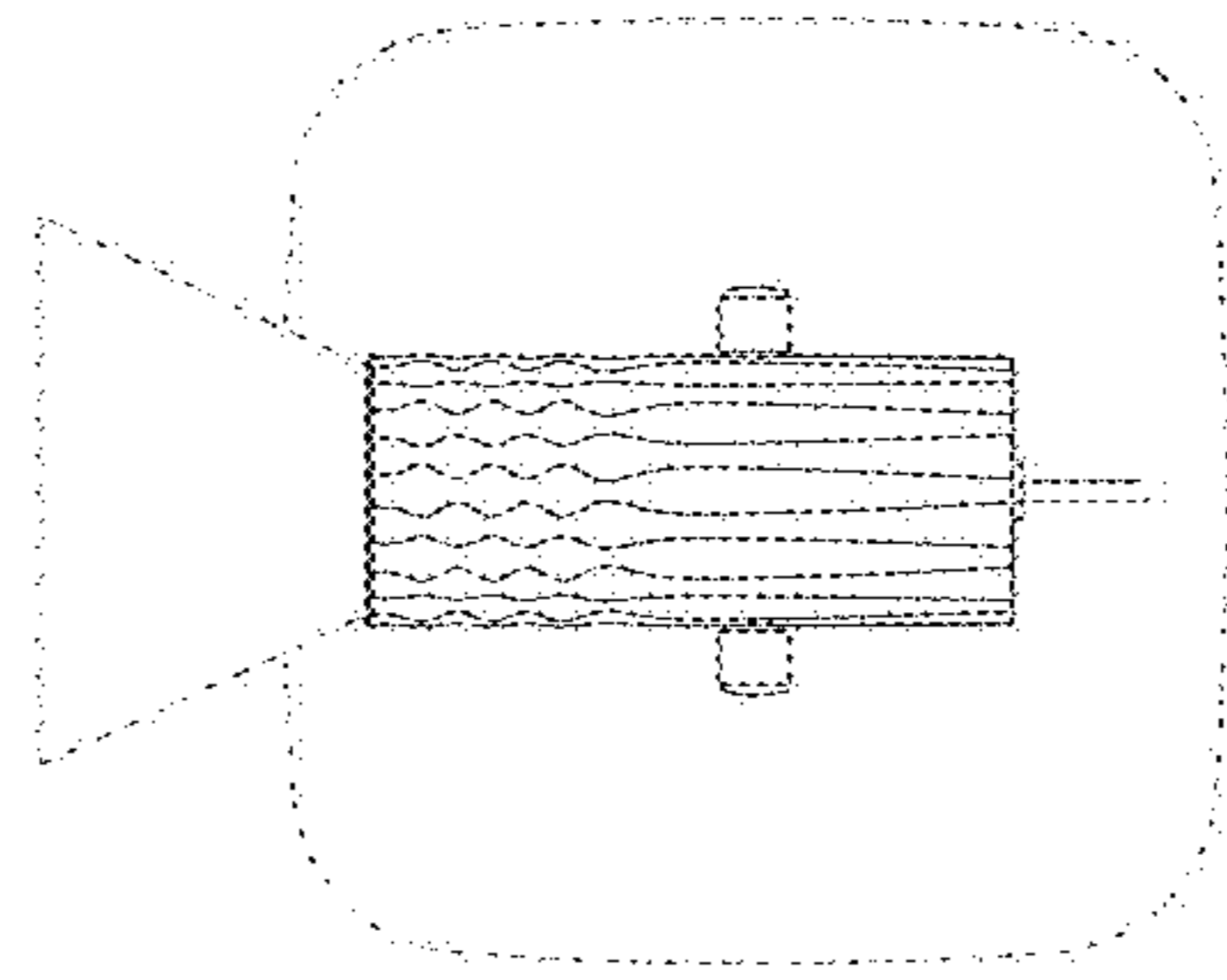


FIG. 27

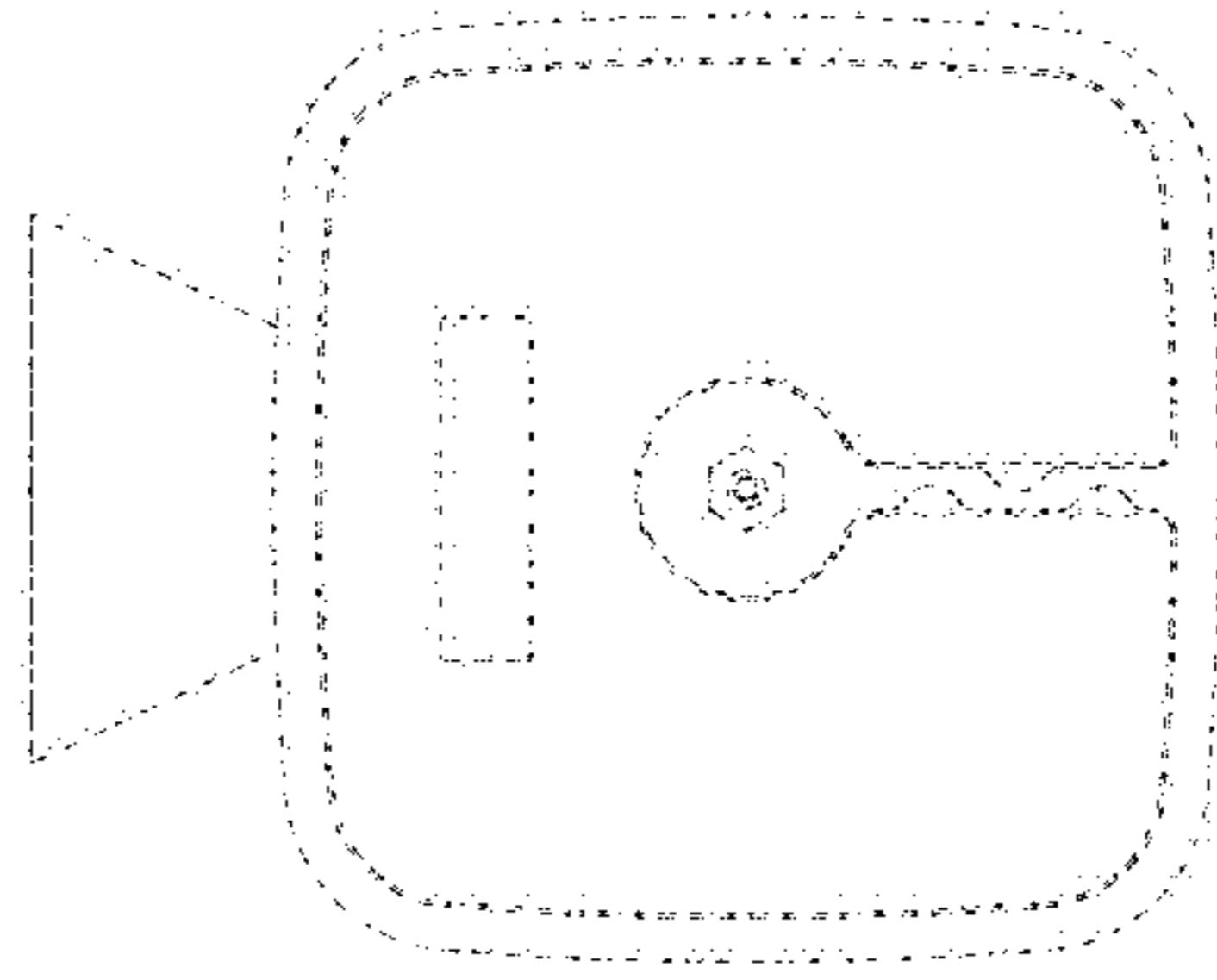


FIG. 28