



US00D812799S

(12) **United States Design Patent**
Shundong

(10) **Patent No.:** **US D812,799 S**

(45) **Date of Patent:** **** Mar. 13, 2018**

(54) **CANOPY LUMINAIRE**

(71) Applicant: **Above All Lighting Inc.**, Toms River, NJ (US)

(72) Inventor: **Liu Shundong**, Shanghai (CN)

(73) Assignee: **Above All Lighting Inc.**, Toms River, NJ (US)

(**) Term: **15 Years**

(21) Appl. No.: **29/574,888**

(22) Filed: **Aug. 19, 2016**

(51) **LOC (11) Cl.** **26-05**

(52) **U.S. Cl.**
USPC **D26/72; D26/88**

(58) **Field of Classification Search**
USPC D26/72, 80, 83, 85, 88, 89
CPC F21S 8/03; F21S 8/04; F21S 8/043; F21S 8/06; F21S 8/061; F21S 8/063; F21V 21/008; F21V 21/02; F21V 29/2212; F21V 29/767; F21V 29/77; F21V 29/777; F21V 29/78
See application file for complete search history.

(56) **References Cited**

U.S. PATENT DOCUMENTS

D332,504 S *	1/1993	Ewing	D26/88
D582,600 S *	12/2008	Guercio	D26/88
D624,686 S *	9/2010	Toney, Jr.	D26/72
D667,587 S *	9/2012	Wilcox	F21V 29/70
				D26/89
D677,824 S *	3/2013	Maxik	D26/89
D701,636 S *	3/2014	Maxik	D26/89
D747,534 S *	1/2016	Guercio	D26/89

D753,863 S *	4/2016	Bembridge	D26/71
D764,094 S *	8/2016	Zhai	D26/72
D783,884 S *	4/2017	Li	D26/89
D785,225 S *	4/2017	Gan	D26/72
D785,230 S *	4/2017	Shundong	D26/89
D786,470 S *	5/2017	Largent	D26/72

* cited by examiner

Primary Examiner — Clare E Heflin

(74) *Attorney, Agent, or Firm* — McCarter & English, LLP

(57) **CLAIM**

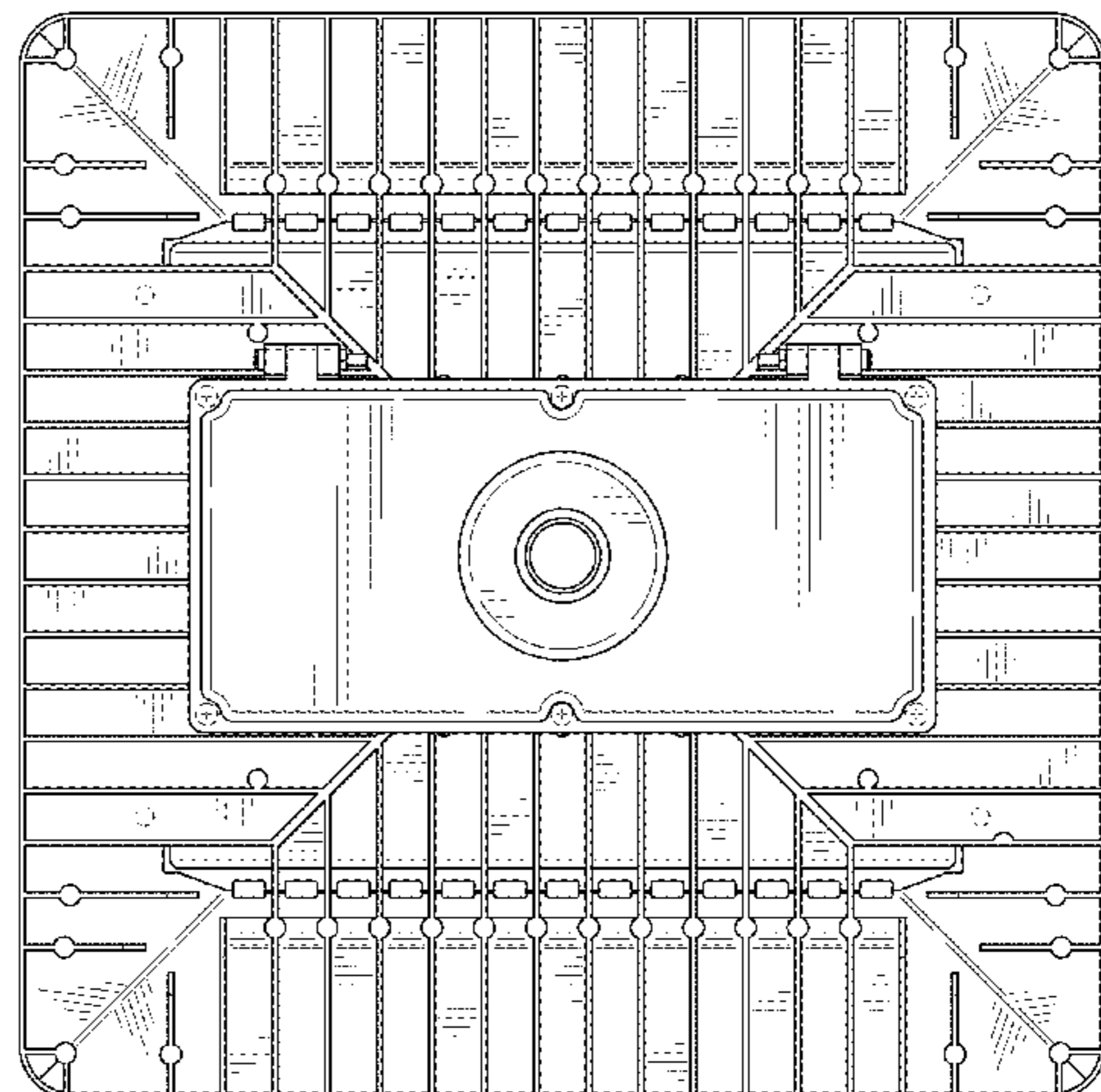
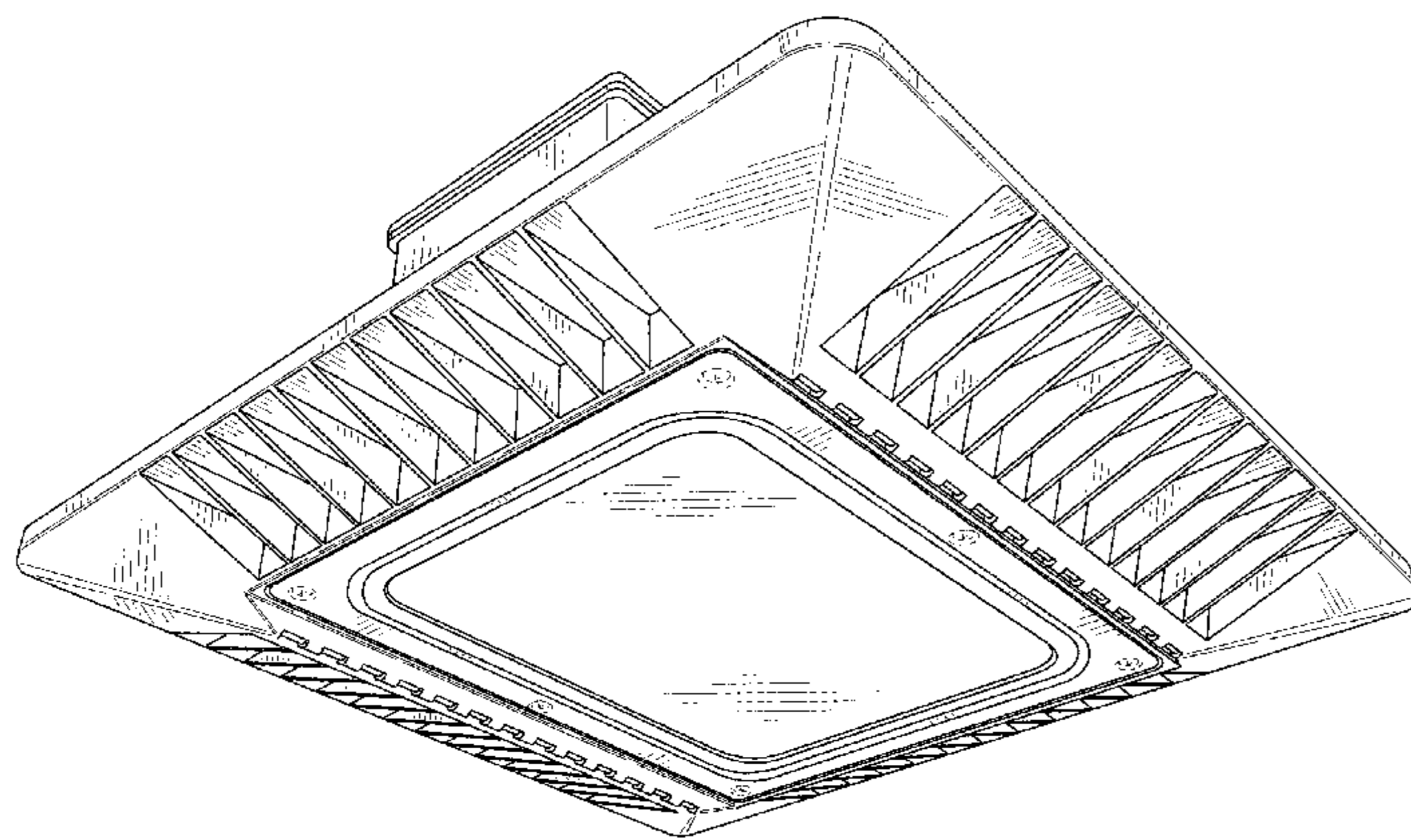
The ornamental design for a canopy luminaire, as shown and described.

DESCRIPTION

FIG. 1 is a first perspective view of a canopy luminaire showing the front, bottom, and left side;
 FIG. 2 is a second perspective view of the canopy luminaire of FIG. 1 showing the front, top, and right side;
 FIG. 3 is a front elevational view of the canopy luminaire of FIG. 1;
 FIG. 4 is a rear elevational view of the canopy luminaire of FIG. 1;
 FIG. 5 is a right side elevational view of the canopy luminaire of FIG. 1;
 FIG. 6 is a left side elevational view of the canopy luminaire of FIG. 1;
 FIG. 7 is a top plan view of the canopy luminaire of FIG. 1; and,
 FIG. 8 is a bottom plan view of the canopy luminaire of FIG. 1.

In the drawings, the broken (phantom) lines depict unclaimed subject matter only and form no part of the claimed design.

1 Claim, 6 Drawing Sheets



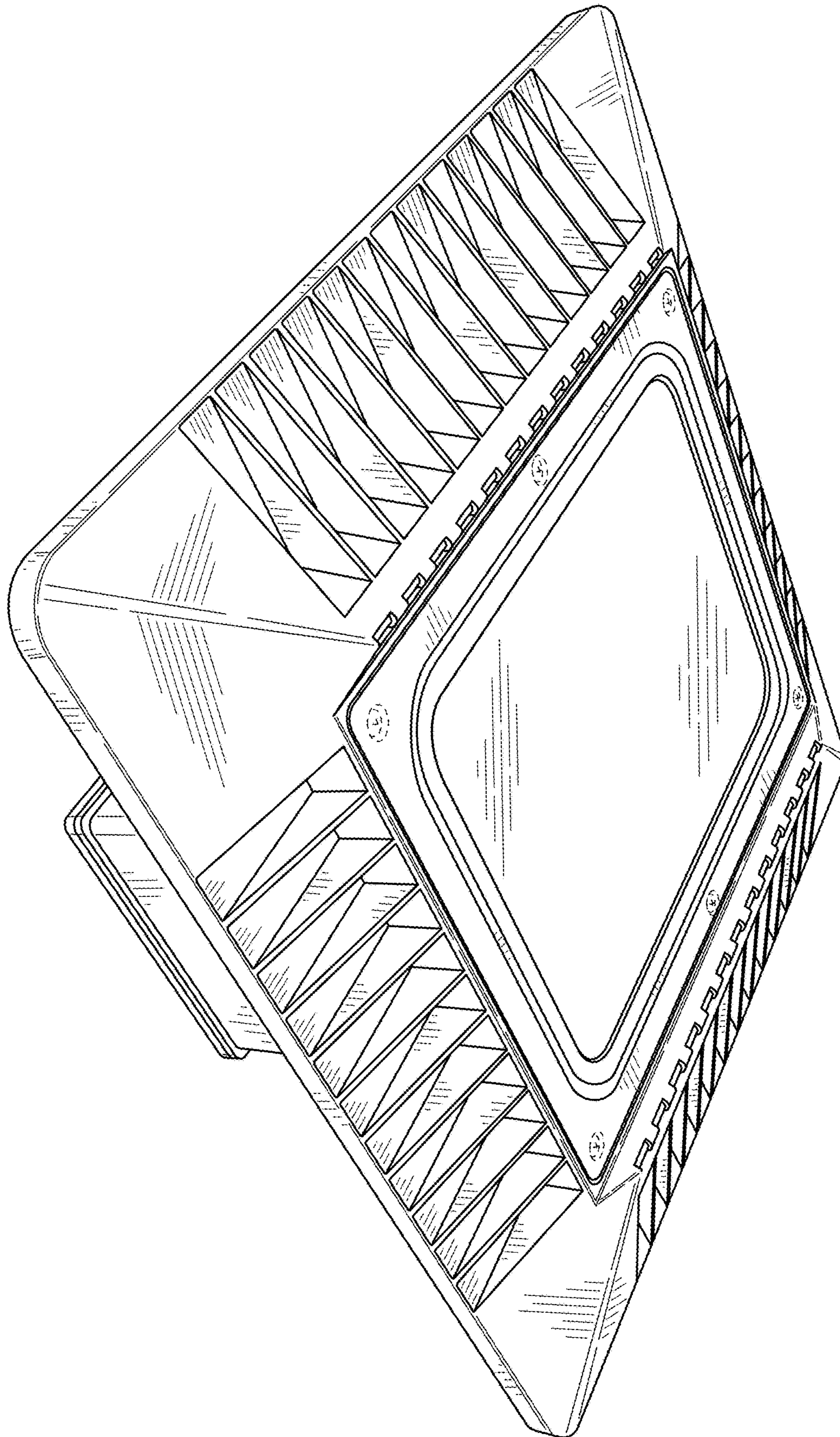


FIG. 1

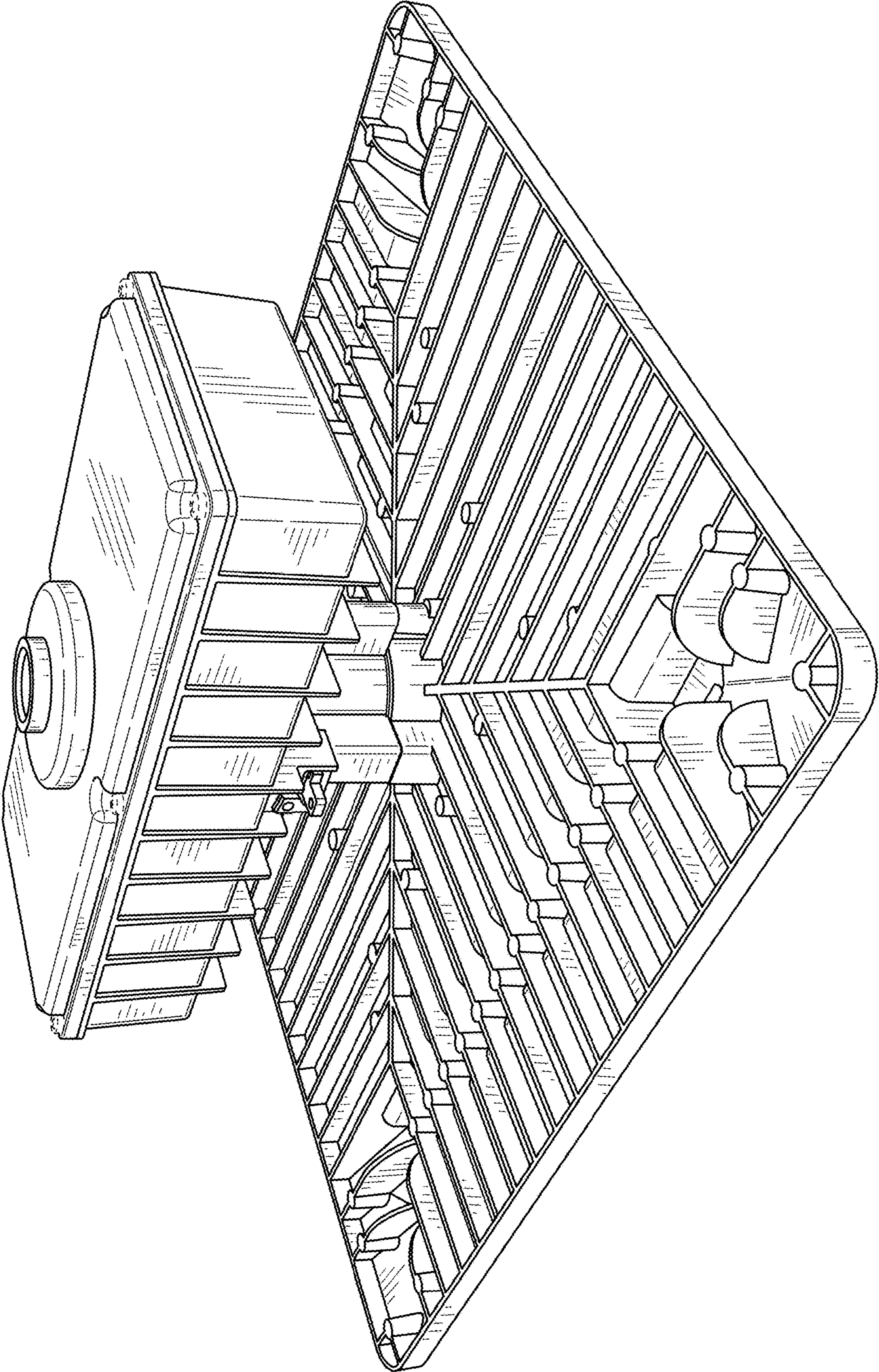


FIG. 2

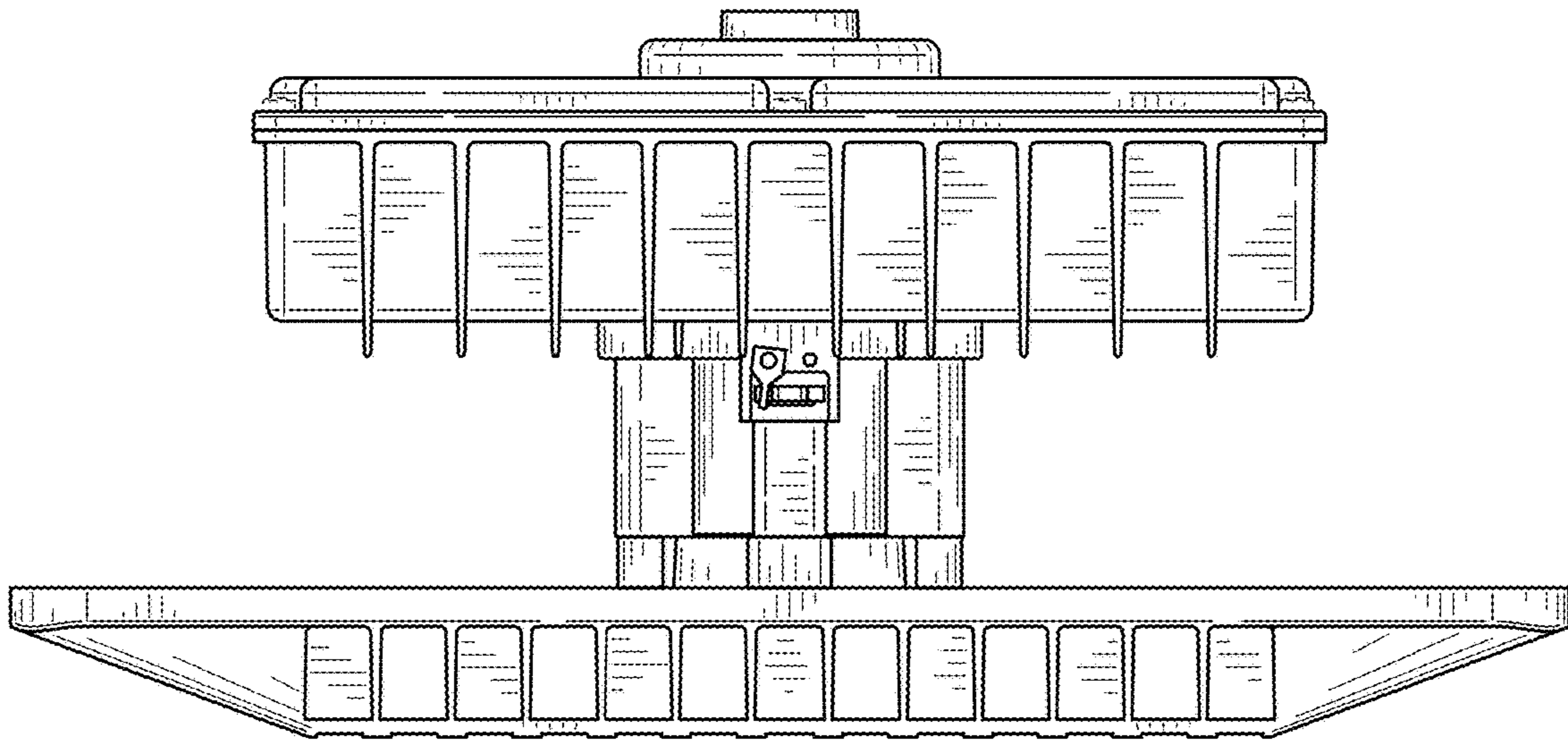


FIG. 3

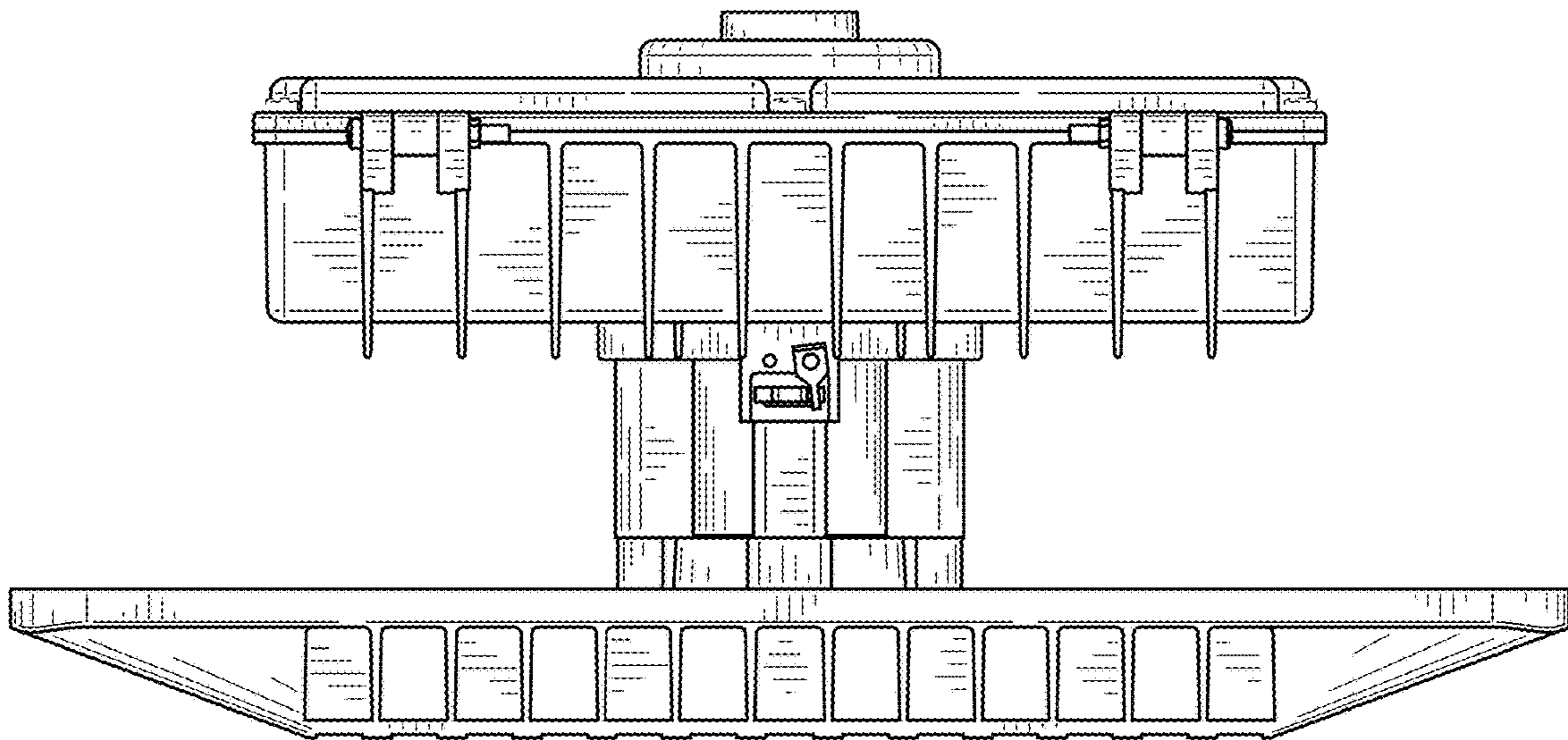


FIG. 4

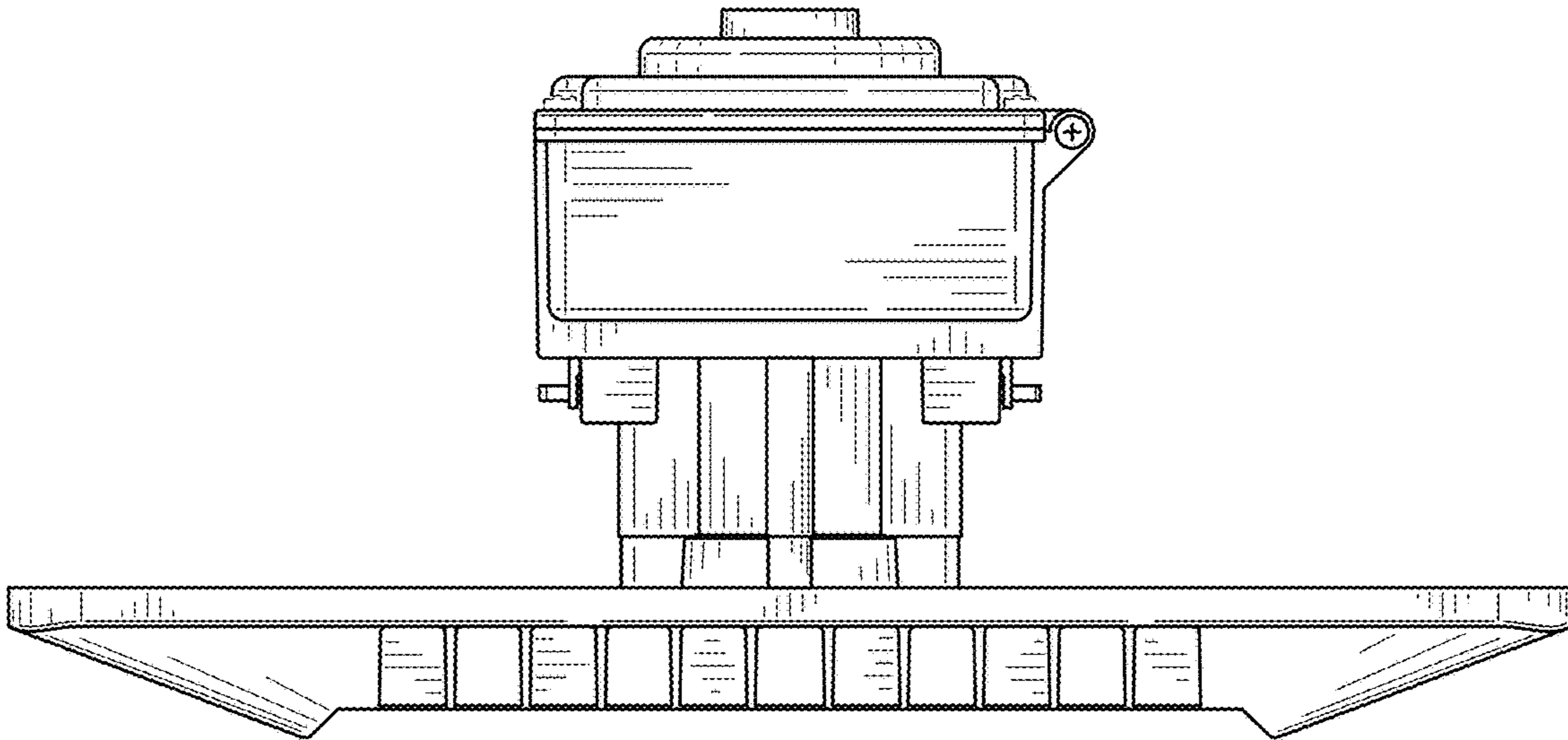


FIG. 5

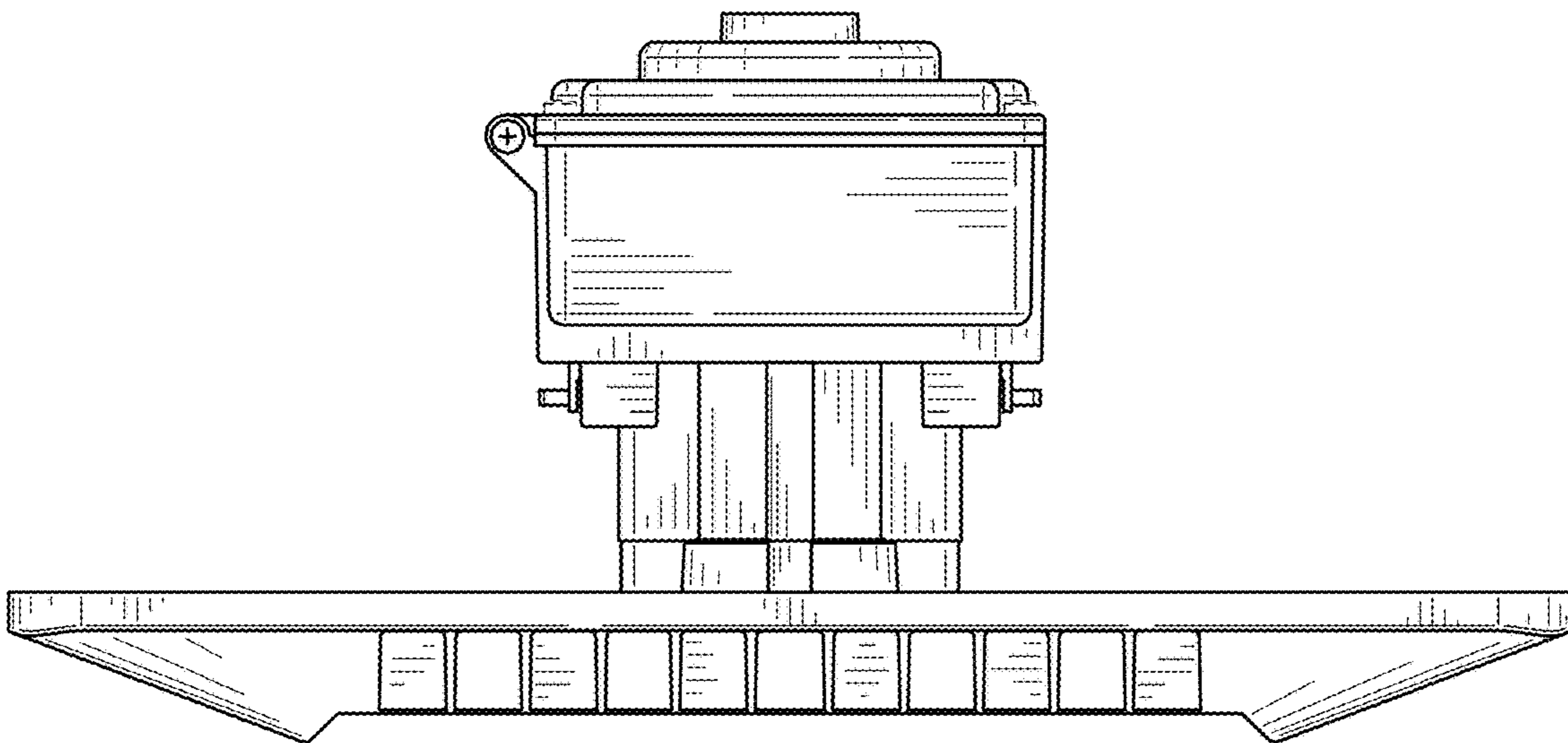


FIG. 6

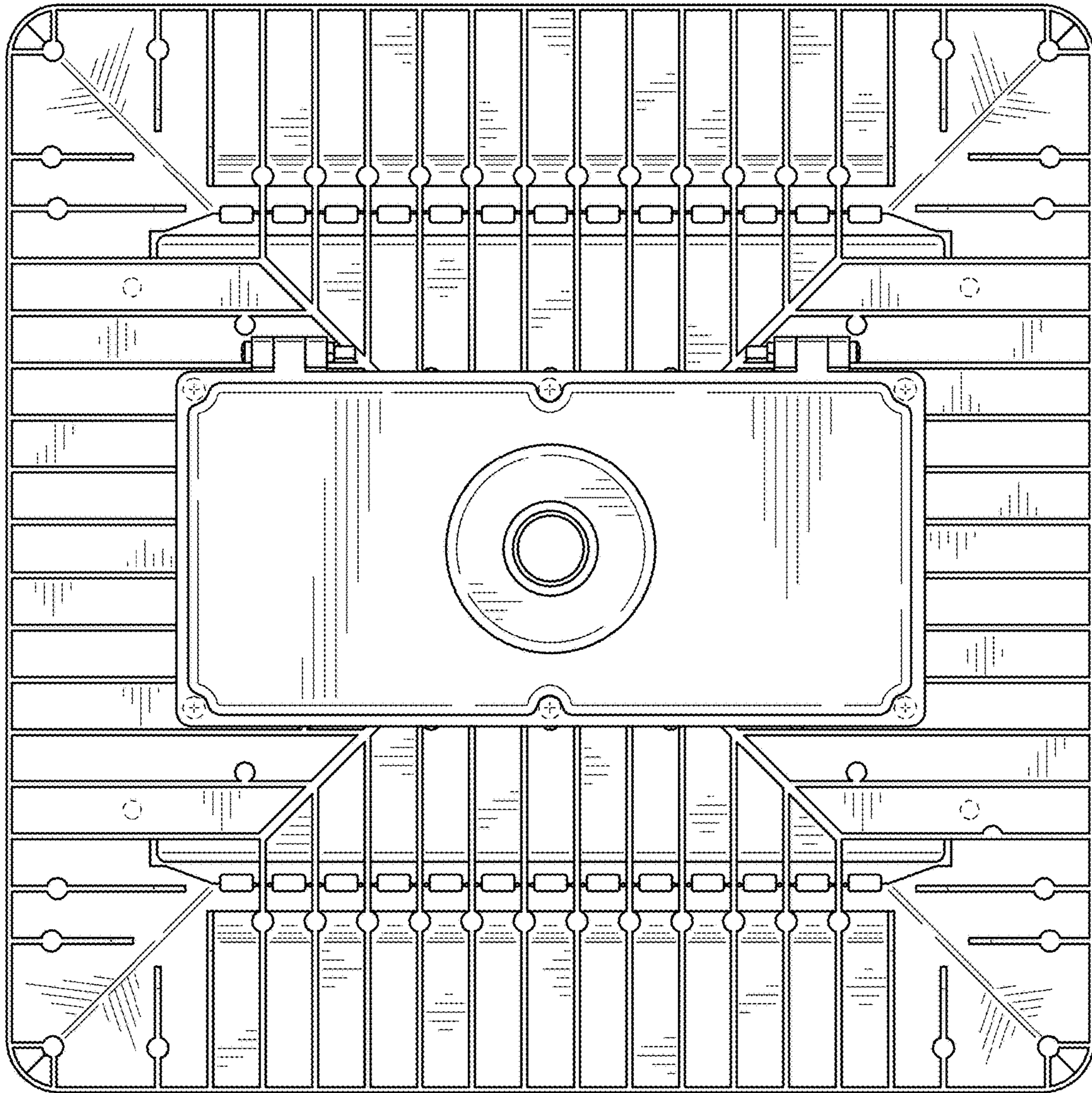


FIG. 7

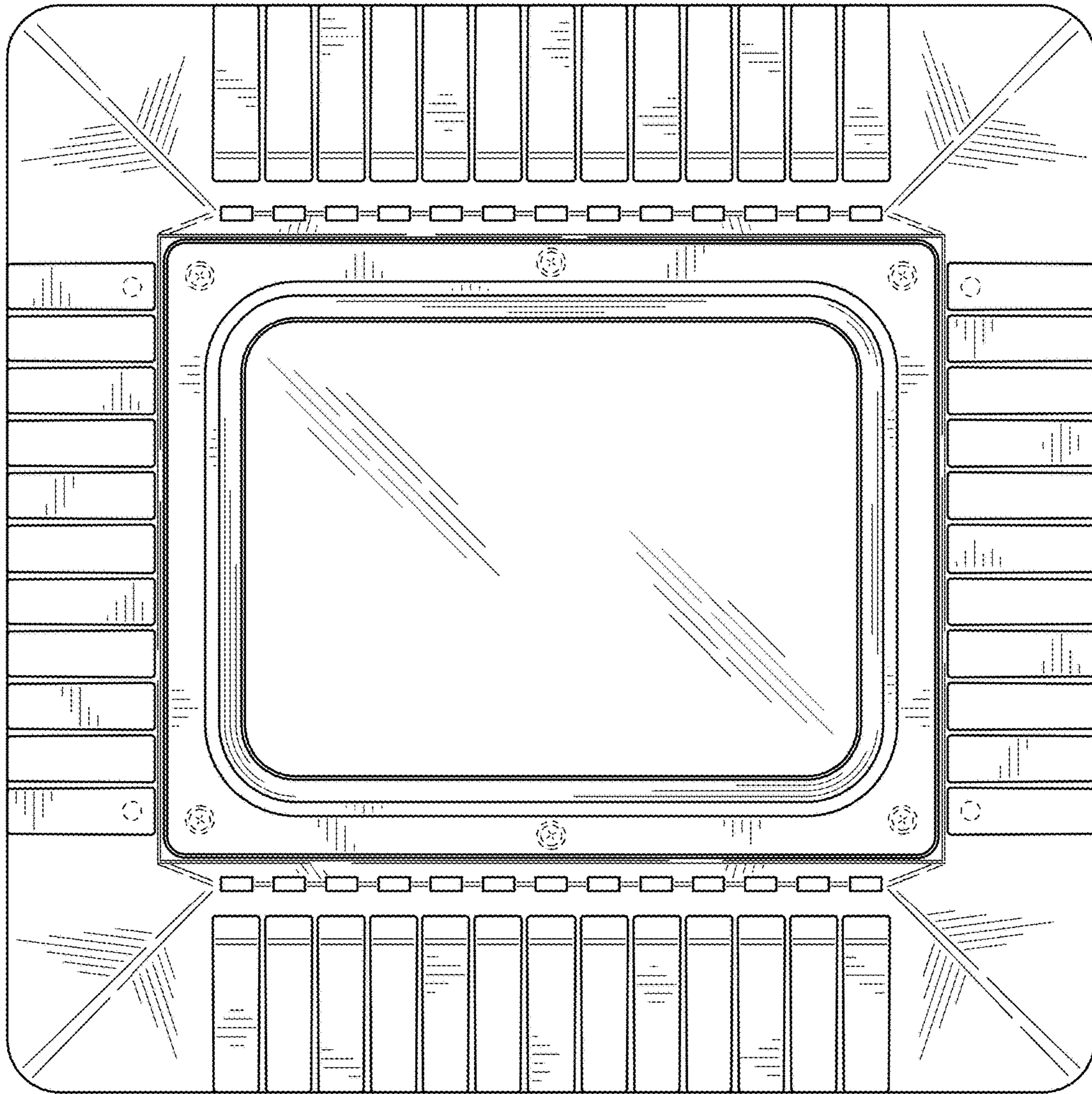


FIG. 8