



US00D812796S

(12) **United States Design Patent**
Ruberg et al.

(10) **Patent No.:** **US D812,796 S**
(45) **Date of Patent:** **** Mar. 13, 2018**

- (54) **OUTDOOR LIGHTING FIXTURE**
- (71) Applicant: **SCHREDER, S.A.**, Brussels (BE)
- (72) Inventors: **Allan Ruberg**, Copenhagen K (DK);
Christian Klinge, Fuglebjerg (DK)
- (73) Assignee: **SCHREDER, S.A.**, Brussels (BE)
- (**) Term: **15 Years**
- (21) Appl. No.: **29/576,916**
- (22) Filed: **Sep. 8, 2016**

(30) **Foreign Application Priority Data**

Mar. 8, 2016 (EM) 003019454-0002

(51) **LOC (11) Cl.** **26-05**

(52) **U.S. Cl.**
USPC **D26/63**

(58) **Field of Classification Search**
USPC D13/134-136; D26/51, 60-71, 76, 78,
D26/80, 85-87, 92, 145; D29/103
CPC F21S 8/036; F21S 8/038; F21S 8/43; F21S
8/81; F21S 8/83; F21S 8/85; F21S 8/86;
F21S 8/88; F21S 9/03; F21S 9/035; F21S
9/037; F21S 10/063; F21S 13/10
See application file for complete search history.

(56) **References Cited**

U.S. PATENT DOCUMENTS

D296,829 S *	7/1988	Peppers	D26/63
D322,135 S *	12/1991	Wierzbicki	D26/24
D615,234 S *	5/2010	Oblak	D26/71
D699,877 S *	2/2014	Song	D26/63
D708,379 S *	7/2014	Ruffalo	D26/71
D708,380 S *	7/2014	Ruffalo	D26/71

D735,395 S *	7/2015	Bobel	D26/92
D735,398 S *	7/2015	Bobel	D26/92
D736,444 S *	8/2015	Boudewyns	D26/63
D740,481 S *	10/2015	Bobel	D26/92
D744,144 S *	11/2015	Bobel	D26/63
D749,767 S *	2/2016	Jin	D26/63
D752,800 S *	3/2016	Yu	D26/85
D762,901 S *	8/2016	Boissevain	D26/63
D767,806 S *	9/2016	Colacilli	D26/63
9,494,309 B2 *	11/2016	Ladewig	F21S 2/00
D782,720 S *	3/2017	Moghal	D26/67
D799,094 S *	10/2017	Li	D26/63
2014/0119036 A1 *	5/2014	Kinnune	F21V 21/00 362/427

* cited by examiner

Primary Examiner — Garth Rademaker

Assistant Examiner — Richard Kearney

(74) *Attorney, Agent, or Firm* — Kirschstein, et al.

(57) **CLAIM**

The ornamental design for an outdoor lighting fixture, as shown and described.

DESCRIPTION

FIG. 1 is a perspective view of an outdoor lighting fixture as seen from above according to our new design.

FIG. 2 is a top plan view thereof.

FIG. 3 is a rear elevational view thereof.

FIG. 4 is a right side elevational view thereof.

FIG. 5 is a left side elevational view thereof.

FIG. 6 is a front elevational view thereof.

FIG. 7 is a bottom plan view thereof; and,

FIG. 8 is a perspective view thereof as seen from below.

The broken lines shown in the drawings illustrate portions of the outdoor lighting fixture that form no part of the claimed design.

1 Claim, 8 Drawing Sheets

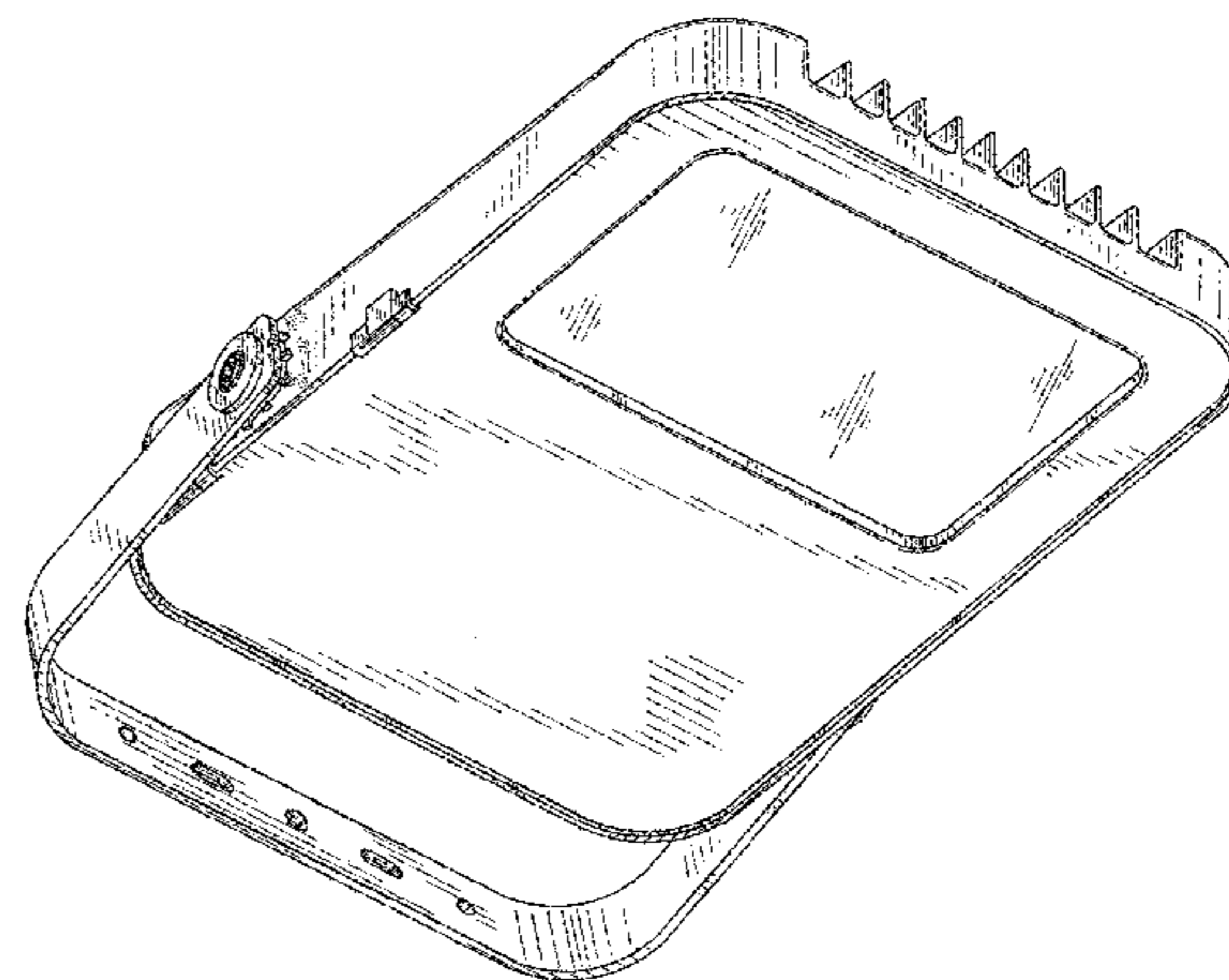
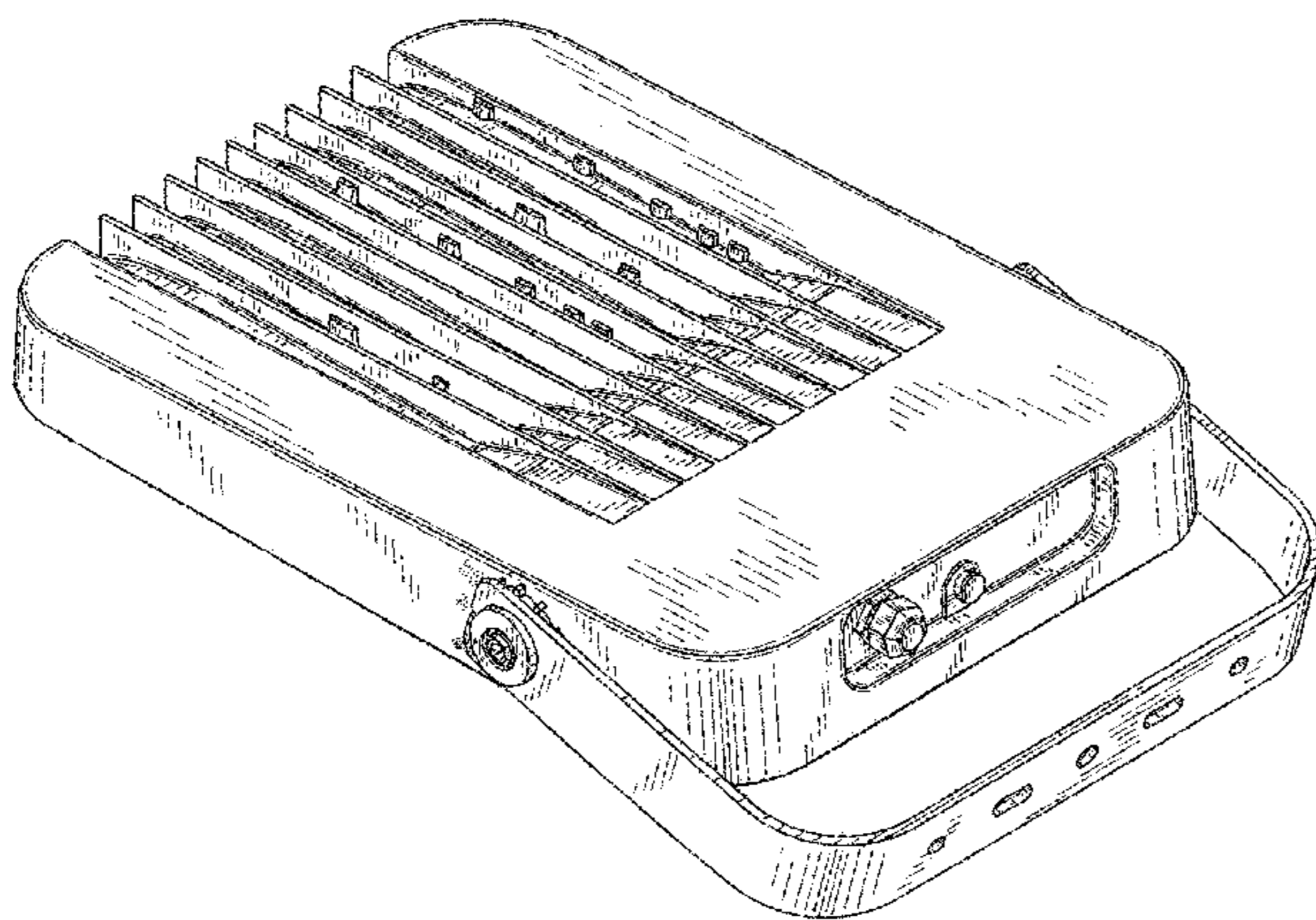


FIG. 1

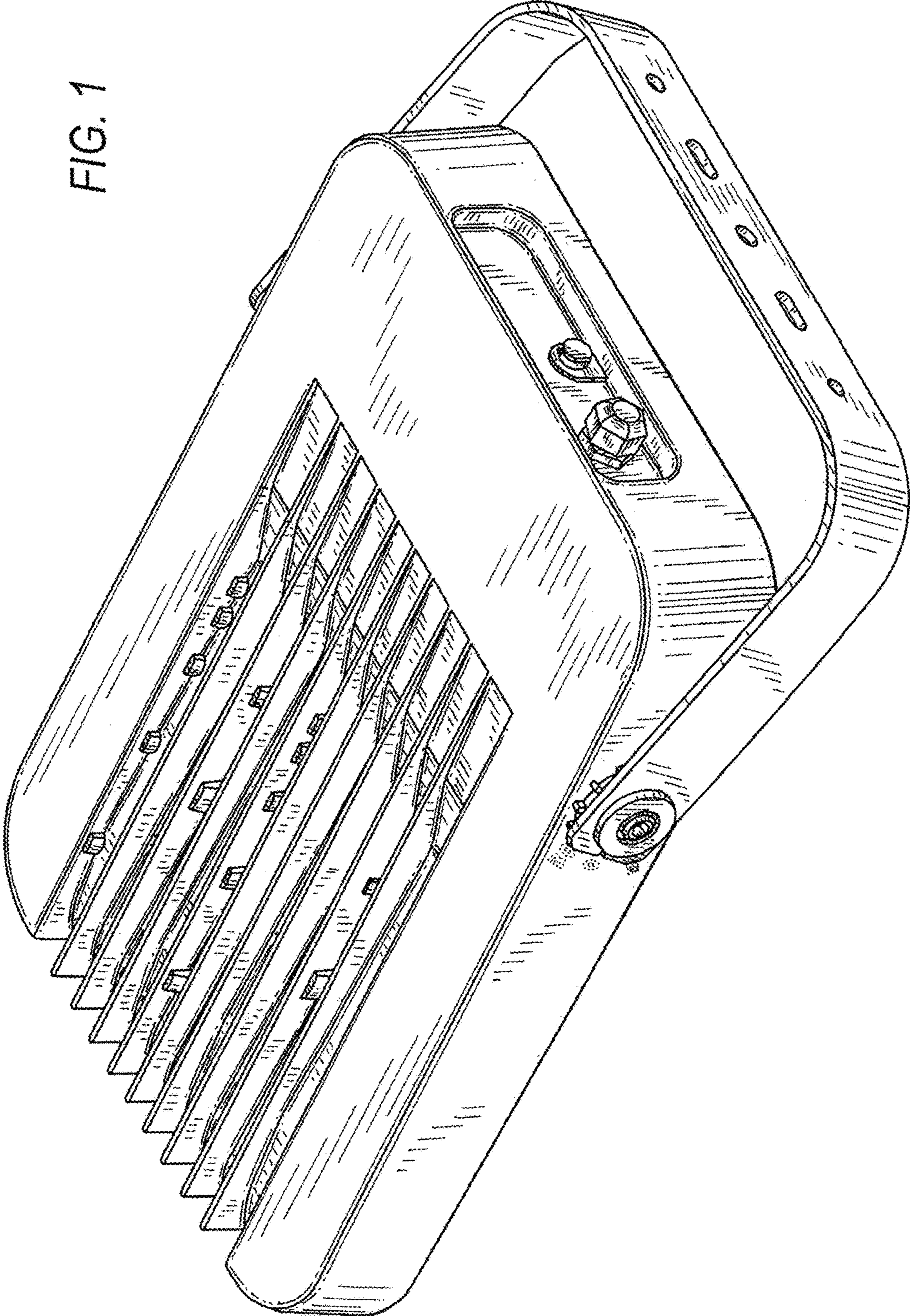
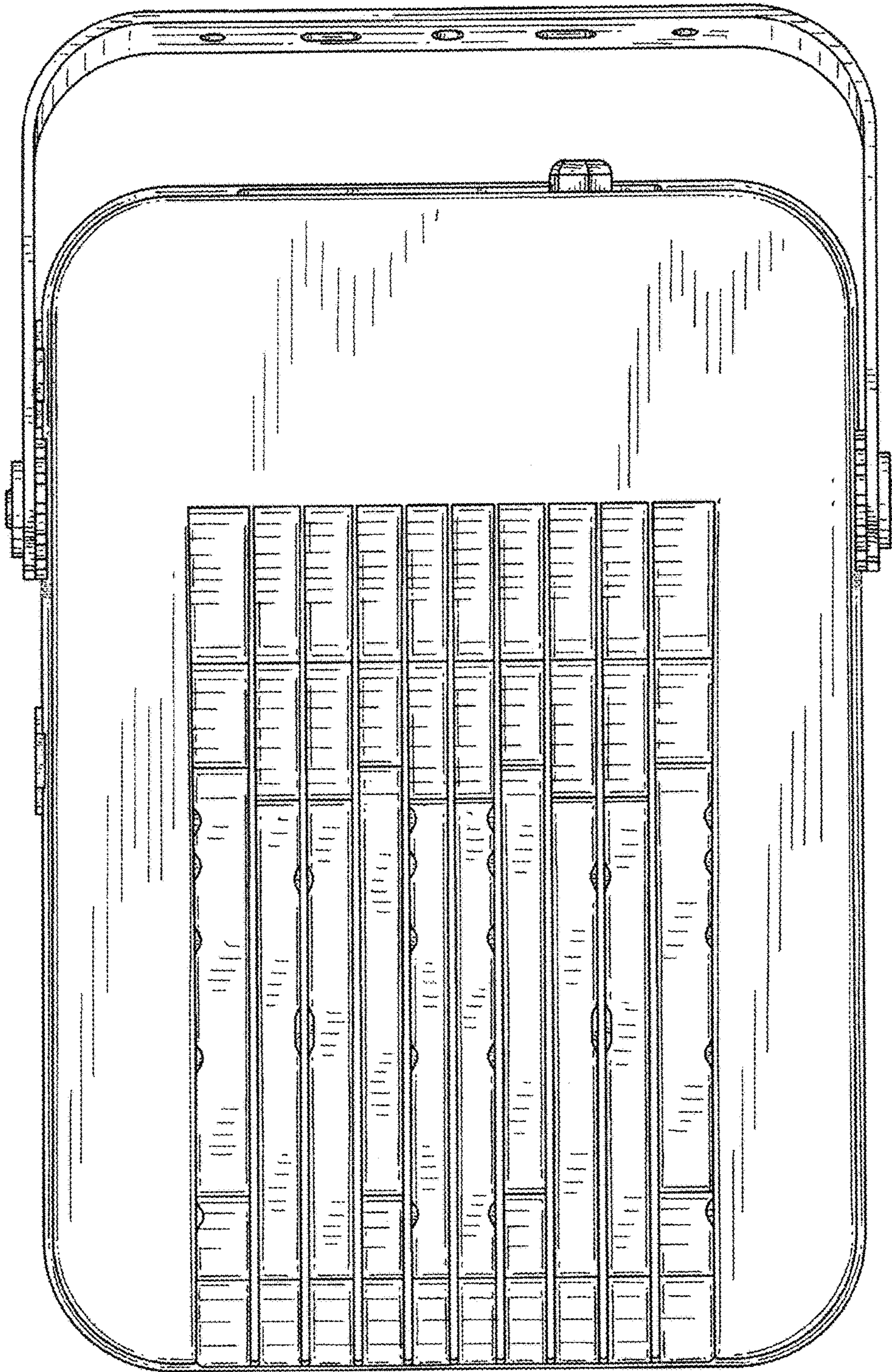


FIG. 2



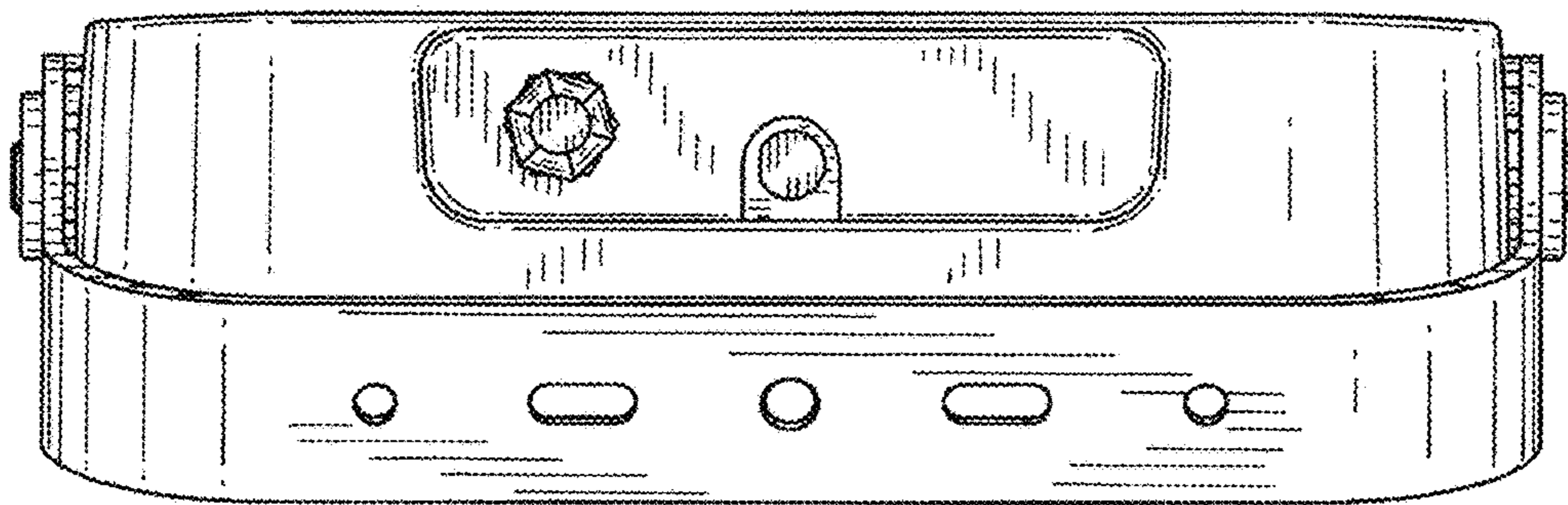


FIG. 3

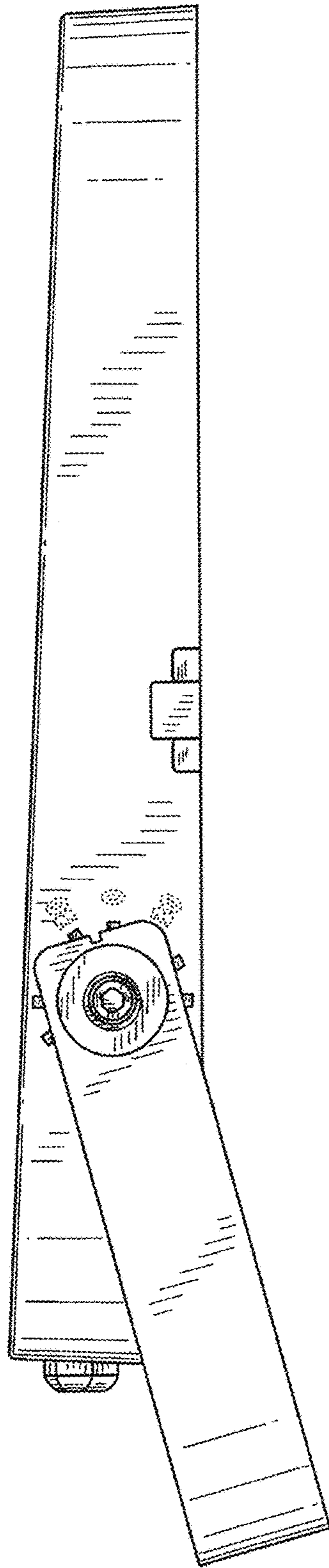


FIG. 4

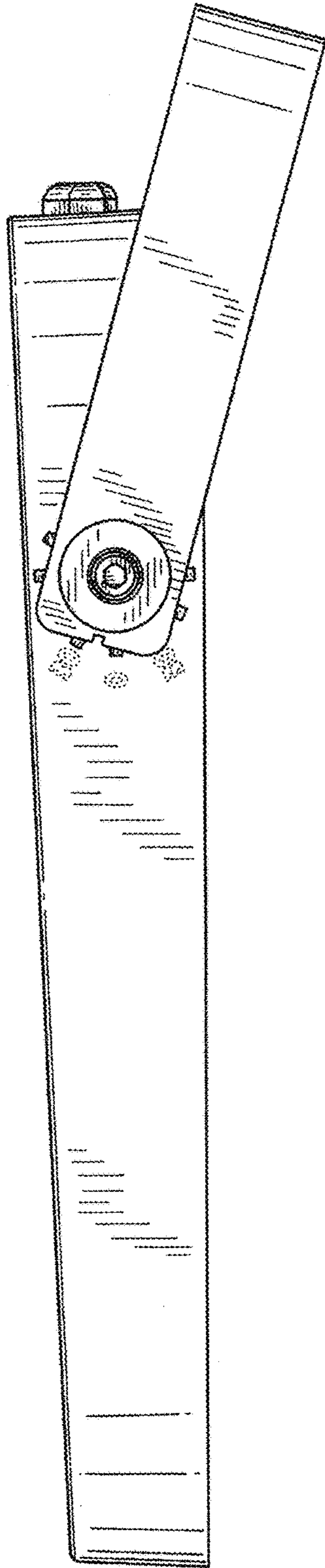


FIG. 5

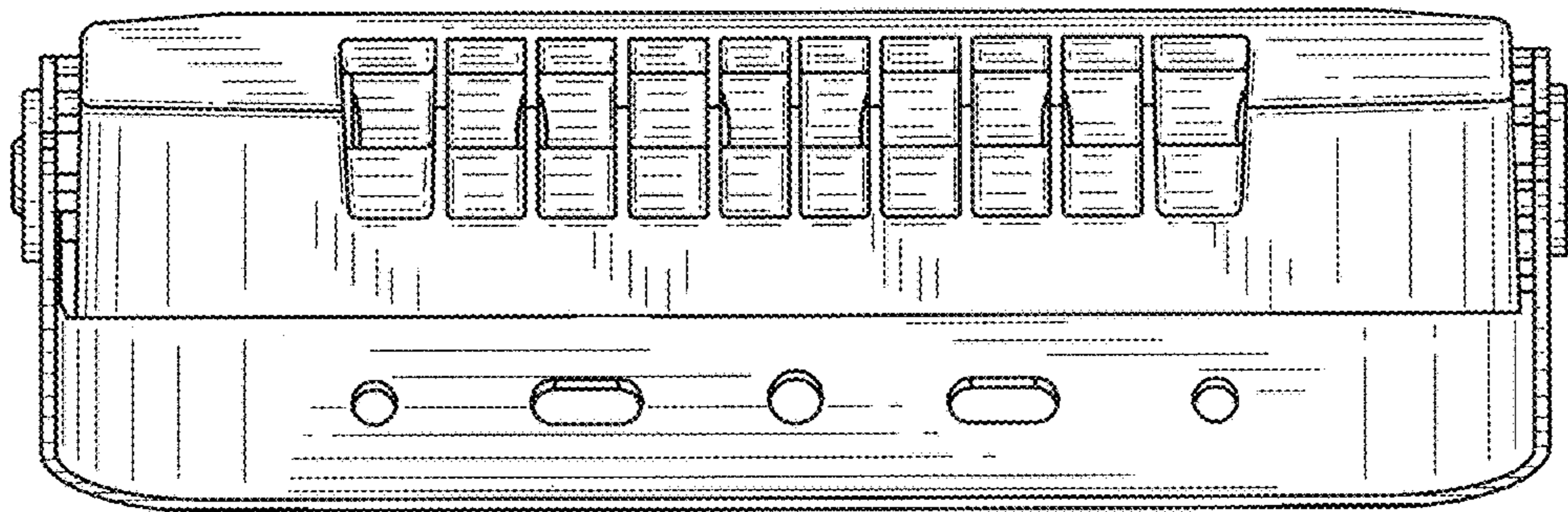
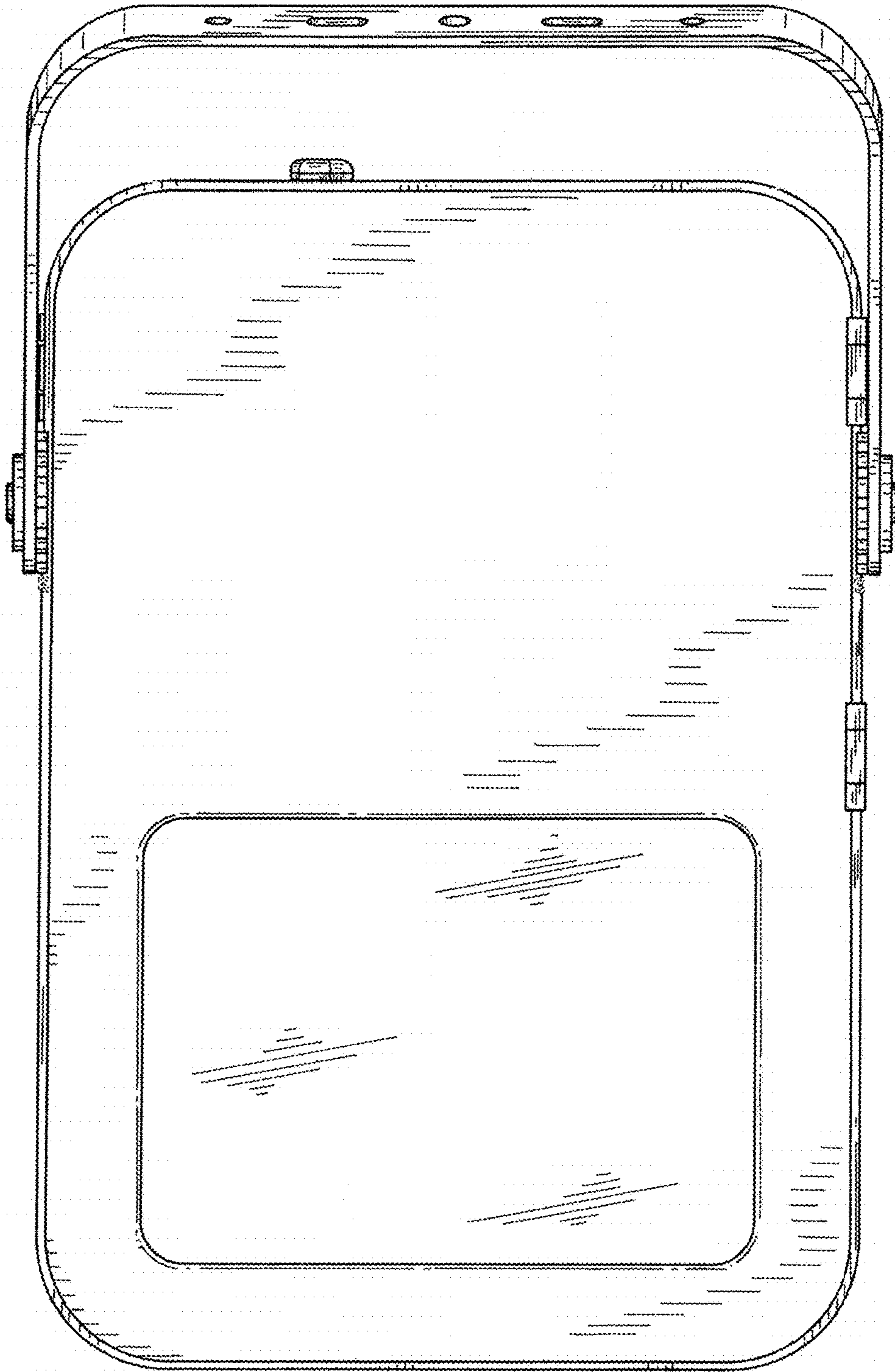


FIG. 6

FIG. 7



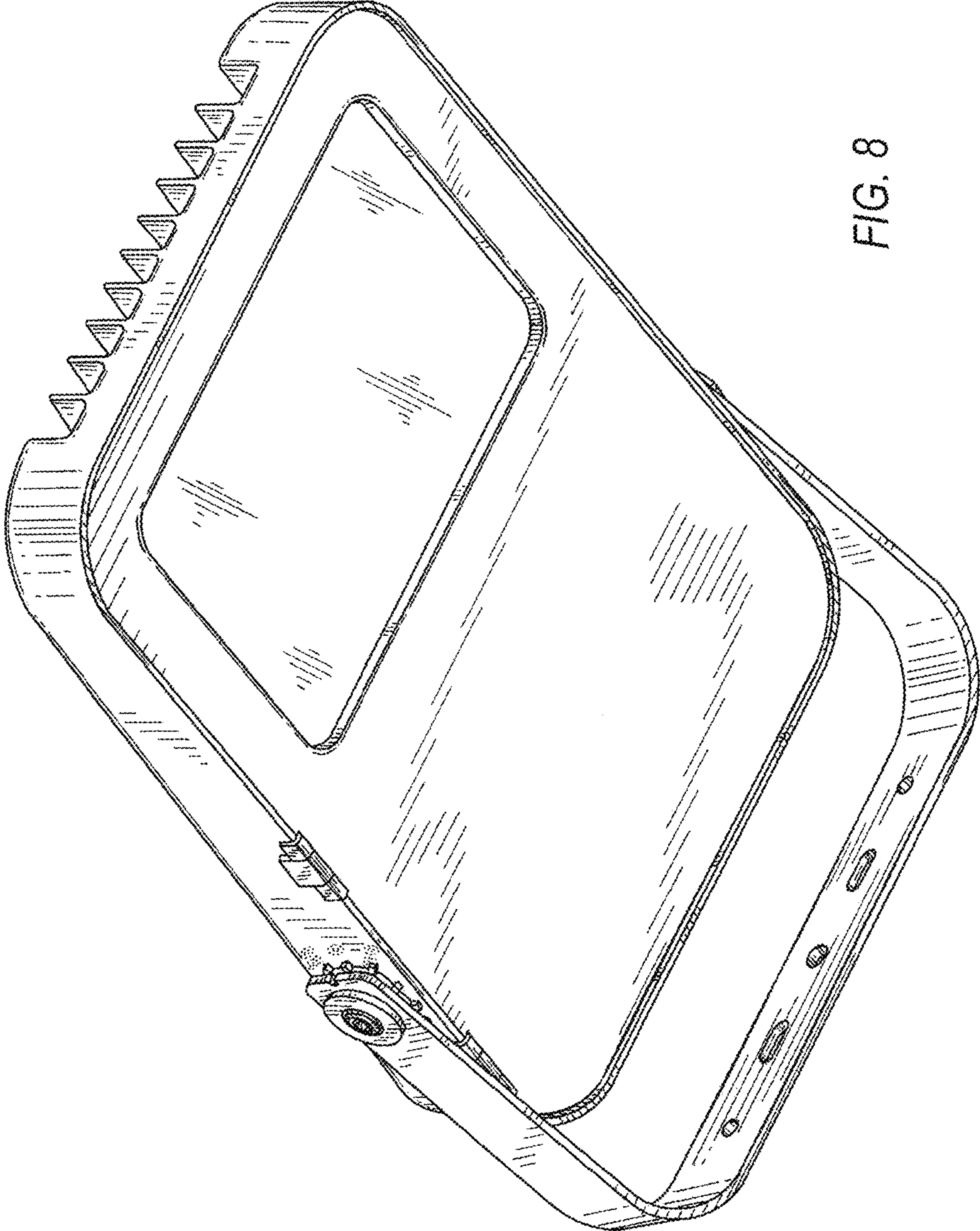


FIG. 8