



US00D812795S

(12) **United States Design Patent**  
**Ruberg et al.**

(10) **Patent No.:** **US D812,795 S**  
(45) **Date of Patent:** **\*\* \*Mar. 13, 2018**

- (54) **OUTDOOR LIGHTING FIXTURE**
- (71) Applicant: **SCHREDER, S.A.**, Brussels (BE)
- (72) Inventors: **Allan Ruberg**, Copenhagen K (DK);  
**Christian Klinge**, Fuglebjerg (DK)
- (73) Assignee: **SCHREDER, S.A.**, Brussels (BE)
- (\*) Notice: This patent is subject to a terminal disclaimer.
- (\*\*) Term: **15 Years**

- (21) Appl. No.: **29/576,914**
- (22) Filed: **Sep. 8, 2016**
- (30) **Foreign Application Priority Data**  
Mar. 8, 2016 (EM) ..... 003019454-0001
- (51) **LOC (11) Cl.** ..... **26-05**
- (52) **U.S. Cl.**  
USPC ..... **D26/63**
- (58) **Field of Classification Search**  
USPC ..... D13/134-136; D26/51, 60-71, 76, 78,  
D26/80, 85-87, 92, 145; D29/103  
CPC .... F21S 8/036; F21S 8/038; F21S 8/43; F21S  
8/81; F21S 8/83; F21S 8/85; F21S 8/86;  
F21S 8/88; F21S 9/03; F21S 9/035; F21S  
9/037; F21S 10/063; F21S 13/10  
See application file for complete search history.

- (56) **References Cited**  
**U.S. PATENT DOCUMENTS**  
D296,829 S \* 7/1988 Peppers ..... D26/63  
D322,135 S \* 12/1991 Wierzbicki ..... D26/24  
D615,234 S \* 5/2010 Oblak ..... D26/71  
D699,877 S \* 2/2014 Song ..... D26/63

- D708,379 S \* 7/2014 Ruffalo ..... D26/71
- D708,380 S \* 7/2014 Ruffalo ..... D26/71
- D735,395 S \* 7/2015 Bobel ..... D26/92
- D735,398 S \* 7/2015 Bobel ..... D26/92
- D736,444 S \* 8/2015 Boudewyns ..... D26/63
- D740,481 S \* 10/2015 Bobel ..... D26/92
- D744,144 S \* 11/2015 Bobel ..... D26/63
- D749,767 S \* 2/2016 Jin ..... D26/63
- D752,800 S \* 3/2016 Yu ..... D26/85
- D762,901 S \* 8/2016 Boissevain ..... D26/63
- D767,806 S \* 9/2016 Colacilli ..... D26/63
- 9,494,309 B2 \* 11/2016 Ladewig ..... F21S 2/00
- D782,720 S \* 3/2017 Moghal ..... D26/67
- D799,094 S \* 10/2017 Li ..... D26/63
- 2014/0119036 A1 \* 5/2014 Kinnune ..... F21V 21/00  
362/427

\* cited by examiner

*Primary Examiner* — Cathron C Brooks  
*Assistant Examiner* — Richard Kearney  
(74) *Attorney, Agent, or Firm* — Kirschstein, et al.

(57) **CLAIM**  
The ornamental design for an outdoor lighting fixture, as shown and described.

**DESCRIPTION**  
FIG. 1 is a perspective view of an outdoor lighting fixture as seen from above according to our new design.  
FIG. 2 is a top plan view thereof.  
FIG. 3 is a rear elevational view thereof.  
FIG. 4 is a right side elevational view thereof.  
FIG. 5 is a left side elevational view thereof.  
FIG. 6 is a front devotional view thereof.  
FIG. 7 is a bottom plan view thereof; and,  
FIG. 8 is a perspective view thereof as seen from below.  
The broken lines shown in the drawings illustrate portions of the outdoor lighting fixture that form no part of the claimed design.

**1 Claim, 8 Drawing Sheets**

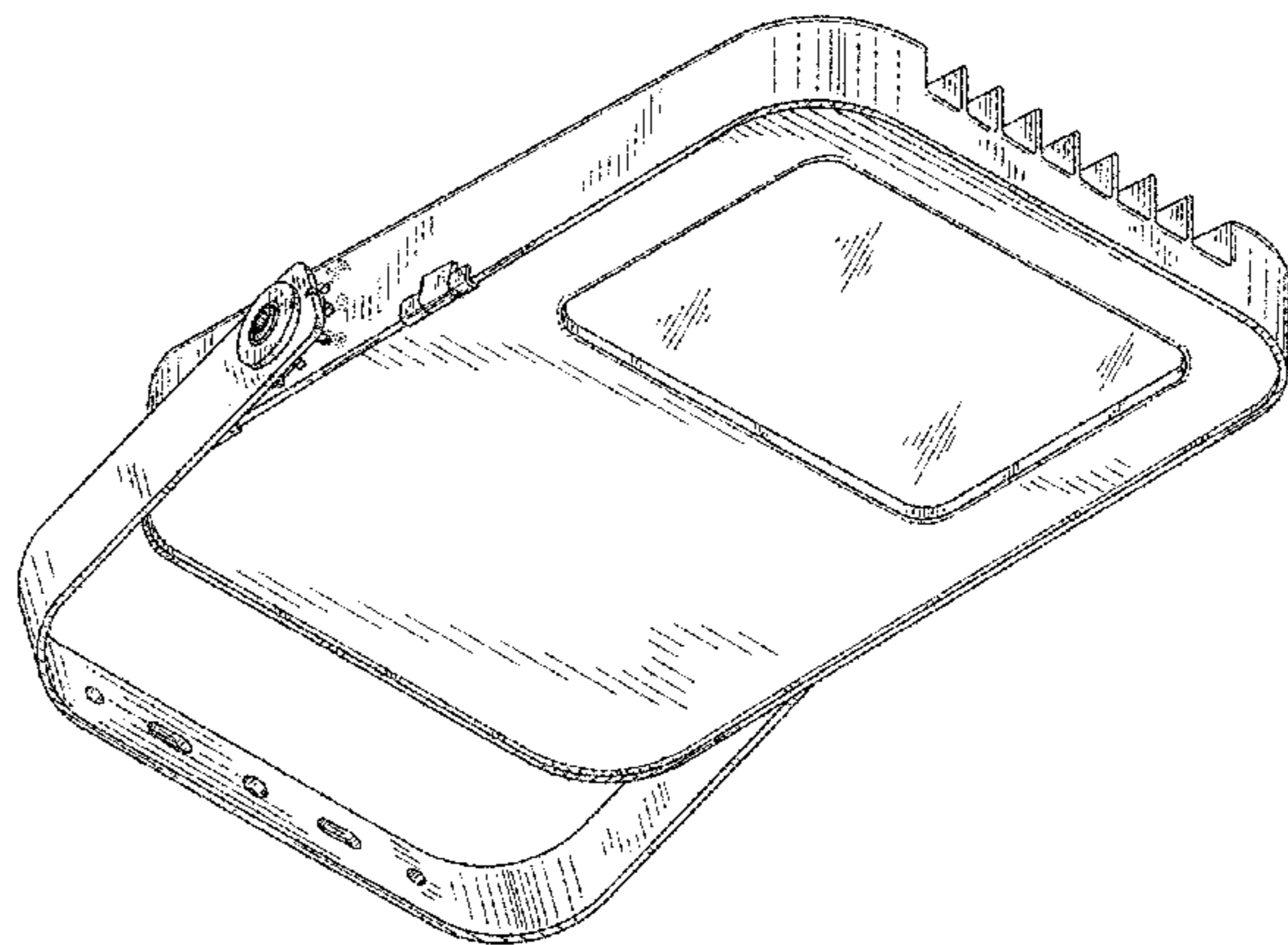
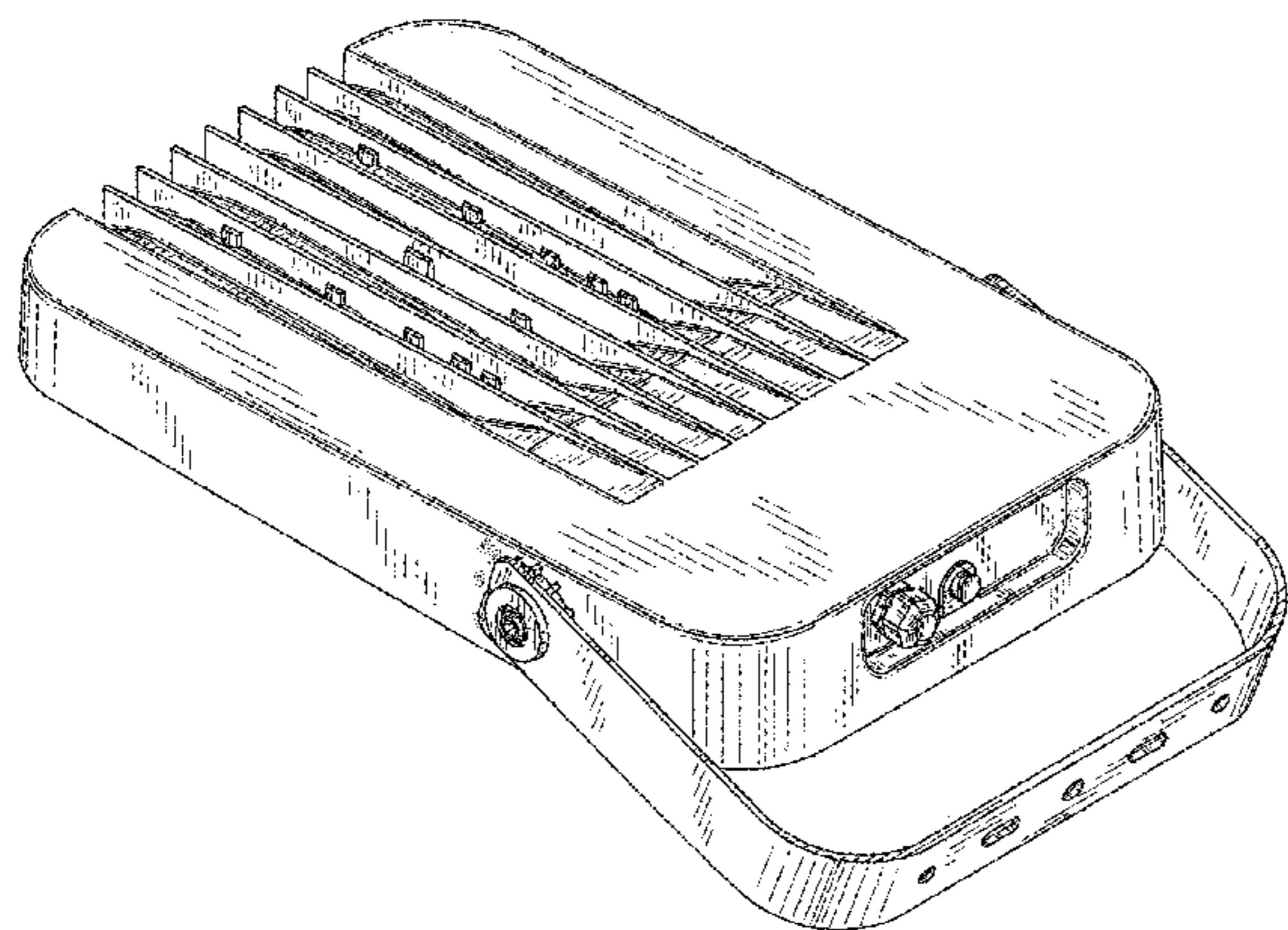


FIG. 1

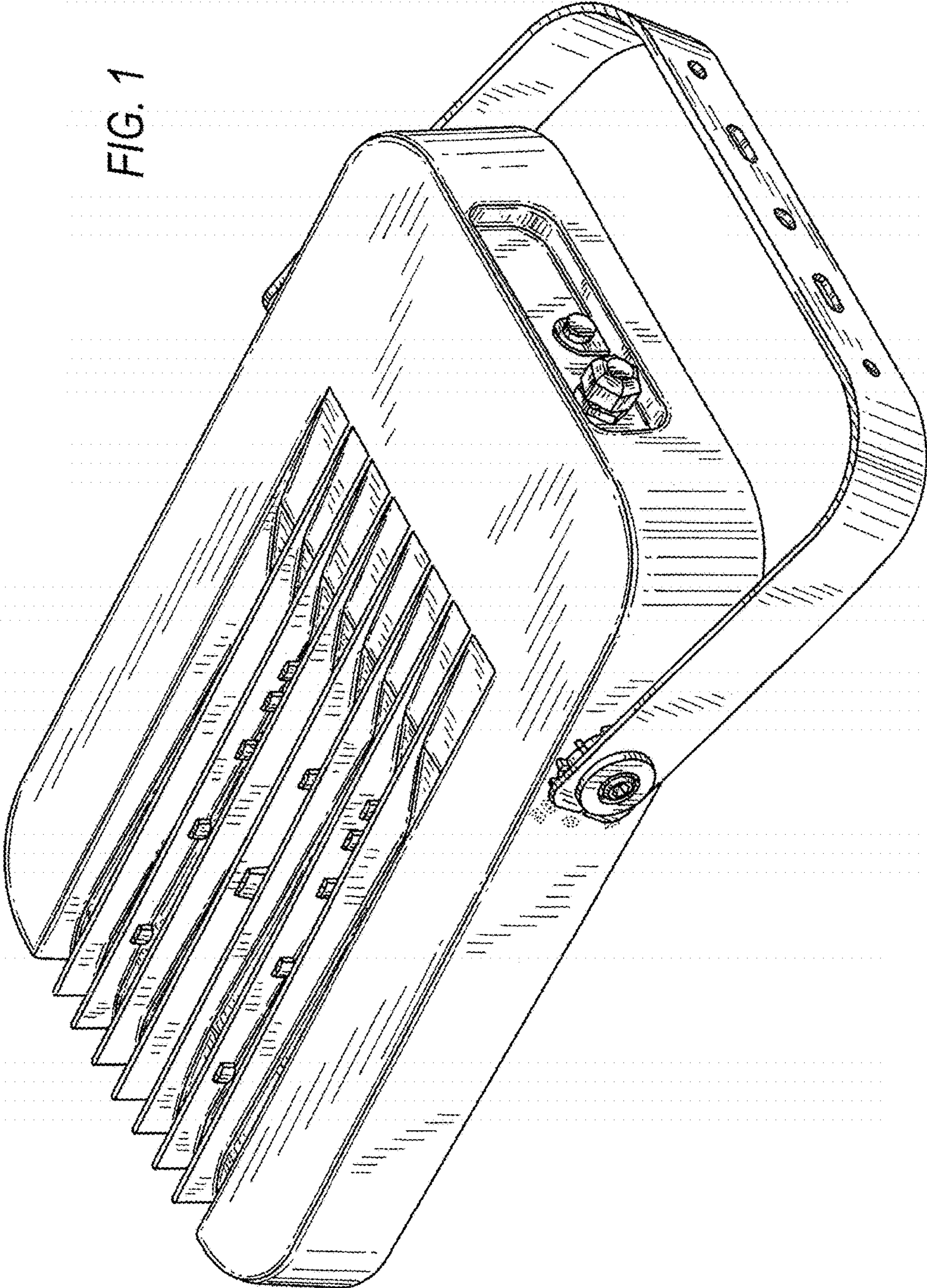
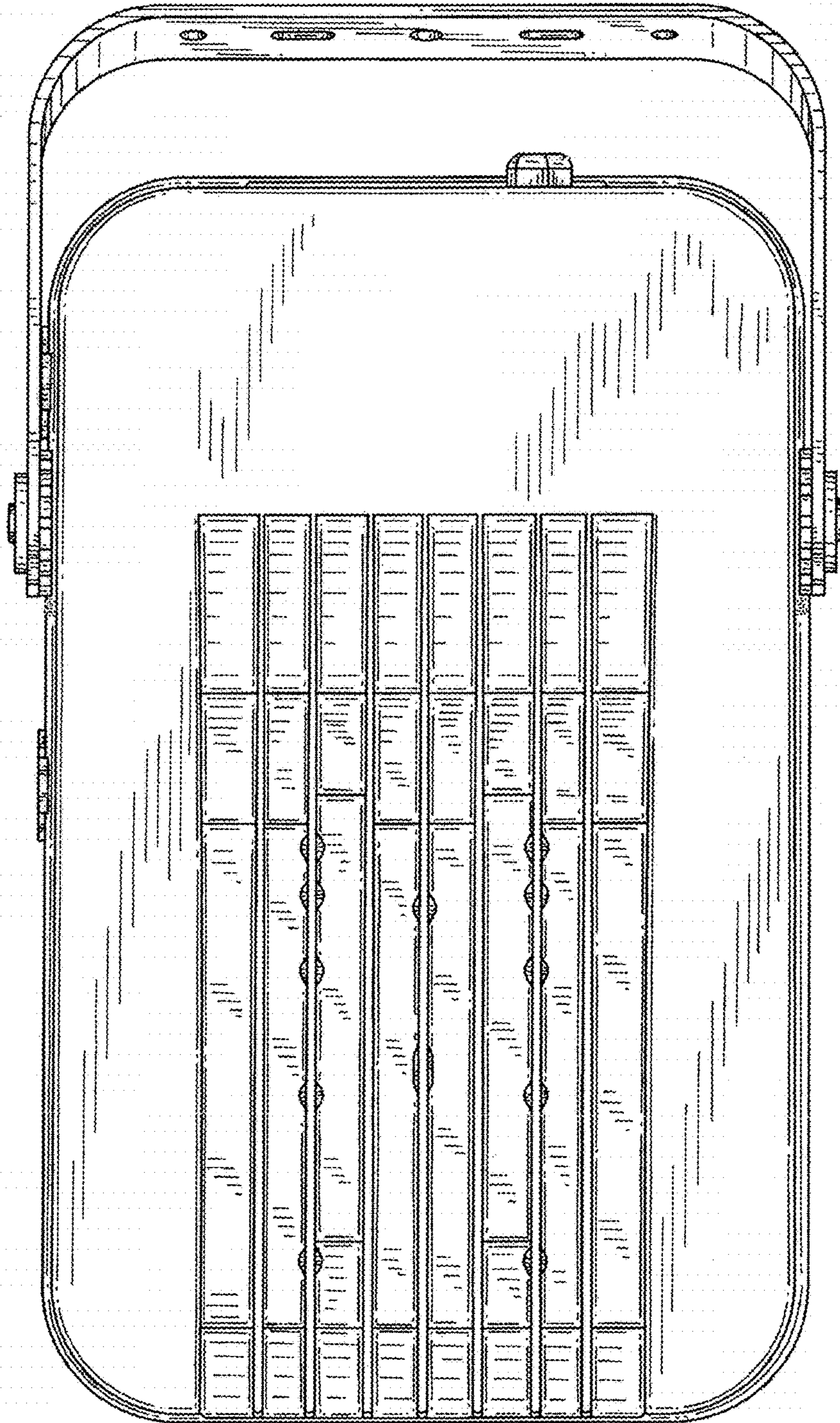


FIG. 2



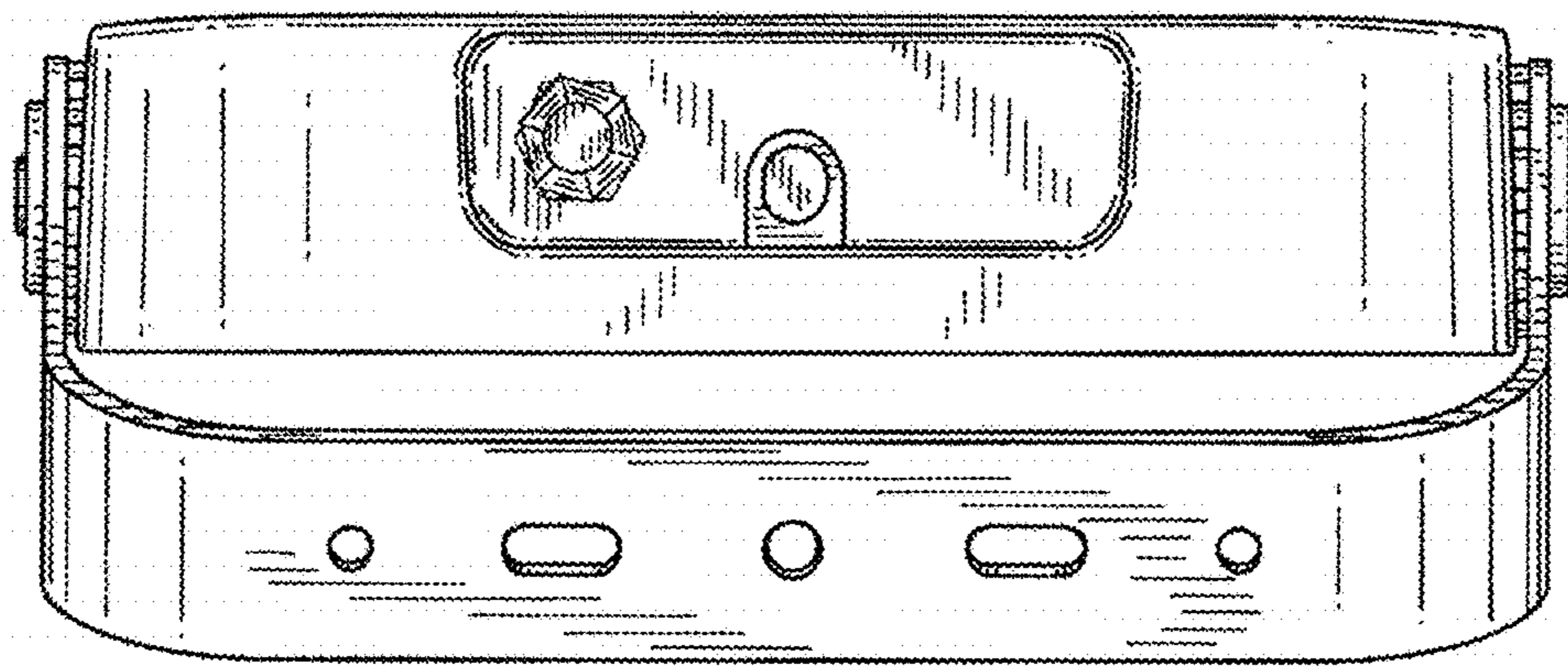


FIG. 3

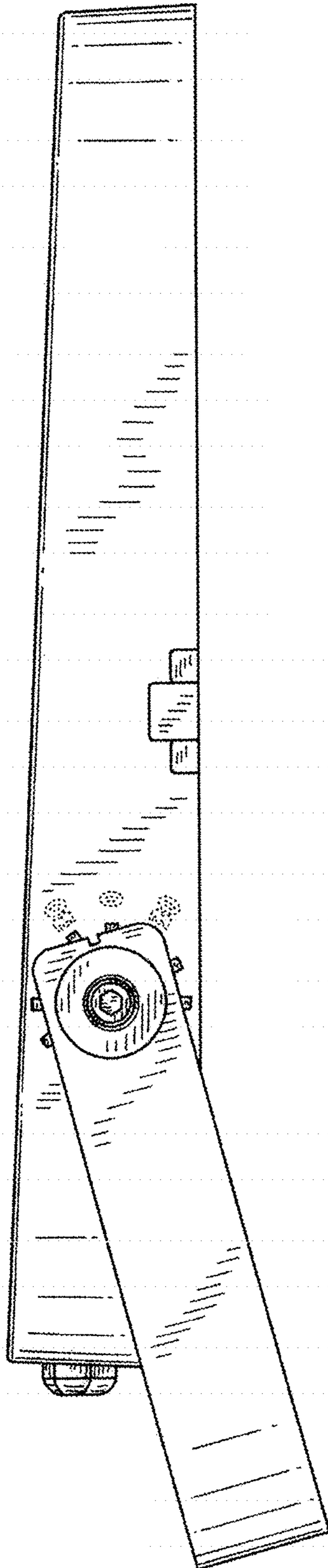


FIG. 4

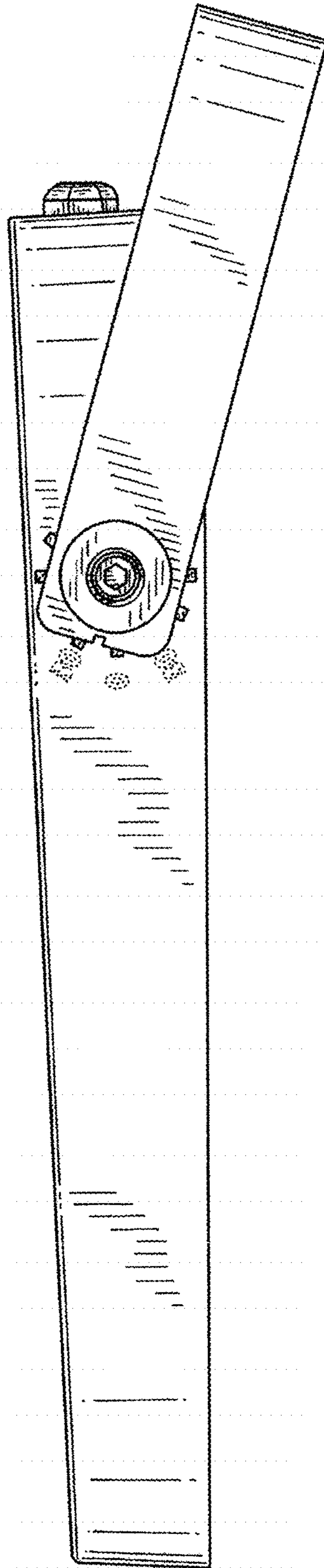


FIG. 5

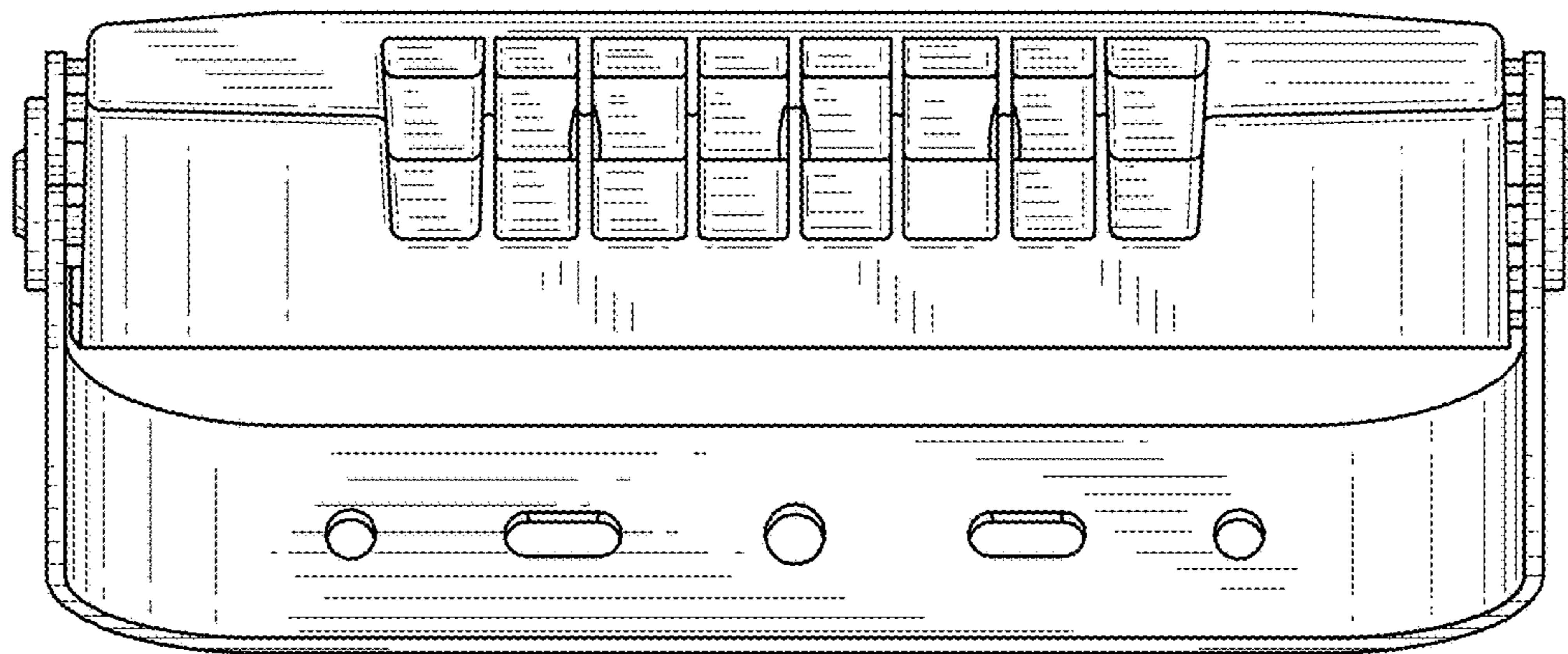


FIG. 6

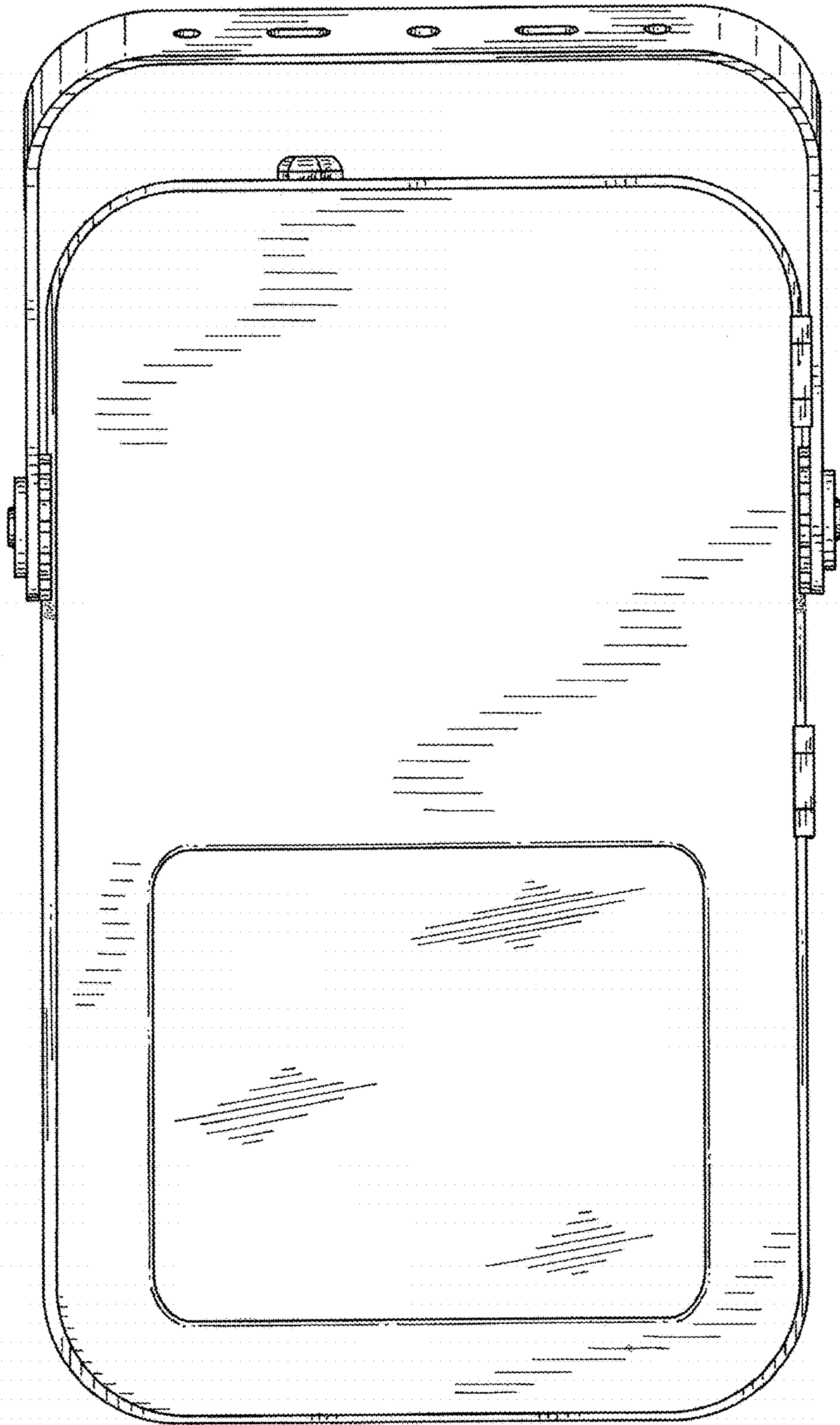


FIG. 7



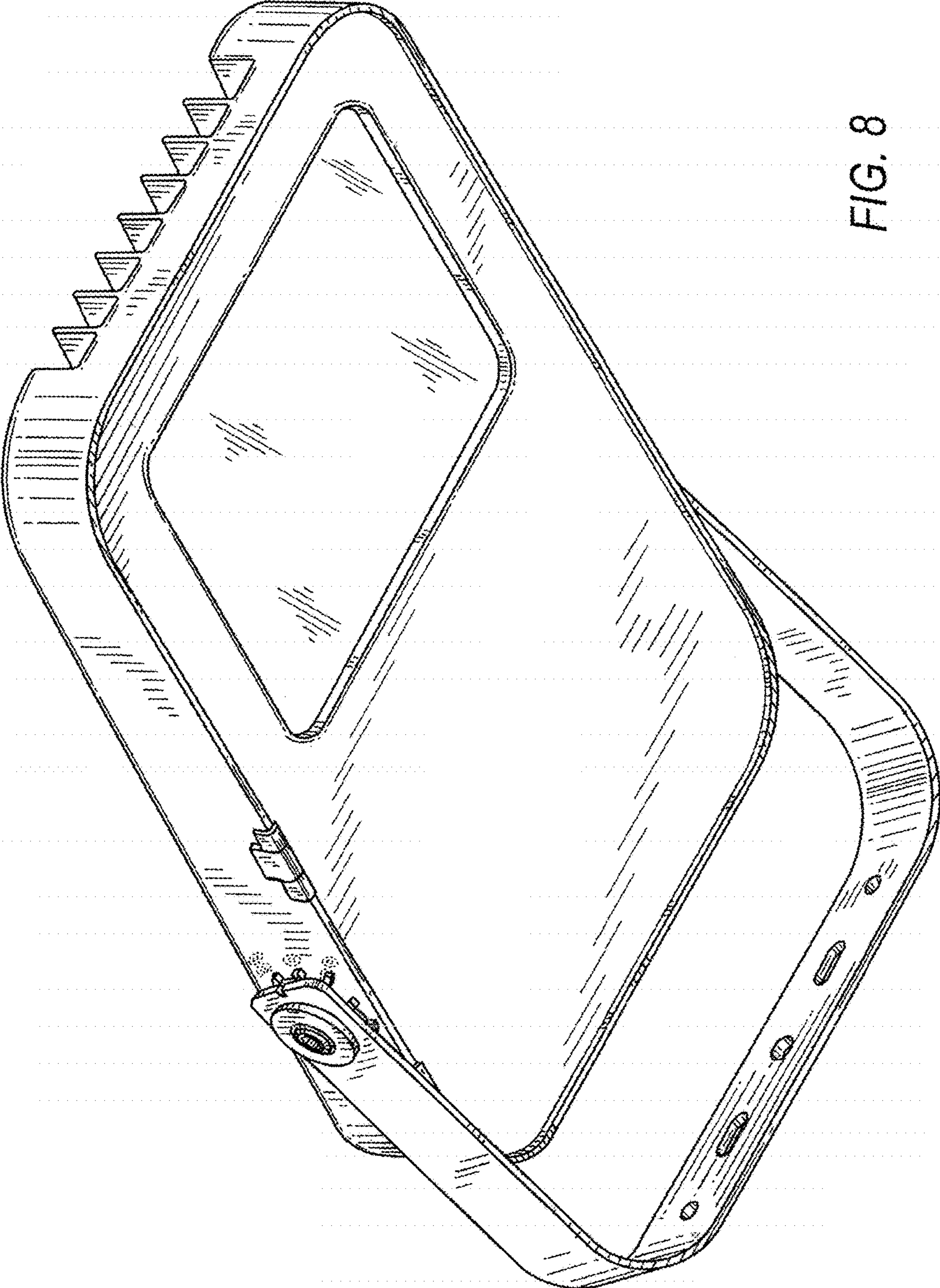


FIG. 8