



US00D812793S

(12) **United States Design Patent**
Huang

(10) **Patent No.:** **US D812,793 S**
(45) **Date of Patent:** **** Mar. 13, 2018**

(54) **HEADLAMP**

(71) Applicant: **Chia-Ling Huang**, Taoyuan (TW)

(72) Inventor: **Chia-Ling Huang**, Taoyuan (TW)

(**) Term: **15 Years**

(21) Appl. No.: **29/563,529**

(22) Filed: **May 5, 2016**

(51) **LOC (11) Cl.** **26-02**

(52) **U.S. Cl.**
USPC **D26/39**

(58) **Field of Classification Search**
USPC D26/37, 38, 44, 42, 43, 48, 51, 39
CPC F21L 2003/00; F21L 4/00; F21L 4/005;
F21L 4/02; F21L 4/025; F21L 4/027;
F21L 4/04; F21L 4/08; F21L 2005/00;
F21L 7/00; F21L 11/00; F21L 13/00;
F21L 13/04; F21L 13/08; F21L 14/02;
F21L 17/00; F21L 19/00

See application file for complete search history.

(56) **References Cited**

U.S. PATENT DOCUMENTS

D552,278 S *	10/2007	Spartano	D26/39
D560,008 S *	1/2008	Poon	D26/39
D581,567 S *	11/2008	Crawford	D26/38
D594,582 S *	6/2009	Petzl	D26/39
D658,323 S *	4/2012	Freschl	D26/39
D672,893 S *	12/2012	Inskeep	D26/39
D693,040 S *	11/2013	Svensson	D26/39
D707,867 S *	6/2014	Kotsis	D26/39
D726,943 S *	4/2015	Petzl	D26/39
D736,977 S *	8/2015	Petzl	D26/39
D736,980 S *	8/2015	Petzl	D26/39
D742,050 S *	10/2015	Inskeep	D26/39
D742,051 S *	10/2015	Abernethy	D26/39
D743,596 S *	11/2015	Ormsbee	D26/39
D743,597 S *	11/2015	Abernethy	D26/39

D747,021 S *	1/2016	Hunnewell	D26/39
D752,257 S *	3/2016	Hine	D26/39
D754,378 S *	4/2016	Feustel	D26/39
D758,630 S *	6/2016	Li	D26/39
2015/0061874 A1 *	3/2015	Kim	A42B 3/0446 340/573.1
2015/0192282 A1 *	7/2015	Ormsbee	F21V 21/084 315/307
2015/0345760 A1 *	12/2015	Law	F21V 21/084 362/105

* cited by examiner

Primary Examiner — Lakiya Rogers

Assistant Examiner — Carissa C Fitts

(74) *Attorney, Agent, or Firm* — WPAT, PC

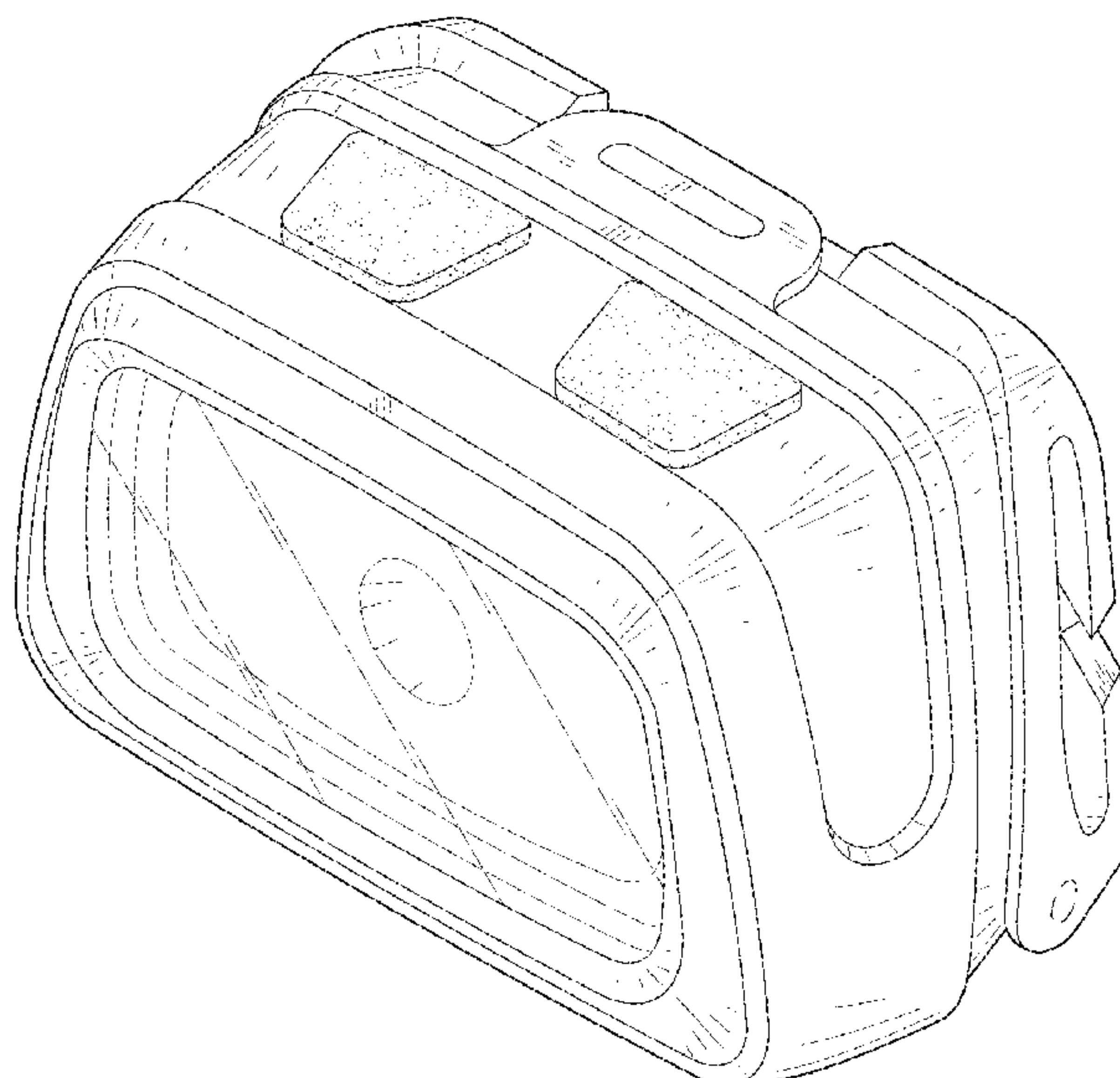
(57) **CLAIM**

The ornamental design for a headlamp, as shown and described.

DESCRIPTION

FIG. 1 is a perspective view of a headlamp showing my new design thereof;
 FIG. 2 is a front elevational view thereof;
 FIG. 3 is a rear elevational view thereof;
 FIG. 4 is a left side elevational view thereof;
 FIG. 5 is a right side elevational view thereof;
 FIG. 6 is a top plan view thereof;
 FIG. 7 is a bottom plan view;
 FIG. 8 is another perspective view thereof; and,
 FIG. 9 is the perspective view thereof, shown in use;
 The broken lines shown in FIG. 4 and FIG. 9 are for environmental purposes. All other broken lines shown portions of the article not claimed. The broken lines form no part of the claimed design.
 The stipple shading and the straight line shading show a contrast in appearance.

1 Claim, 9 Drawing Sheets



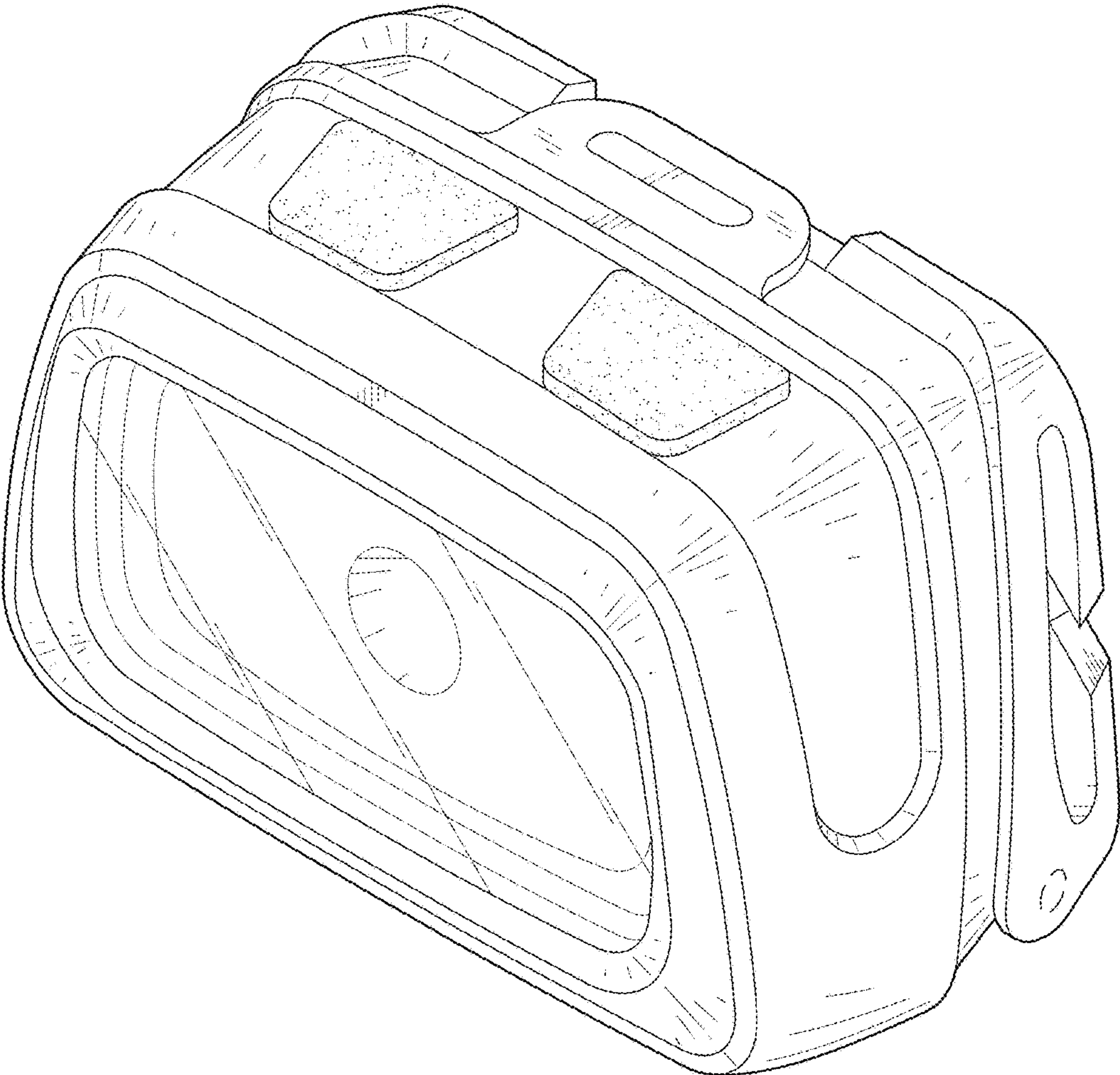


FIG.1

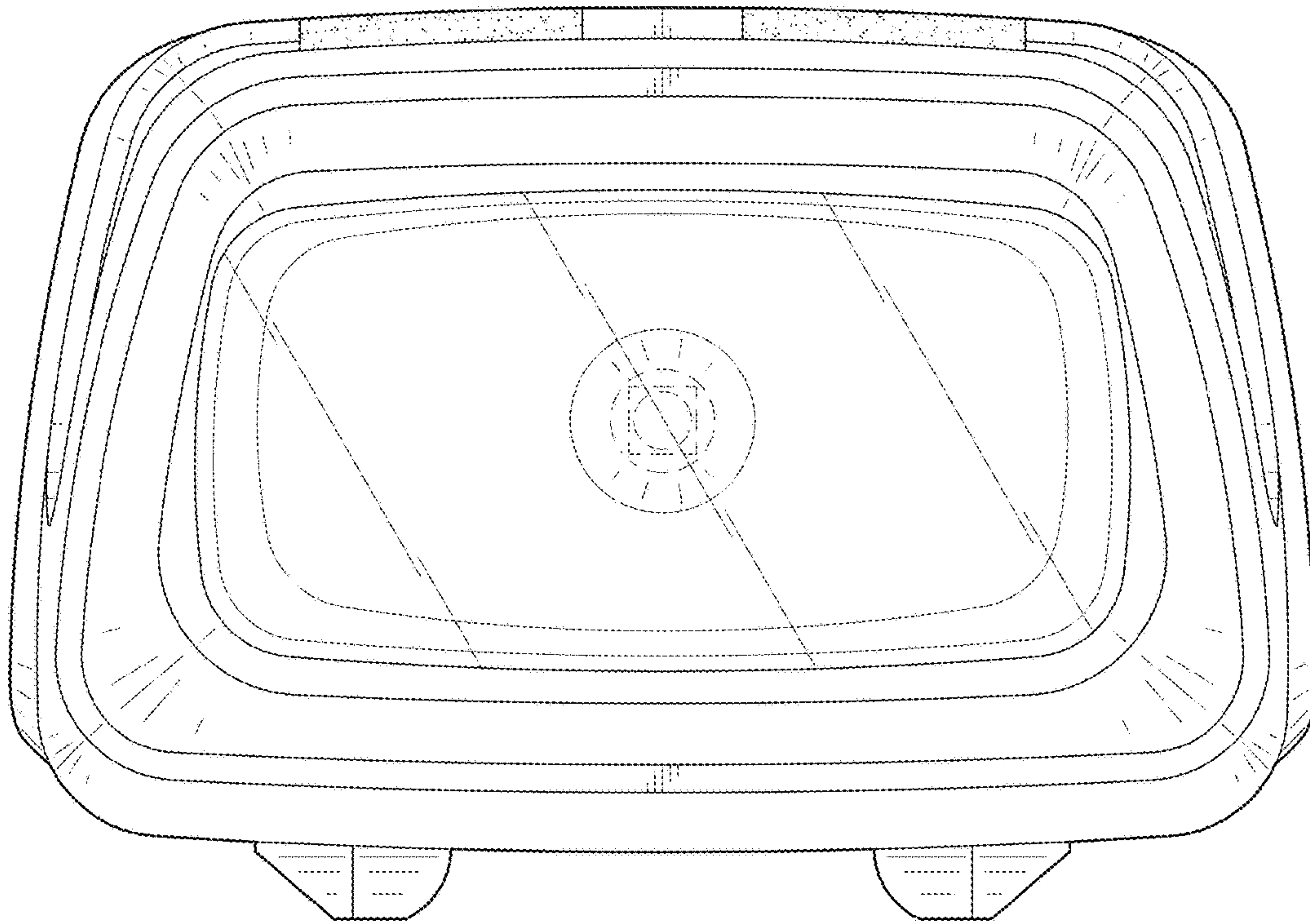


FIG.2

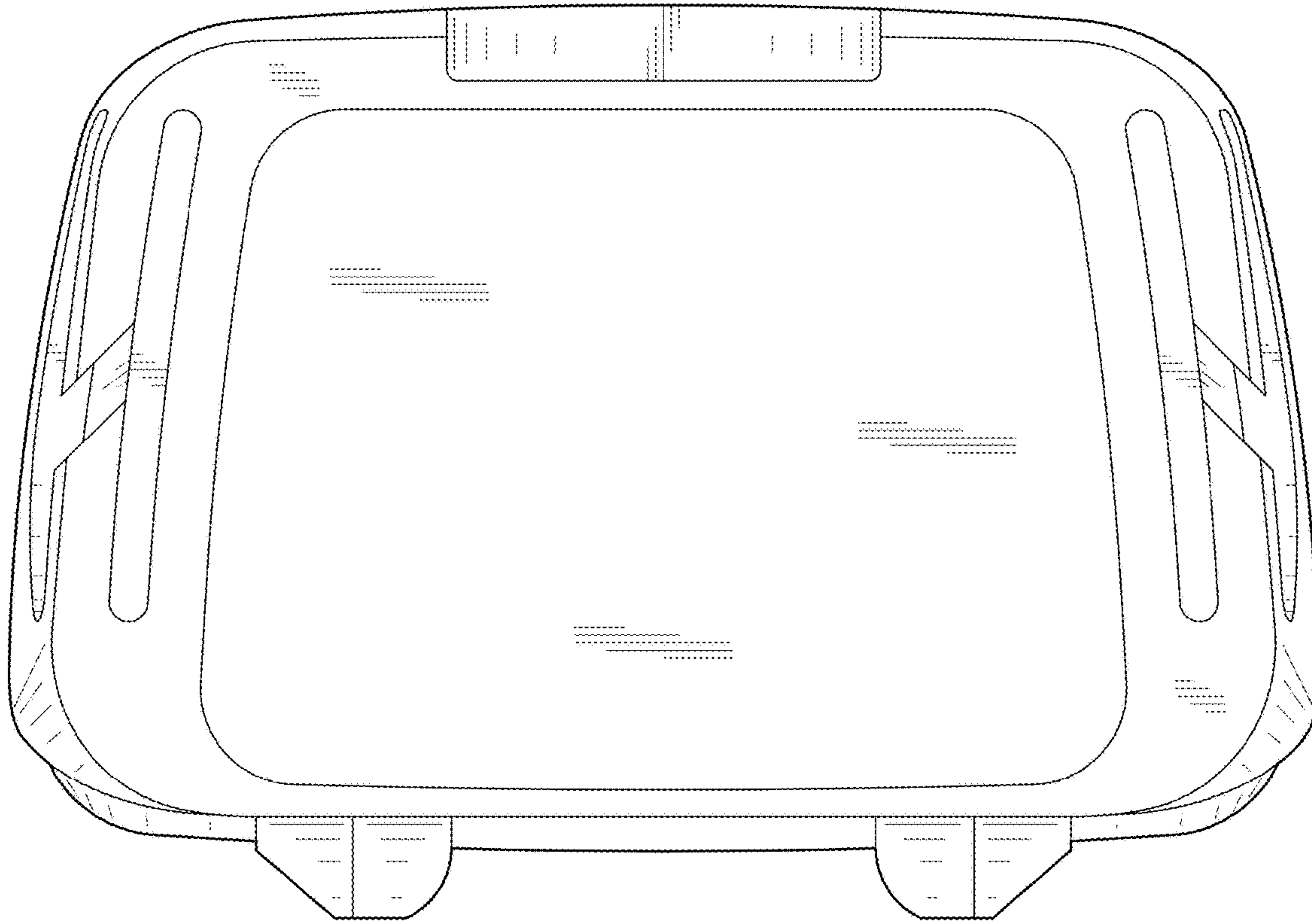


FIG.3

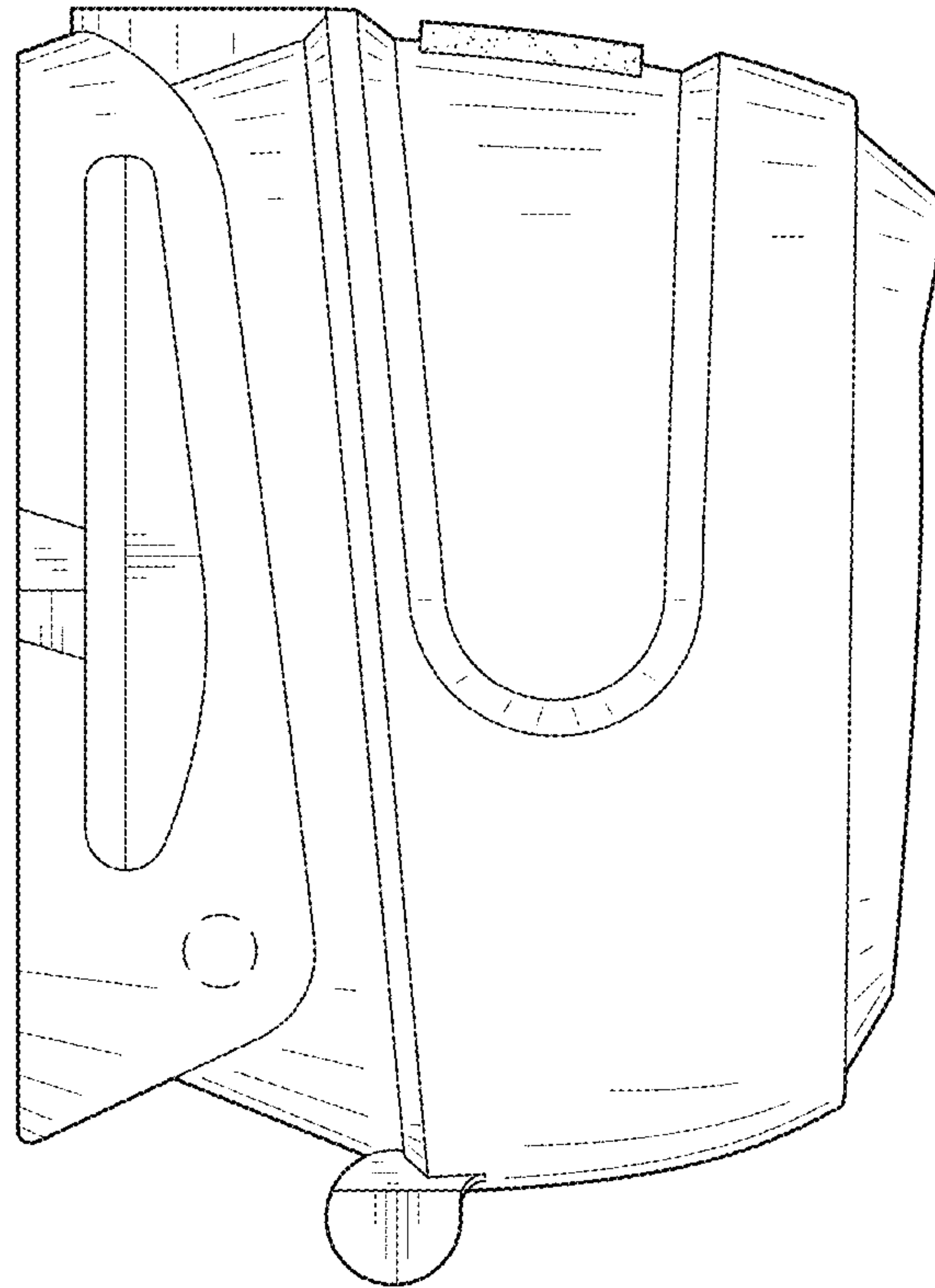


FIG.4

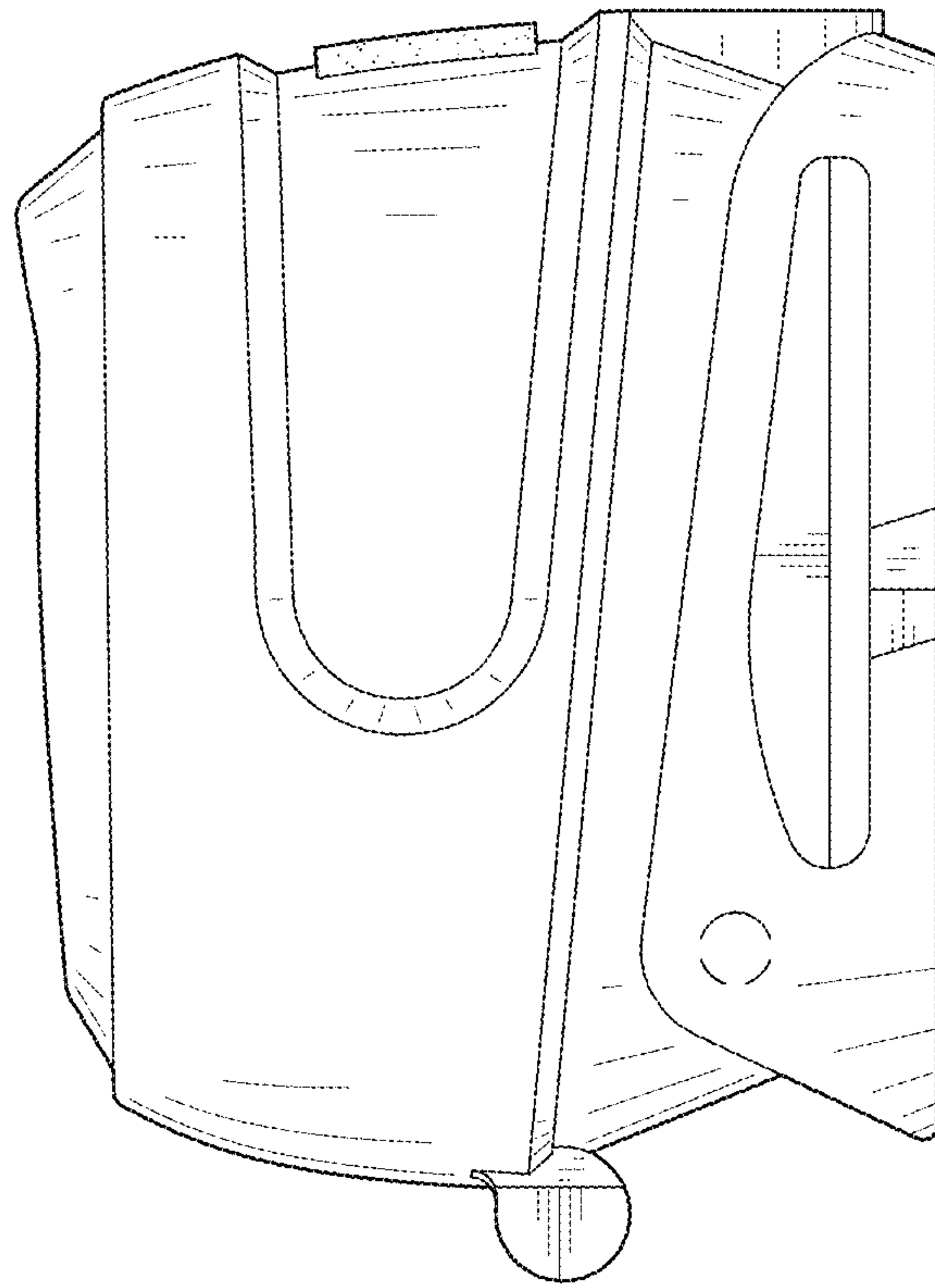


FIG.5

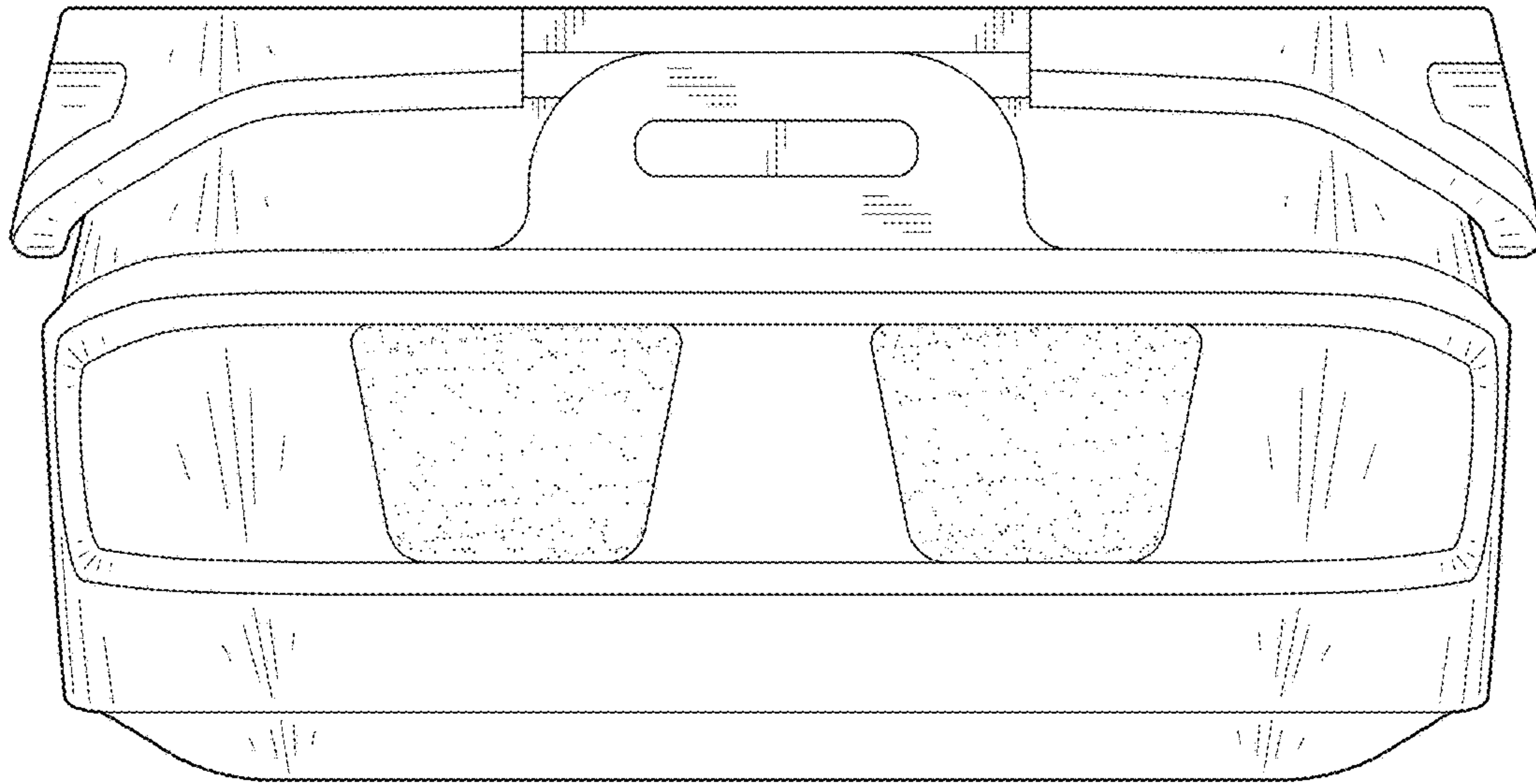


FIG.6

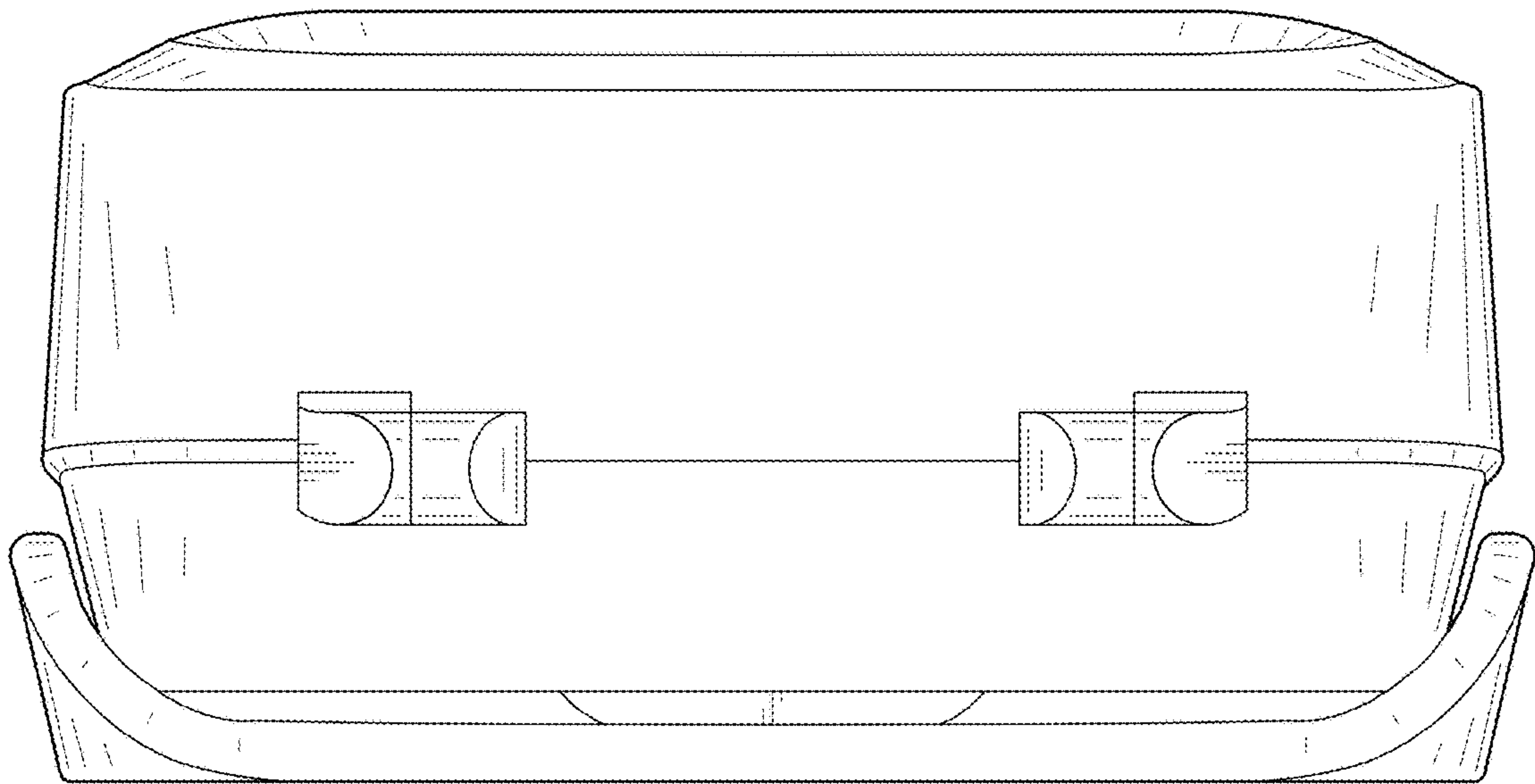


FIG.7

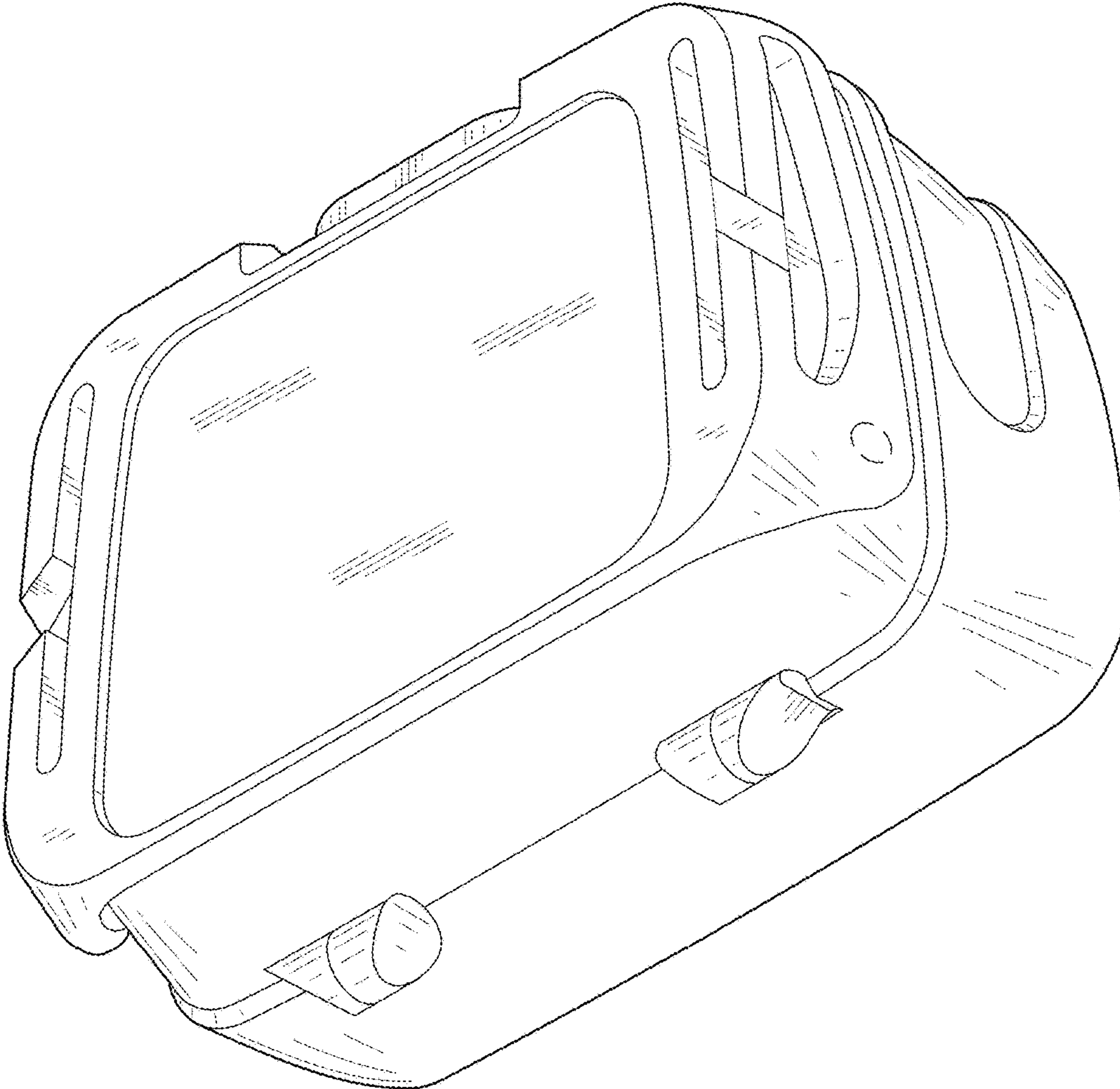


FIG.8

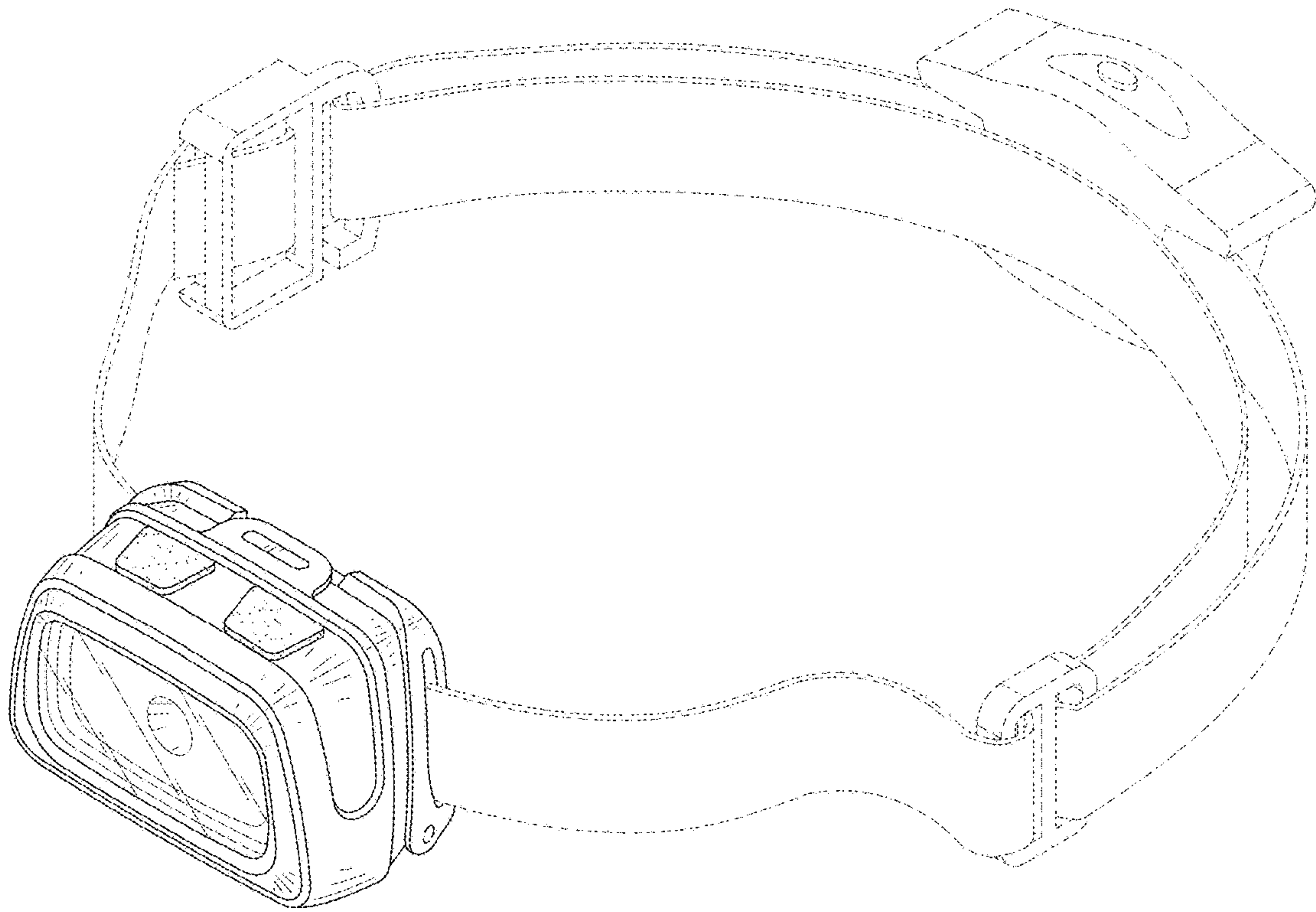


FIG.9