



US00D812792S

(12) **United States Design Patent**
Jae et al.

(10) **Patent No.:** **US D812,792 S**
(45) **Date of Patent:** **** Mar. 13, 2018**

(54) **REAR COMBINATION LAMP FOR VEHICLE**

(71) Applicant: **HYUNDAI MOTOR COMPANY,**
Seoul (KR)

(72) Inventors: **Hyun-Hyo Jae,** Changwon-si (KR);
Tae-Hoon Kim, Seoul (KR)

(73) Assignee: **Hyundai Motor Company,** Seoul (KR)

(**) Term: **15 Years**

(21) Appl. No.: **35/501,780**

(22) Filed: **Apr. 25, 2016**

(80) **Hague Agreement Data**

Int. Filing Date: **Apr. 25, 2016**

Int. Reg. No.: **DM/090685**

Int. Reg. Date: **Apr. 25, 2016**

Int. Reg. Pub. Date: **Oct. 28, 2016**

(51) **LOC (11) Cl.** **26-06**

(52) **U.S. Cl.**
USPC **D26/28**

(58) **Field of Classification Search**

USPC D26/28-36

CPC F21S 48/00; F21S 48/10; F21S 48/115;
F21S 48/225; F21S 48/2281; F21S
48/1233; F21S 48/1266; F21S 48/1388;
F21S 48/2268; F21V 21/04; B60Q 1/30;
B60Q 1/2607; B60Q 1/2696; B62J 6/00;
B62J 6/04

See application file for complete search history.

(56) **References Cited**

U.S. PATENT DOCUMENTS

D794,231 S * 8/2017 Yokoi D26/28
D794,848 S * 8/2017 Komuro D26/28
D794,851 S * 8/2017 Youn D26/28
D797,332 S * 9/2017 Lin D26/28
D797,965 S * 9/2017 Matsumoto D26/28

D797,968 S * 9/2017 Yokoi D26/28
D798,477 S * 9/2017 Lai D26/28
D798,479 S * 9/2017 Ryu D26/28
D799,077 S * 10/2017 Lai D26/28

* cited by examiner

Primary Examiner — Zenia Bennett

(74) *Attorney, Agent, or Firm* — Mintz Levin Cohn Ferris
Glovsky and Popeo, P.C.; Kongsik Kim

(57) **CLAIM**

The ornamental design for a rear combination lamp for
vehicle, as shown and described.

DESCRIPTION

1. Rear combination lamp for vehicle

1.1 : Perspective

1.2 : Front

1.3 : Back

1.4 : Left

1.5 : Right

1.6 : Top

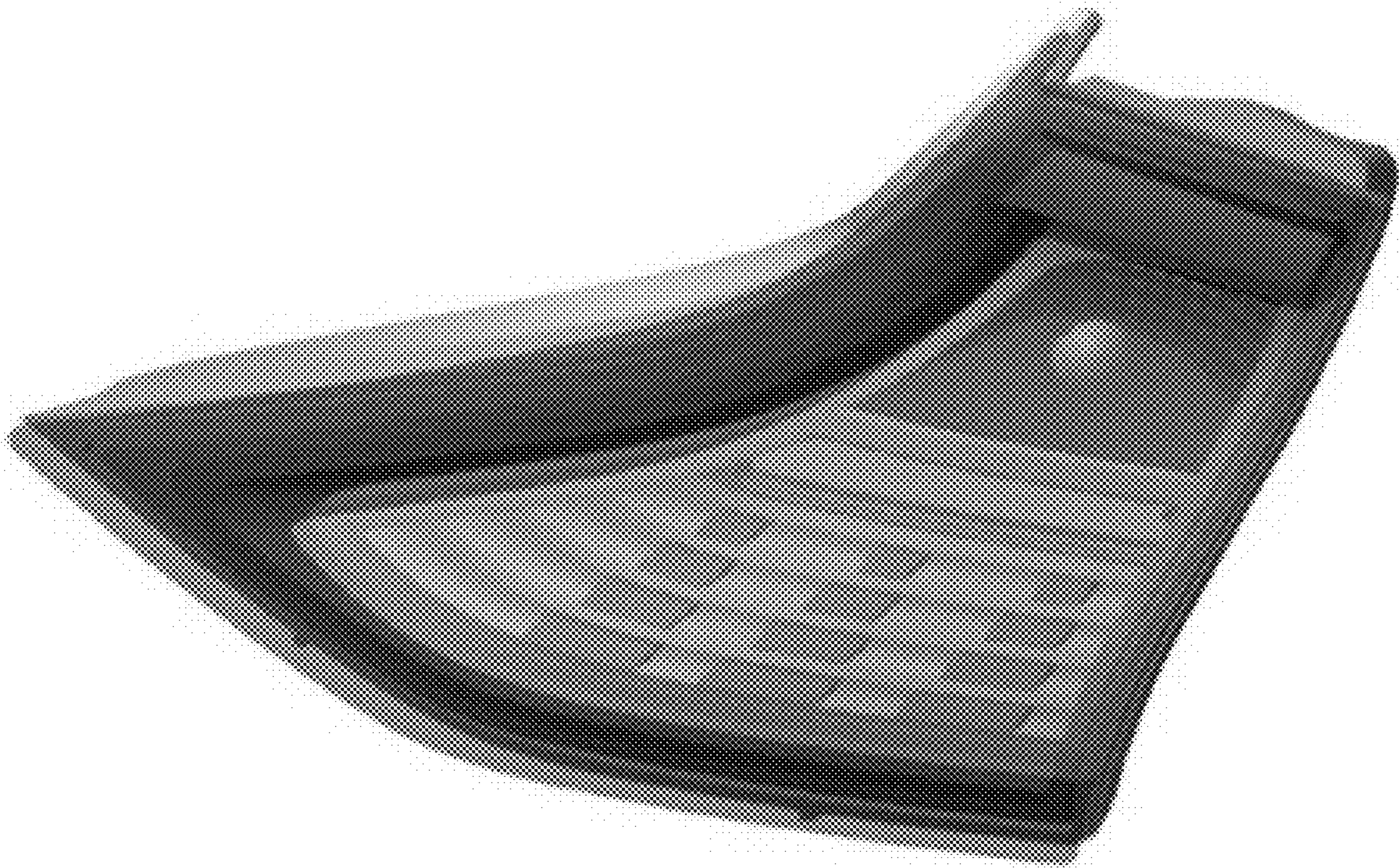
1.7 : Bottom

The materials are made of metals, glasses and synthetic
resins; this article is installed to the rear of an automobile;
this article is a combination of a brake lamp and a reversing
lamp; the cover part of the front of this article and the lamp
part inside the cover part are transparent or translucent.

1 Claim, 7 Drawing Sheets



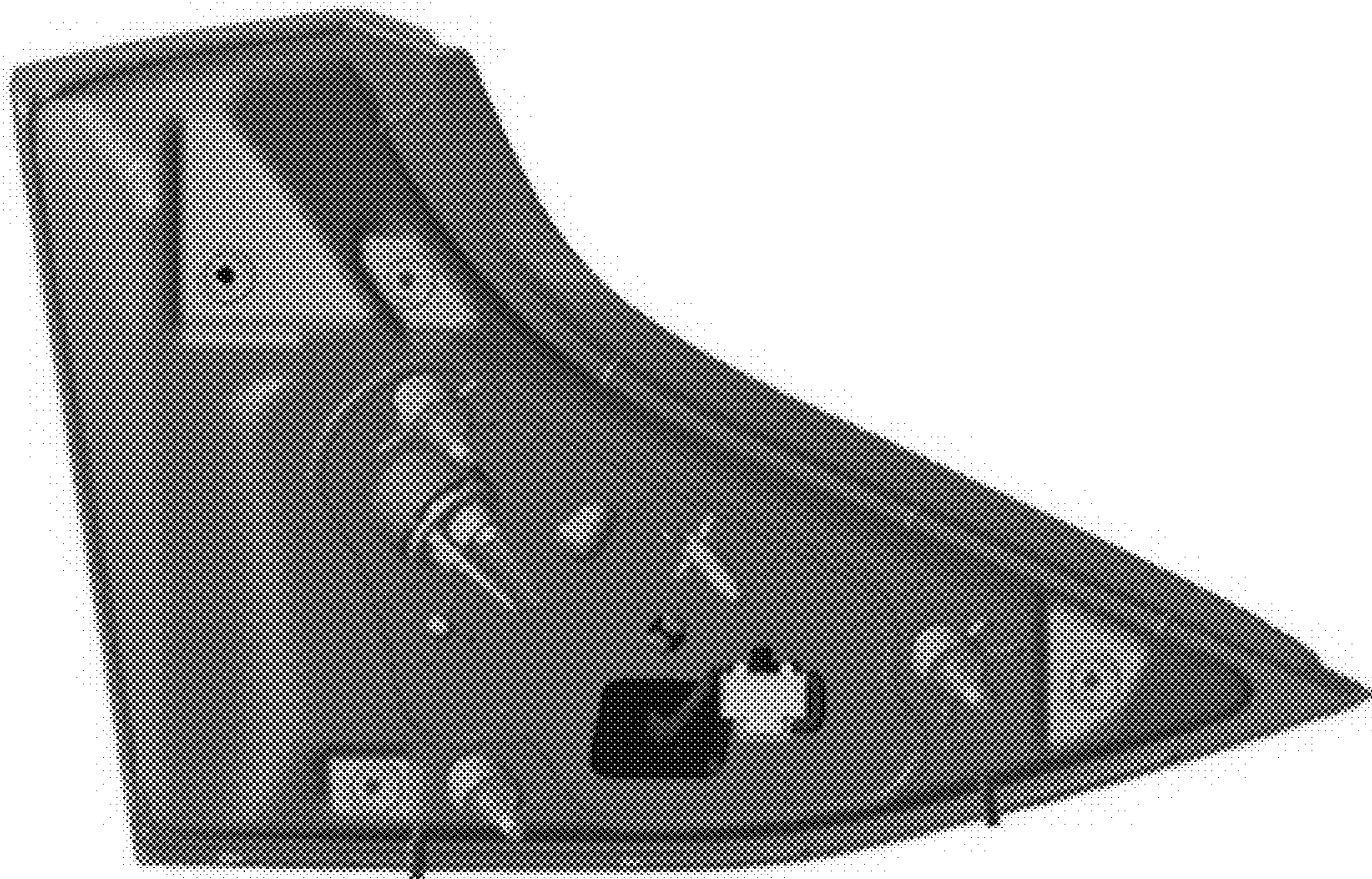
1.1



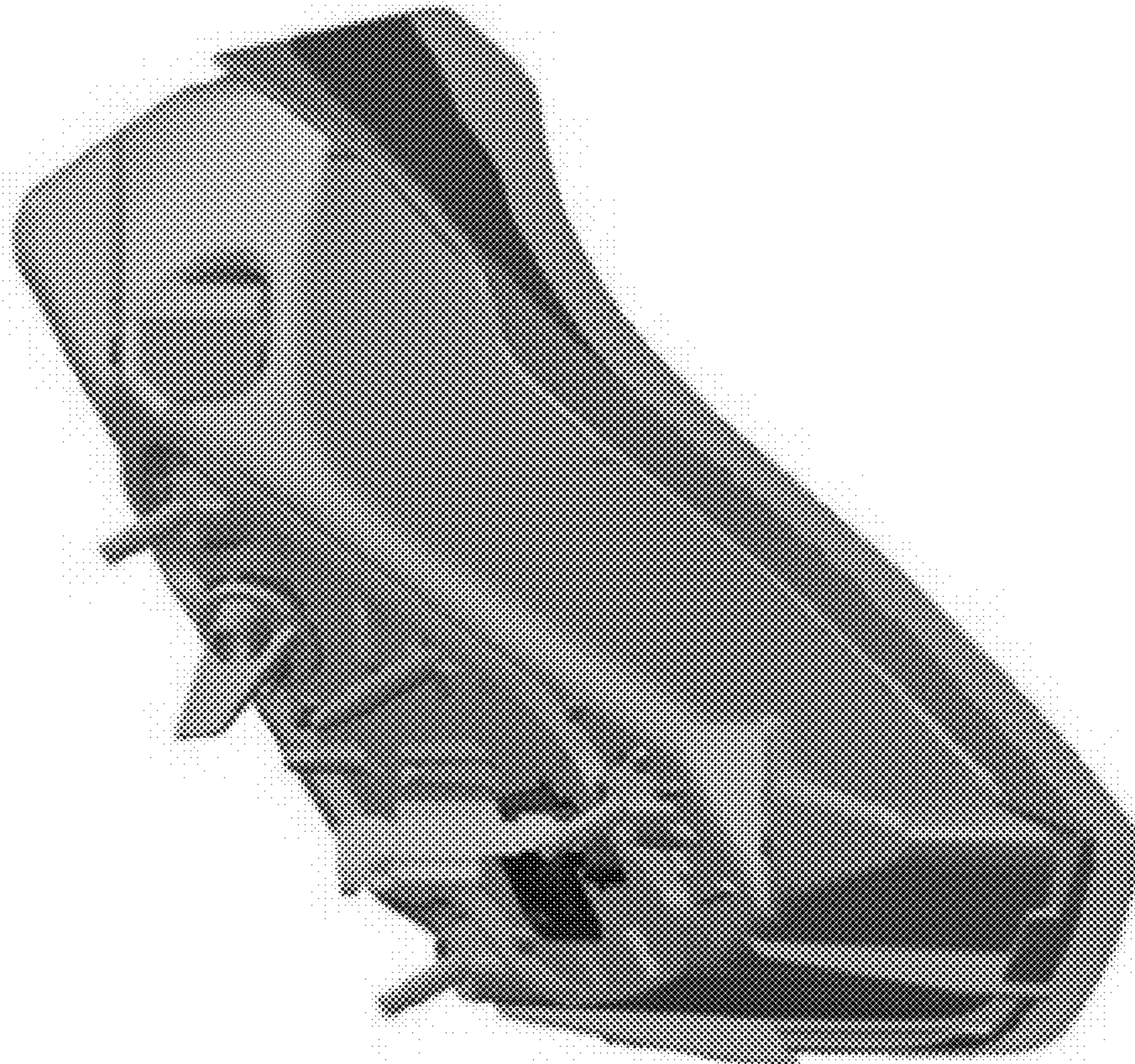
1.2



1.3



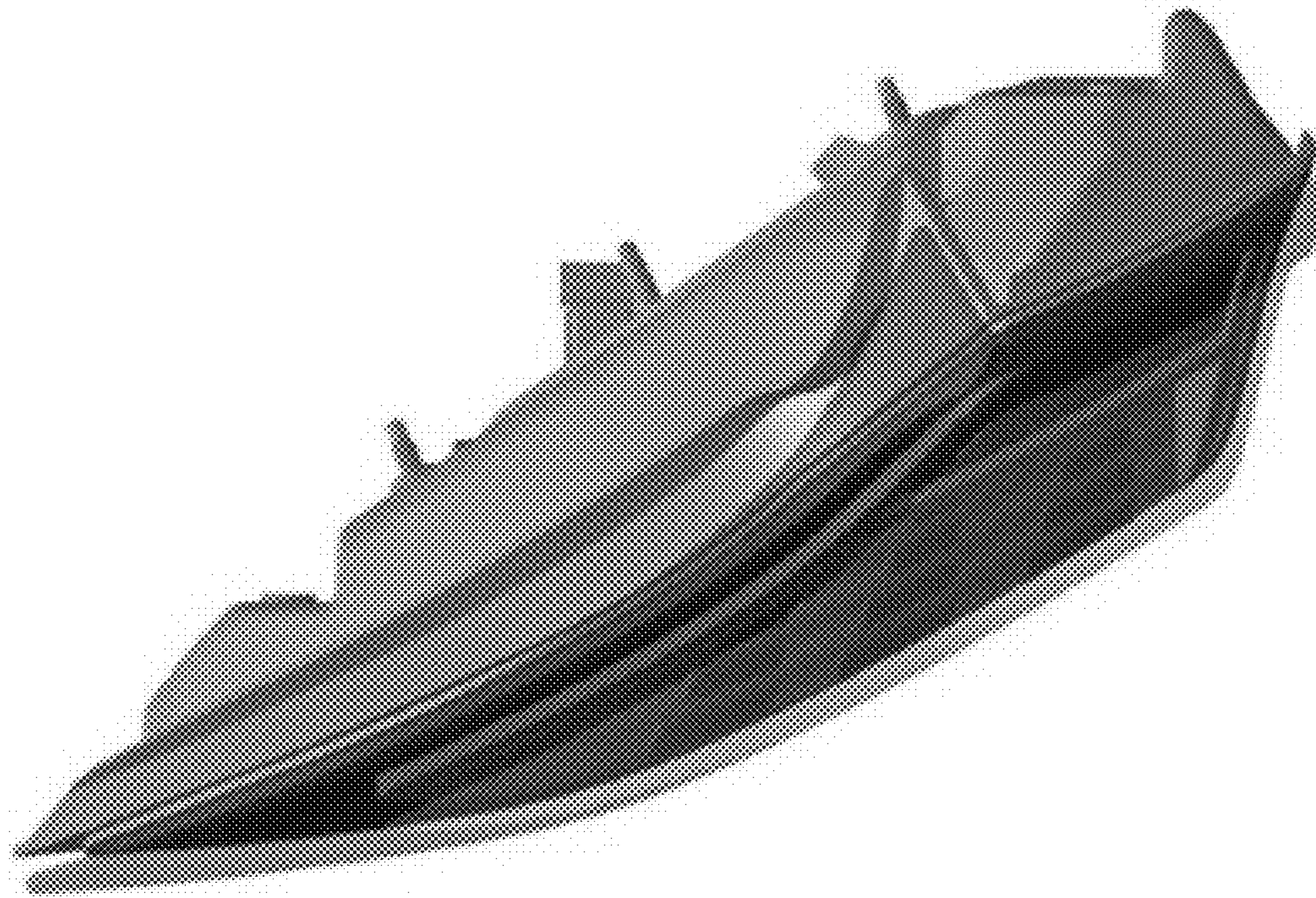
1.4



1.5



1.6



1.7

