



US00D812787S

(12) **United States Design Patent** (10) **Patent No.:** **US D812,787 S**
Smock (45) **Date of Patent:** **** Mar. 13, 2018**

(54) **HEADLIGHT**

(71) Applicant: **Honda Motor Co., Ltd.**, Minato-ku, Tokyo (JP)

(72) Inventor: **Randall Smock**, Redondo Beach, CA (US)

(73) Assignee: **HONDA MOTOR CO., LTD.**, Tokyo (JP)

(**) Term: **15 Years**

(21) Appl. No.: **29/566,165**

(22) Filed: **May 27, 2016**

(51) **LOC (11) Cl.** **26-07**

(52) **U.S. Cl.**
USPC **D26/28**

(58) **Field of Classification Search**
USPC D26/28-36; 362/459-468, 475-478, 362/485-487
CPC F21S 48/00; F21S 48/10; F21S 48/115; F21S 48/225; F21S 48/1233; F21S 48/1266; F21S 48/1388; F21S 48/2268; F21V 21/04
See application file for complete search history.

(56) **References Cited**

U.S. PATENT DOCUMENTS

D544,114 S *	6/2007	Ohta	D26/28
D544,614 S *	6/2007	Markefka	D26/28
D560,291 S *	1/2008	Koyama	D26/28
D561,359 S *	2/2008	Hsu	D26/28
D638,556 S *	5/2011	Song	D26/28
D681,243 S *	4/2013	Tsai	
D761,980 S *	7/2016	Keskin	D26/28
D778,469 S *	2/2017	Ito	D26/28
D780,959 S *	3/2017	Curic	D26/28
D780,963 S *	3/2017	Behmer	D26/28

D783,189 S *	4/2017	Nishii	D26/28
D787,726 S *	5/2017	Hong	D26/28
D792,990 S *	7/2017	Curic	D26/28
D792,994 S *	7/2017	Hwang	D26/28

FOREIGN PATENT DOCUMENTS

TW	D168880	7/2015
TW	D169624	8/2015

OTHER PUBLICATIONS

Taiwanese Office Action issued in related Taiwanese Design Patent Application No. 105307103, dated Aug. 28, 2017.

* cited by examiner

Primary Examiner — Angela J Lee

(74) *Attorney, Agent, or Firm* — Arent Fox LLP

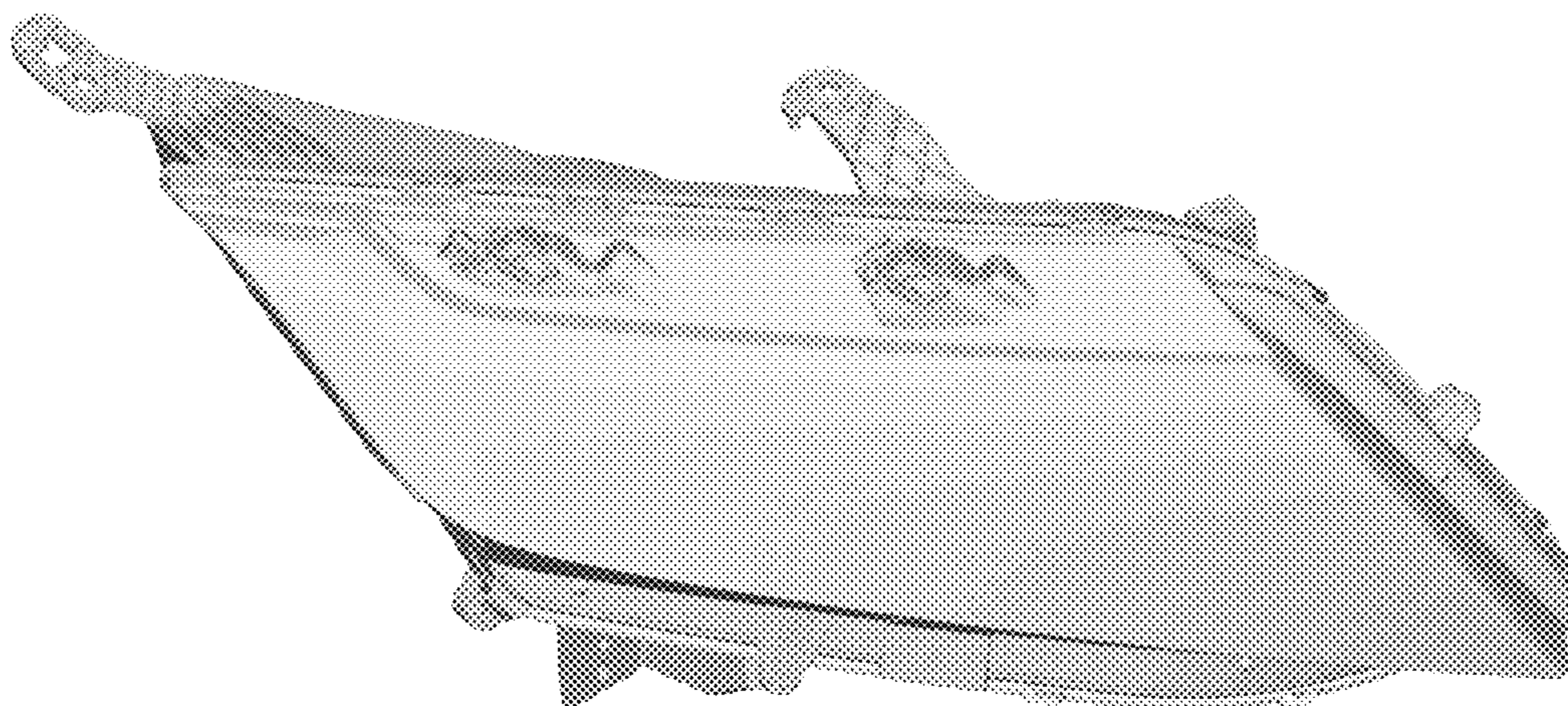
(57) **CLAIM**

The ornamental design for a headlight, as shown and described.

DESCRIPTION

FIG. 1 is a top left perspective view of a first embodiment of a headlight showing my new design; FIG. 2 is a top, rear, right perspective view of the design shown in FIG. 1; FIG. 3 is a top right perspective view of the design shown in FIG. 1; FIG. 4 is a front perspective view of the design shown in FIG. 1; FIG. 5 is a rear view of the design shown in FIG. 1; FIG. 6 is a front view of the design shown in FIG. 1; FIG. 7 is a right side view of the design shown in FIG. 1; FIG. 8 is a left side view of the design shown in FIG. 1; FIG. 9 is a top view of the design shown in FIG. 1; and, FIG. 10 is a bottom view of the design shown in FIG. 1.

1 Claim, 10 Drawing Sheets



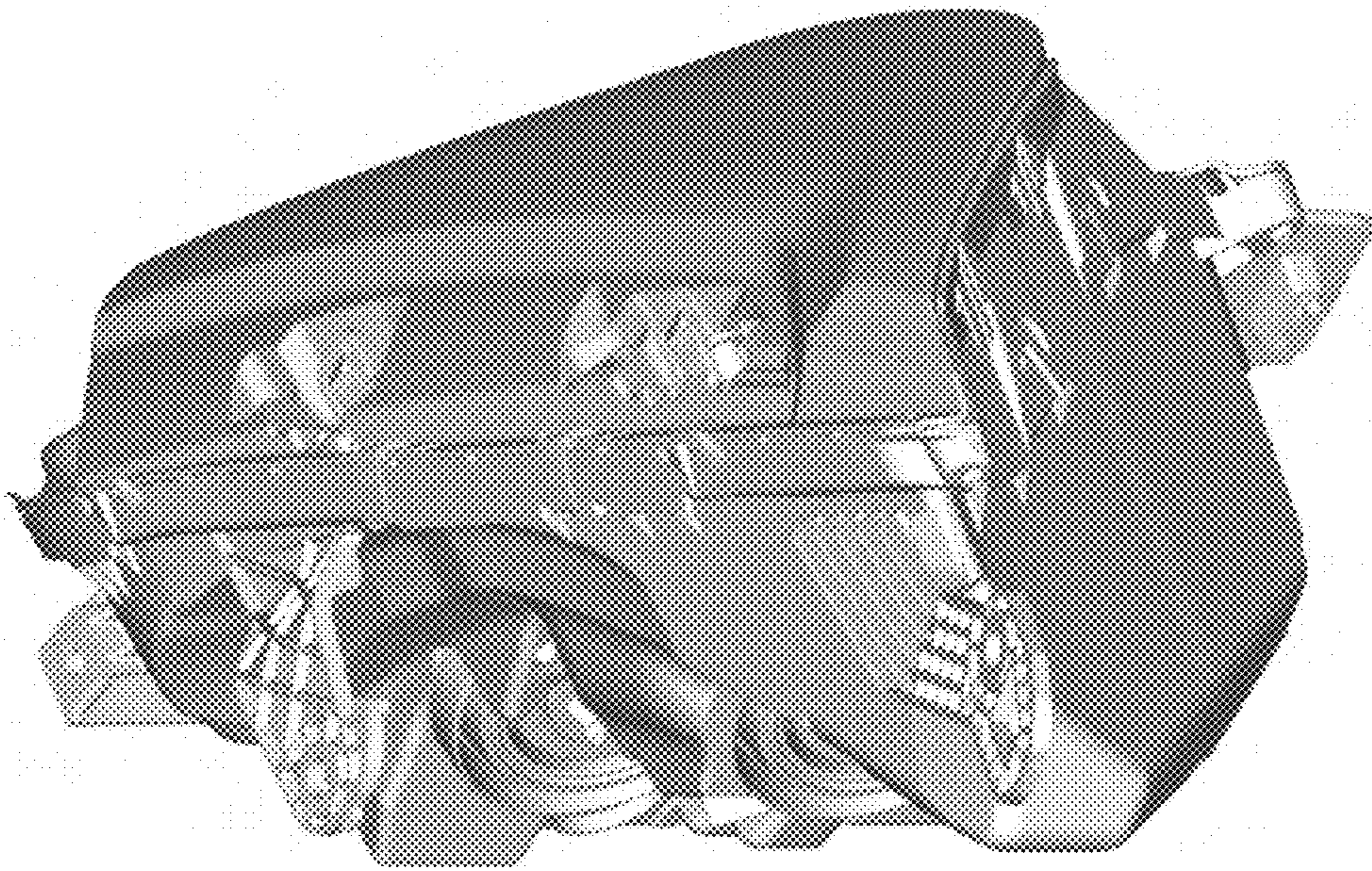


FIGURE 1

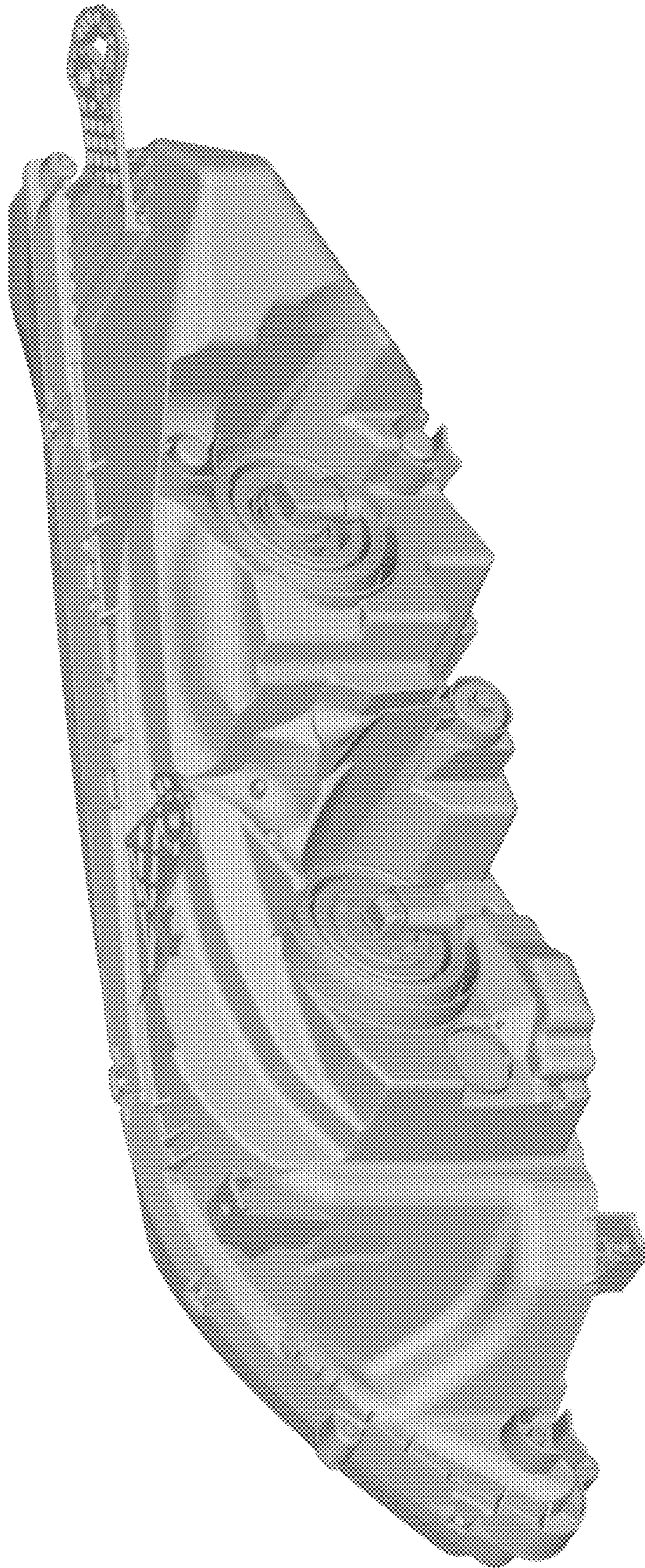


FIGURE 2

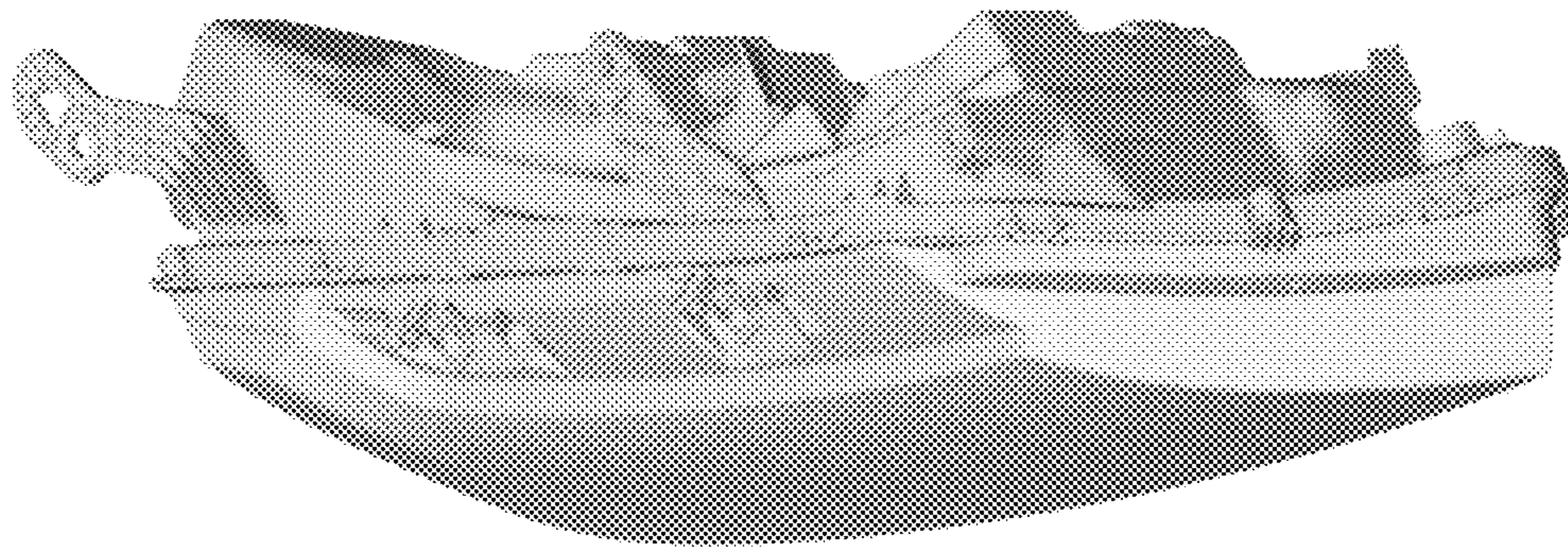


FIGURE 3



FIGURE 4

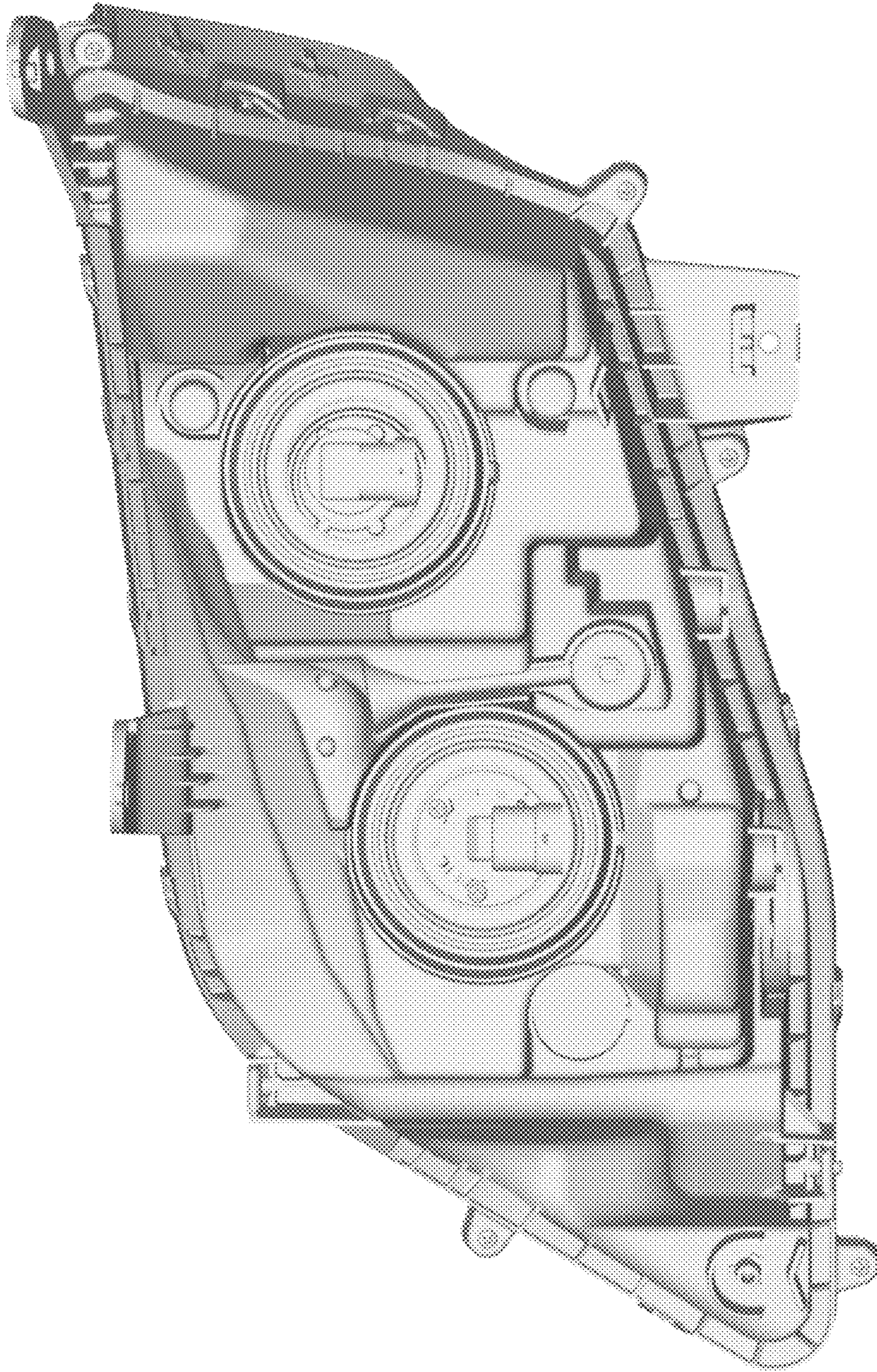


FIGURE 5

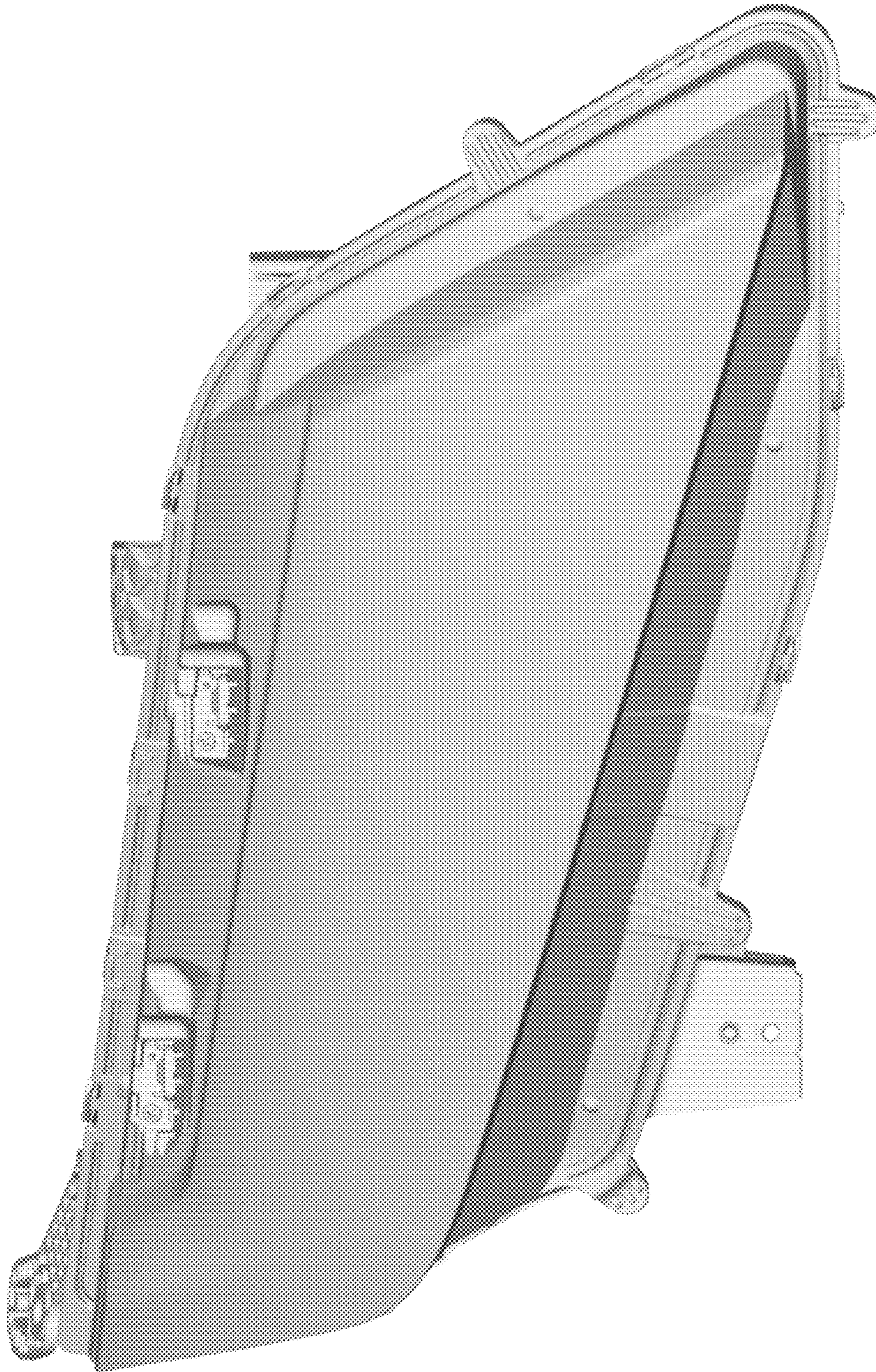


FIGURE 6

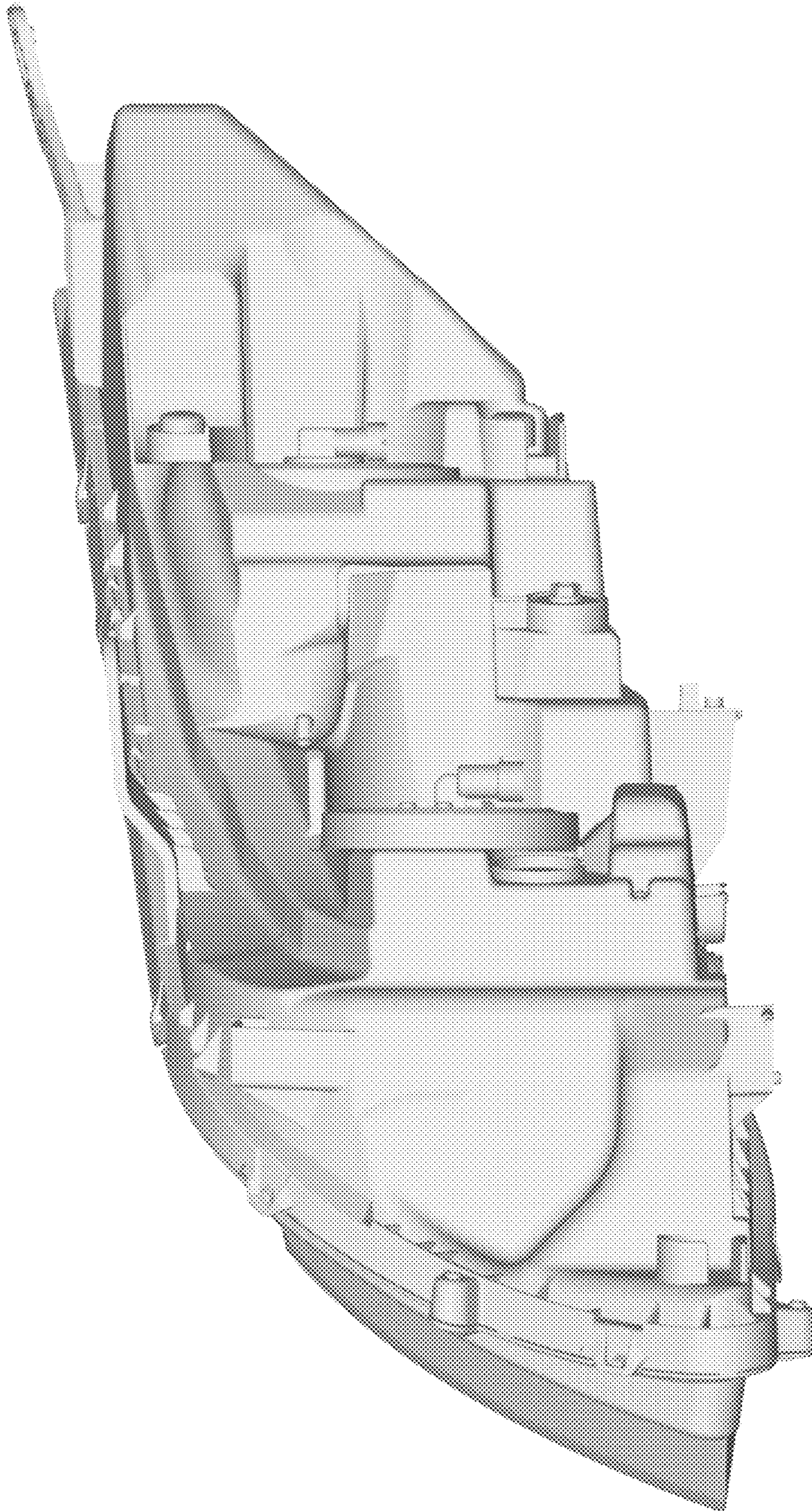


FIGURE 7

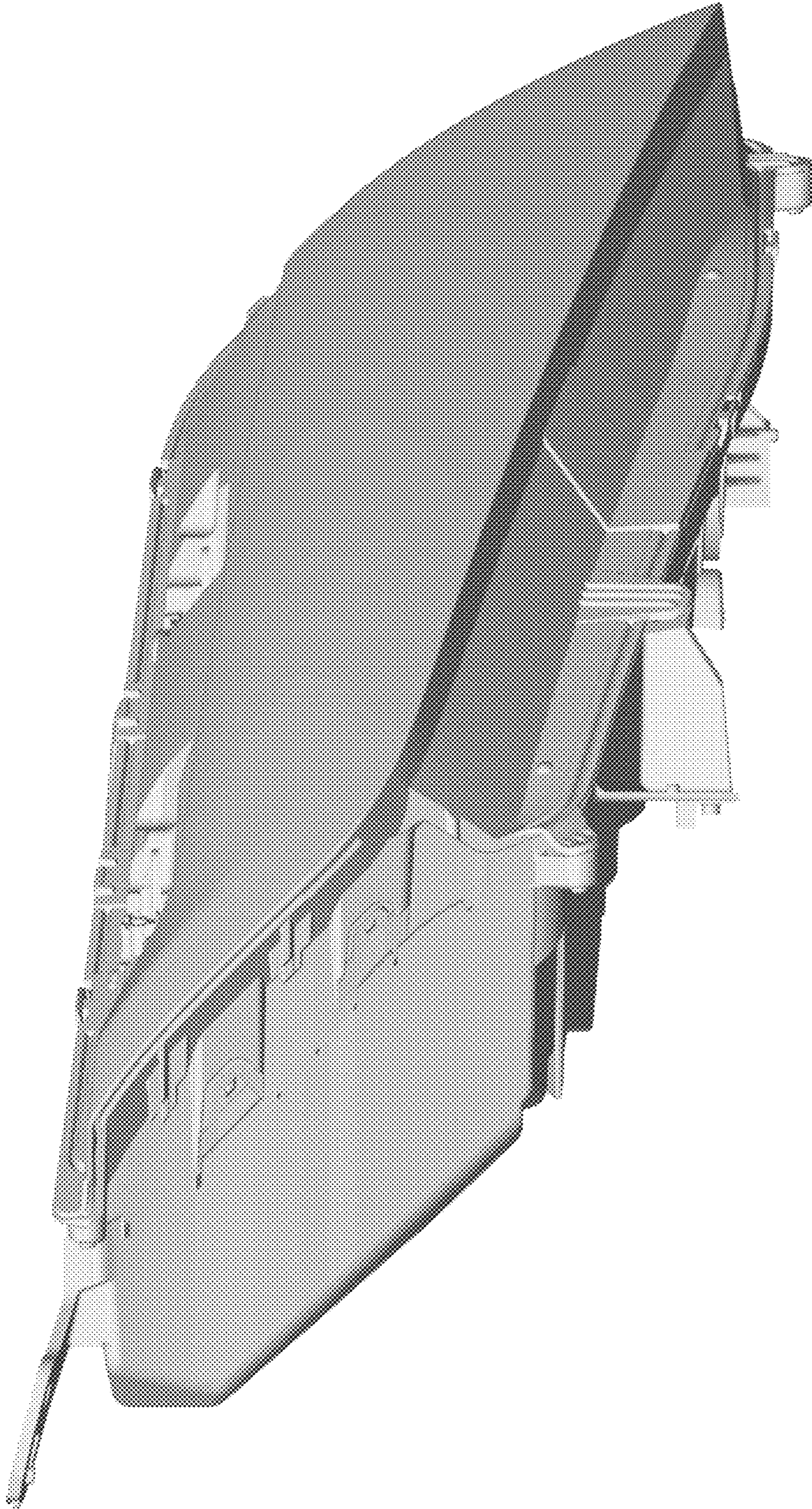


FIGURE 8

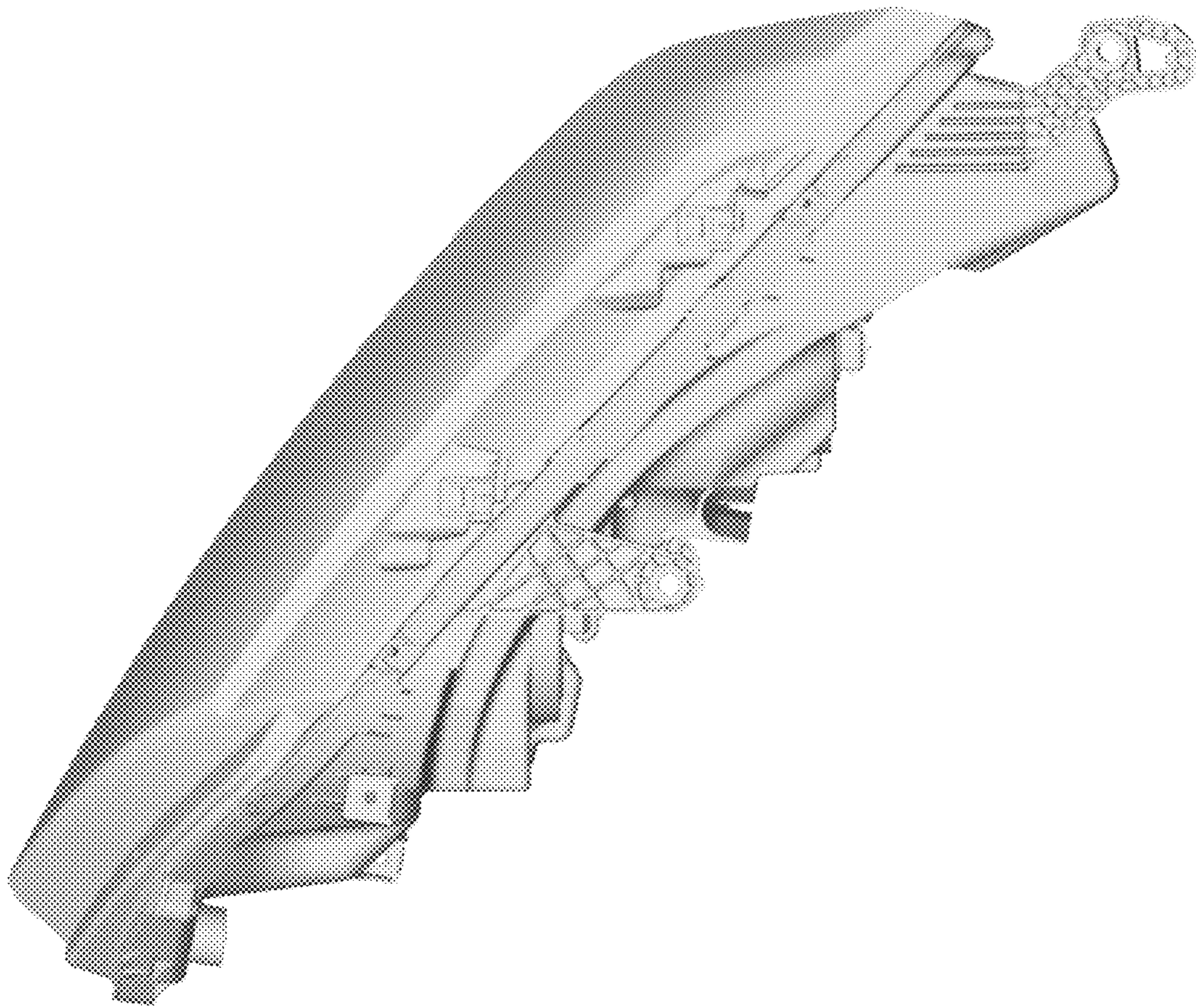


FIGURE 9

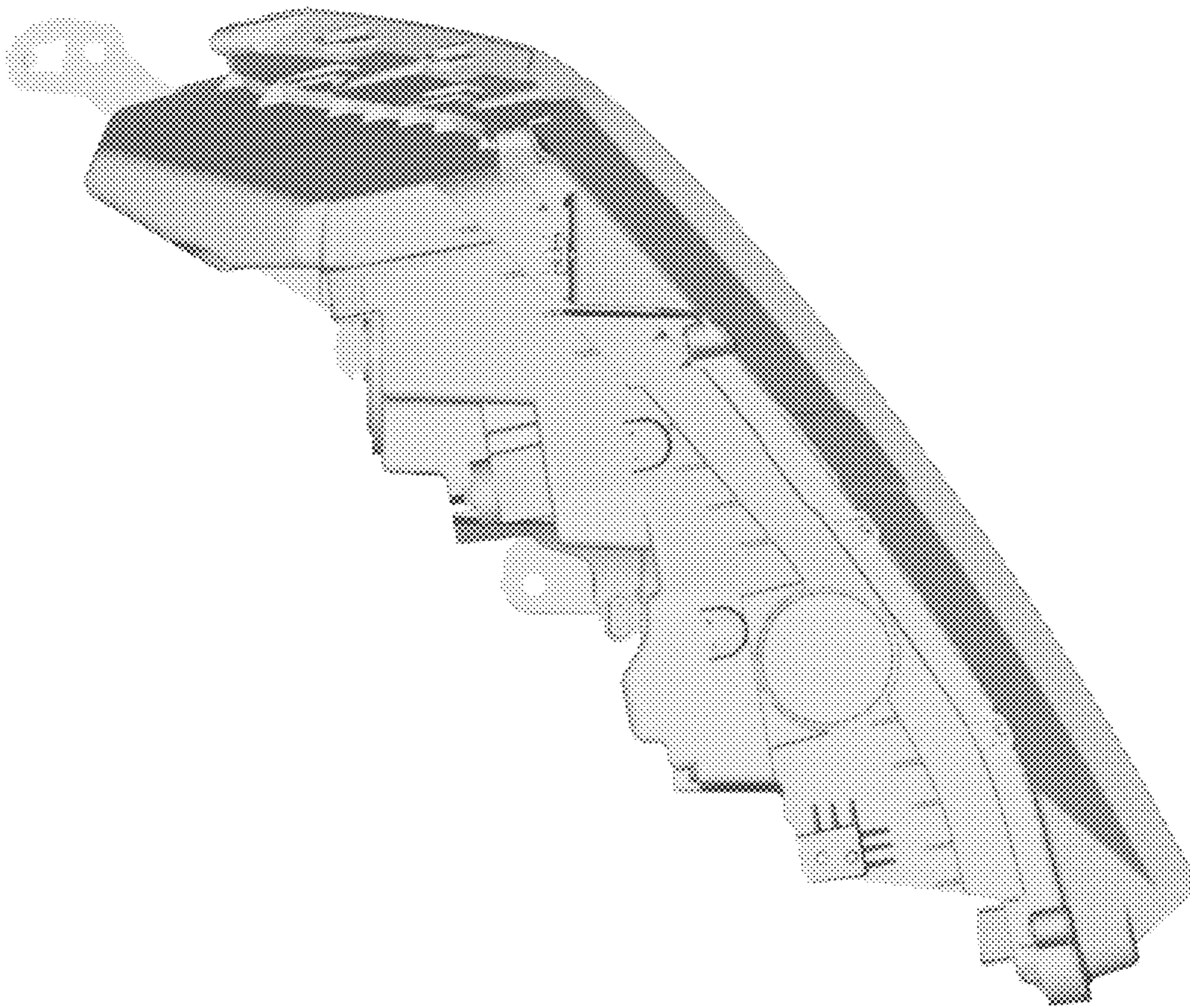


FIGURE 10