



US00D812786S

(12) **United States Design Patent**
Xie

(10) **Patent No.:** **US D812,786 S**
(45) **Date of Patent:** **** Mar. 13, 2018**

(54) **AUTO ON/OFF ENERGY SAVING LED NIGHT LIGHT**

(71) Applicant: **Ningbo Homemate Products Co., Ltd.**, Ningbo (CN)

(72) Inventor: **Lidong Xie**, Ningbo (CN)

(73) Assignee: **NINGBO HOMEMATE PRODUCTS CO., LTD.**, Ningbo (CN)

(**) Term: **15 Years**

(21) Appl. No.: **29/571,166**

(22) Filed: **Jul. 14, 2016**

(51) **LOC (11) Cl.** **26-05**

(52) **U.S. Cl.**
USPC **D26/26**

(58) **Field of Classification Search**
USPC D26/26, 24, 113, 118, 119, 120;
D23/366, 367, 369; 362/640, 641, 642,
362/643, 644, 650, 651, 652, 653, 659
CPC F21S 8/035; F21V 23/06; F21V 23/0442;
F21W 2121/00; H01R 2103/00
See application file for complete search history.

(56) **References Cited**

U.S. PATENT DOCUMENTS

D205,371 S * 7/1966 Mellyn D26/26
D431,660 S * 10/2000 Yuen D26/26

D460,573 S * 7/2002 Gee, II D26/26
D476,428 S * 6/2003 Stekelenburg D26/26
D497,681 S * 10/2004 Donnelly D26/26
D498,009 S * 11/2004 Donnelly D26/26
D641,896 S * 7/2011 Weiser D22/120
D642,707 S * 8/2011 Kang D26/26
D642,708 S * 8/2011 Kaule D26/26
D678,561 S * 3/2013 Rugendyke D26/26
D724,771 S * 3/2015 Ma D26/26
D772,442 S * 11/2016 Lange D26/26

* cited by examiner

Primary Examiner — Angela J Lee

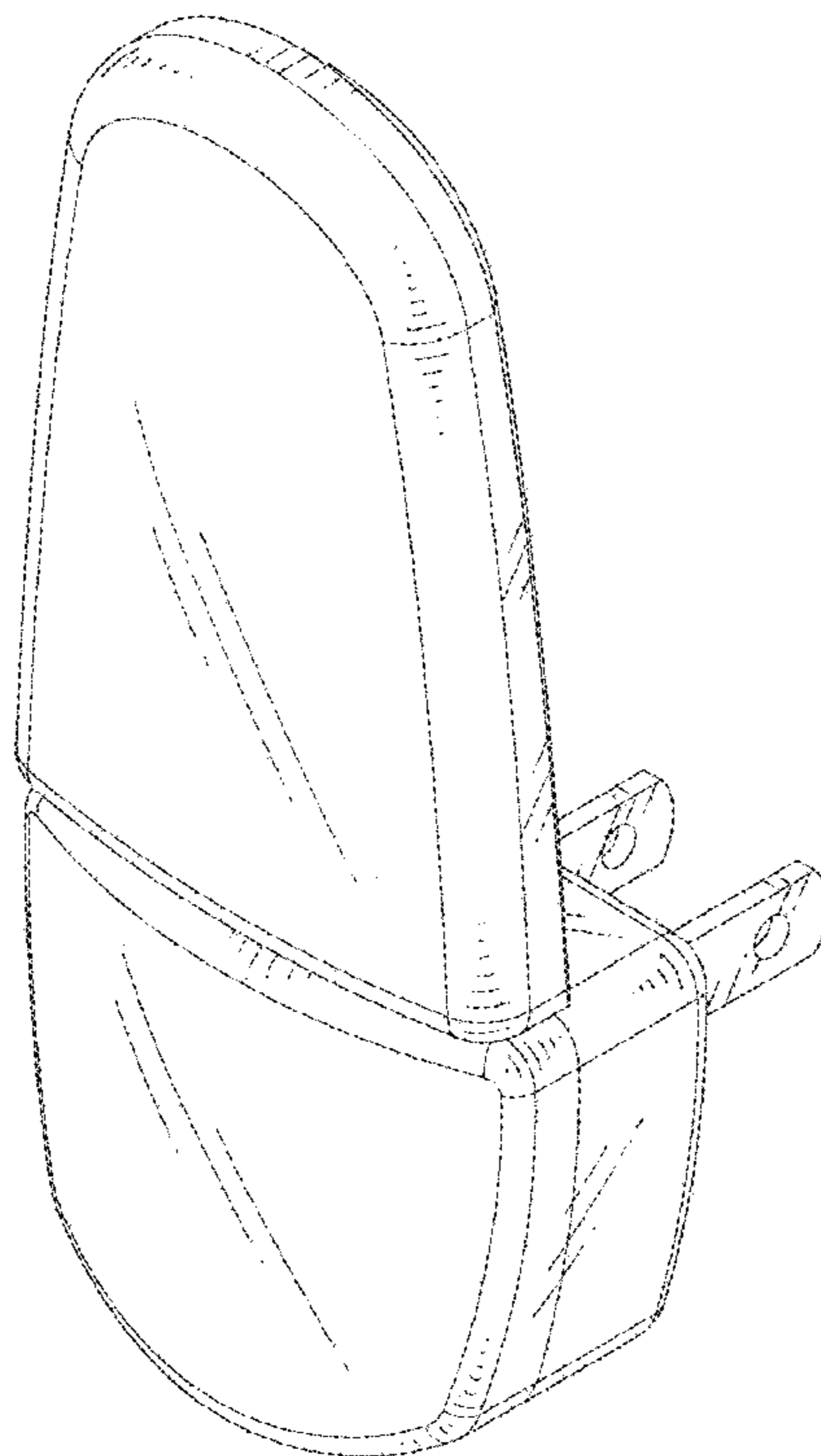
(57) **CLAIM**

I claim the ornamental design for an auto on/off energy saving LED night light, as shown and described.

DESCRIPTION

FIG. 1 is a perspective view of an auto on/off energy saving LED night light showing my new design;
FIG. 2 is a front elevational view thereof;
FIG. 3 is a rear elevational view thereof;
FIG. 4 is a left side elevational view thereof;
FIG. 5 is a right side elevational view thereof;
FIG. 6 is a top plan view thereof;
FIG. 7 is a bottom plan view thereof; and,
FIG. 8 is another perspective view thereof.

1 Claim, 7 Drawing Sheets



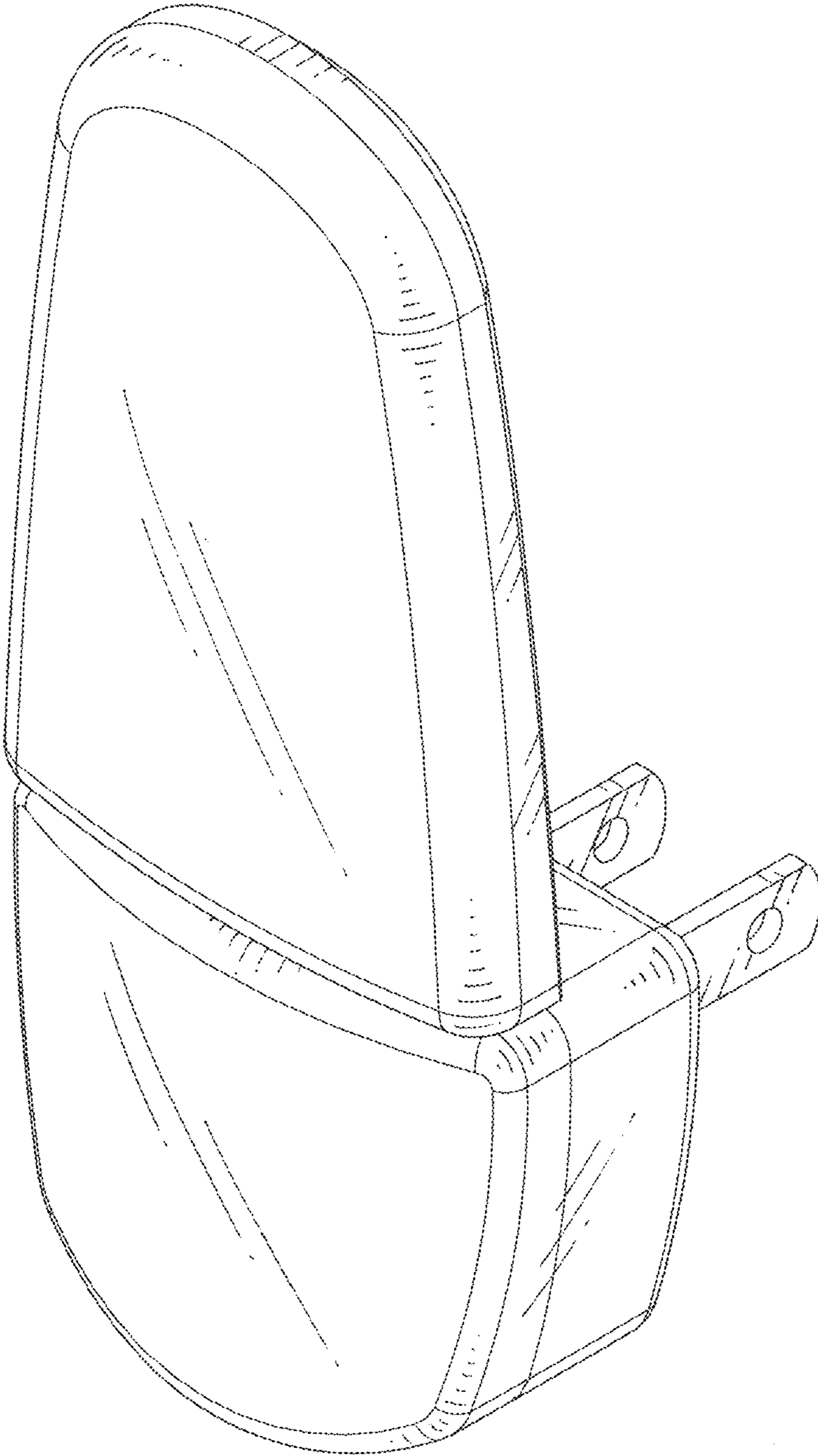


Fig.1

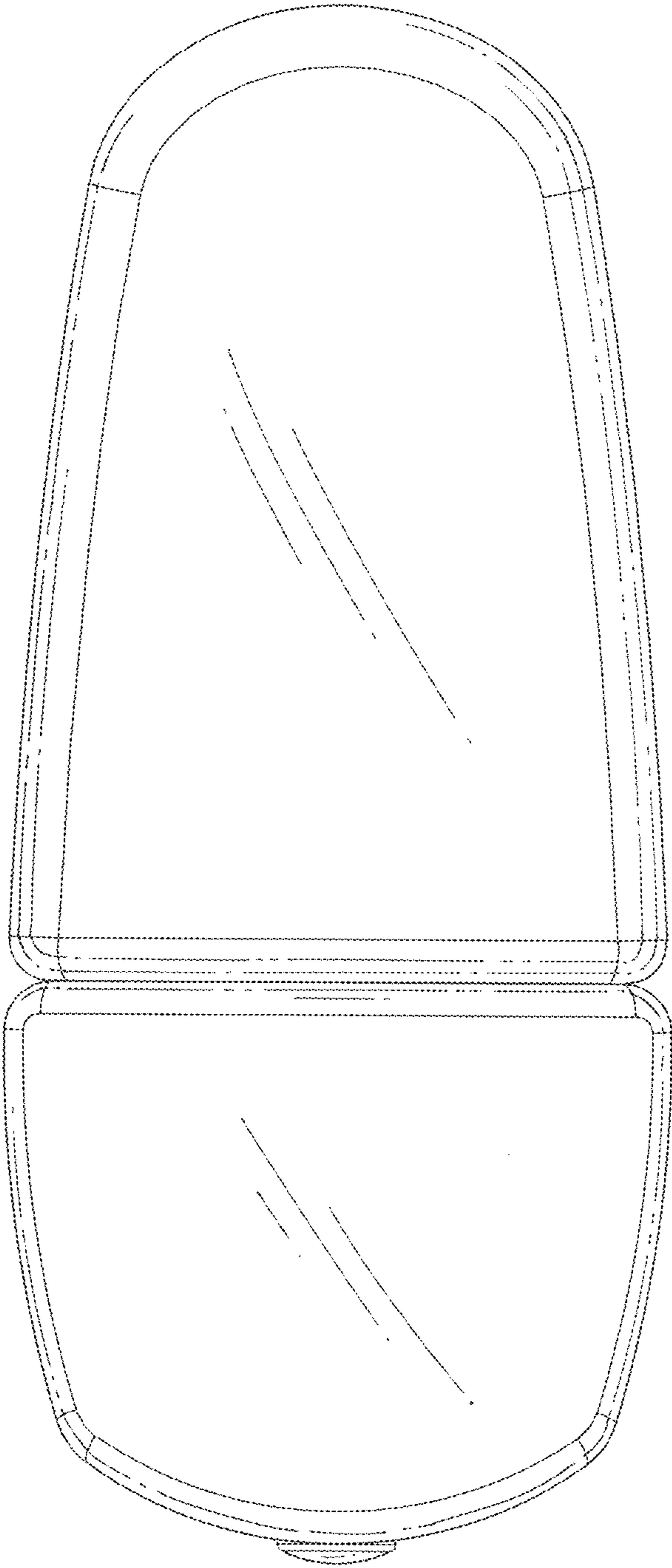


Fig.2

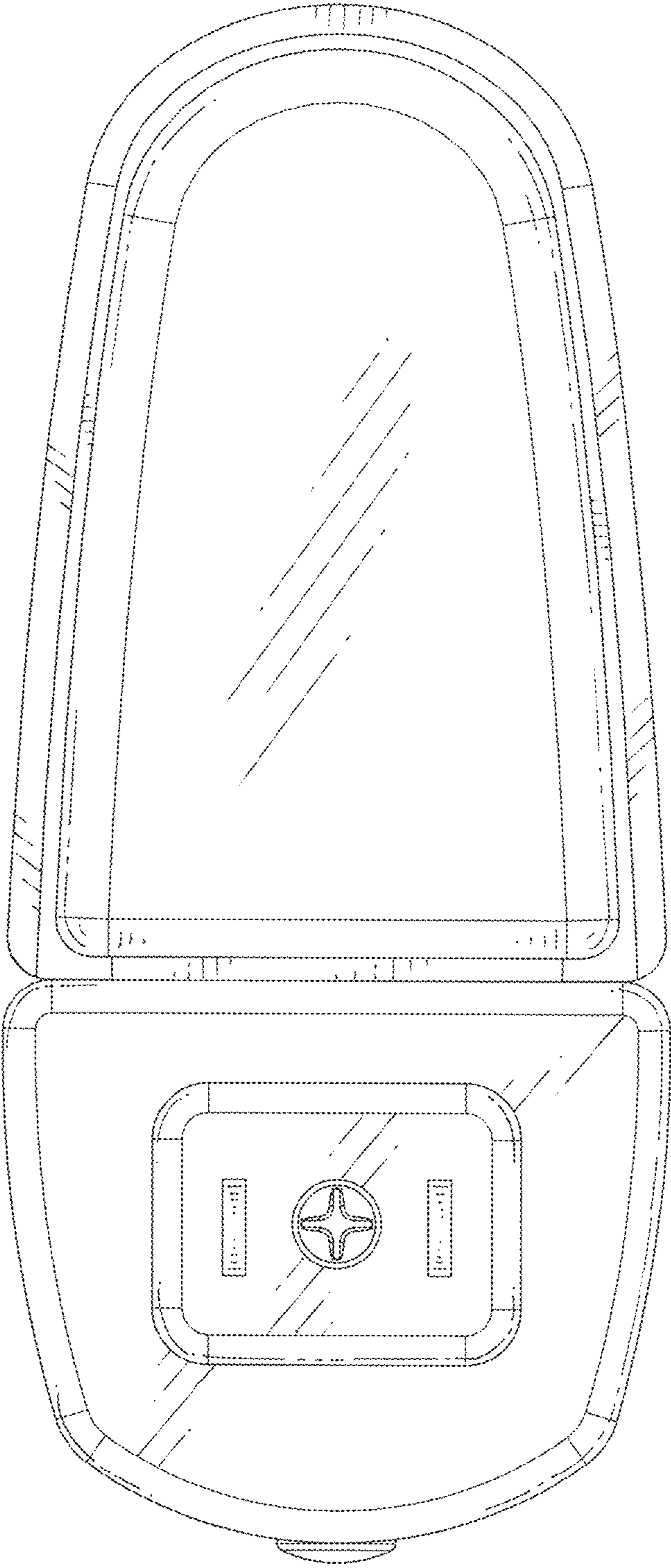


Fig.3

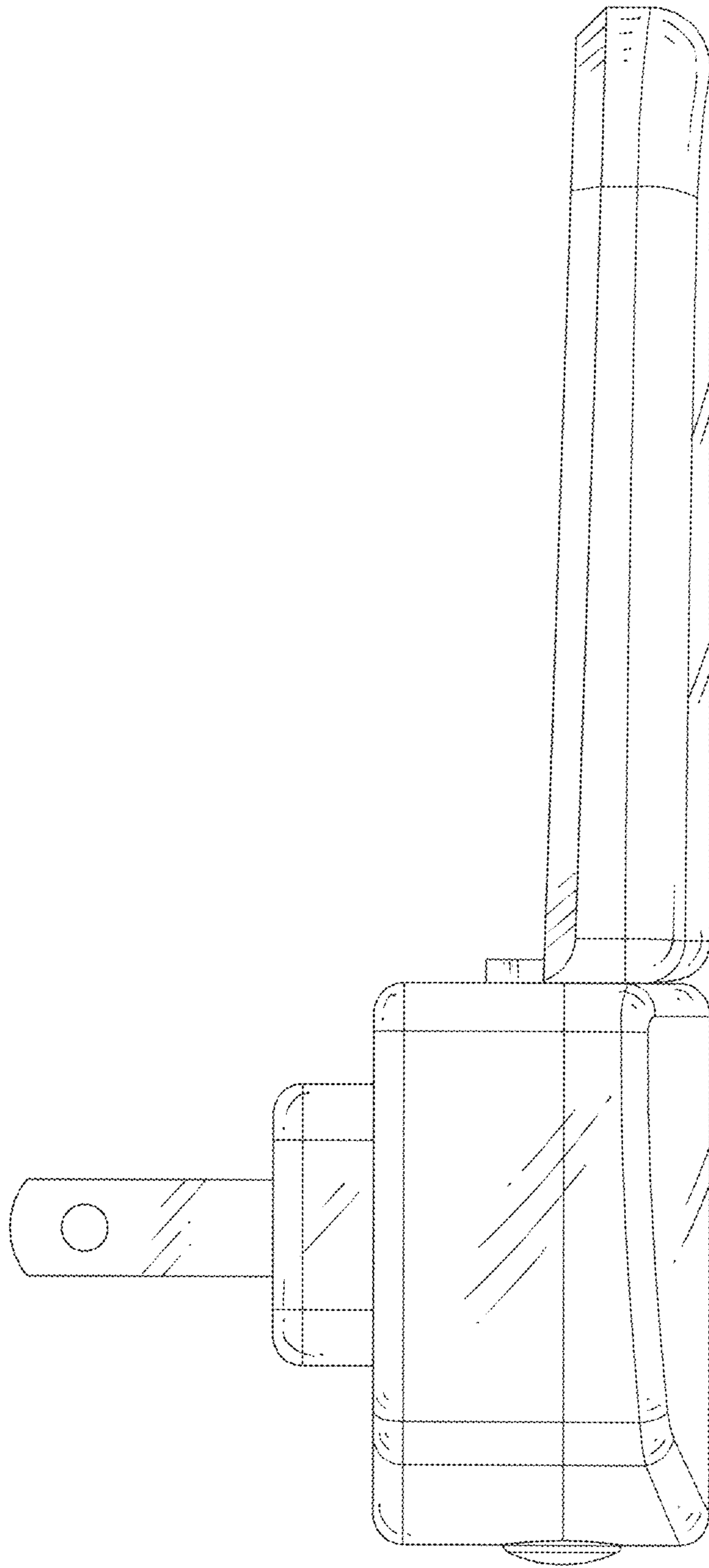


Fig.4

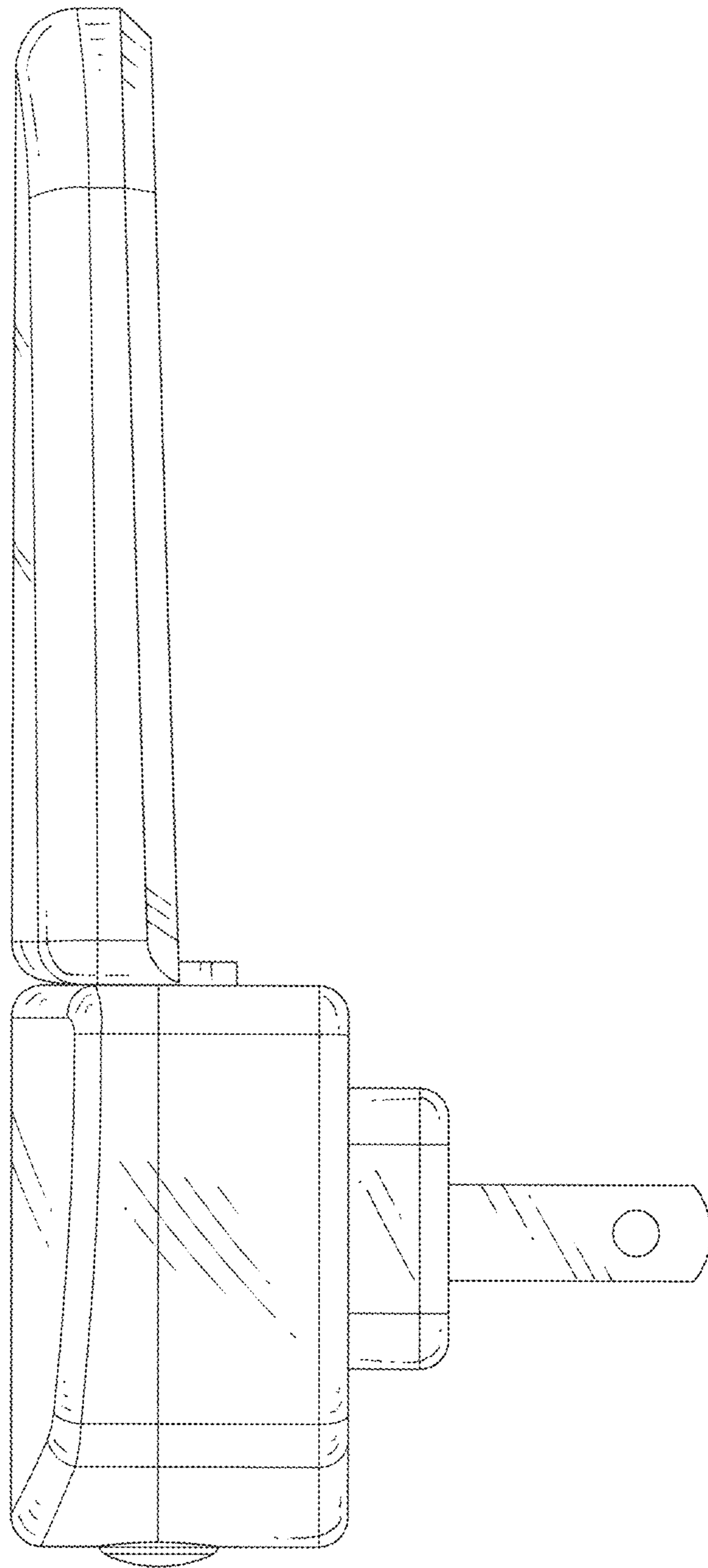


Fig. 5

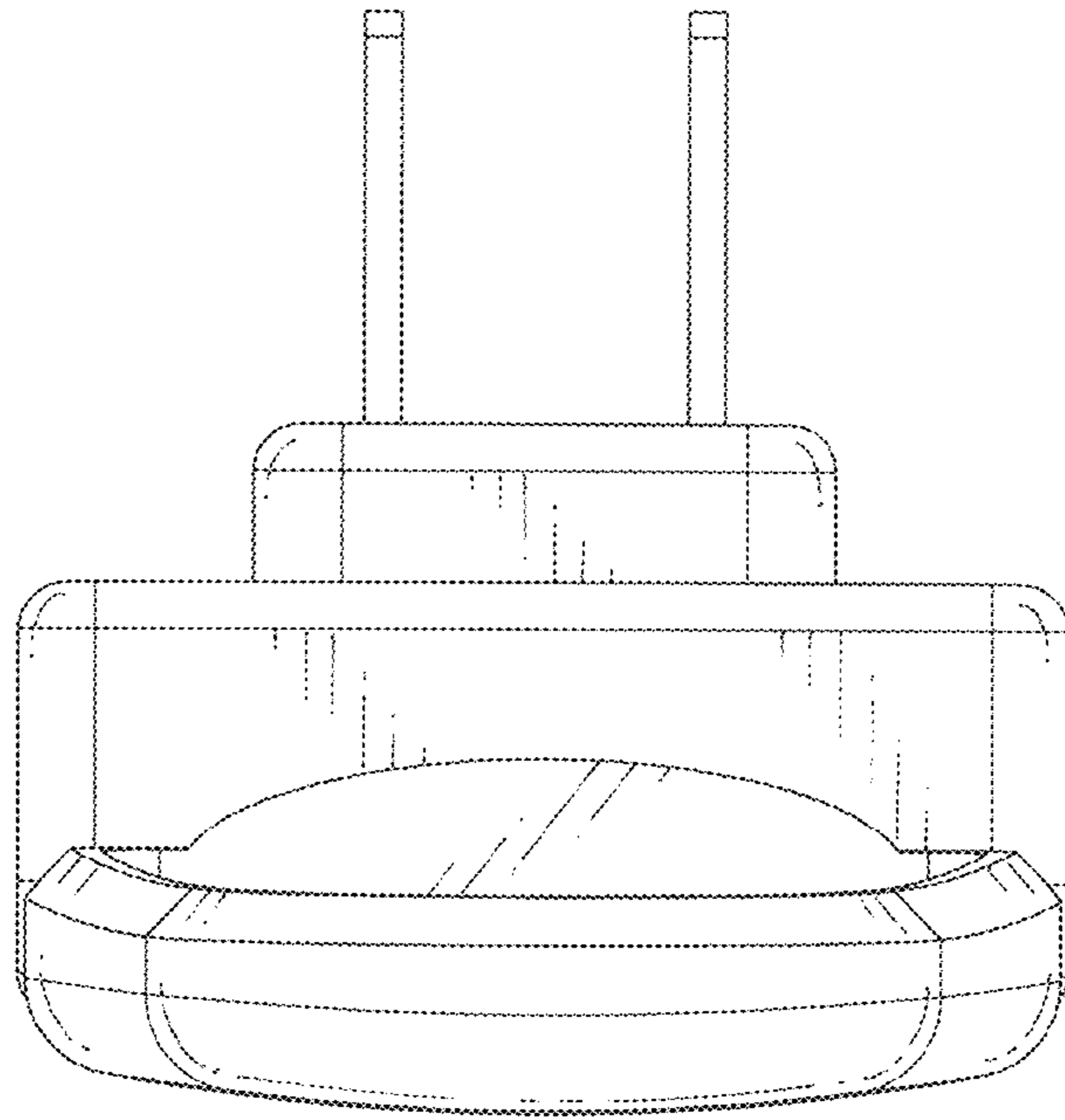


Fig.6

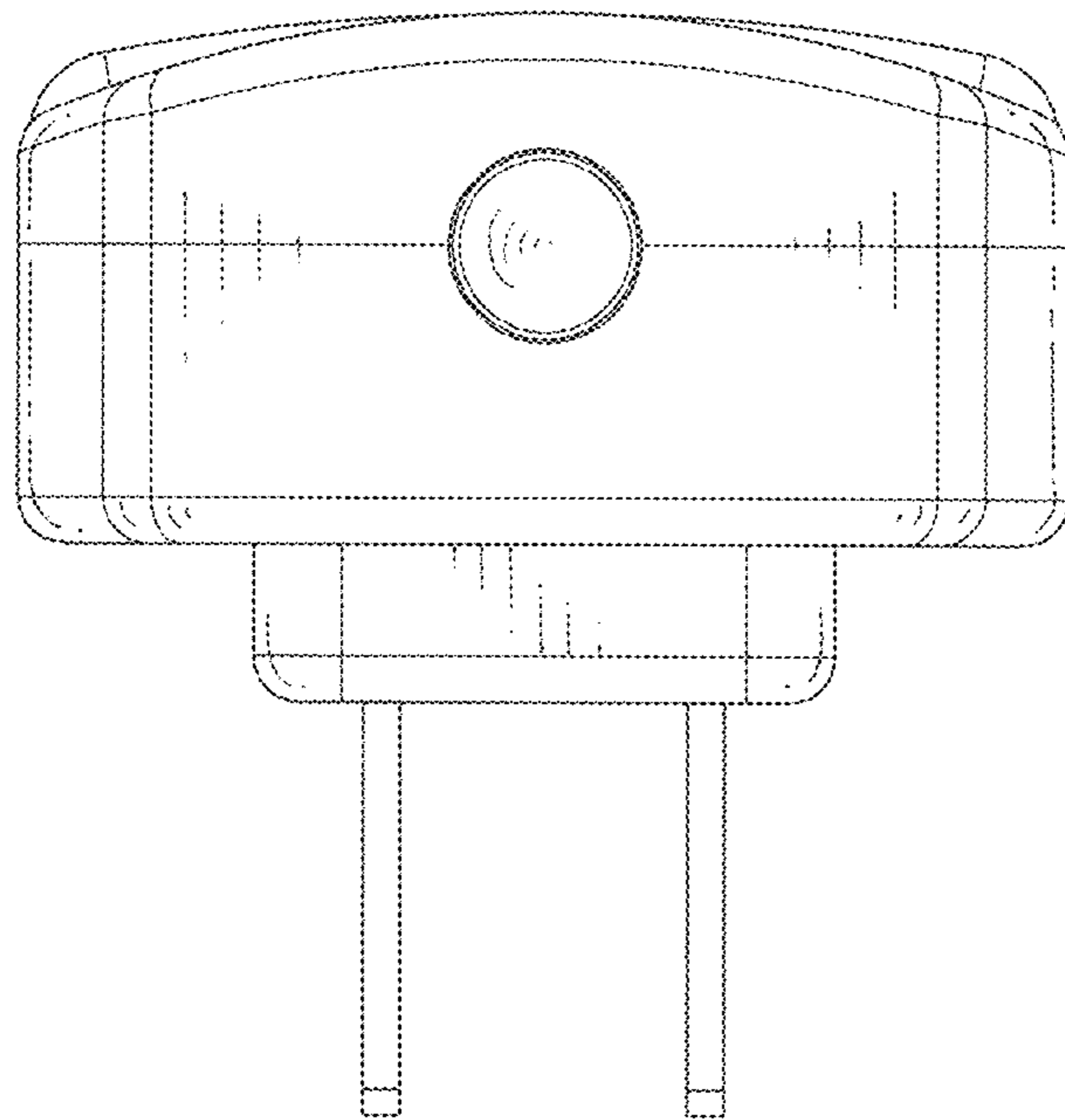


Fig.7

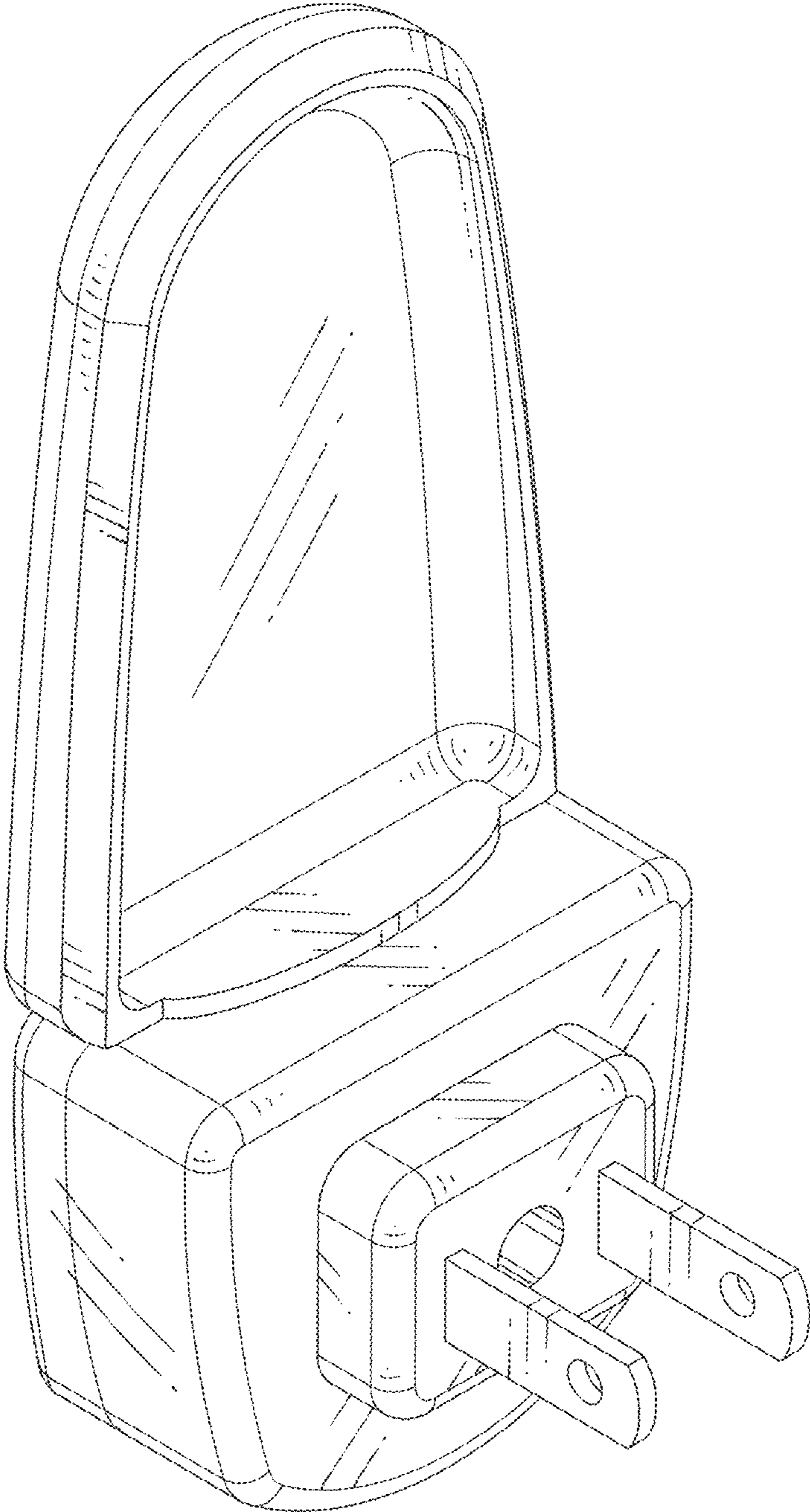


Fig.8