



US00D812785S

(12) **United States Design Patent** (10) **Patent No.:** **US D812,785 S**  
**Azria et al.** (45) **Date of Patent:** **\*\* Mar. 13, 2018**

(54) **LIGHT BULB**

(71) Applicants: **Max Azria**, Los Angeles, CA (US);  
**Robert M. McFarlane**, Los Angeles,  
CA (US); **Yasmine Hanane**, Los  
Angeles, CA (US)

(72) Inventors: **Max Azria**, Los Angeles, CA (US);  
**Robert M. McFarlane**, Los Angeles,  
CA (US); **Yasmine Hanane**, Los  
Angeles, CA (US)

(73) Assignee: **Clean Concept, LLC**, West Hollywood,  
CA (US)

(\*\*) Term: **15 Years**

(21) Appl. No.: **29/584,364**

(22) Filed: **Nov. 14, 2016**

(51) **LOC (11) Cl.** ..... **26-04**

(52) **U.S. Cl.**  
USPC ..... **D26/2**

(58) **Field of Classification Search**  
USPC ..... D26/1-4; 313/313, 315, 316, 317, 318,  
313/493; 315/52, 53, 56, 57, 58  
CPC ..... H01R 5/00; H01R 13/46; H01R 13/514;  
H01R 31/048; H01R 31/02; H01J 5/00;  
H01J 5/16; H01J 15/00; H01J 5/48; H01J  
5/50; H01J 19/54; F21V 5/00

See application file for complete search history.

(56) **References Cited**

U.S. PATENT DOCUMENTS

D508,575 S \* 8/2005 Buschmann ..... D26/2  
D528,227 S \* 9/2006 Chou ..... D26/2  
D531,741 S \* 11/2006 Takahashi ..... D26/2  
D538,953 S \* 3/2007 Mama ..... D26/2  
D651,327 S \* 12/2011 Hsiao ..... D26/2

\* cited by examiner

*Primary Examiner* — Marcus Jackson

(74) *Attorney, Agent, or Firm* — Kelley Drye & Warren  
LLP

(57) **CLAIM**

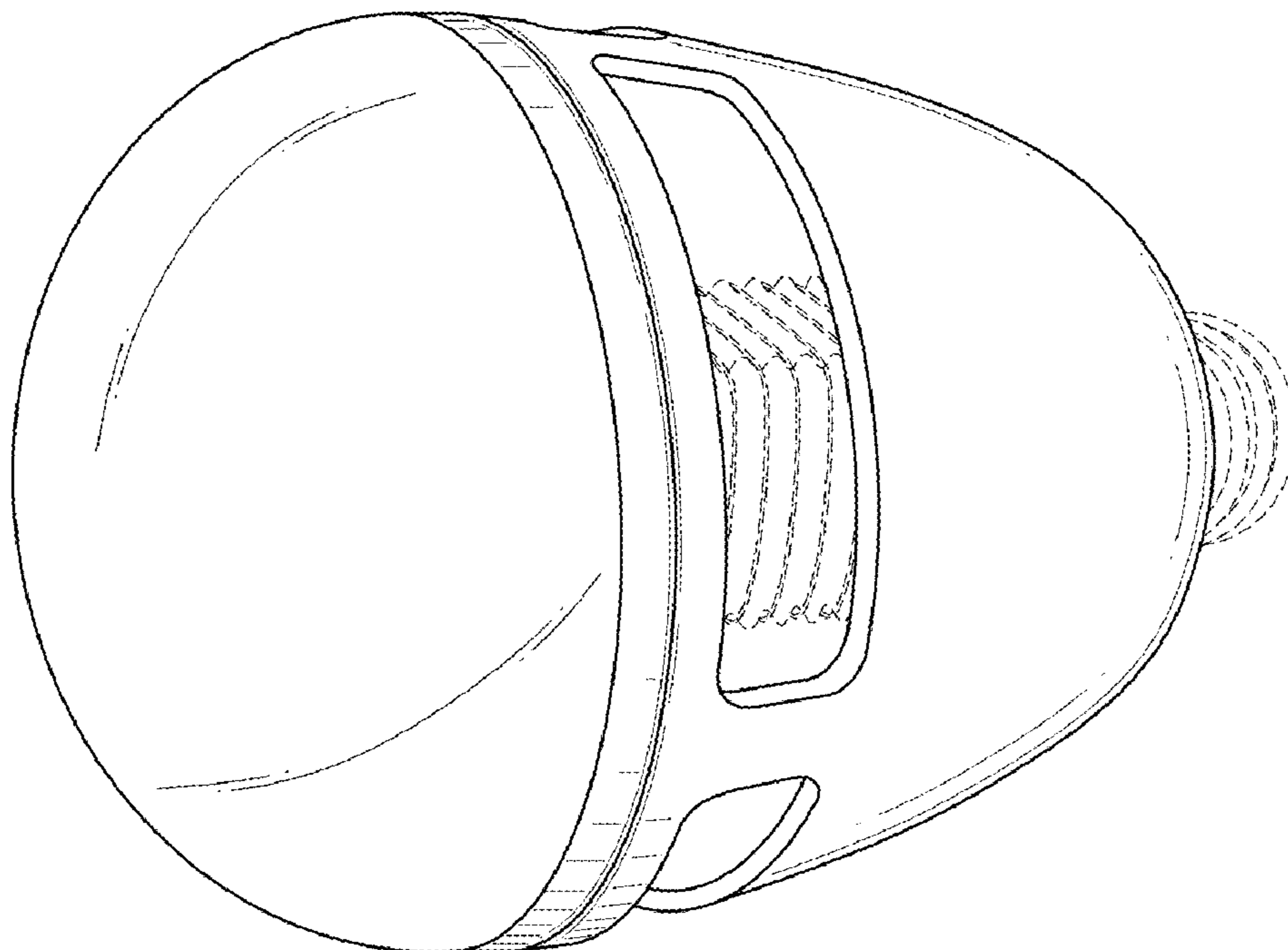
The ornamental design for a light bulb, as shown and  
described.

**DESCRIPTION**

FIG. 1 is a perspective view of a light bulb;  
FIG. 2 is a side elevation view thereof;  
FIG. 3 is a top view thereof; and,  
FIG. 4 is a bottom view thereof.

The broken lines in the figures are included for the purpose  
of illustrating the environment in which the design is used  
and form no part of the claimed design. The side elevation  
view in FIG. 2 represents the front, rear, left and right side  
views of the design because all sides are identical.

**1 Claim, 3 Drawing Sheets**



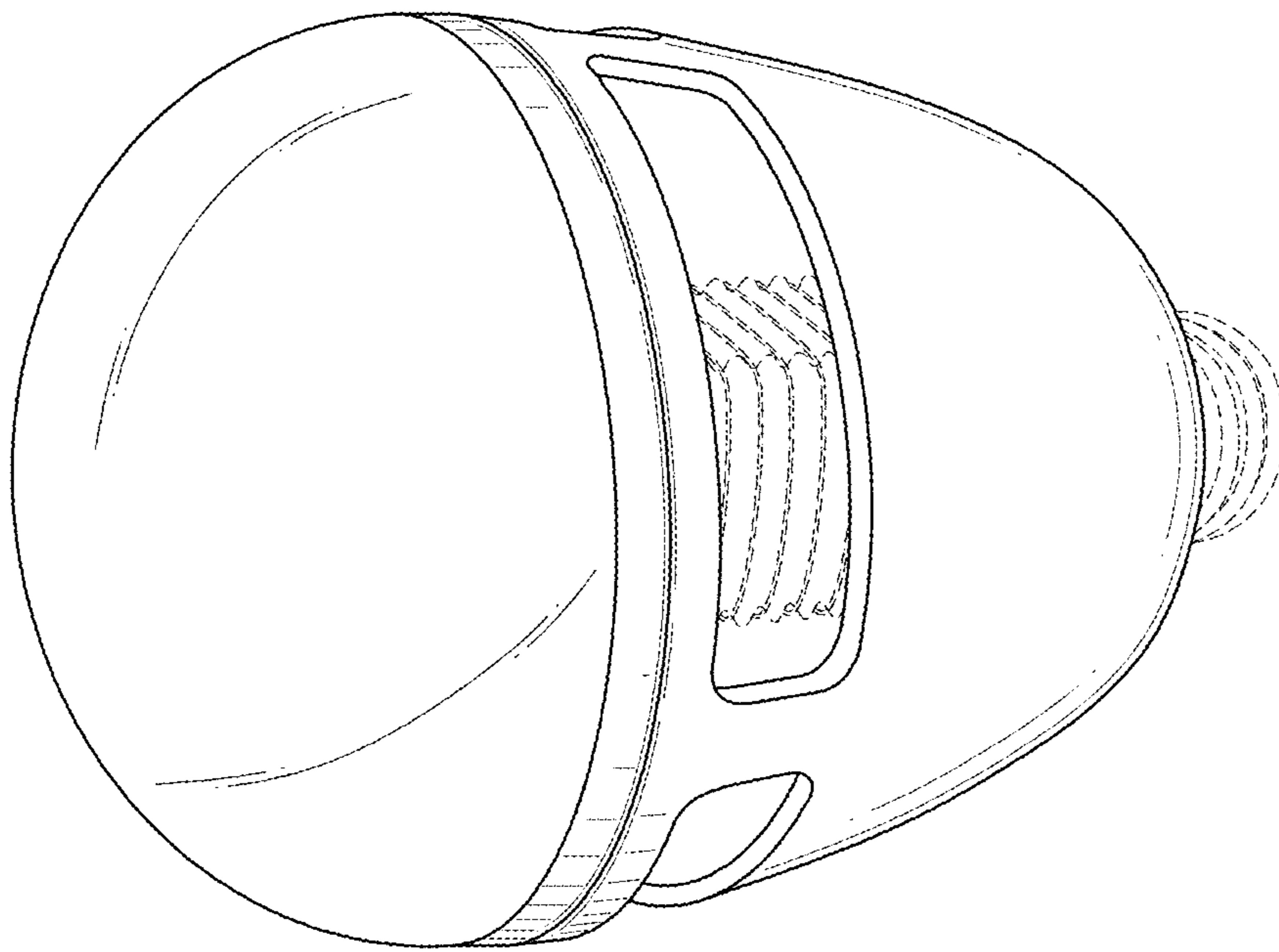


FIG. 1

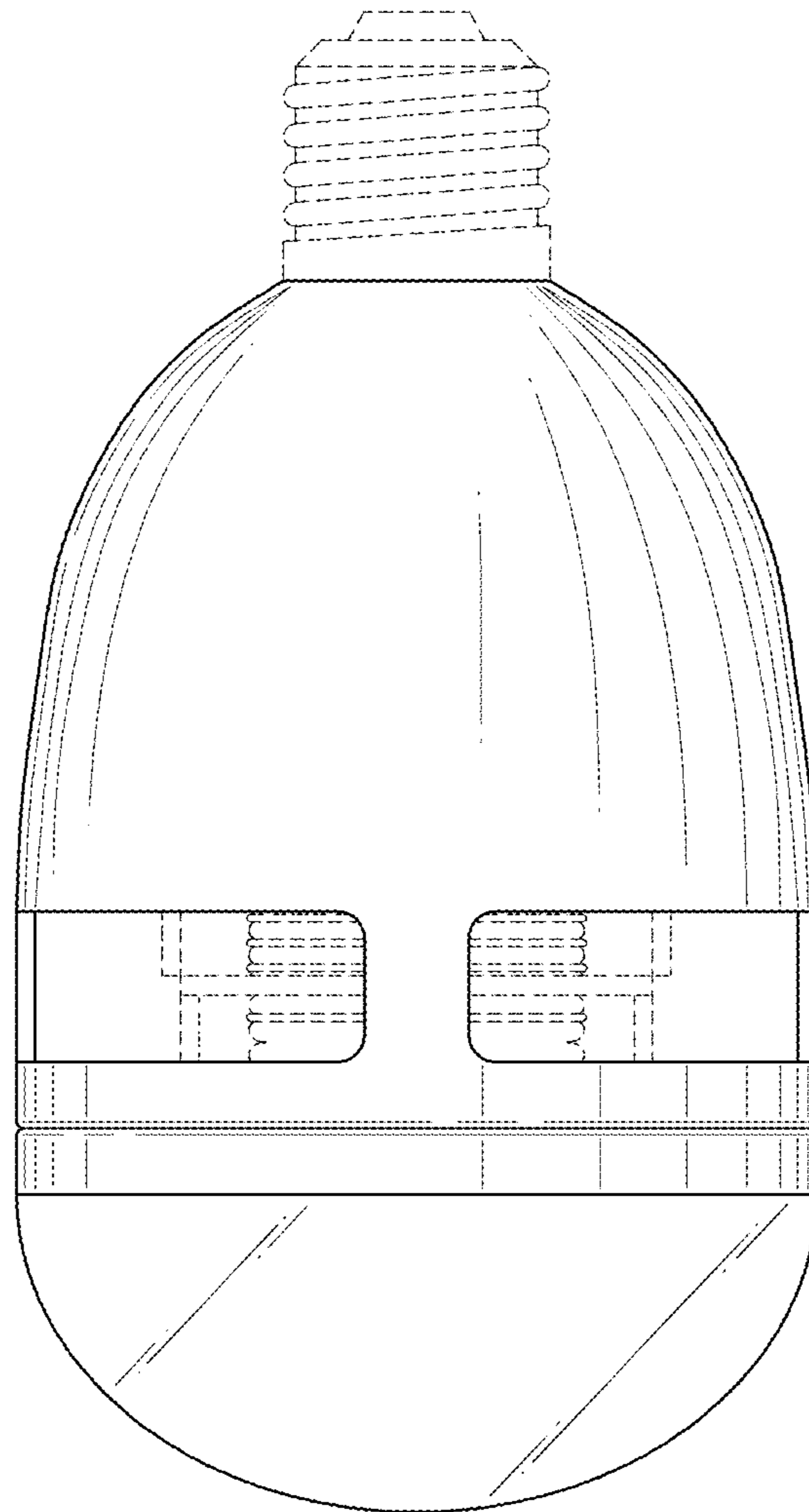


FIG. 2

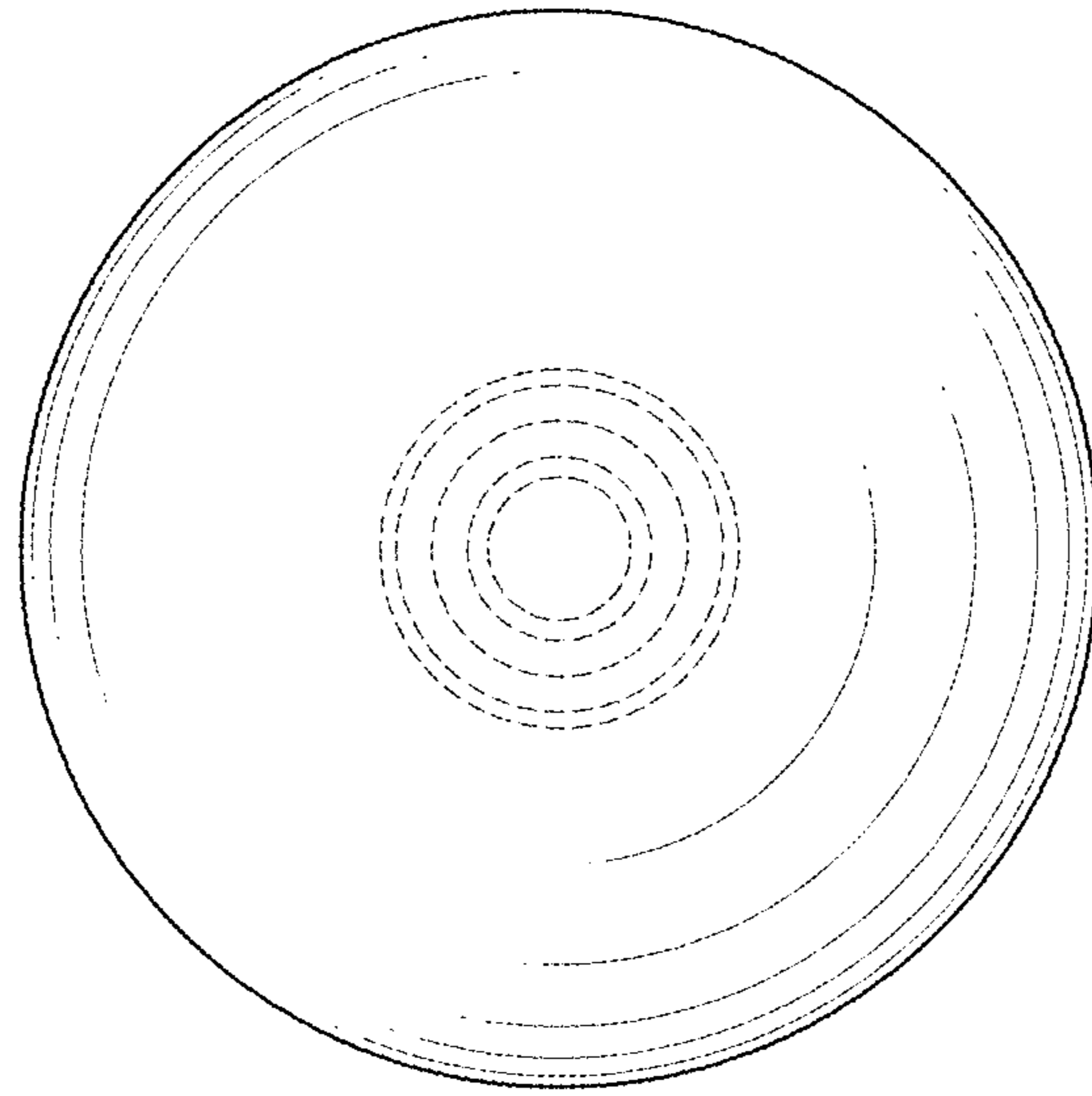


FIG. 3

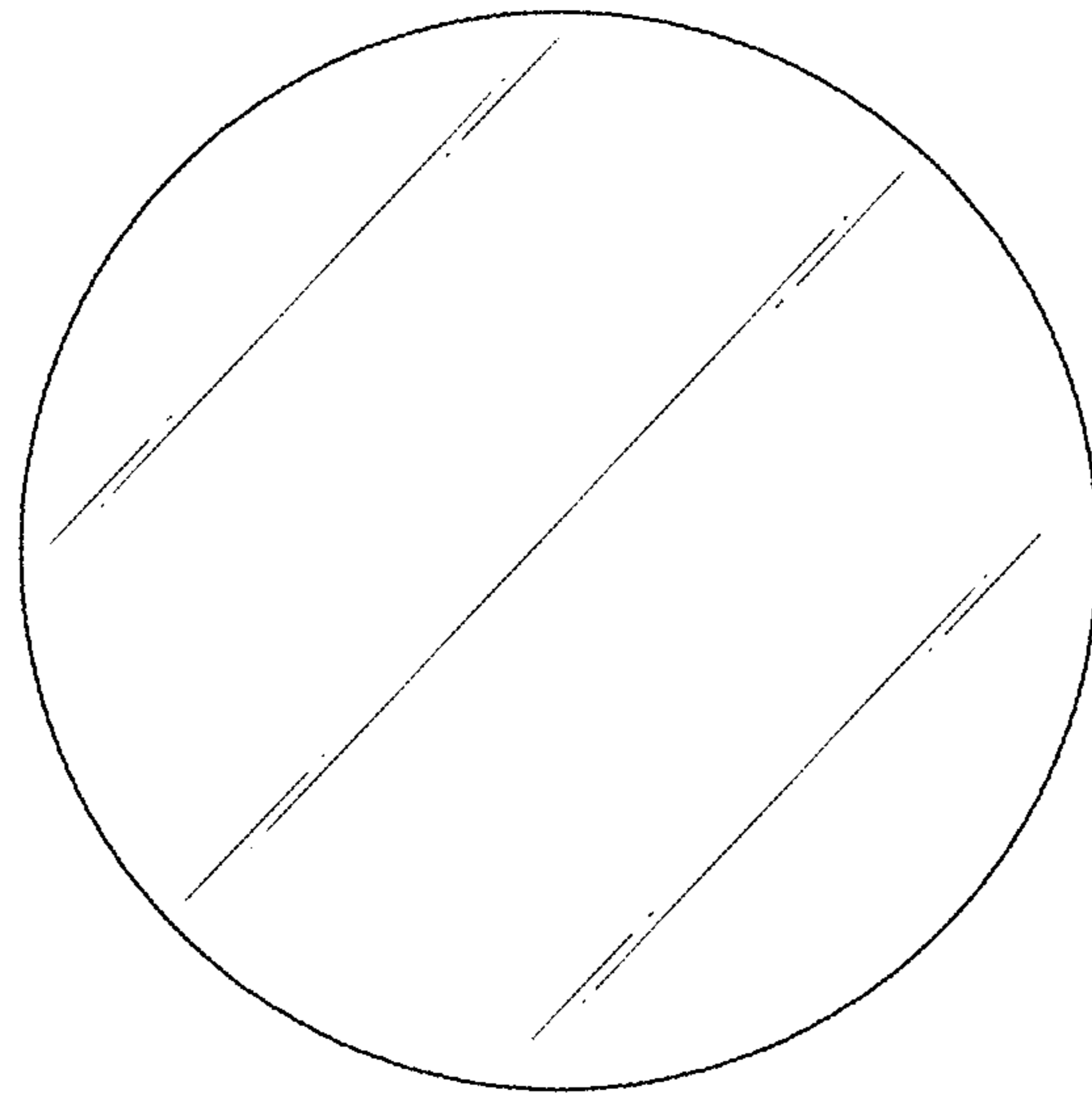


FIG. 4