



US00D812784S

(12) **United States Design Patent**  
**Owens**

(10) **Patent No.:** **US D812,784 S**  
(45) **Date of Patent:** **\*\* Mar. 13, 2018**

- (54) **HEIGHT-ADJUSTABLE SUPPORT ASSEMBLY**
- (71) Applicant: **Thomas G. Owens**, Chesterfield, MI (US)
- (72) Inventor: **Thomas G. Owens**, Chesterfield, MI (US)
- (\*\*) Term: **15 Years**
- (21) Appl. No.: **29/551,269**
- (22) Filed: **Jan. 12, 2016**
- (51) **LOC (11) Cl.** ..... **25-99**
- (52) **U.S. Cl.**  
USPC ..... **D25/199**
- (58) **Field of Classification Search**  
USPC .... D25/199; 52/51, 93.1, 126.6, 285.4, 297, 52/92.2; D8/354, 355  
CPC ..... E04B 1/24; E04B 1/76; E04B 1/78; E04B 2/7818; E04B 2001/2421; E04B 2005/176; E04B 5/12; E04B 5/43; E04B 5/48; E04C 3/005; E04C 3/40  
See application file for complete search history.

(56) **References Cited**

U.S. PATENT DOCUMENTS

D194,373	S *	1/1963	Long	.....	D25/199
3,119,588	A *	1/1964	Keats	.....	E01F 13/02 116/173
4,631,878	A	12/1986	Laramore		
5,197,251	A	3/1993	Krysak		
5,653,077	A	8/1997	Carnicello et al.		
5,706,610	A *	1/1998	Mayle	.....	E04D 13/1407 285/42
5,855,360	A *	1/1999	Wurdack	.....	B66F 3/10 254/100
D489,834	S *	5/2004	Weston	.....	D25/199
D493,096	S *	7/2004	Sittig	.....	D8/374
D509,455	S *	9/2005	Nordahl	.....	D10/106.1

D620,782	S *	8/2010	Wurdack	.....	D8/363
D629,533	S *	12/2010	Ward	.....	D25/199
7,857,287	B2 *	12/2010	Rucks	.....	B60S 9/22 254/100
7,874,114	B2	1/2011	Snyder		
8,117,787	B2 *	2/2012	Lee	.....	E04G 25/06 248/354.1
9,004,439	B2 *	4/2015	Gross	.....	E04H 12/2261 248/507
9,046,194	B2 *	6/2015	Gandolfo	.....	F16L 5/04
9,068,354	B2 *	6/2015	Railkar	.....	E04D 13/1475
D733,540	S *	7/2015	Merey	.....	D8/374
D784,120	S *	4/2017	Abdi	.....	D8/374

(Continued)

*Primary Examiner* — Vy N Koenig  
*Assistant Examiner* — Kimberly Barnes  
 (74) *Attorney, Agent, or Firm* — Carrier Blackman & Associates, P.C.; Joseph P. Carrier; William D. Blackman

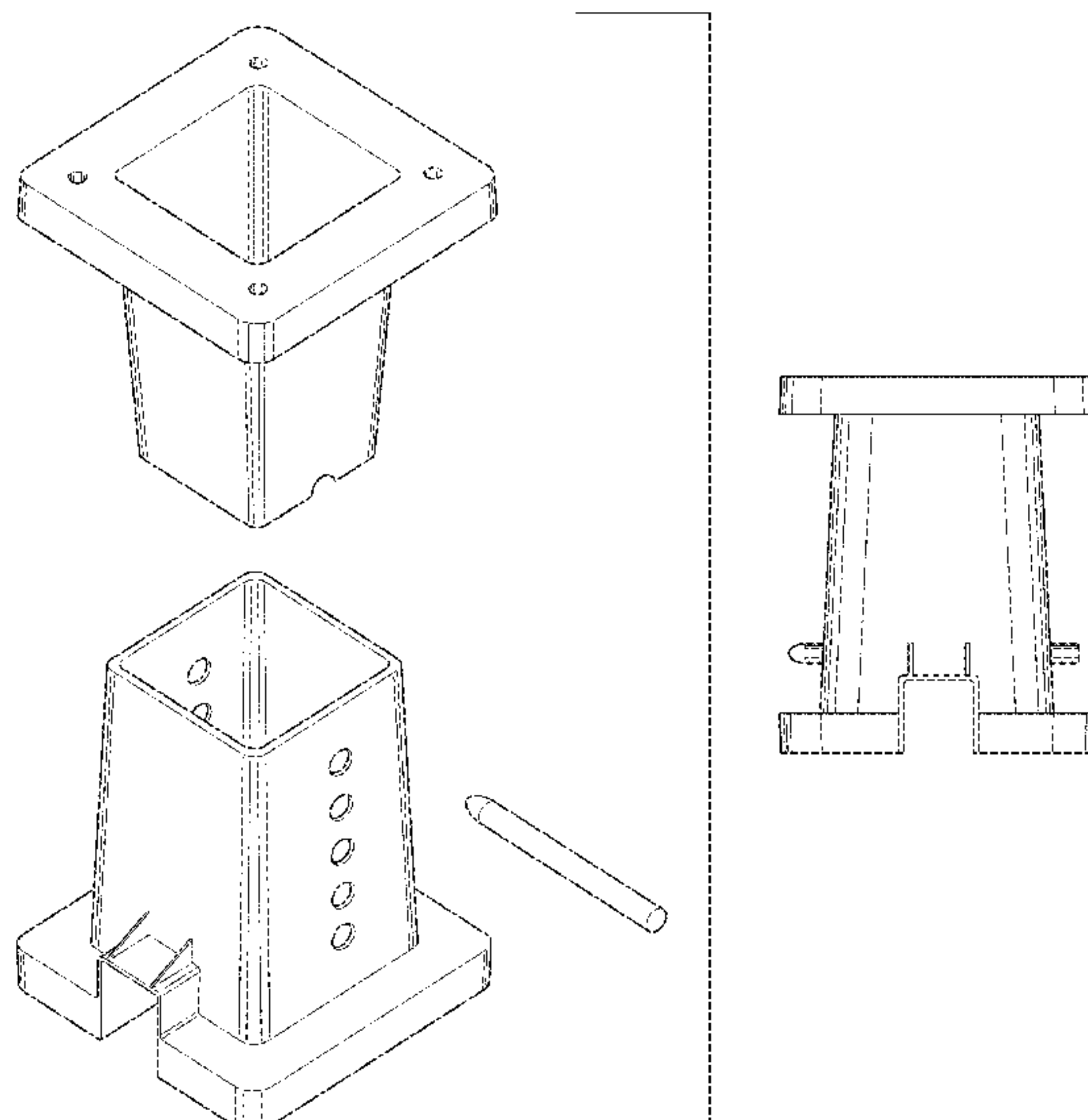
(57) **CLAIM**

The ornamental design for a height-adjustable support assembly, as shown and described.

**DESCRIPTION**

FIG. 1 is an exploded perspective view of my new, original, and ornamental design for a height-adjustable support assembly;  
 FIG. 2 is a front elevational view as it would appear when assembled, the rear elevational view being identical to the front elevational view;  
 FIG. 3 is a right side elevational view thereof, the left side elevational view being identical to the right side elevational view;  
 FIG. 4 is a bottom plan view thereof; and,  
 FIG. 5 is a top plan view thereof.  
 The broken lines in the drawings illustrate portions of the height-adjustable support assembly that form no portion of the claimed design.

**1 Claim, 3 Drawing Sheets**



(56)

**References Cited**

U.S. PATENT DOCUMENTS

2002/0116893 A1\* 8/2002 Waldrop ..... E04B 2/7818  
52/843  
2003/0047658 A1\* 3/2003 Peter ..... F16M 11/22  
248/346.01  
2008/0216447 A1\* 9/2008 Hung ..... E06B 1/6069  
52/749.1  
2011/0283644 A1 11/2011 Barry et al.  
2013/0133282 A1 5/2013 Cave et al.  
2013/0239492 A1 9/2013 Cave et al.

\* cited by examiner

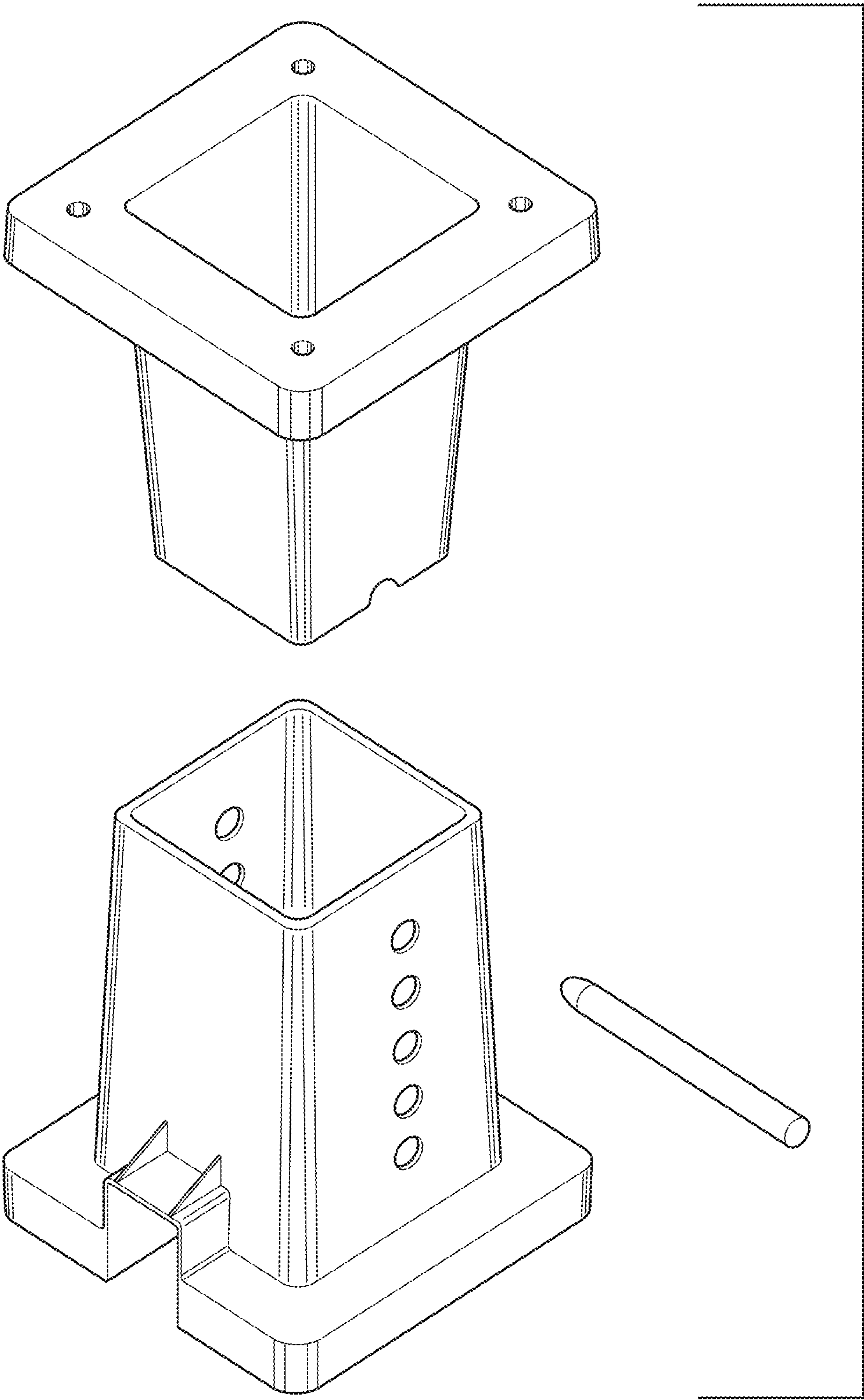


Fig. 1

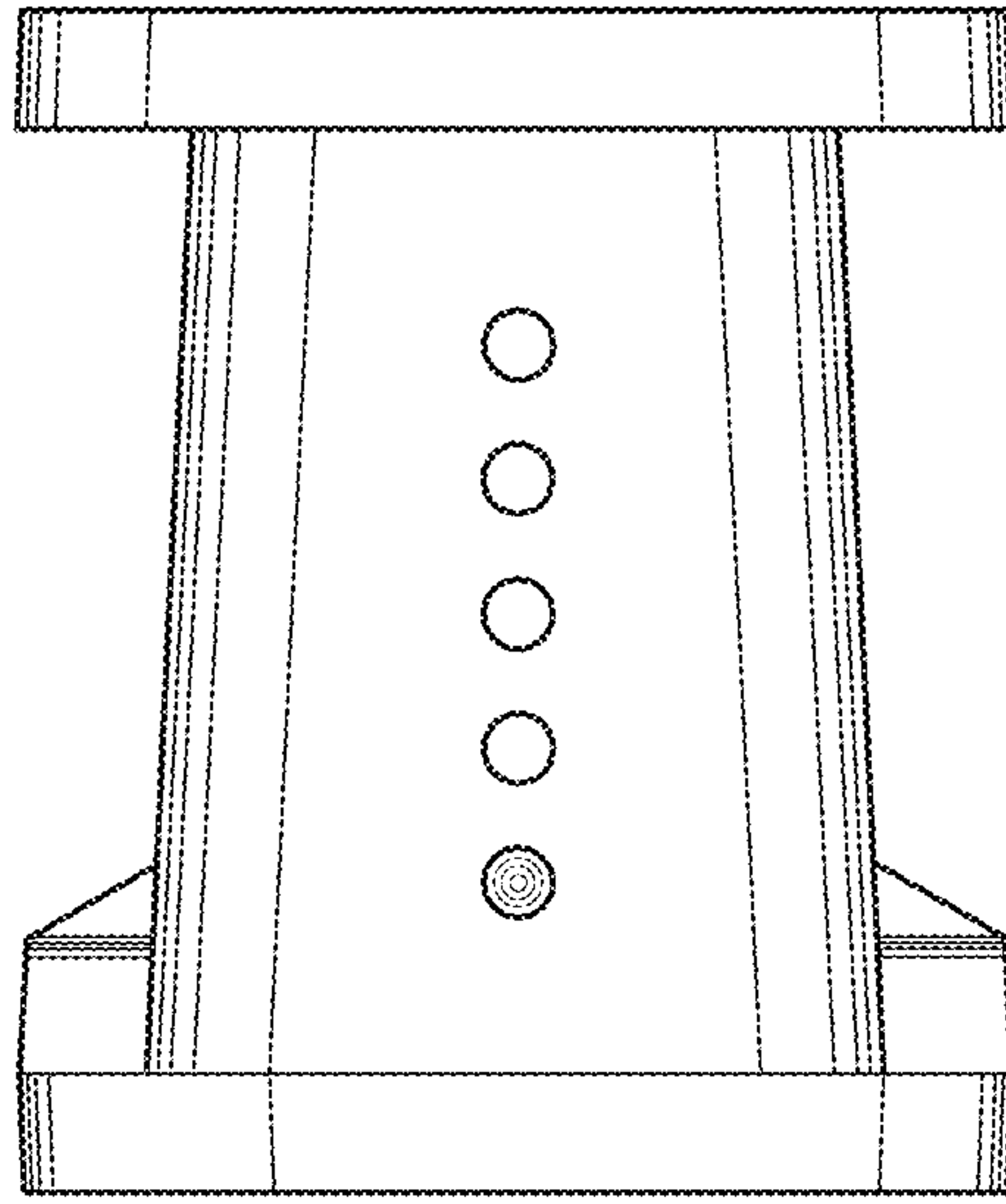


Fig. 2

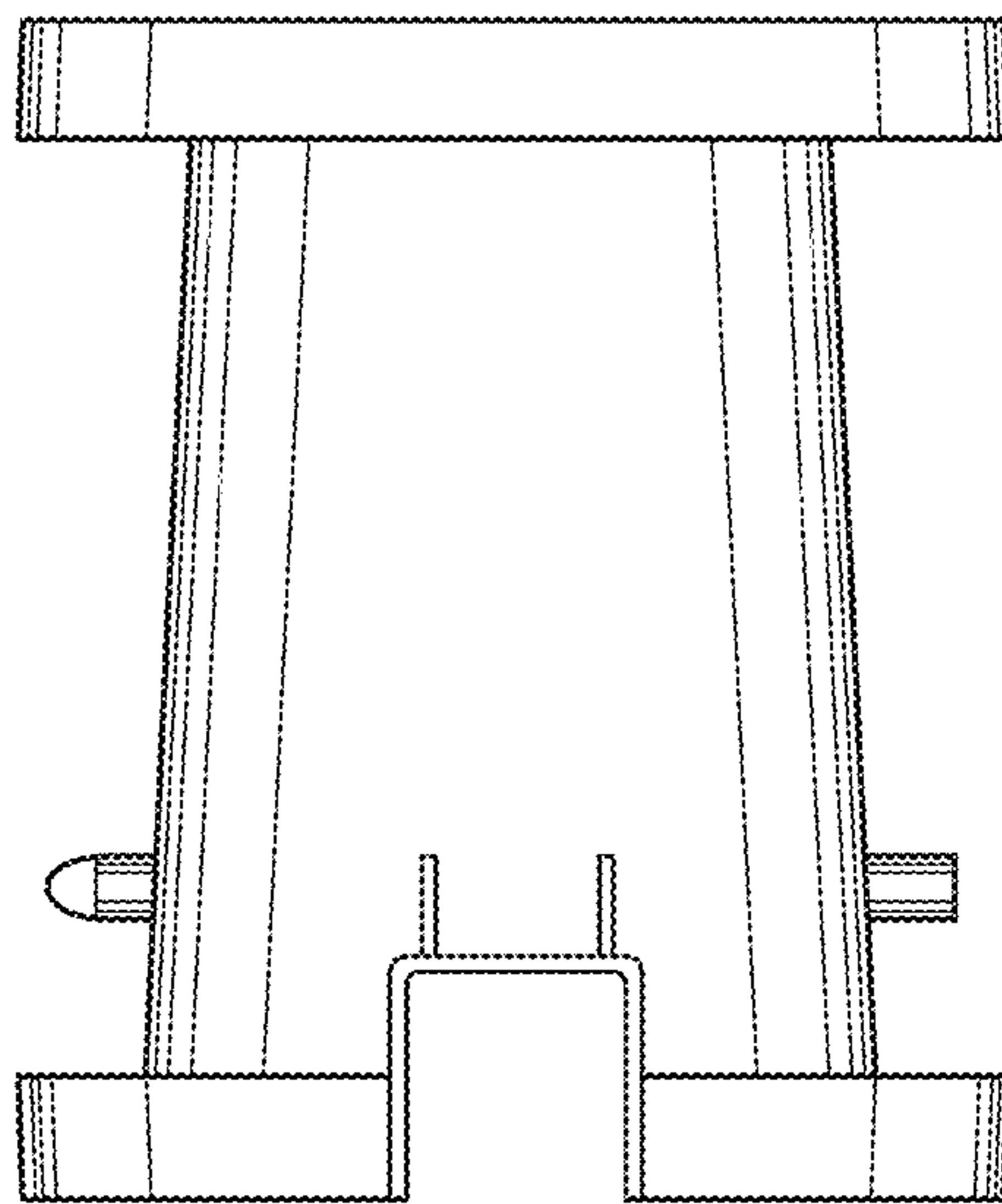


Fig. 3

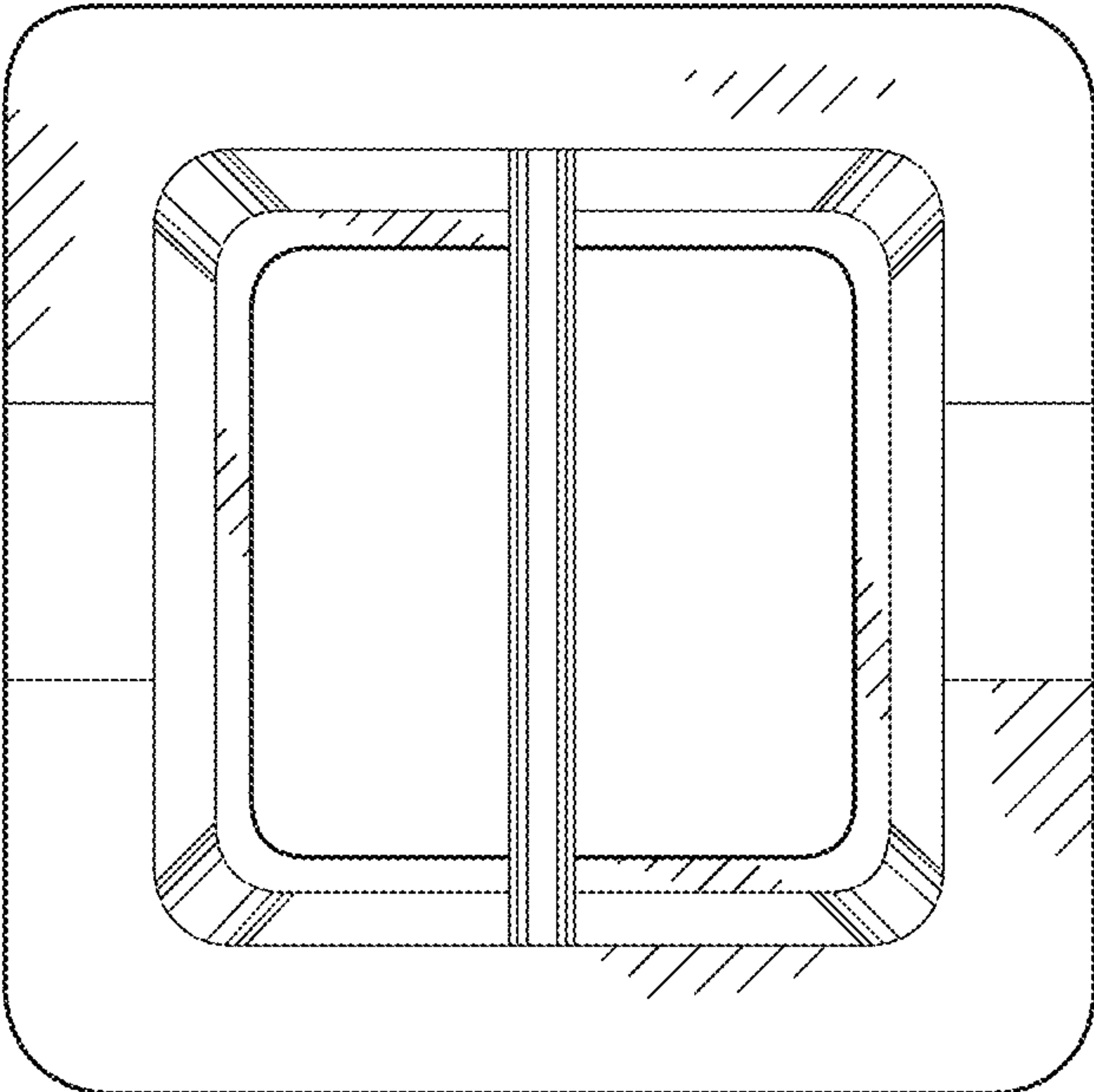


Fig. 4

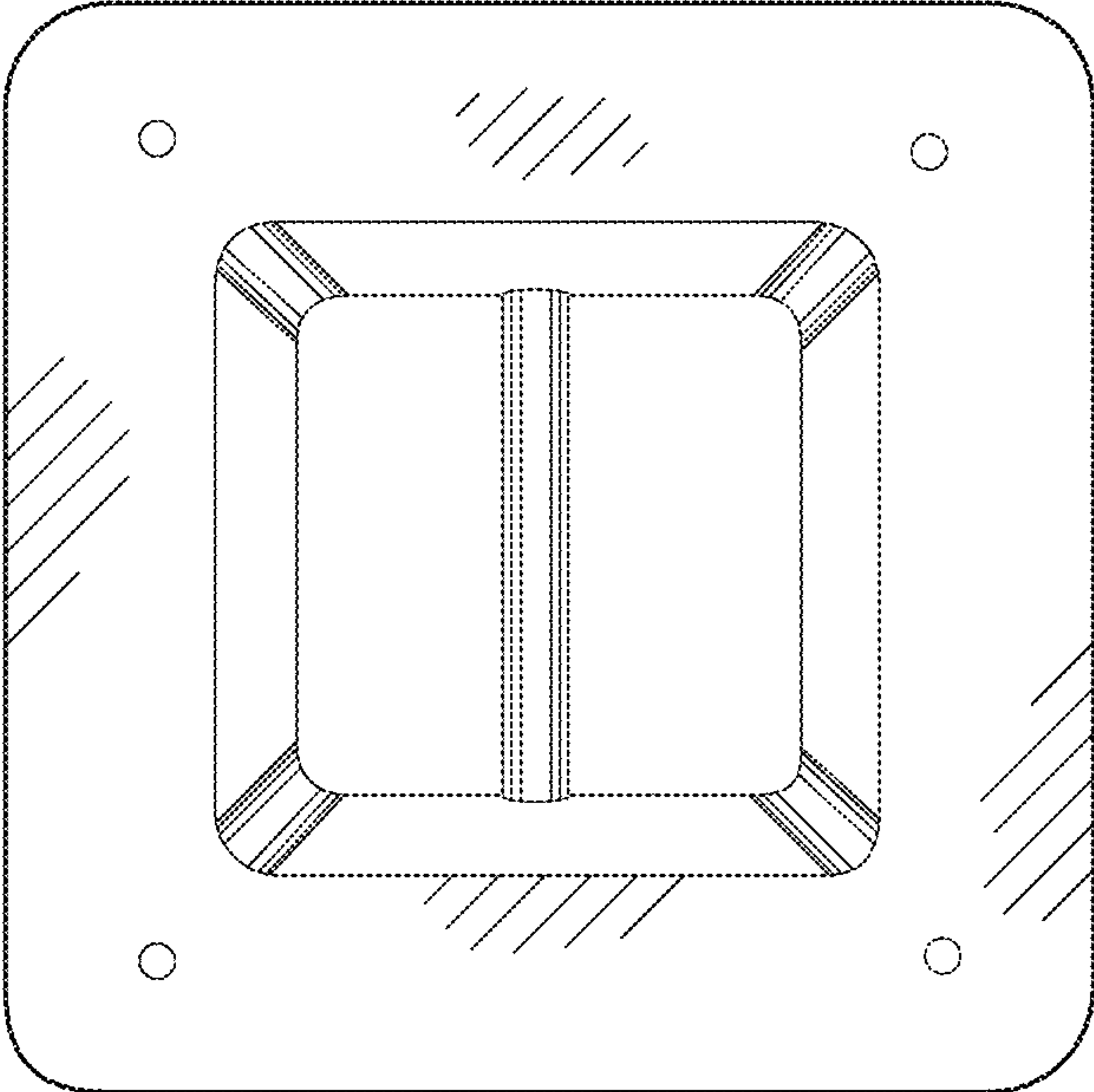


Fig. 5