



US00D812780S

(12) **United States Design Patent**
Saunders

(10) **Patent No.:** **US D812,780 S**
(45) **Date of Patent:** **** Mar. 13, 2018**

(54) **BUILDING FORMWORK ELEMENT**
(71) Applicant: **Knew Pod Systems Pty Ltd**, Fortitude Valley (AU)
(72) Inventor: **Kevin Saunders**, Benowa (AU)
(73) Assignee: **Knew Pod Systems Pty Ltd**, Fortitude Valley (AU)

D581,553	S	*	11/2008	Cooper	D25/163
D652,952	S	*	1/2012	Angel	D25/113
D674,115	S	*	1/2013	Merriam	D25/113
D716,879	S	*	11/2014	Norman	D21/486
D717,971	S	*	11/2014	Saunders	D25/113
D724,760	S	*	3/2015	Saunders	D25/113
2014/0106108	A1	*	4/2014	Lin	A63H 33/082
						428/58
2015/0098766	A1	*	4/2015	Saunders	E02D 27/12
						405/229

(**) Term: **15 Years**
(21) Appl. No.: **29/553,240**
(22) Filed: **Jan. 29, 2016**

OTHER PUBLICATIONS

<http://unipod.com.au/> Retrieved Nov. 10, 2016.*
* cited by examiner

(51) **LOC (11) Cl.** **25-01**
(52) **U.S. Cl.**
USPC **D25/113**
(58) **Field of Classification Search**
USPC D21/484-491, 499-504; D25/102-118,
D25/136, 138, 140, 151-153, 156-162,
D25/164; 52/293.1-293.3, 503-505, 574,
52/575, 596-612; 404/27-42; 405/16,
405/284, 286
CPC E02D 27/12; E02D 27/32; E02D 31/08;
E04G 13/00; E04B 1/16
See application file for complete search history.

Primary Examiner — Susan Bennett Hattan
Assistant Examiner — Leanne Was-Englehart
(74) *Attorney, Agent, or Firm* — Polsinelli PC

(57) **CLAIM**

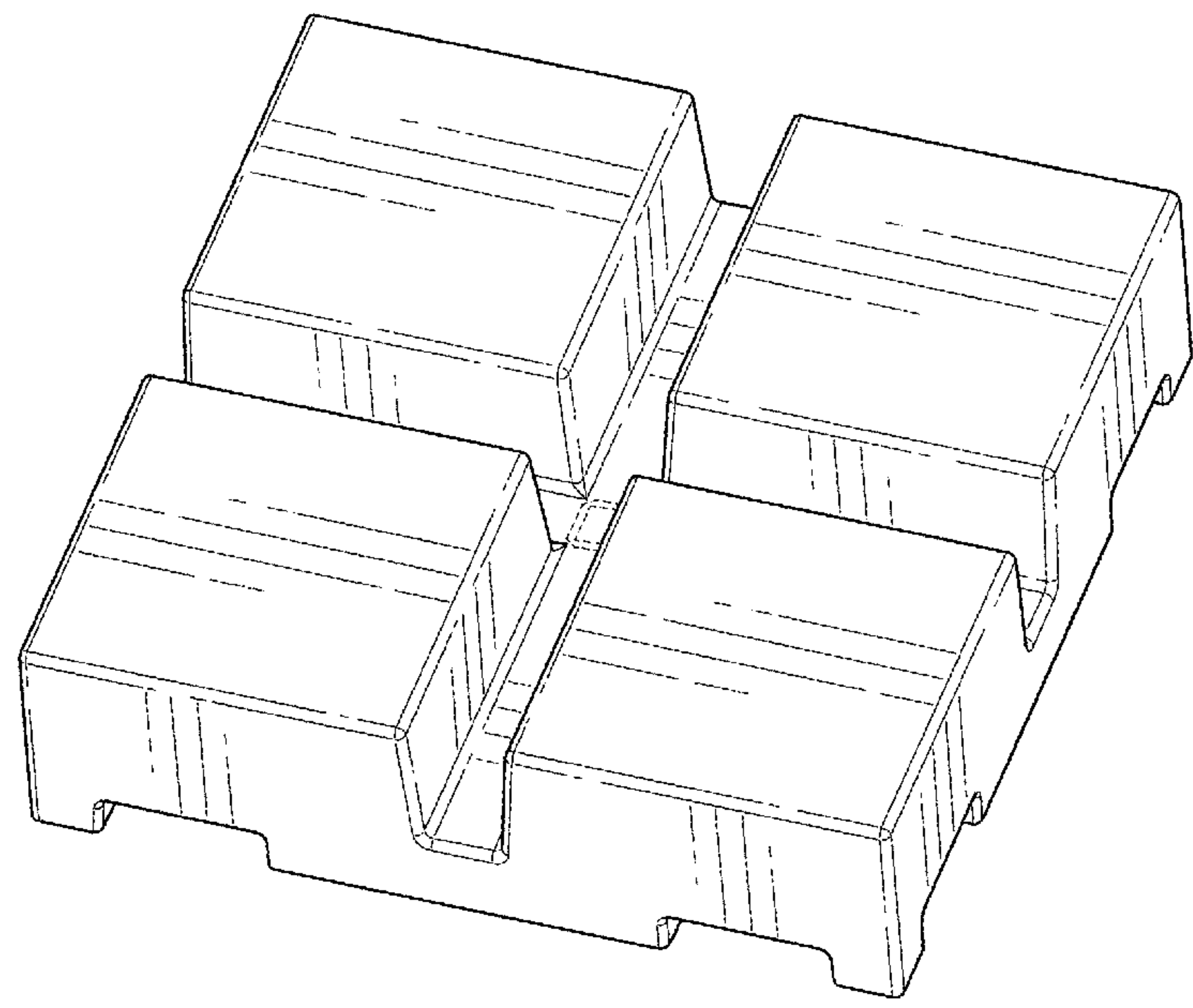
I claim the ornamental design for a building formwork element, as shown and described.

DESCRIPTION

FIG. 1 is a top perspective view of a building formwork element, showing my new design;
FIG. 2 is a bottom perspective view thereof;
FIG. 3 is a top plan view thereof;
FIG. 4 is a bottom plan view thereof; and,
FIG. 5 is a front view thereof.
The back view, left view, and right view of the building formwork element are identical to the front view, which is shown.
The broken lines depict portions of the building formwork element that form no part of the claimed design.

(56) **References Cited**
U.S. PATENT DOCUMENTS
165,896 A * 7/1875 Bickel et al. C04B 33/13
404/34
314,022 A * 3/1885 Heard E04B 2/42
52/605
725,364 A * 4/1903 Puls E04F 15/04
52/390
6,345,474 B1 * 2/2002 Triplett E02D 27/01
405/229

1 Claim, 5 Drawing Sheets



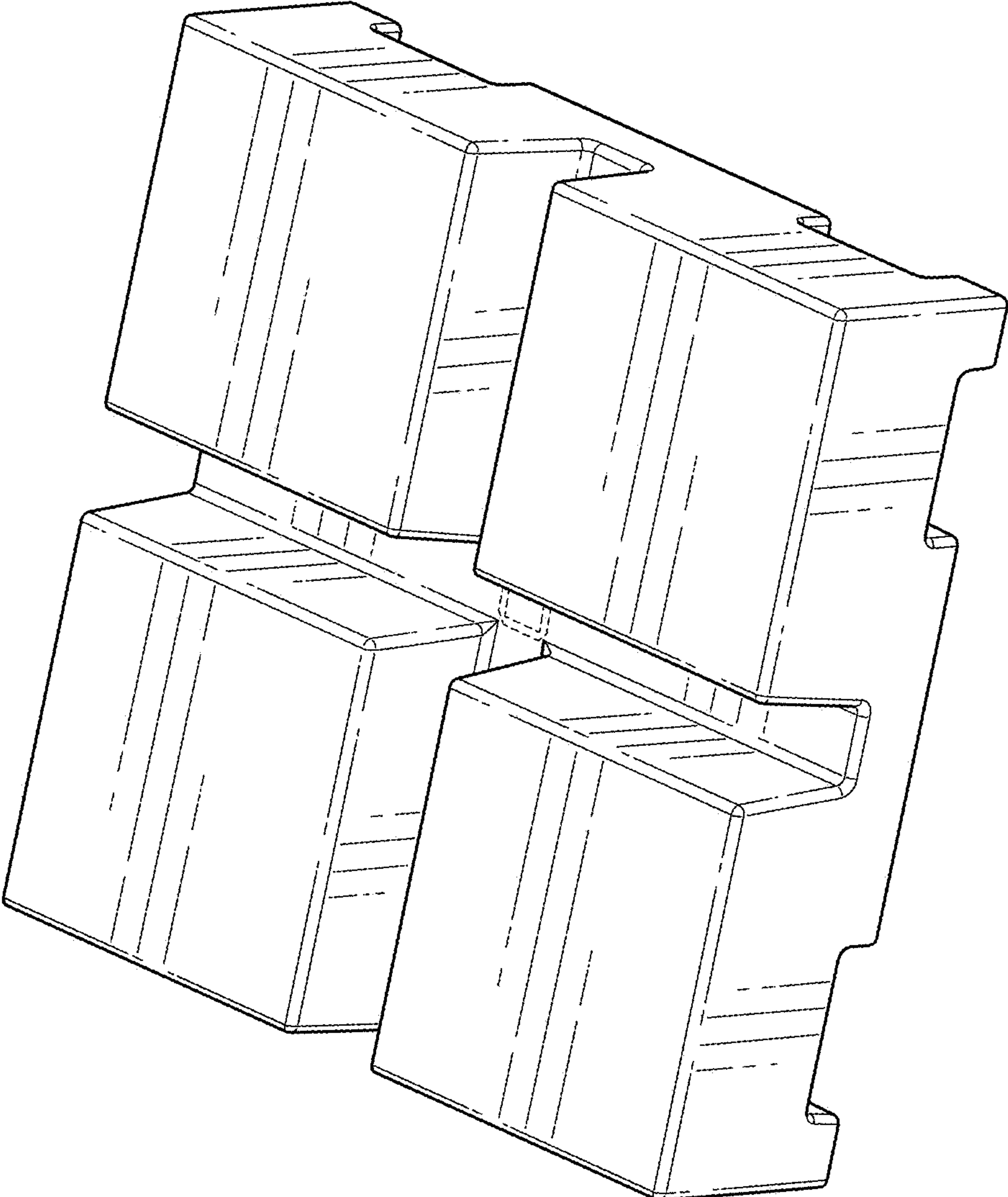


FIG. 1

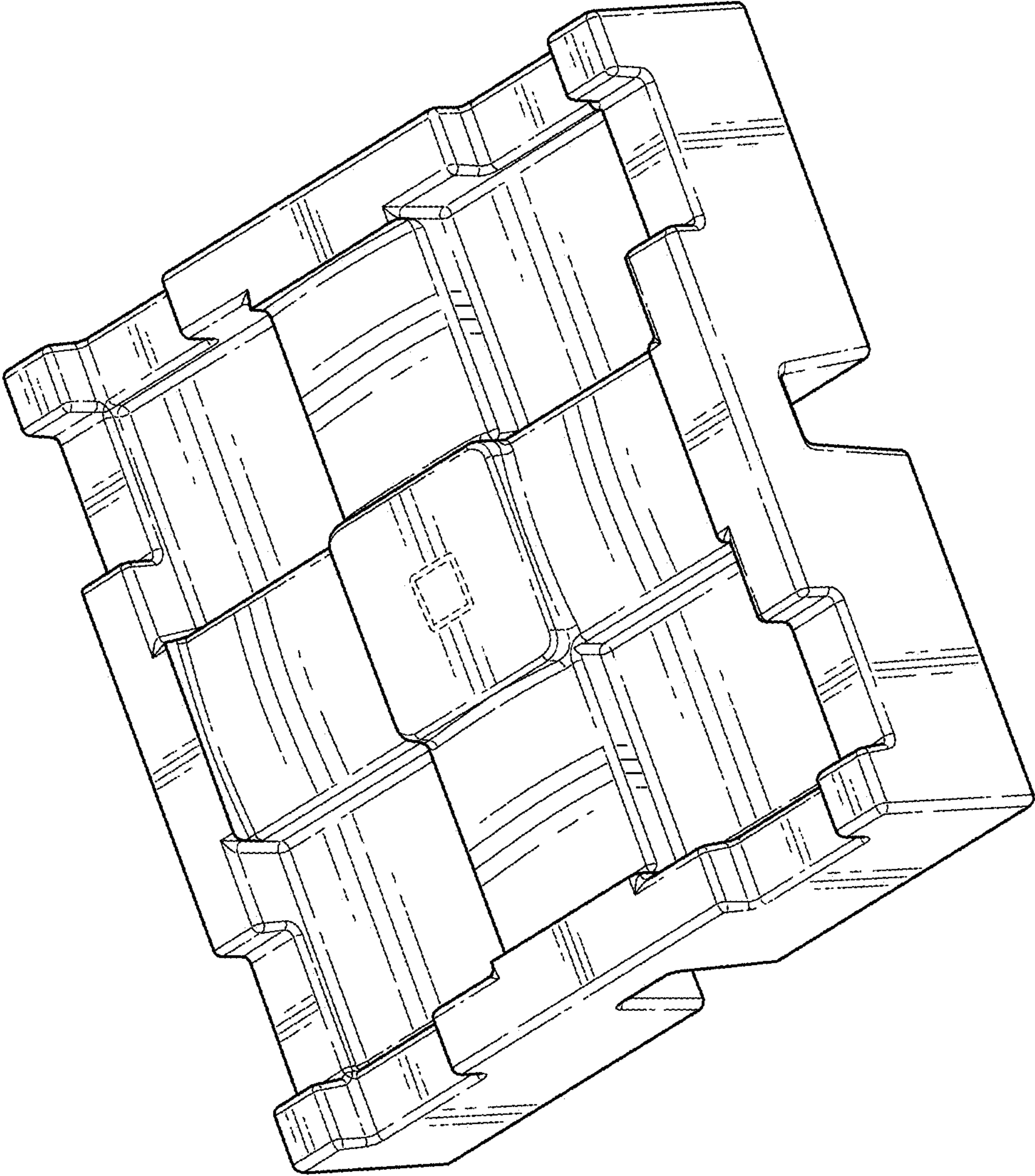


FIG. 2

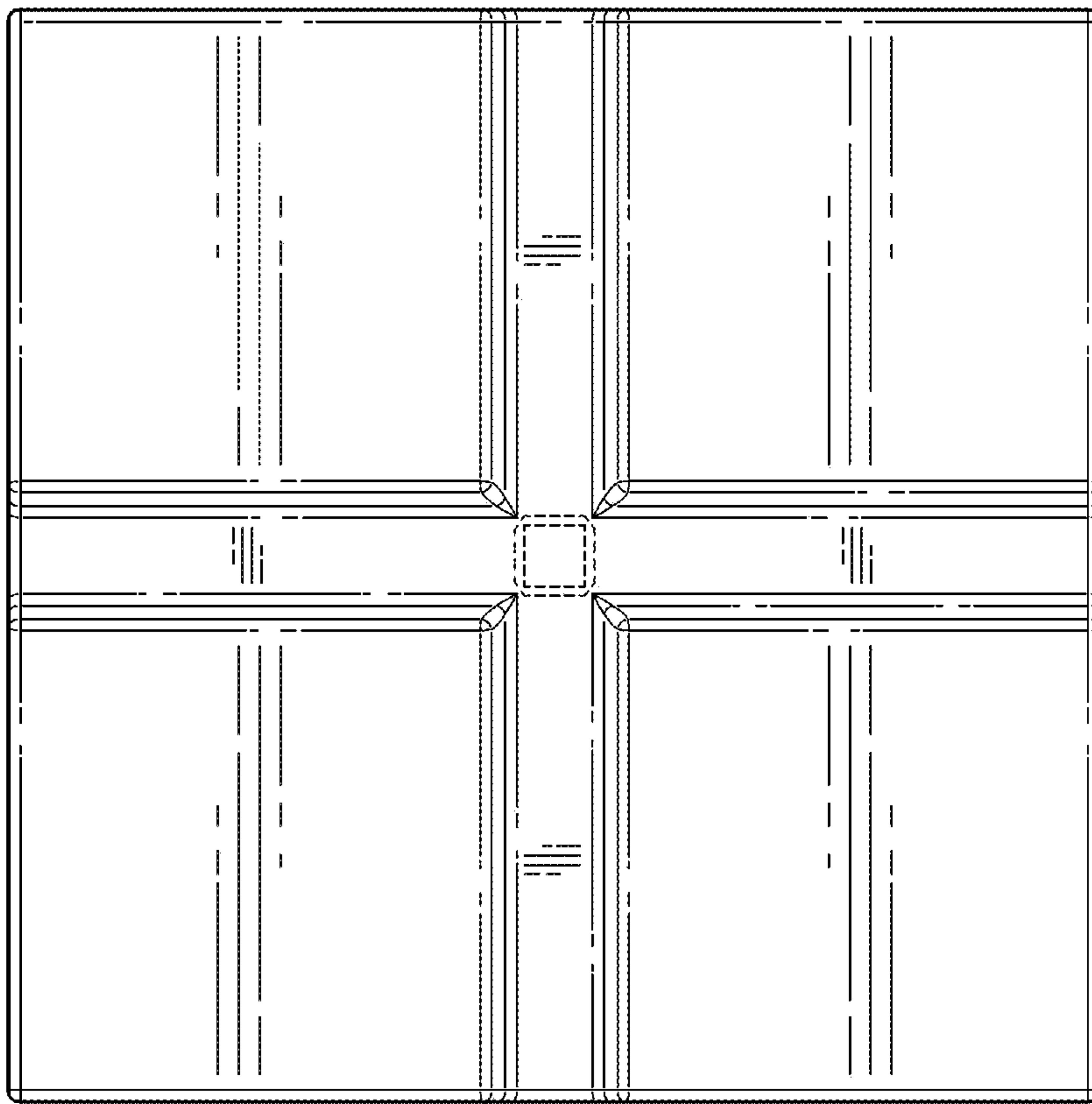


FIG. 3

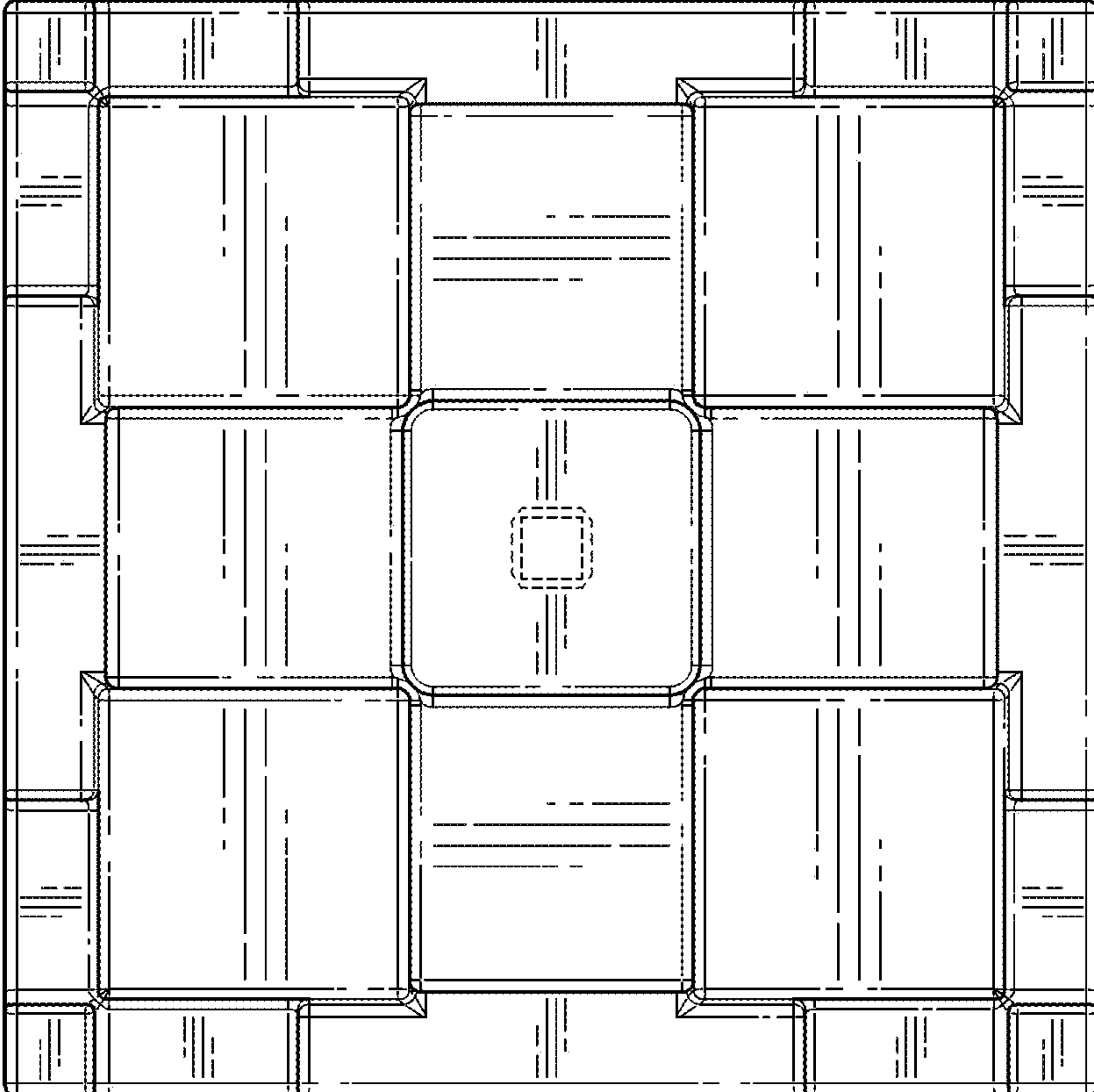


FIG. 4

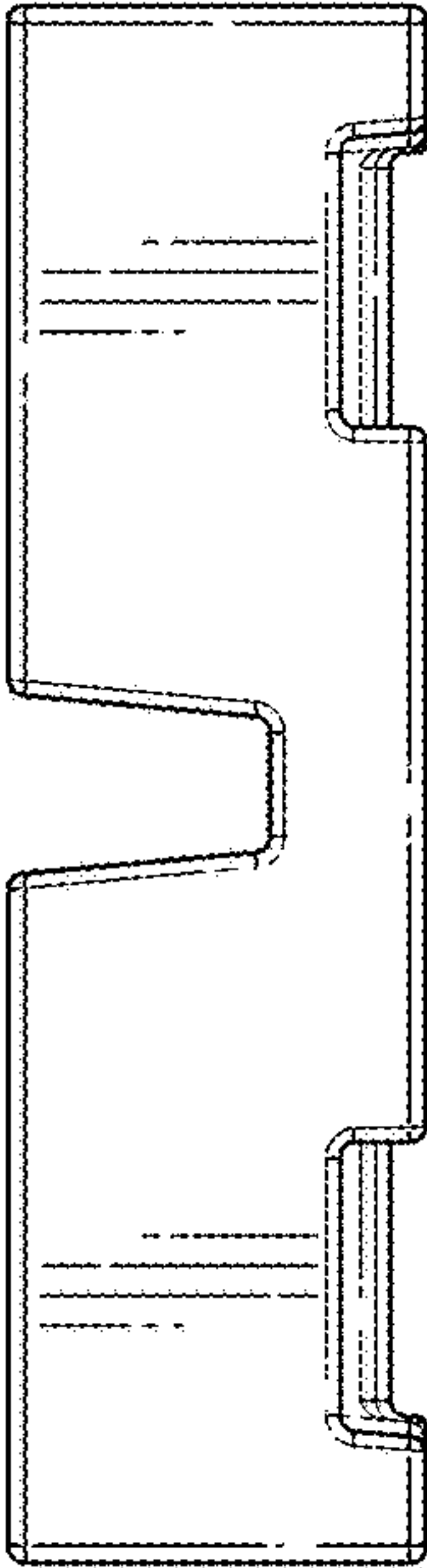


FIG. 5