



US00D812779S

(12) **United States Design Patent**
Bonk

(10) **Patent No.:** **US D812,779 S**
(45) **Date of Patent:** **** Mar. 13, 2018**

(54) **VEHICLE PARKING-ASSIST CURB**
(71) Applicant: **Solutions Defined, LLC**, Bloomfield Hills, MI (US)
(72) Inventor: **Jon Craig Bonk**, Bloomfield Hills, MI (US)
(73) Assignee: **Solutions Defined, LLC**, Bloomfield Hills, MI (US)

3,209,662 A 10/1965 Morton
3,698,290 A 10/1972 Wallace
3,810,530 A * 5/1974 Jay B60T 3/00
188/32
D240,725 S * 7/1976 Dillon D25/122
4,142,814 A 3/1979 Sanchez
4,186,823 A * 2/1980 White, Jr. B60T 3/00
188/32

(Continued)

(**) Term: **15 Years**
(21) Appl. No.: **29/570,631**
(22) Filed: **Jul. 11, 2016**

FOREIGN PATENT DOCUMENTS

CA 94666 * 2/2002
KR 300486889.0000 * 4/2008

OTHER PUBLICATIONS

<https://boardgamegeek.com/thread/880091/new-game-parts-available-game-crafter-trivial-purs> Posted Nov. 5, 2012.*

Related U.S. Application Data

(63) Continuation of application No. 14/549,650, filed on Nov. 21, 2014, now abandoned.
(51) **LOC (11) Cl.** **12-06**
(52) **U.S. Cl.**
USPC **D25/102**; D12/217
(58) **Field of Classification Search**
USPC D12/114, 120, 217; D25/102, 113, 119, D25/120, 121, 126, 136, 164
CPC B60T 3/00; B64F 1/16; B60P 3/077; E01F 9/588
See application file for complete search history.

Primary Examiner — Susan Bennett Hattan
Assistant Examiner — Leanne Was-Englehart
(74) *Attorney, Agent, or Firm* — Reising Ethington P.C.

CLAIM

(57) The ornamental design for a vehicle parking-assist curb, as shown and described.

DESCRIPTION

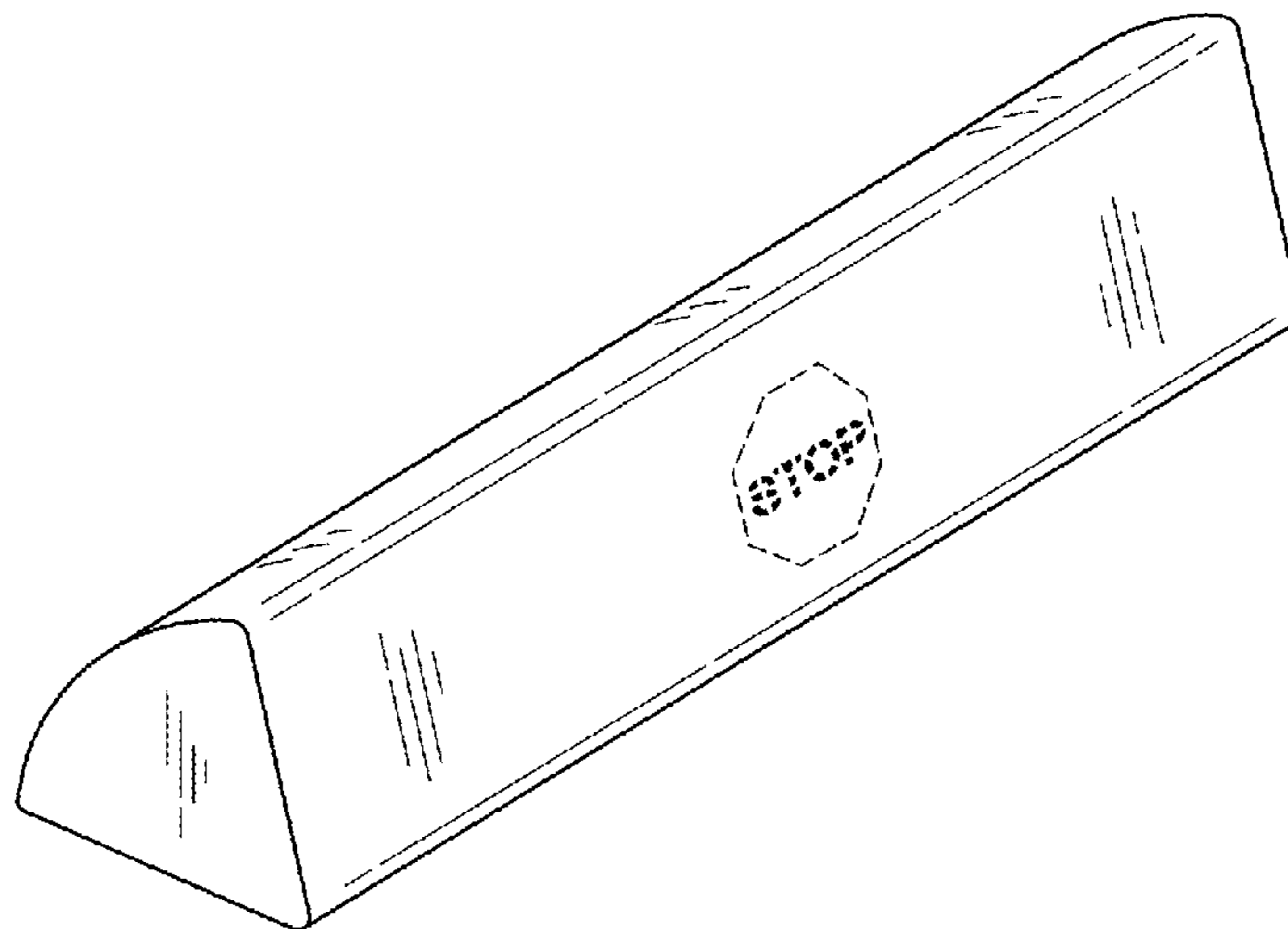
FIG. 1 is a perspective view of the vehicle parking-assist curb;
FIG. 2 is a front view of the vehicle parking-assist curb;
FIG. 3 is a rear view of the vehicle parking-assist curb;
FIG. 4 is a left side view of the vehicle parking-assist curb (where the right side view is a mirror image of the left side view);
FIG. 5 is a top view of the vehicle parking-assist curb; and,
FIG. 6 is a bottom view of the vehicle parking-assist curb.
The broken lines depict portions of the vehicle parking-assist curb that form no part of the claimed design.

References Cited

U.S. PATENT DOCUMENTS

1,696,247 A 12/1928 McManama
2,725,958 A * 12/1955 Porter B60T 3/00
404/6
2,882,689 A * 4/1959 Huch E02B 3/14
405/284
2,927,513 A 3/1960 Dove
2,935,162 A 5/1960 Lindsay
3,065,680 A 11/1962 Wiedman, Sr.

1 Claim, 2 Drawing Sheets



(56)

References Cited

U.S. PATENT DOCUMENTS

4,348,133	A	9/1982	Trent et al.				
4,594,021	A	6/1986	Schafer et al.				
4,762,438	A *	8/1988	Dewing	E01F 9/588			
					404/6		
5,028,463	A *	7/1991	Cahill	B29C 70/70			
					264/263		
D387,181	S *	12/1997	Sinclair	D25/102			
D393,320	S *	4/1998	Sinclair	D25/102			
5,819,984	A	10/1998	Krueger				
D404,001	S *	1/1999	Henry	D12/217			
D406,718	S *	3/1999	Jacobs	D21/686			
D407,059	S *	3/1999	Henry	D12/217			
D410,887	S *	6/1999	Henry	D12/217			
D412,481	S *	8/1999	Henry	D12/217			
D415,463	S *	10/1999	Henry	D12/217			
D418,167	S *	12/1999	Stutsman	D20/10			
D420,928	S *	2/2000	Spiller	D10/113.3			
D426,000	S *	5/2000	Jonasz	D25/102			
6,059,491	A	5/2000	Striefel				
D458,177	S *	6/2002	Spiller	D10/113.3			
D460,013	S *	7/2002	Spiller	D10/113.3			
D461,138	S *	8/2002	Spiller	D10/113.3			
D463,868	S *	10/2002	Foster	D25/164			
6,481,921	B1 *	11/2002	Fenimore	E01F 9/588			
					404/7		
D482,128	S *	11/2003	Krueger	D25/126			
6,681,901	B2 *	1/2004	Agtuca	B60T 3/00			
					188/32		
6,692,182	B1 *	2/2004	Fenimore	E01F 15/083			
					404/7		
6,964,125	B2	11/2005	Harris				
D512,950	S *	12/2005	Kondo	D12/217			
D543,926	S *	6/2007	Kutzler	D12/217			
7,547,157	B2	6/2009	Yodock, III et al.				
D625,677	S *	10/2010	Robbins, Sr.	D12/217			
7,997,823	B2 *	8/2011	Meyers	E01F 15/003			
					404/6		
D656,648	S *	3/2012	Tompkin	D26/46			
D664,947	S *	8/2012	Choi	D14/218			
D756,593	S *	5/2016	Smith	D1/199			
2008/0264734	A1	10/2008	Walter				
2015/0144436	A1 *	5/2015	Bonk	B64F 1/16			
					188/32		

* cited by examiner

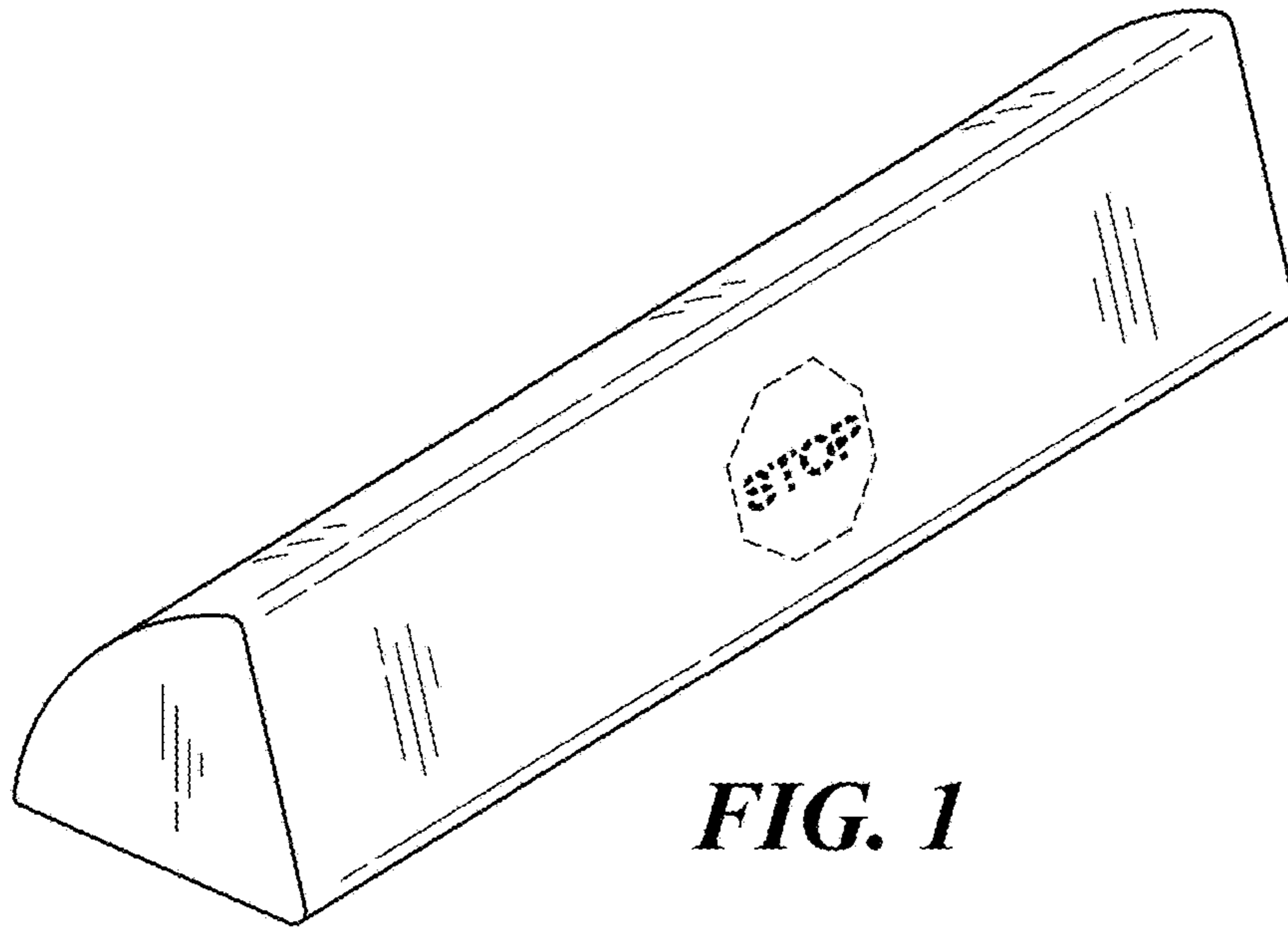


FIG. 1

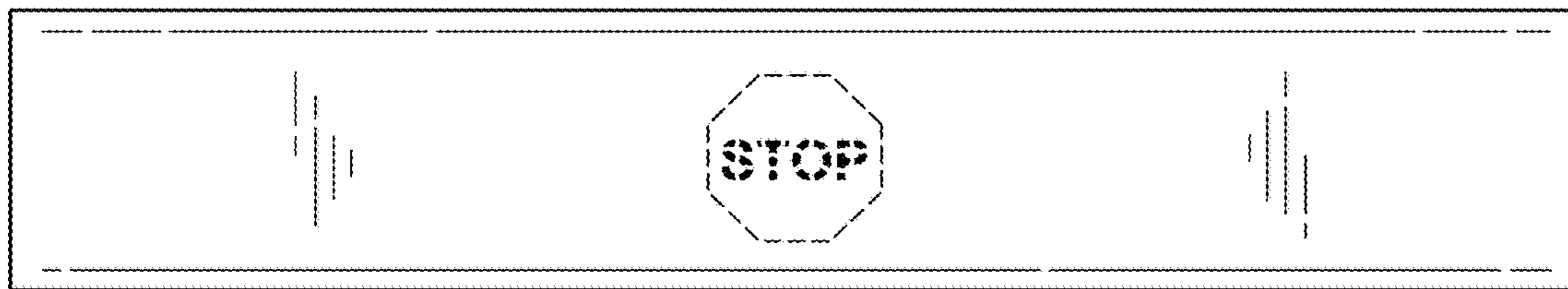


FIG. 2

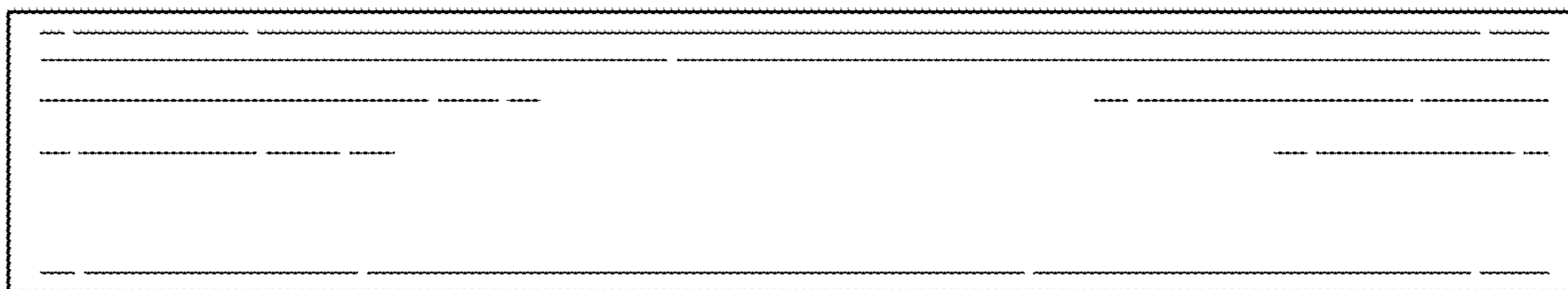


FIG. 3

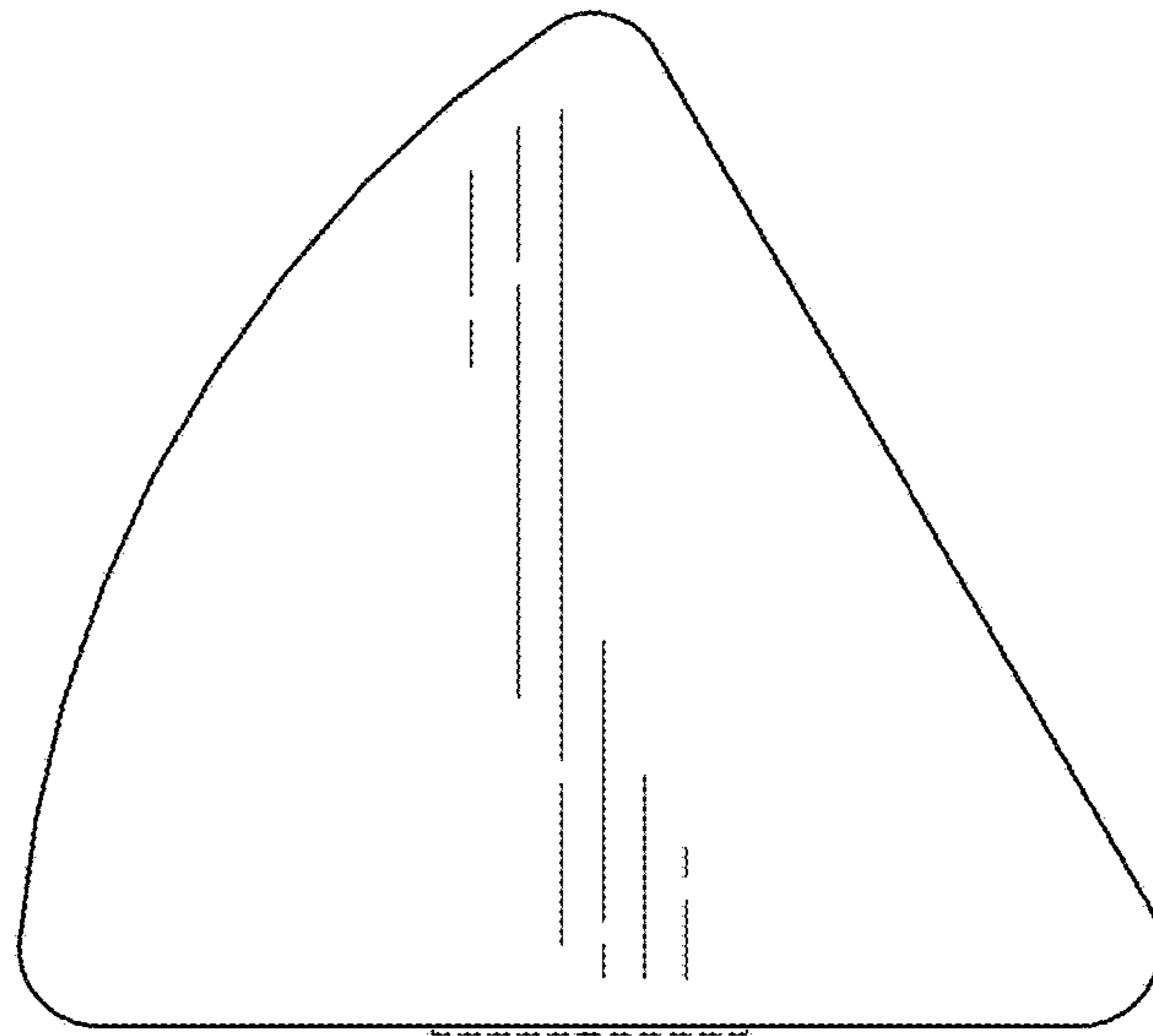


FIG. 4

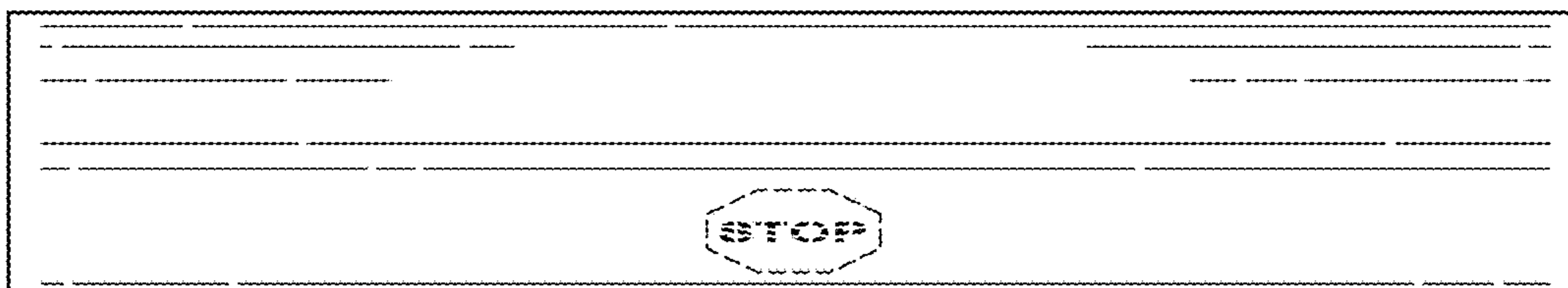


FIG. 5

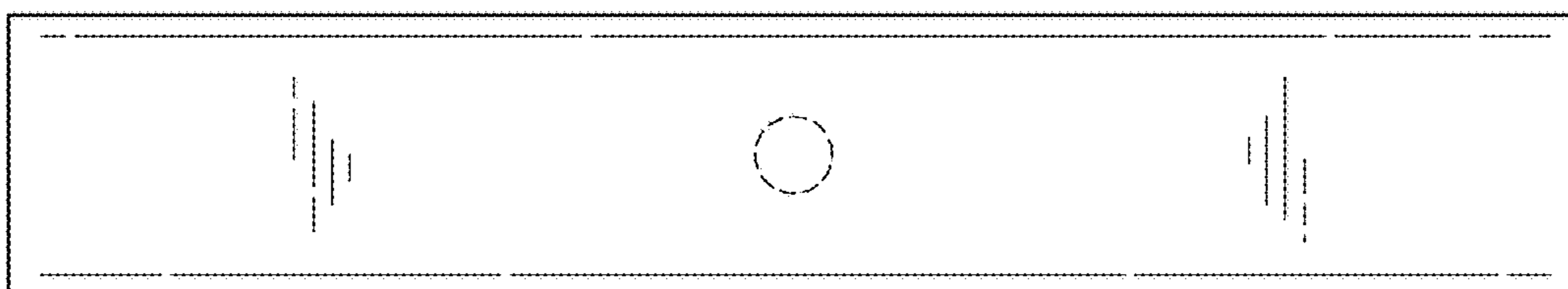


FIG. 6