



US00D812778S

(12) **United States Design Patent**
Brown

(10) **Patent No.:** **US D812,778 S**
(45) **Date of Patent:** **** Mar. 13, 2018**

(54) **ROOFTOP LADDER BRACE**
(71) Applicant: **Terry G. Brown**, Fort Valley, GA (US)
(72) Inventor: **Terry G. Brown**, Fort Valley, GA (US)
(**) Term: **15 Years**

6,513,625 B1 * 2/2003 Gaskins E04D 15/00
182/107
7,556,125 B1 * 7/2009 Blehm E06C 7/488
182/107
8,511,036 B2 * 8/2013 O'Donnell E04G 5/041
248/237
D757,302 S * 5/2016 Copp D25/68
2008/0006481 A1 * 1/2008 Vieira E04G 3/26
182/45

(21) Appl. No.: **29/602,854**

* cited by examiner

(22) Filed: **May 4, 2017**

(51) **LOC (11) Cl.** **25-04**

Primary Examiner — Cynthia Ramirez

(52) **U.S. Cl.**

Assistant Examiner — Gino Colan

USPC **D25/68**

(74) *Attorney, Agent, or Firm* — Smith Tempel Blaha
LLC; Matthew T. Hoots

(58) **Field of Classification Search**

USPC D25/62–69; 182/153, 225, 206, 216,
182/228.3, 25, 186.3, 155, 45, 107, 220,
182/120; 248/440, 229.13, 211, 215,
248/225.21, 301, 237, 547; 211/124;
D8/373, 380

(57) **CLAIM**

The ornamental design for a rooftop ladder brace, as shown
and described.

CPC ... B25H 1/06; E06C 7/423; E06C 7/10; E06C
7/46; E06C 1/345; E06C 7/083; E06C
7/14; E06C 7/482; E06C 7/488; E06C
1/16; E06C 7/44; E06C 7/486; E04D
15/00

DESCRIPTION

See application file for complete search history.

FIG. 1 is a top and front and left-side perspective view of a
rooftop ladder brace showing my new design;
FIG. 2 is another top and front and left-side perspective view
thereof;
FIG. 3 is a top view thereof;
FIG. 4 is a bottom view thereof;
FIG. 5 is a right-side view thereof, the left-side view being
a mirror image of FIG. 5;
FIG. 6 is a front view thereof; and,
FIG. 7 is a rear view thereof.

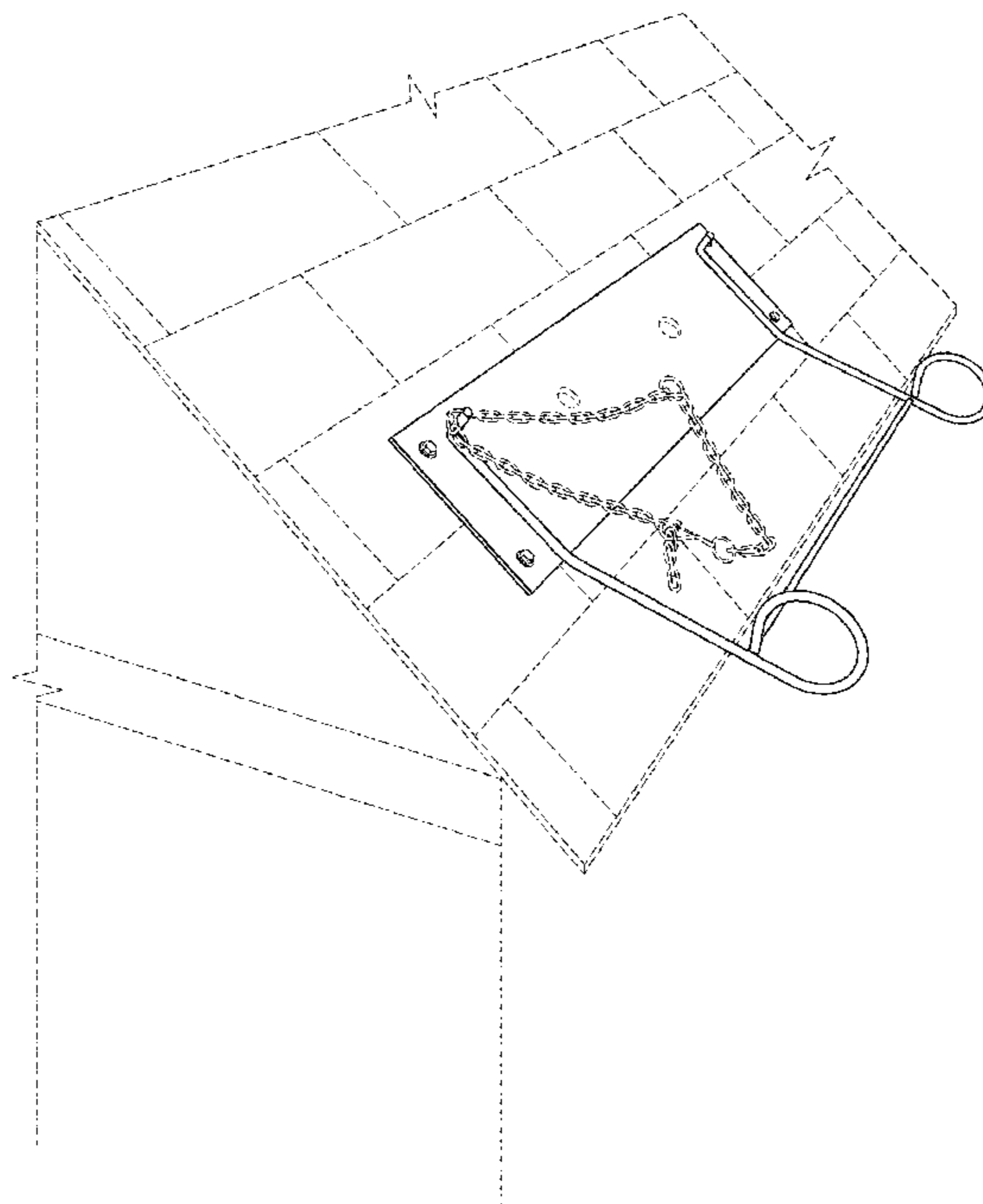
The broken lines in the drawings of the rooftop ladder brace
depict environmental subject matter and form no part of the
claimed design.

(56) **References Cited**

U.S. PATENT DOCUMENTS

4,678,061 A * 7/1987 Jordan E06C 1/345
182/107
4,880,200 A * 11/1989 Champagne E06C 1/36
182/206
6,045,102 A * 4/2000 Terenzoni E04D 15/00
182/107

1 Claim, 6 Drawing Sheets



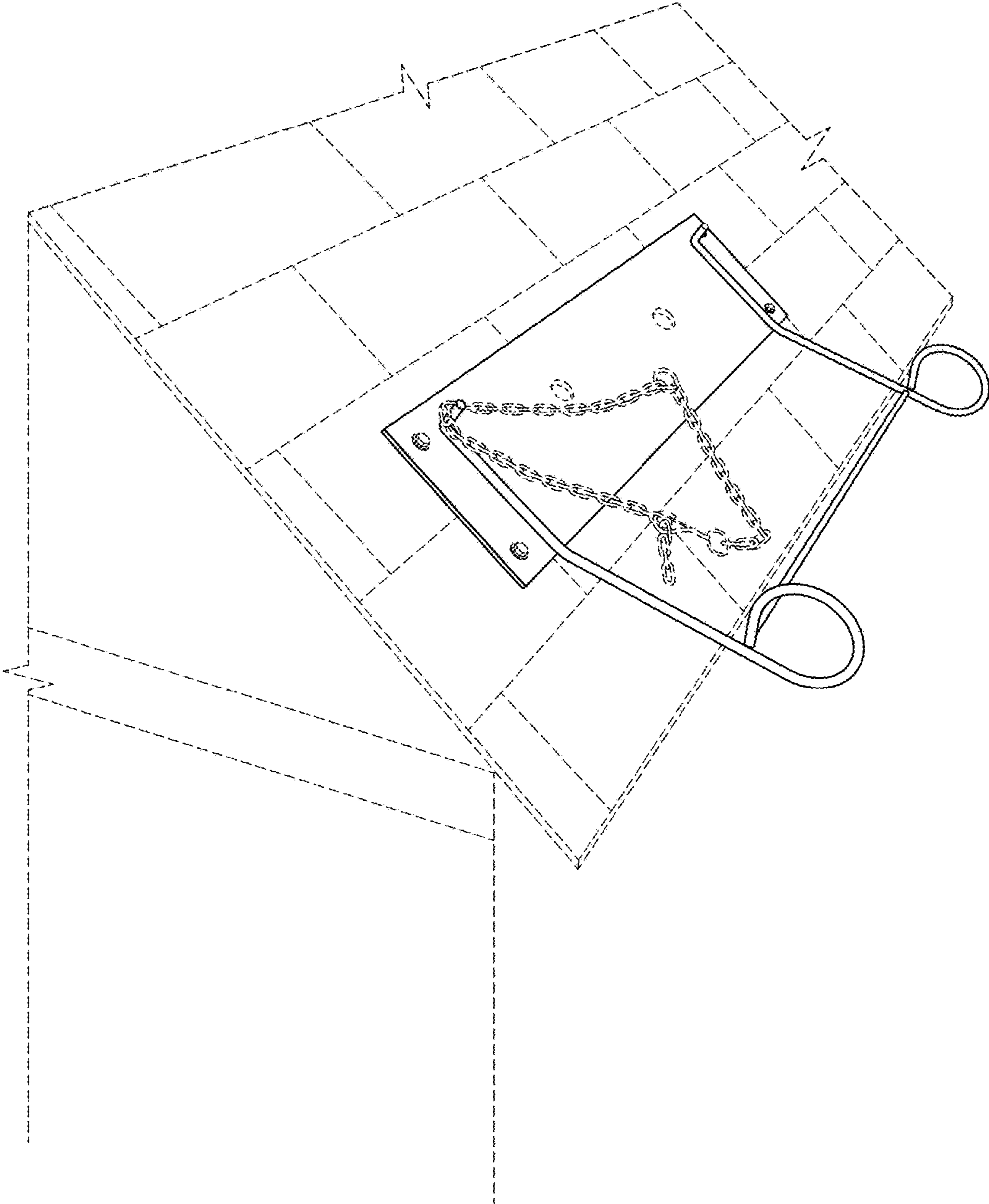


FIG. 1

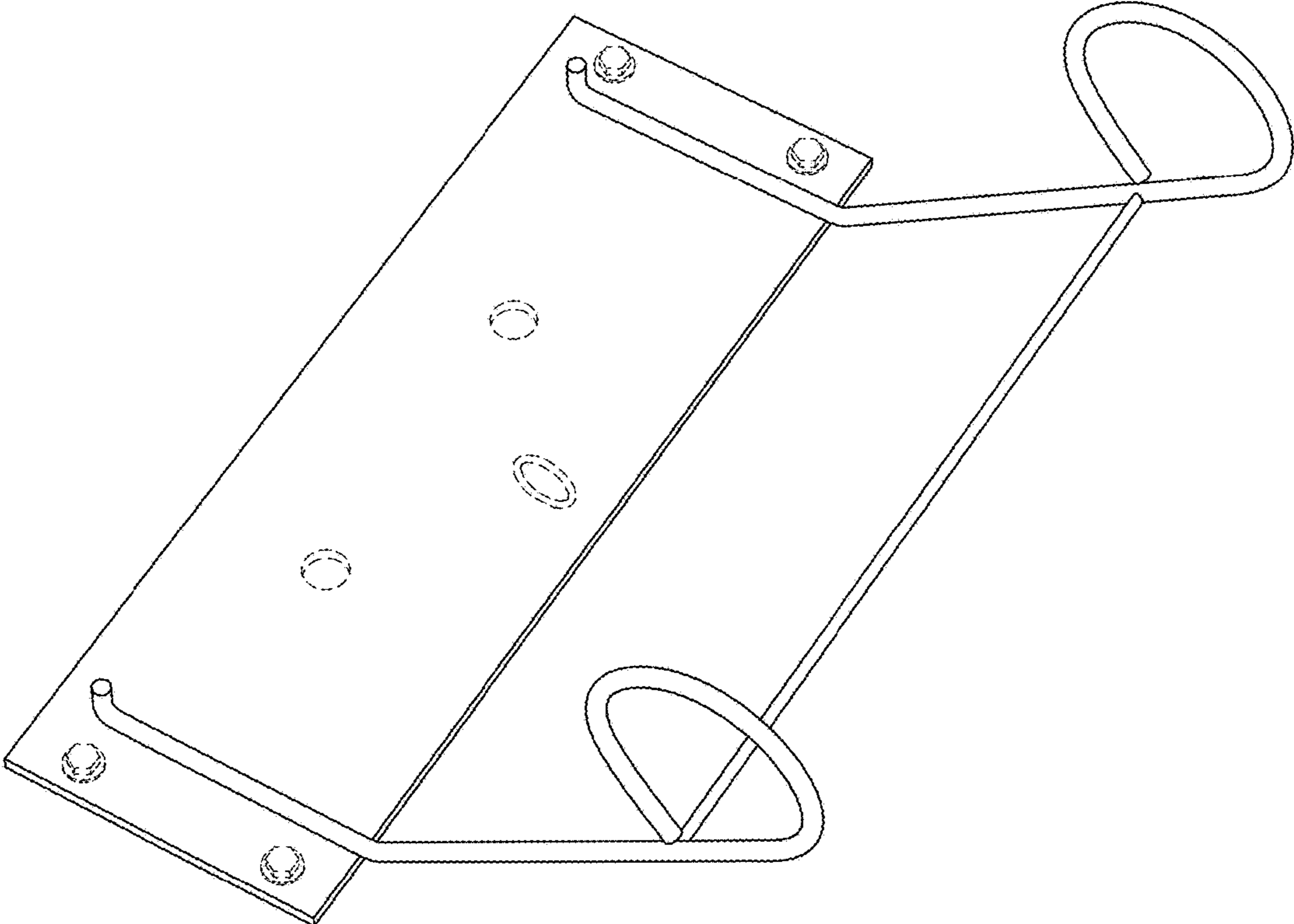


FIG. 2

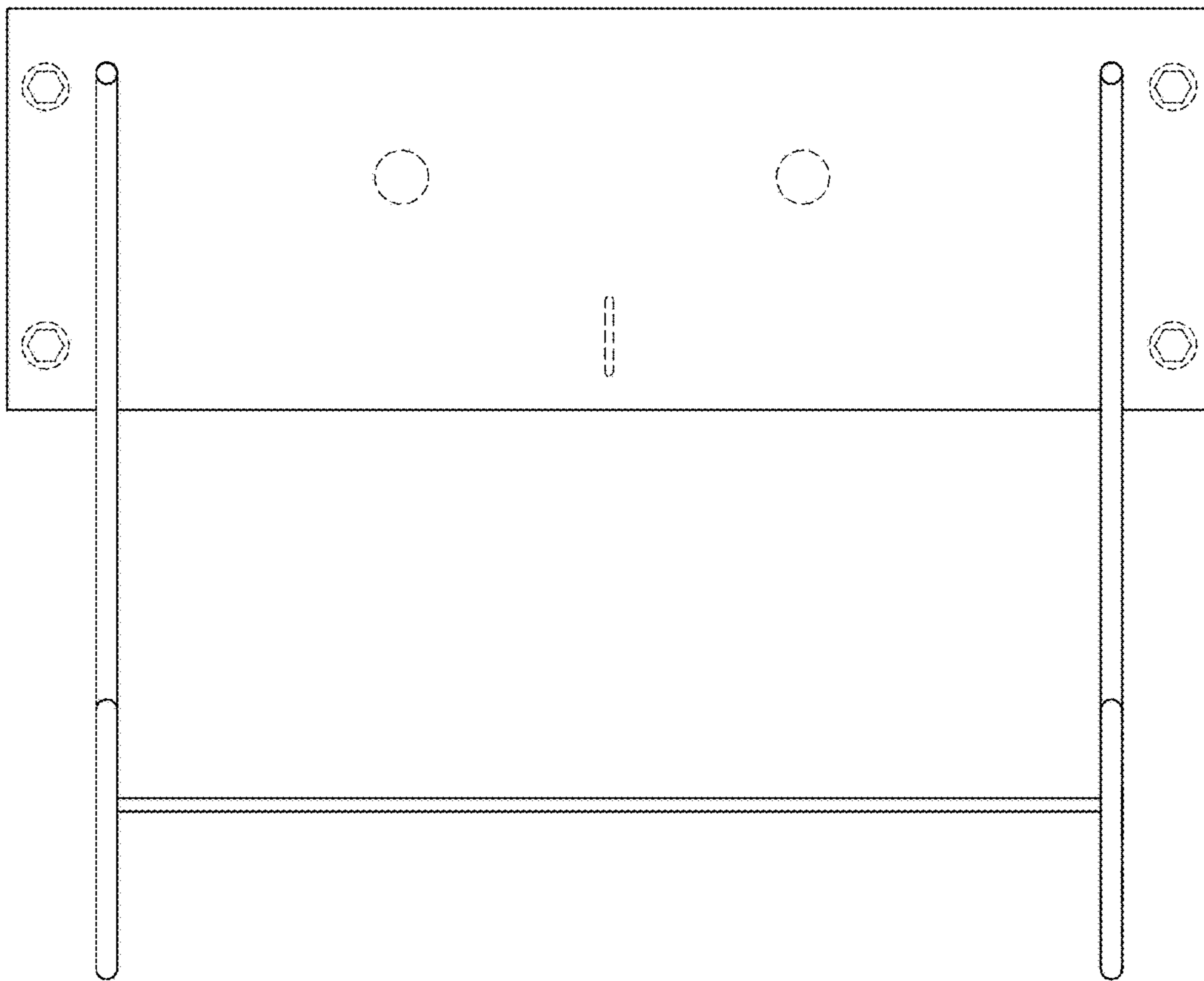


FIG. 3

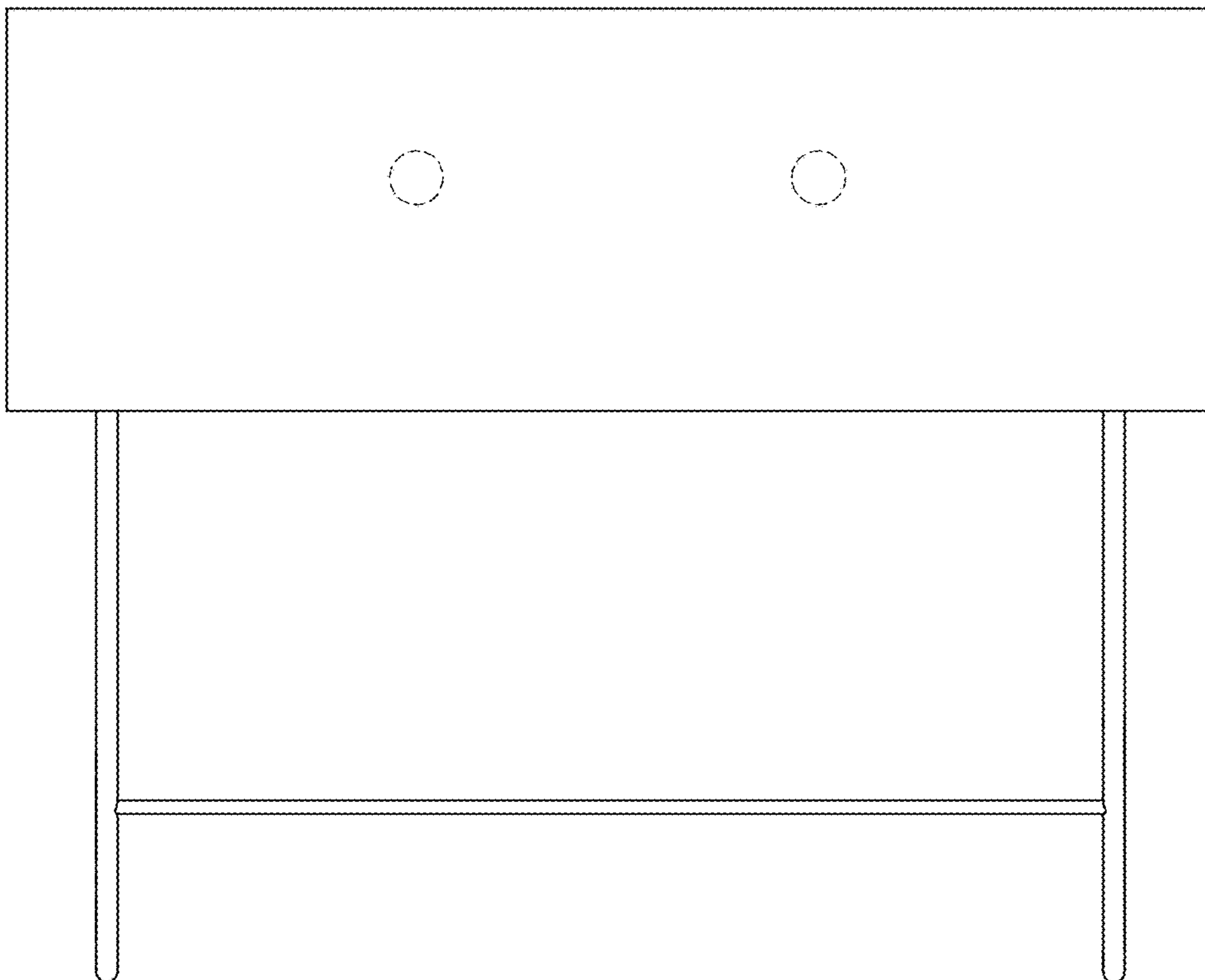


FIG. 4

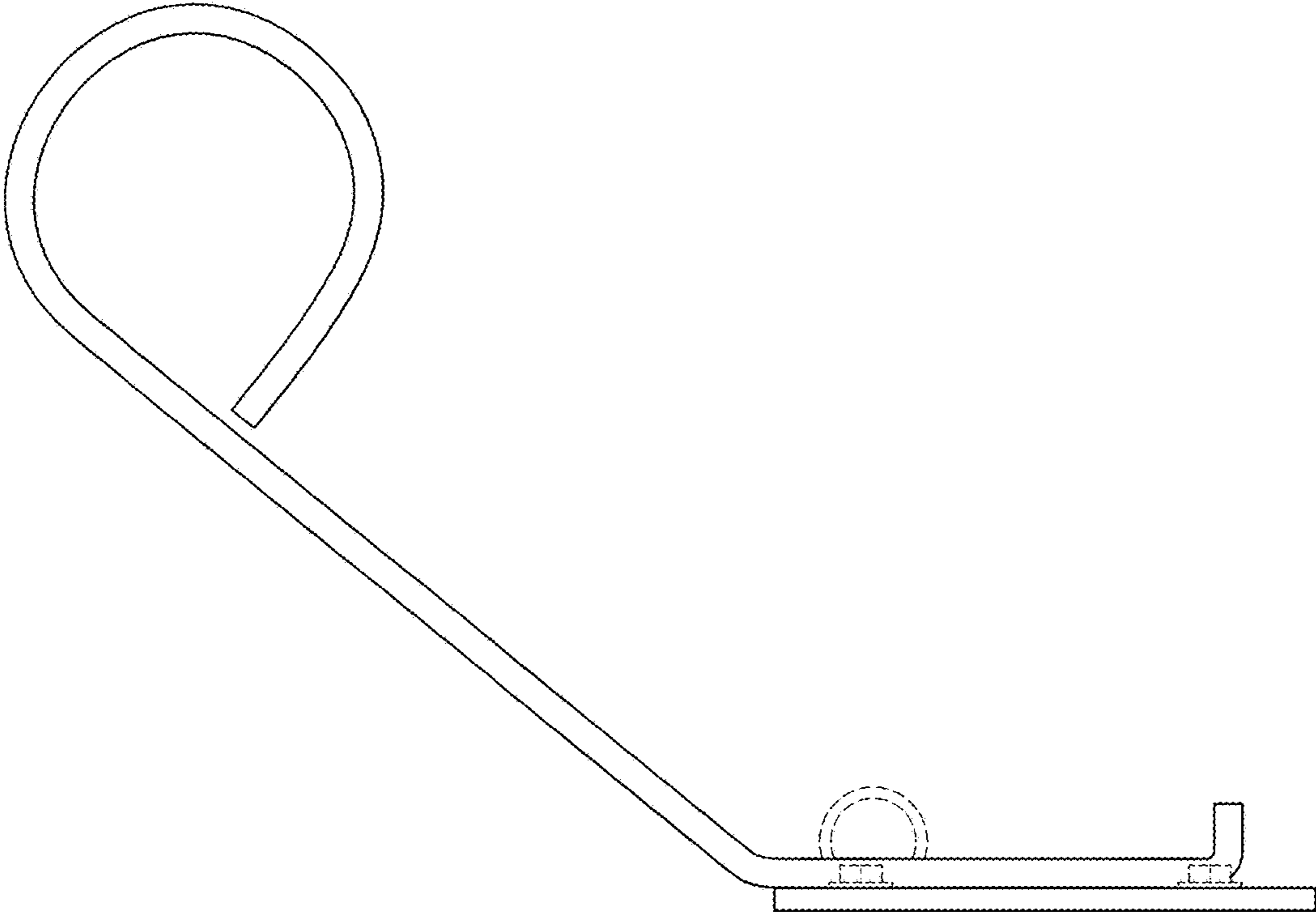


FIG. 5

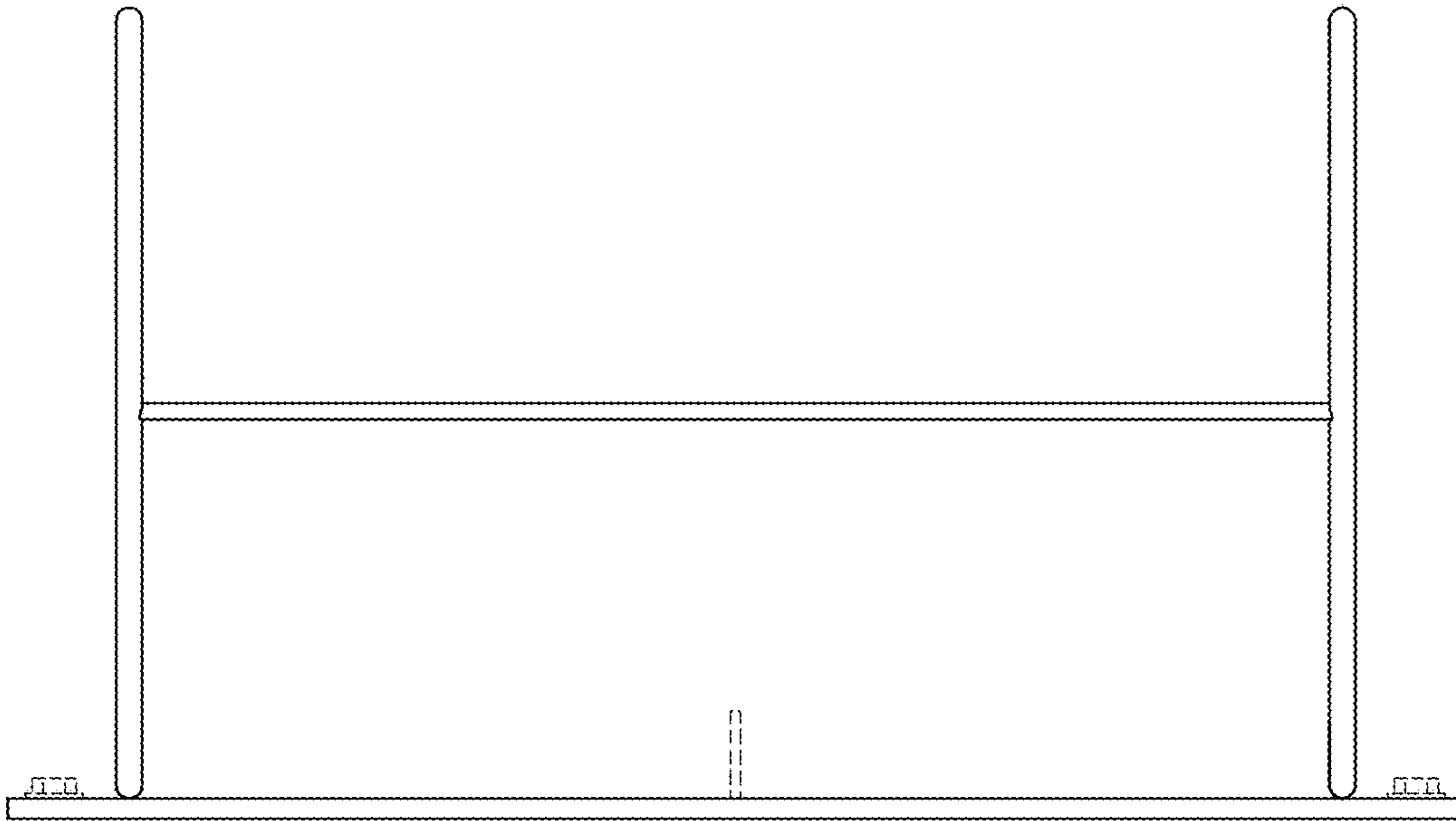


FIG. 6

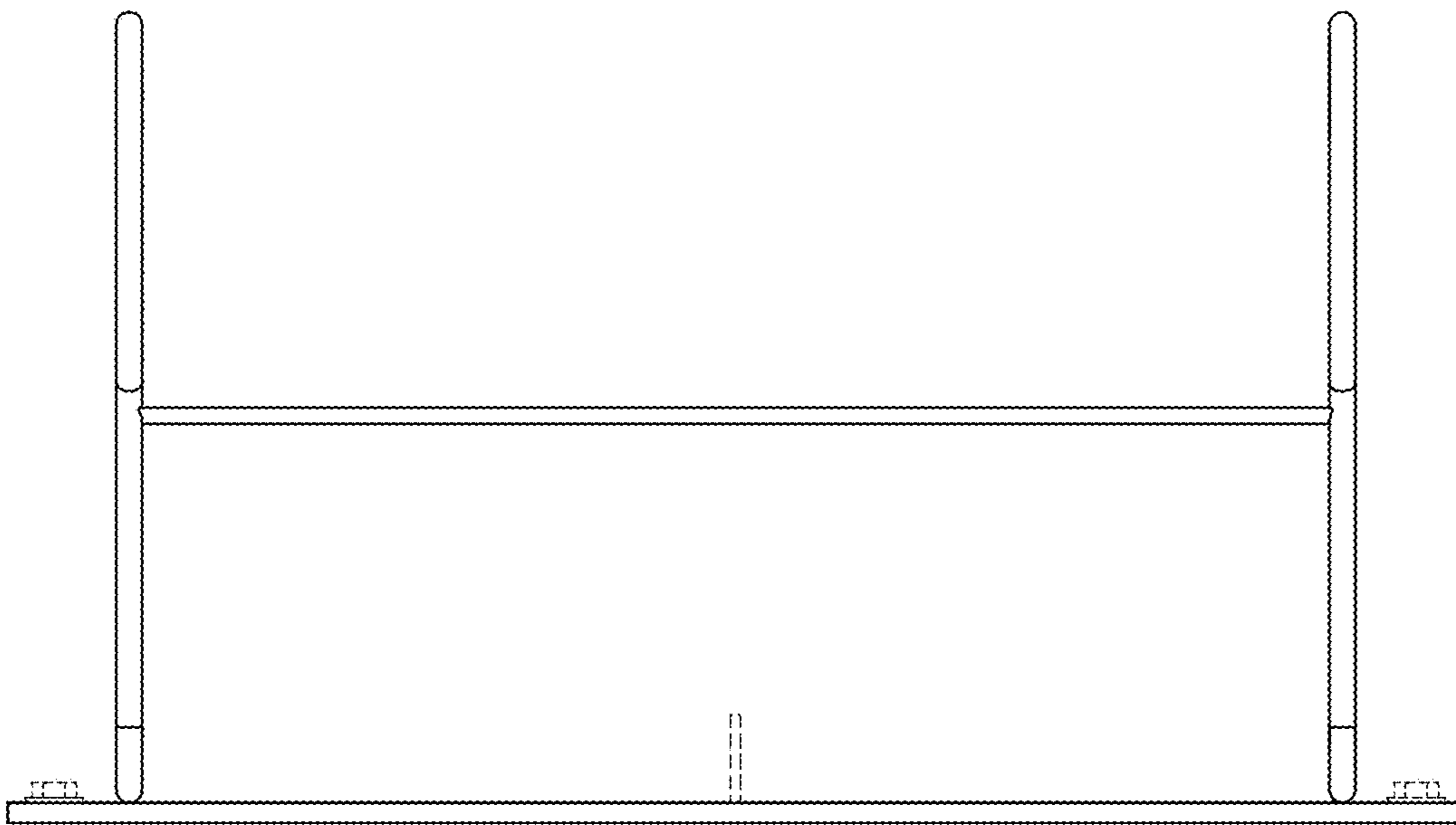


FIG. 7