



US00D812777S

(12) **United States Design Patent**
Ma et al.

(10) **Patent No.:** **US D812,777 S**
(45) **Date of Patent:** **** Mar. 13, 2018**

(54) **LADDER**

(71) Applicant: **Volvo Lastvagnar AB**, Göteborg (SE)

(72) Inventors: **Philip Ma**, Northville, MI (US); **Brian Balicki**, Kernersville, NC (US)

(73) Assignee: **Volvo Lastvagnar AB**, Göteborg (SE)

(**) Term: **15 Years**

(21) Appl. No.: **29/600,046**

(22) Filed: **Apr. 10, 2017**

(51) **LOC (11) Cl.** **25-04**

(52) **U.S. Cl.**
USPC **D25/64**

(58) **Field of Classification Search**
USPC D25/62, 63, 64, 68; D12/400, 412;
182/127, 194, 93, 64.1, 180.1, 115
CPC E06C 5/24; E06C 7/081; E06C 5/04
See application file for complete search history.

(56) **References Cited**

U.S. PATENT DOCUMENTS

4,492,286 A * 1/1985 Lemire E06C 5/02
182/127
D479,884 S * 9/2003 Berryman D25/64
D512,783 S * 12/2005 Badillo D25/64
8,322,490 B1 * 12/2012 Loemker E06C 5/24
182/127

D759,841 S * 6/2016 Badillo D25/64
D788,327 S * 5/2017 Click D25/64
2004/0069566 A1 * 4/2004 Bareket B60R 3/00
182/127
2017/0050571 A1 * 2/2017 Badillo B60R 3/005

OTHER PUBLICATIONS

Images of Volvo VNL Truck, released 2002, 2 pages.

* cited by examiner

Primary Examiner — Cynthia Ramirez

Assistant Examiner — Gino Colan

(74) *Attorney, Agent, or Firm* — Tucker Ellis LLP

(57) **CLAIM**

The ornamental design for a ladder, as shown and described.

DESCRIPTION

FIG. 1 is a perspective view of a ladder showing our new design.

FIG. 2 is a front view thereof.

FIG. 3 is a rear view thereof.

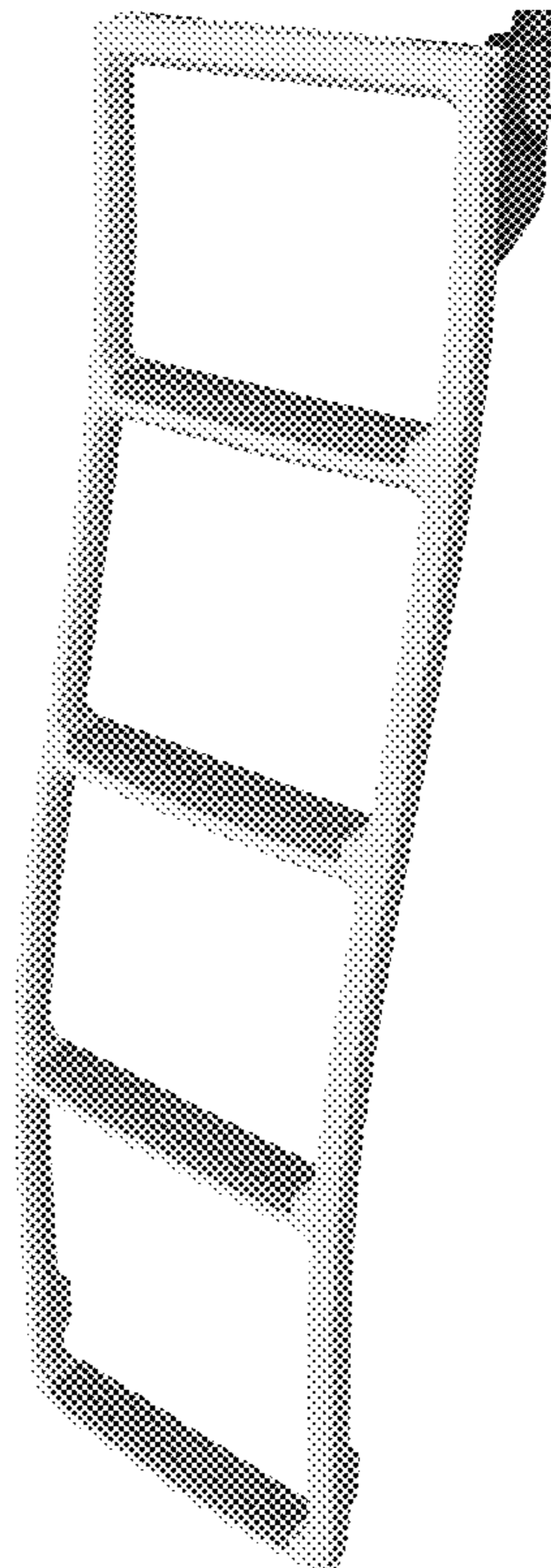
FIG. 4 is a left side view thereof.

FIG. 5 is a right side view thereof.

FIG. 6 is a top view thereof; and,

FIG. 7 is a bottom view thereof.

1 Claim, 6 Drawing Sheets



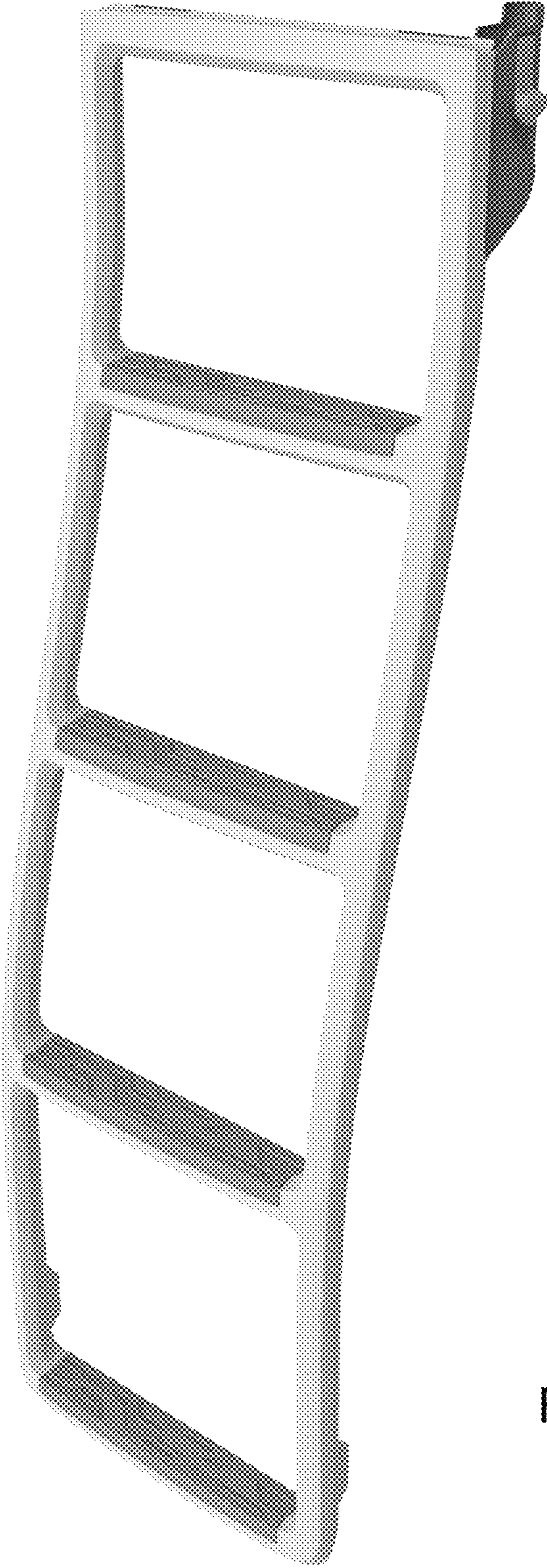


FIG. 1

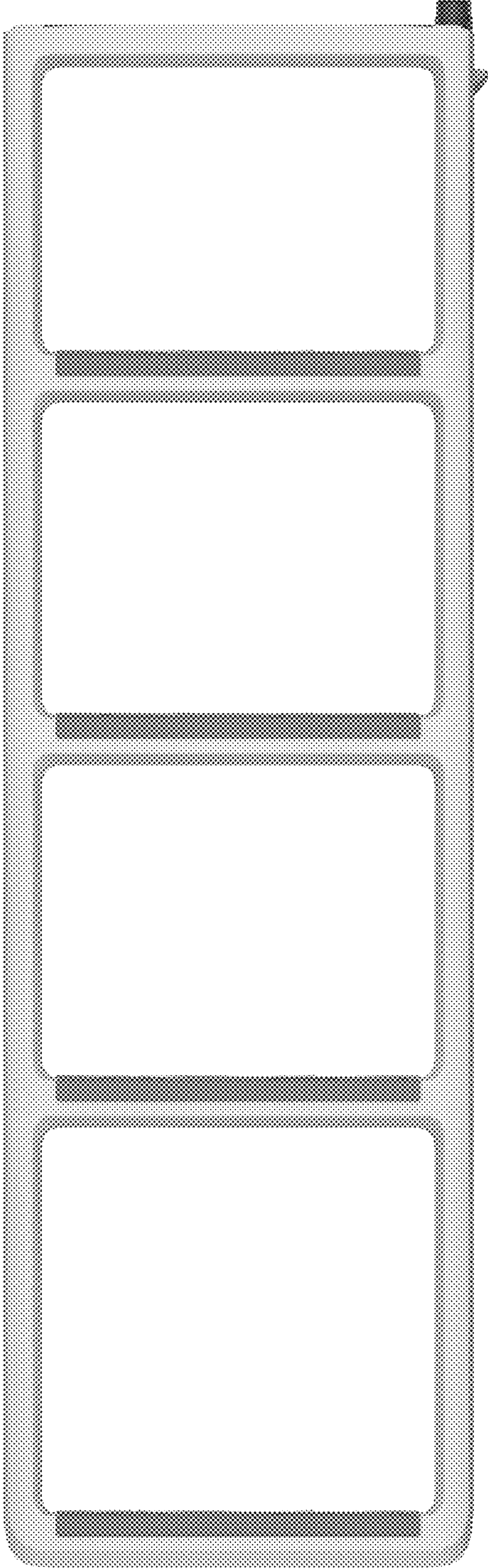


FIG. 2

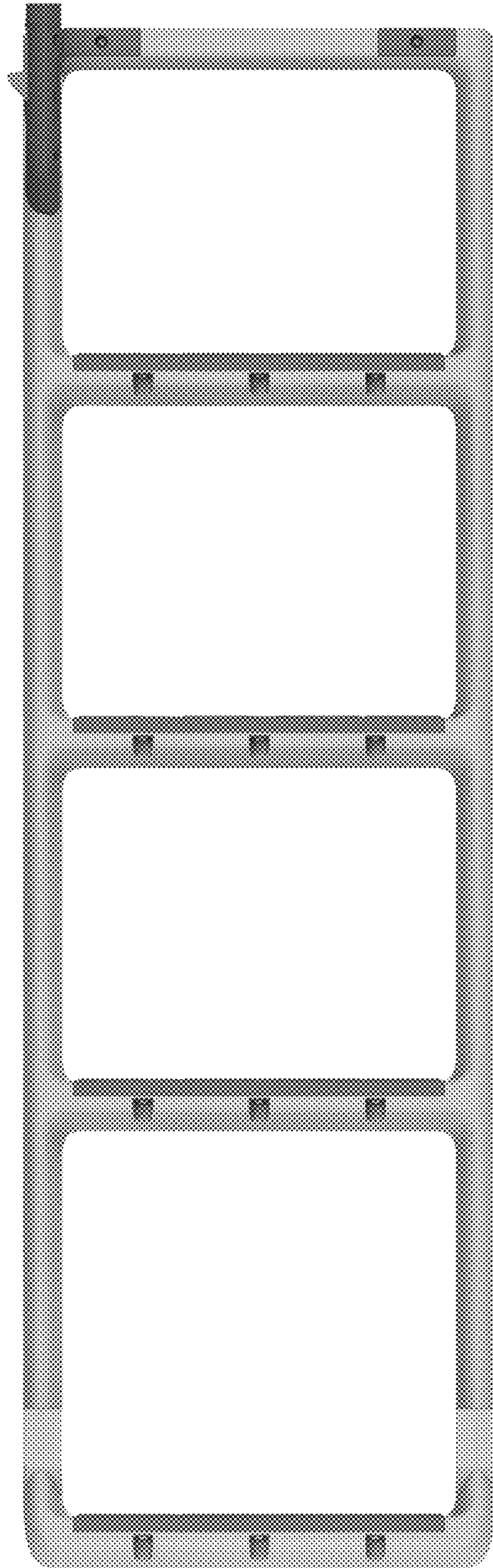


FIG. 3

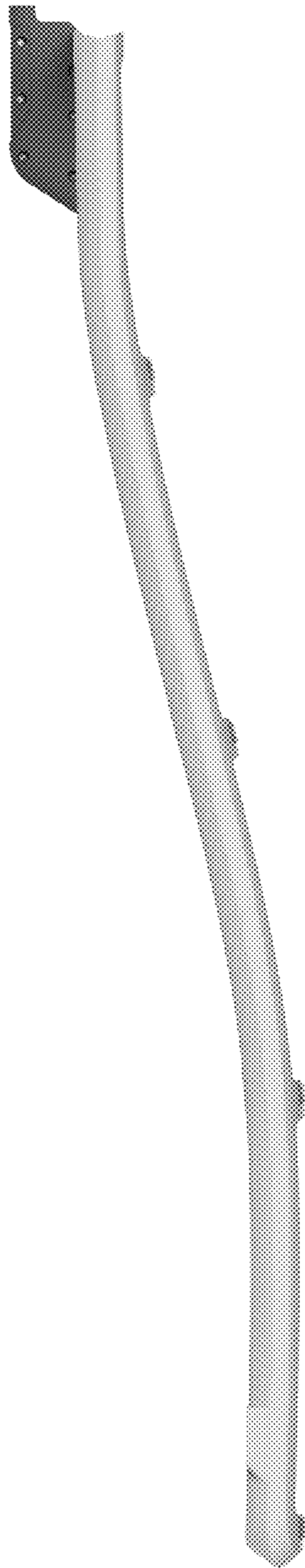


FIG. 4

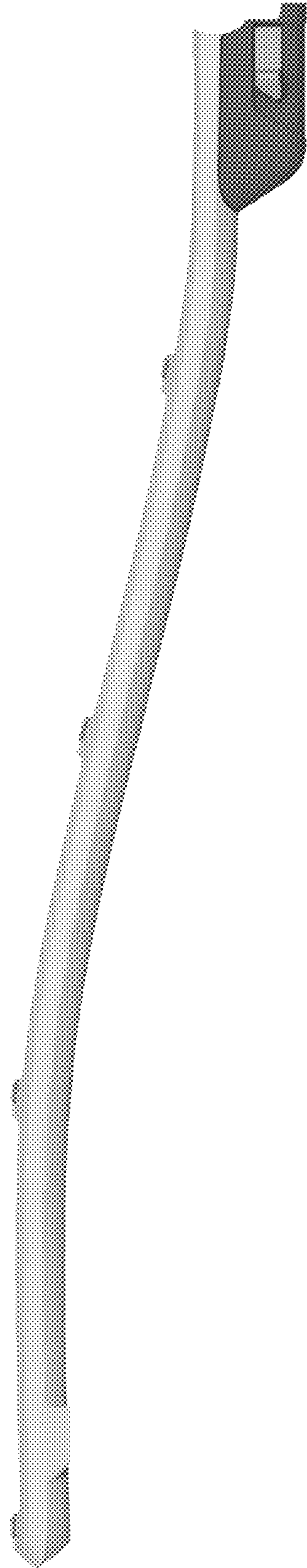


FIG. 5

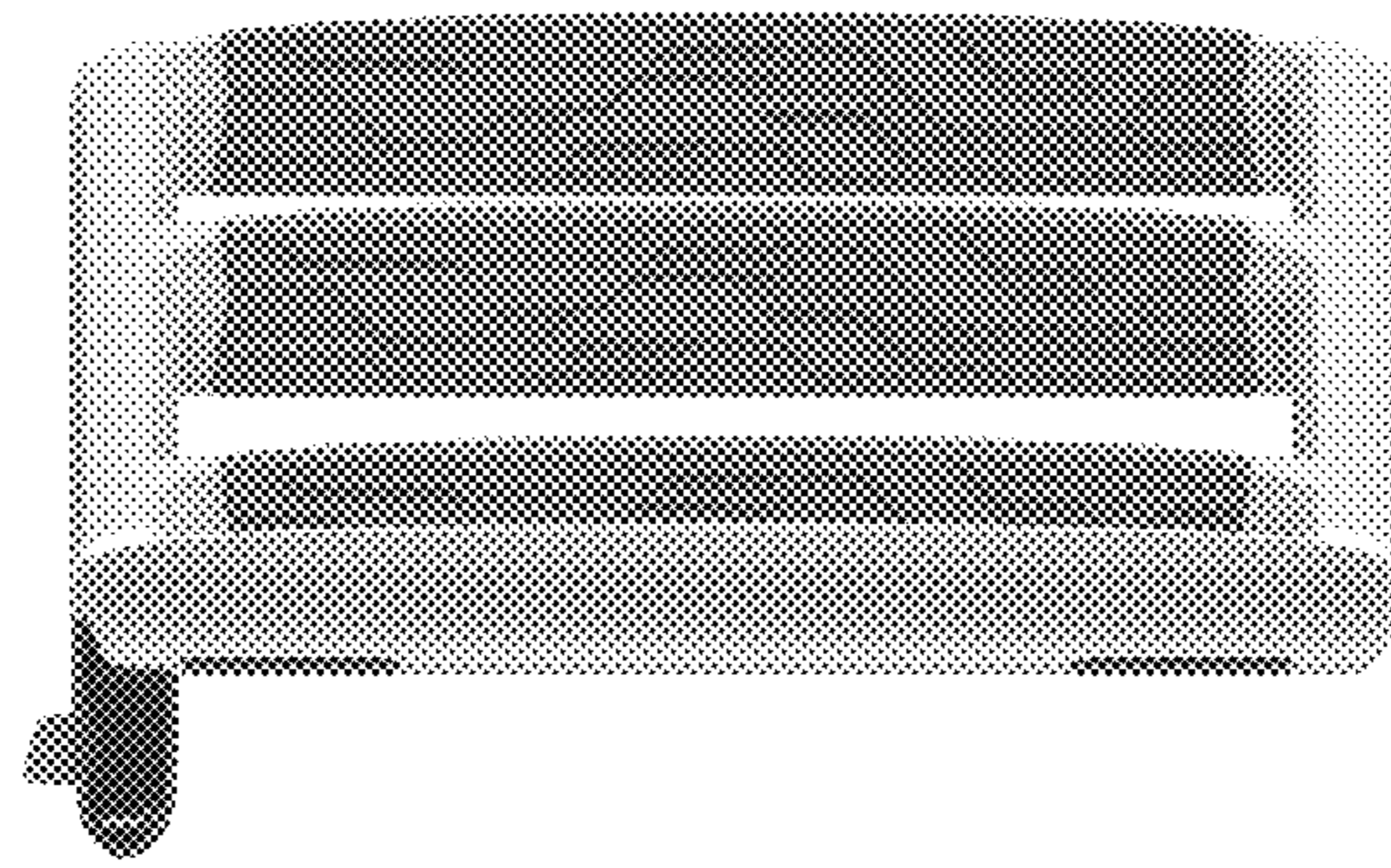


FIG. 6

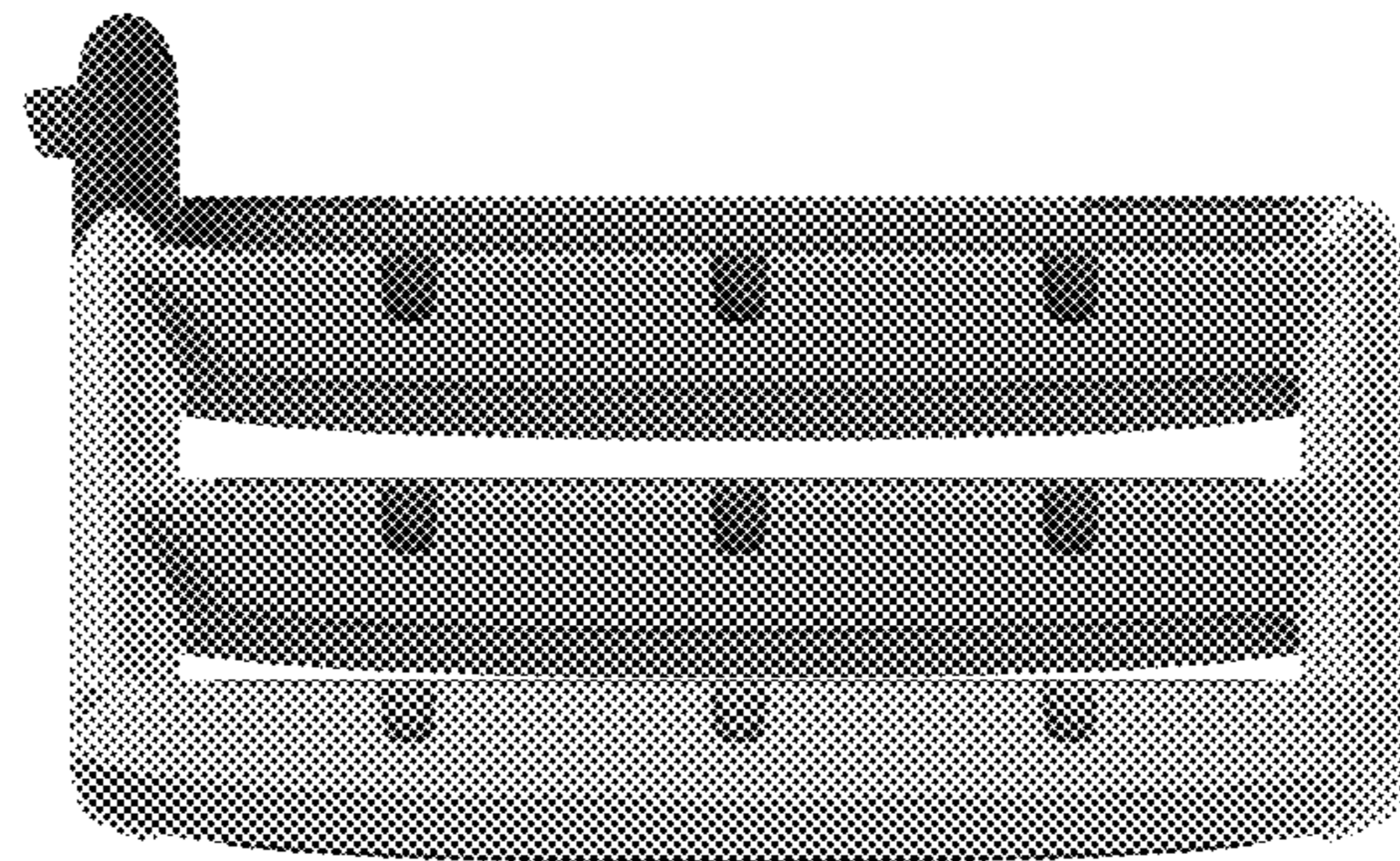


FIG. 7