



US00D812776S

(12) **United States Design Patent**  
**Nofziger**

(10) **Patent No.:** **US D812,776 S**  
(45) **Date of Patent:** **\*\* Mar. 13, 2018**

(54) **HORIZONTAL REINFORCEMENT BAR**  
(71) Applicant: **Edward L. Nofziger**, Archbold, OH  
(US)  
(72) Inventor: **Edward L. Nofziger**, Archbold, OH  
(US)

4,638,844 A 1/1987 Hayashiguchi  
4,934,439 A 6/1990 Martin  
4,987,941 A 1/1991 Wold  
5,445,207 A \* 8/1995 Romanelli ..... E05D 15/24  
160/209  
5,588,270 A 12/1996 Keating  
5,749,407 A 5/1998 Brenner et al.  
5,794,400 A 8/1998 Fisher et al.  
(Continued)

(\*\*) Term: **15 Years**

(21) Appl. No.: **29/559,044**

(22) Filed: **Mar. 24, 2016**

**Related U.S. Application Data**

(63) Continuation of application No. 13/899,966, filed on  
May 22, 2013, now abandoned.

(51) **LOC (11) Cl.** ..... **25-01**

(52) **U.S. Cl.**  
USPC ..... **D25/61**

(58) **Field of Classification Search**

USPC ..... D25/48.1-48.4, 55, 61, 119-126, 132,  
D25/136, 164; 52/18, 171.3, 173.3, 200,  
52/DIG. 17; 136/206, 230, 251;  
160/181, 201, 229.1, 236, 405  
CPC . E06B 3/485; E06B 3/488; E06B 9/42; E06B  
7/00; E05D 15/24; B60J 1/2038

See application file for complete search history.

(56) **References Cited**

**U.S. PATENT DOCUMENTS**

1,608,667 A 11/1926 Poetsch  
2,196,399 A 4/1940 Rubel  
2,678,689 A 5/1954 McKee et al.  
2,804,953 A 9/1957 Buehler  
3,424,223 A 1/1969 Rosenblatt  
3,443,625 A 5/1969 Moser et al.  
3,978,626 A \* 9/1976 Weinar ..... E04B 2/58  
249/215  
D245,019 S \* 7/1977 Ashworth ..... D25/131  
4,635,882 A 1/1987 SenGupta et al.

**OTHER PUBLICATIONS**

<https://www.automated-miami.com/wp-content/uploads/2016/07/2016-03-10-14.04.59.jpg> Available Mar. 10, 2016.\*

(Continued)

*Primary Examiner* — Janice Hallmark  
*Assistant Examiner* — Leanne Was-Englehart  
(74) *Attorney, Agent, or Firm* — Schaffer, Schaub &  
Marriott, Ltd

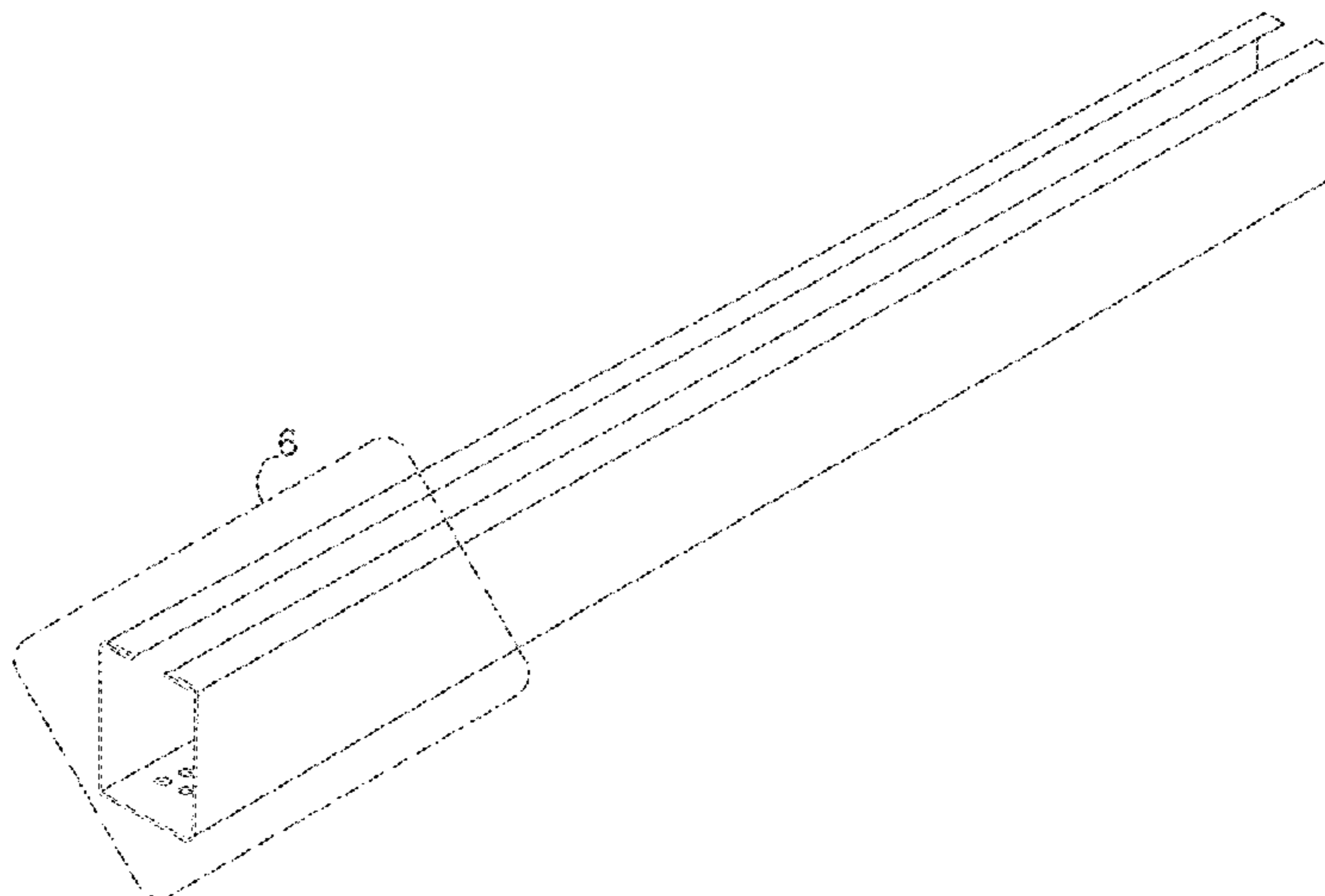
(57) **CLAIM**

The ornamental design for a horizontal reinforcement bar,  
substantially as shown and described.

**DESCRIPTION**

FIG. 1 is a perspective view view of the horizontal rein-  
forcement bar in accordance with the present design;  
FIG. 2 is a top view thereof;  
FIG. 3 is a bottom view thereof;  
FIG. 4 is an end view thereof, with the opposed end being  
a mirror image thereof;  
FIG. 5 is a side view thereof, with the opposed side being a  
mirror image; and,  
FIG. 6 is an enlarged perspective view thereof.  
The broken line rectangle in FIGS. 1 and 6 depicts the limits  
of the enlarged view.  
The broken lines depict portions of the horizontal reinforce-  
ment bar that form no part of the claimed design.

**1 Claim, 6 Drawing Sheets**



(56)

**References Cited**

U.S. PATENT DOCUMENTS

5,964,072 A \* 10/1999 Rasmussen ..... E04B 1/24  
52/666

6,082,429 A 7/2000 Ochoa

6,161,606 A 12/2000 Wegner et al.

6,408,926 B1 6/2002 Hoofard et al.

8,627,872 B2 1/2014 Wedekind

D719,280 S \* 12/2014 Hamilton ..... D25/121

8,919,414 B2 \* 12/2014 Schleef ..... B60J 1/2038  
160/178.1 R

D732,698 S \* 6/2015 Meng ..... D25/61

D755,409 S \* 5/2016 Hamilton ..... D25/121

D785,203 S \* 4/2017 Stevens ..... D25/60

2002/0059773 A1 \* 5/2002 Elderson ..... E04B 2/58  
52/667

2004/0134629 A1 \* 7/2004 Wells ..... E06B 3/485  
160/209

2006/0124254 A1 \* 6/2006 Nien ..... E06B 9/386  
160/236

2008/0029230 A1 \* 2/2008 Hagen ..... E06B 9/42  
160/311

2012/0234501 A1 \* 9/2012 Schleef ..... B60J 1/2038  
160/23.1

2014/0345810 A1 \* 11/2014 Nofziger ..... E06B 3/488  
160/181

2015/0361659 A1 \* 12/2015 Sessler ..... E04B 2/7457  
52/483.1

OTHER PUBLICATIONS

<http://www.haasdoor.com/commercial/800/index.html> Retrieved  
Jul. 6, 2017.\*

<http://www.haasdoor.com/residential/600/index.html> Available Jun.  
29, 2013 Image of strut available Aug. 21, 2015.\*

U.S. Appl. No. 13/899,966, filed May 22, 2013; Nofziger; Continu-  
ation U.S. Appl. No. 15/150,817, filed May 10, 2016; Nofziger.

\* cited by examiner

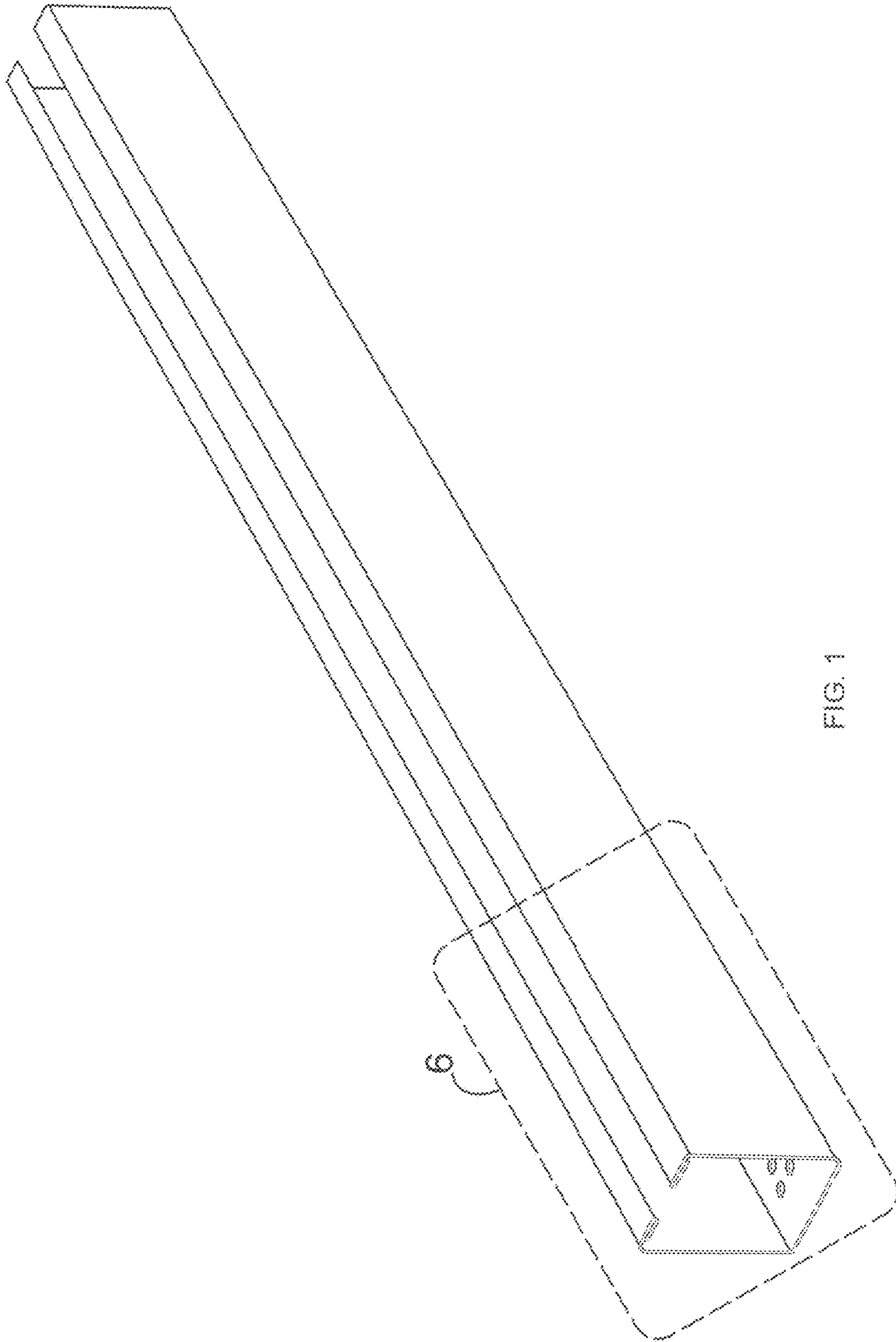


FIG. 1

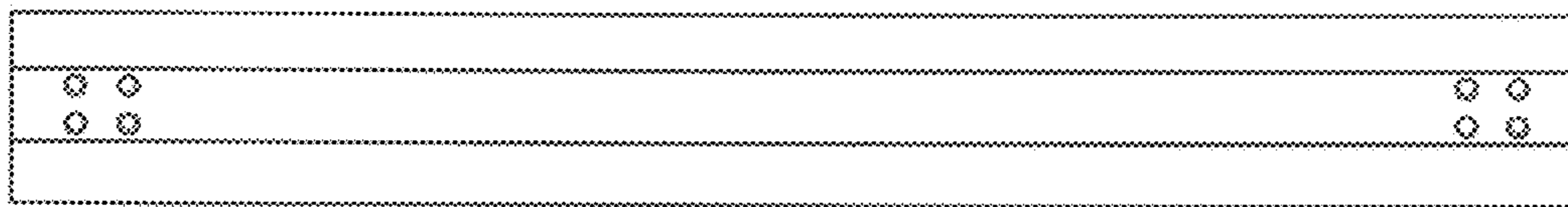


FIG 2

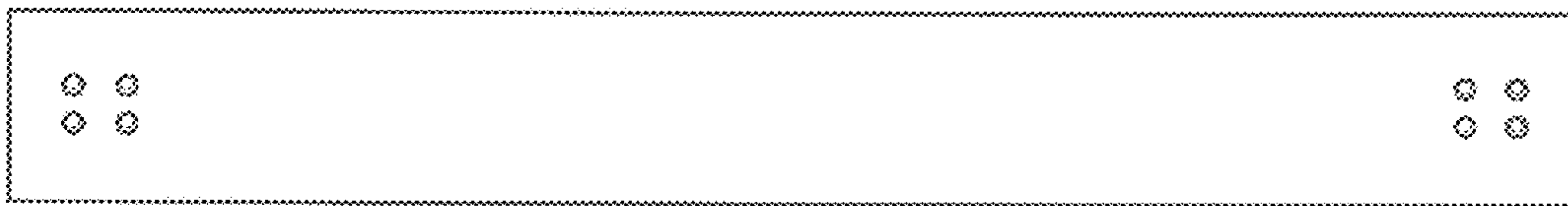


FIG 3

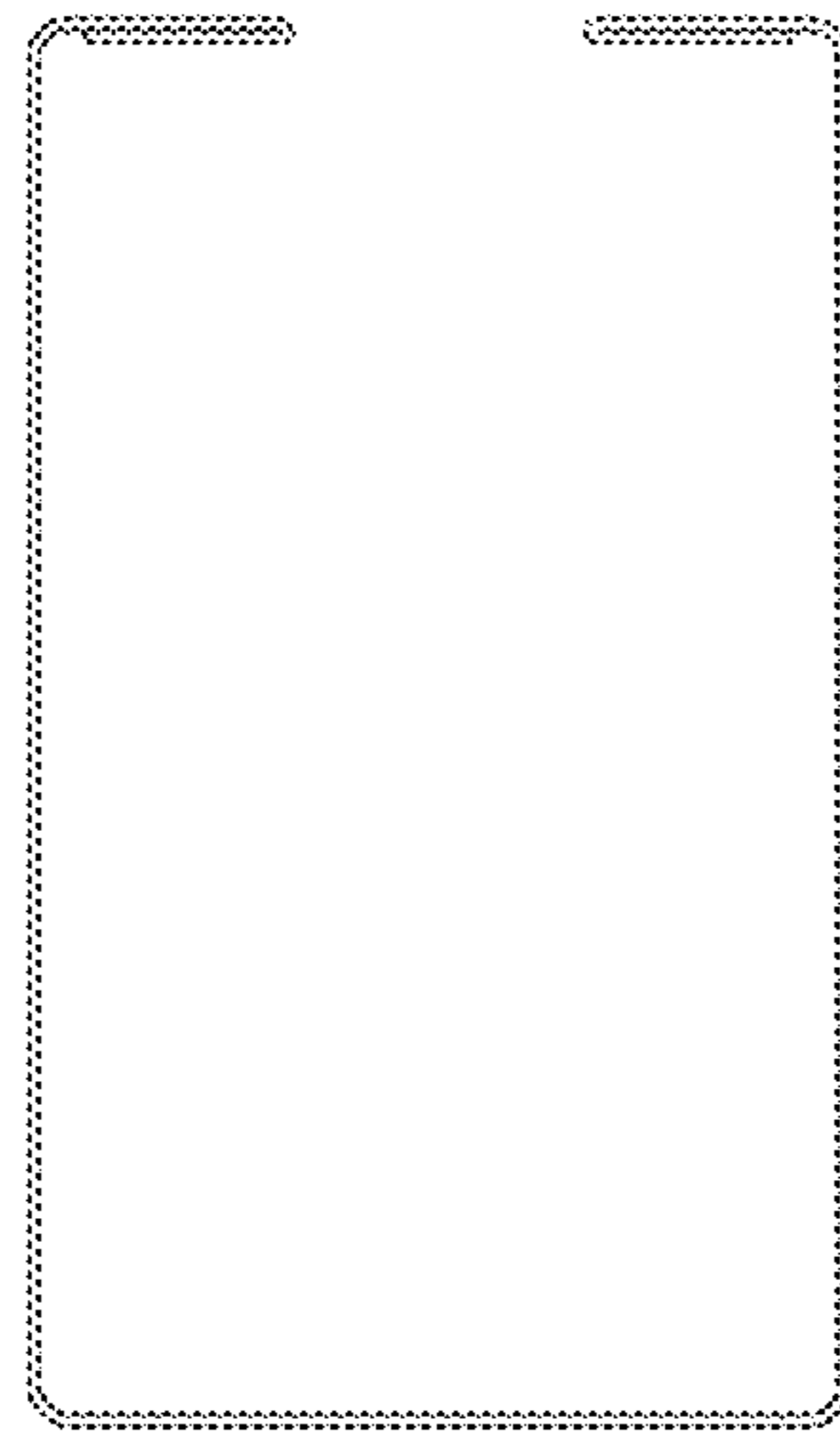


FIG 4



FIG 5

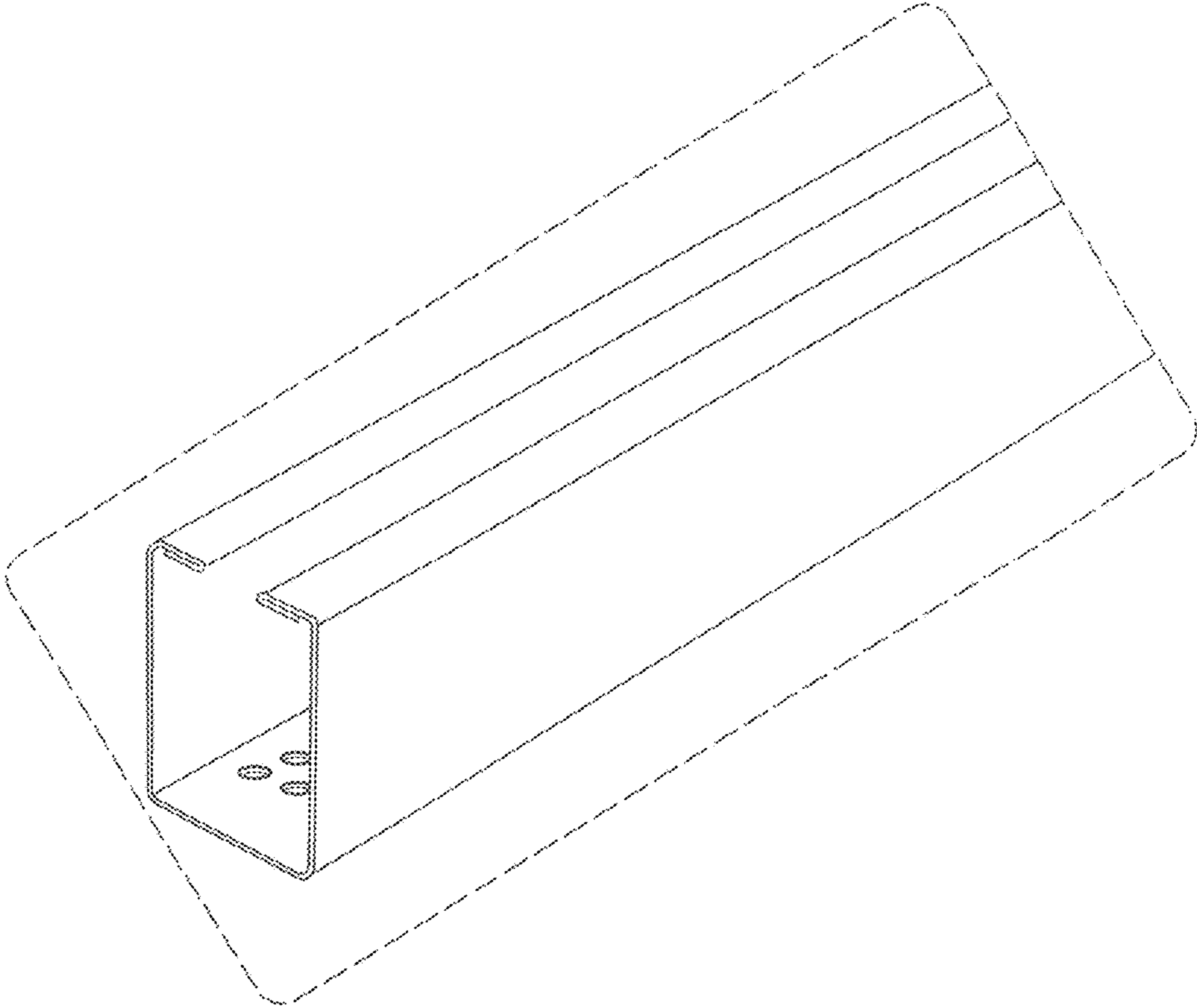


FIG. 6