



US00D812775S

(12) **United States Design Patent**
Nofziger

(10) **Patent No.:** **US D812,775 S**
(45) **Date of Patent:** **** Mar. 13, 2018**

(54) **HORIZONTAL REINFORCEMENT BAR**
(71) Applicant: **Edward L. Nofziger**, Archbold, OH
(US)
(72) Inventor: **Edward L. Nofziger**, Archbold, OH
(US)

4,638,844 A 1/1987 Hayashiguchi
4,934,439 A 6/1990 Martin
4,987,941 A 1/1991 Wold
5,445,207 A * 8/1995 Romanelli E05D 15/24
160/209
5,588,270 A 12/1996 Keating
5,749,407 A 5/1998 Brenner et al.
5,794,400 A 8/1998 Fisher et al.
(Continued)

(**) Term: **15 Years**

(21) Appl. No.: **29/559,042**

(22) Filed: **Mar. 24, 2016**

Related U.S. Application Data

(63) Continuation of application No. 13/899,966, filed on May 22, 2013, now abandoned.

(51) **LOC (11) Cl.** **25-01**

(52) **U.S. Cl.**
USPC **D25/61**

(58) **Field of Classification Search**
USPC D25/48.1-48.4, 55, 61, 119-126, 132,
D25/136, 164; 52/18, 171.3, 173.3, 200,
52/DIG. 17; 136/206, 230, 251;
160/181, 201, 229.1, 236, 405
CPC . E06B 3/485; E06B 3/488; E06B 9/42; E06B
7/00; E05D 15/24; B60J 1/2038
See application file for complete search history.

(56) **References Cited**

U.S. PATENT DOCUMENTS

1,608,667 A 11/1926 Poetsch
2,196,399 A 4/1940 Rubel
2,678,689 A 5/1954 McKee et al.
2,804,953 A 9/1957 Buehler
3,424,223 A 1/1969 Rosenblatt
3,443,625 A 5/1969 Moser et al.
3,978,626 A * 9/1976 Weinar E04B 2/58
249/215
D245,019 S * 7/1977 Ashworth D25/131
4,635,882 A 1/1987 SenGupta et al.

OTHER PUBLICATIONS

<https://www.automated-miami.com/wp-content/uploads/2016/07/2016-03-10-14.04.59.jpg> Available Mar. 10, 2016.*

(Continued)

Primary Examiner — Janice Hallmark
Assistant Examiner — Leanne Was-Englehart
(74) *Attorney, Agent, or Firm* — Schaffer, Schaub & Marriott Ltd

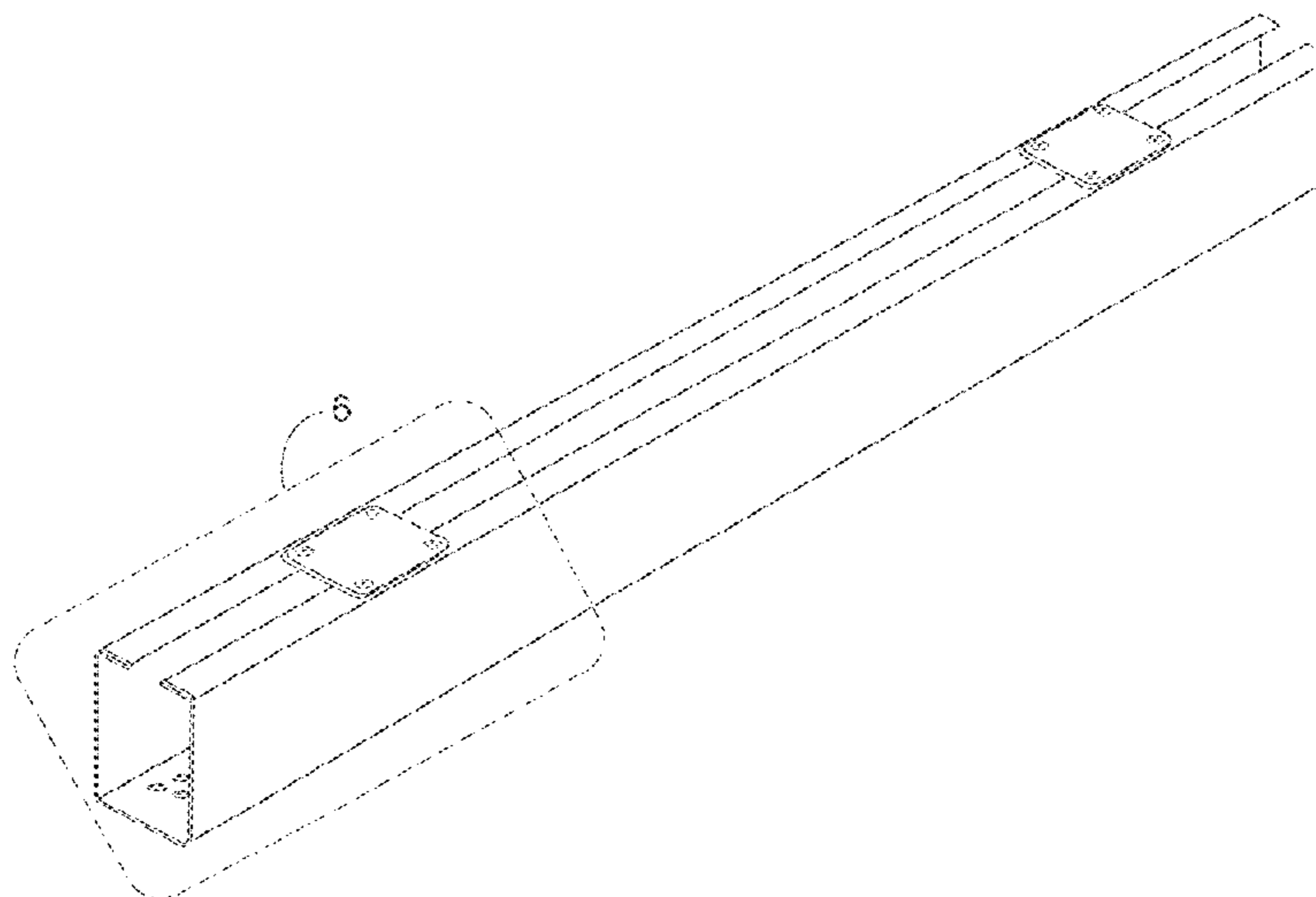
(57) **CLAIM**

The ornamental design for a horizontal reinforcement bar, substantially as shown and described.

DESCRIPTION

FIG. 1 is a perspective view view of the horizontal reinforcement bar in accordance with the present design; FIG. 2 is a top view thereof; FIG. 3 is a bottom view thereof; FIG. 4 is an end view thereof, with the opposed end being a mirror image thereof; FIG. 5 is a side view thereof, with the opposed side being a mirror image; and, FIG. 6 is an enlarged perspective view thereof. The broken line rectangle in FIGS. 1 and 6 depicts the limits of the enlarged view. The broken lines depict portions of the horizontal reinforcement bar that form no part of the claimed design.

1 Claim, 6 Drawing Sheets



(56)

References Cited

U.S. PATENT DOCUMENTS

5,964,072 A * 10/1999 Rasmussen E04B 1/24
52/666

6,082,429 A 7/2000 Ochoa

6,161,606 A 12/2000 Wegner et al.

6,408,926 B1 6/2002 Hoofard et al.

8,627,872 B2 1/2014 Wedekind

D719,280 S * 12/2014 Hamilton D25/121

8,919,414 B2 * 12/2014 Schleef B60J 1/2038
160/178.1 R

D732,698 S * 6/2015 Meng D25/61

D755,409 S * 5/2016 Hamilton D25/121

D785,203 S * 4/2017 Stevens D25/60

2002/0059773 A1 * 5/2002 Elderson E04B 2/58
52/667

2004/0134629 A1 * 7/2004 Wells E06B 3/485
160/209

2006/0124254 A1 * 6/2006 Nien E06B 9/386
160/236

2008/0029230 A1 * 2/2008 Hagen E06B 9/42
160/311

2012/0234501 A1 * 9/2012 Schleef B60J 1/2038
160/23.1

2014/0345810 A1 * 11/2014 Nofziger E06B 3/488
160/181

2015/0361659 A1 * 12/2015 Sessler E04B 2/7457
52/483.1

OTHER PUBLICATIONS

<http://www.haasdoor.com/commercial/800/index.html> Retrieved Jul. 6, 2017.*

<http://www.haasdoor.com/residential/600/index.html> Available Jun. 29, 2013 Image of strut available Aug. 21, 2015.*

U.S. Appl. No. 13/899,966, filed May 22, 2013; Nofziger; U.S. Appl. No. 15/150,817, filed May 10, 2016; Nofziger.

* cited by examiner

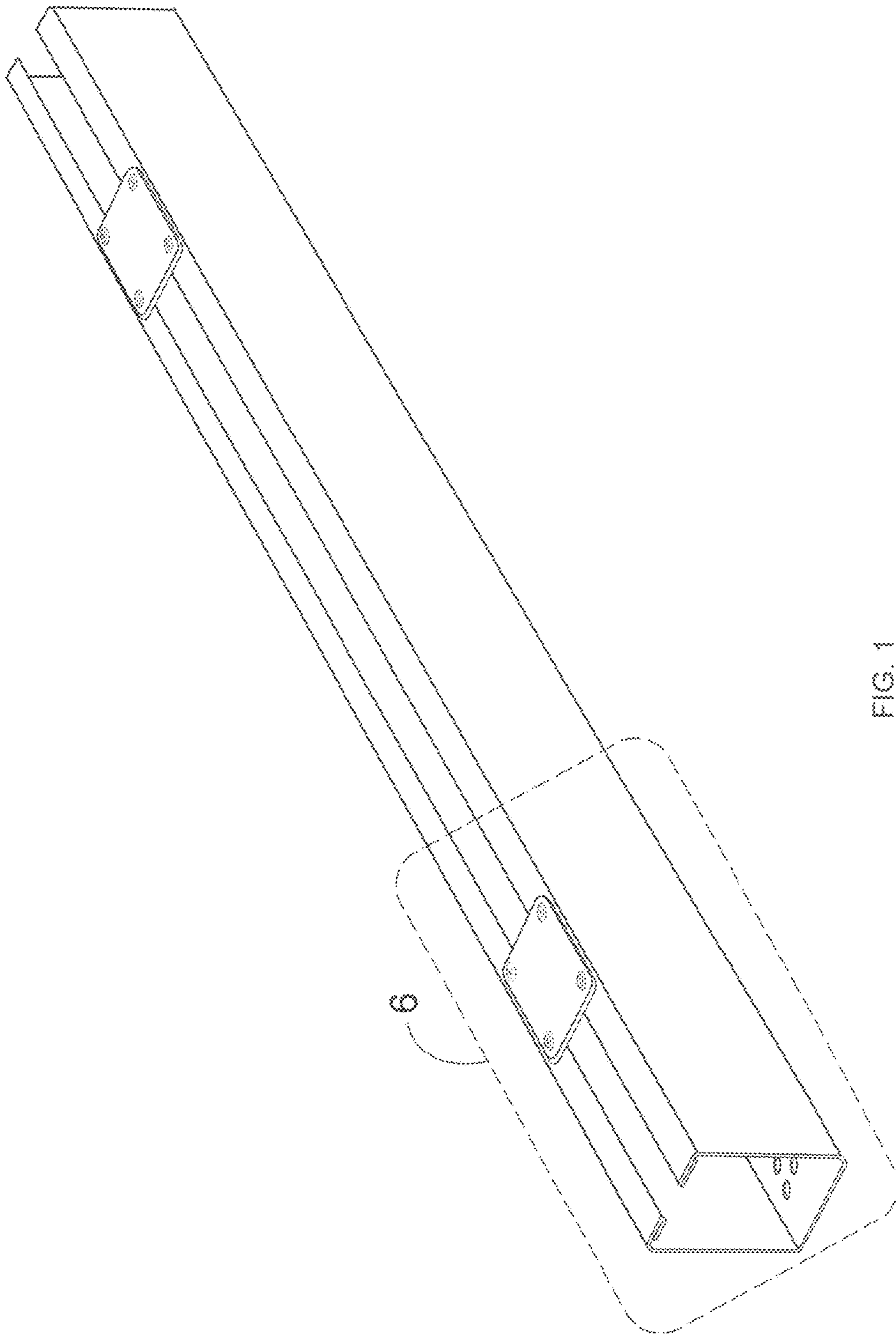


FIG. 1

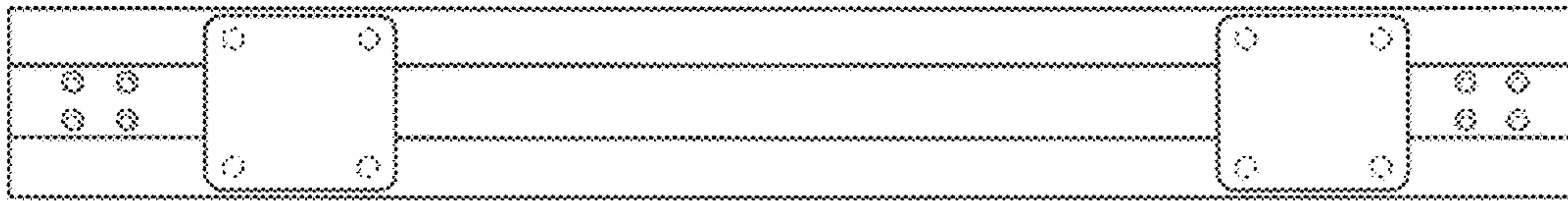


FIG 2

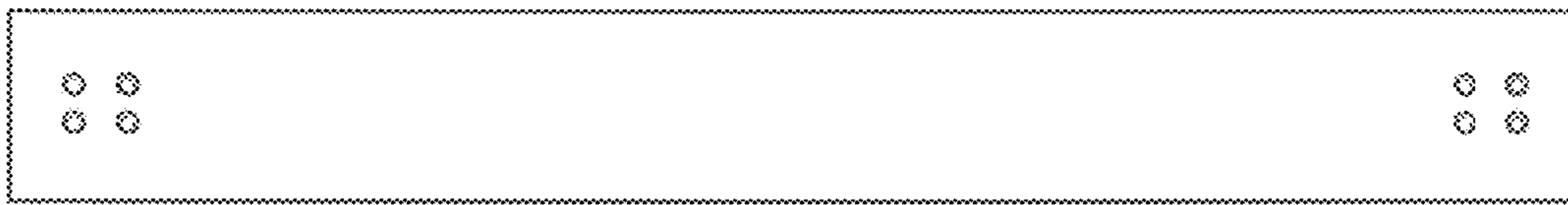


FIG 3

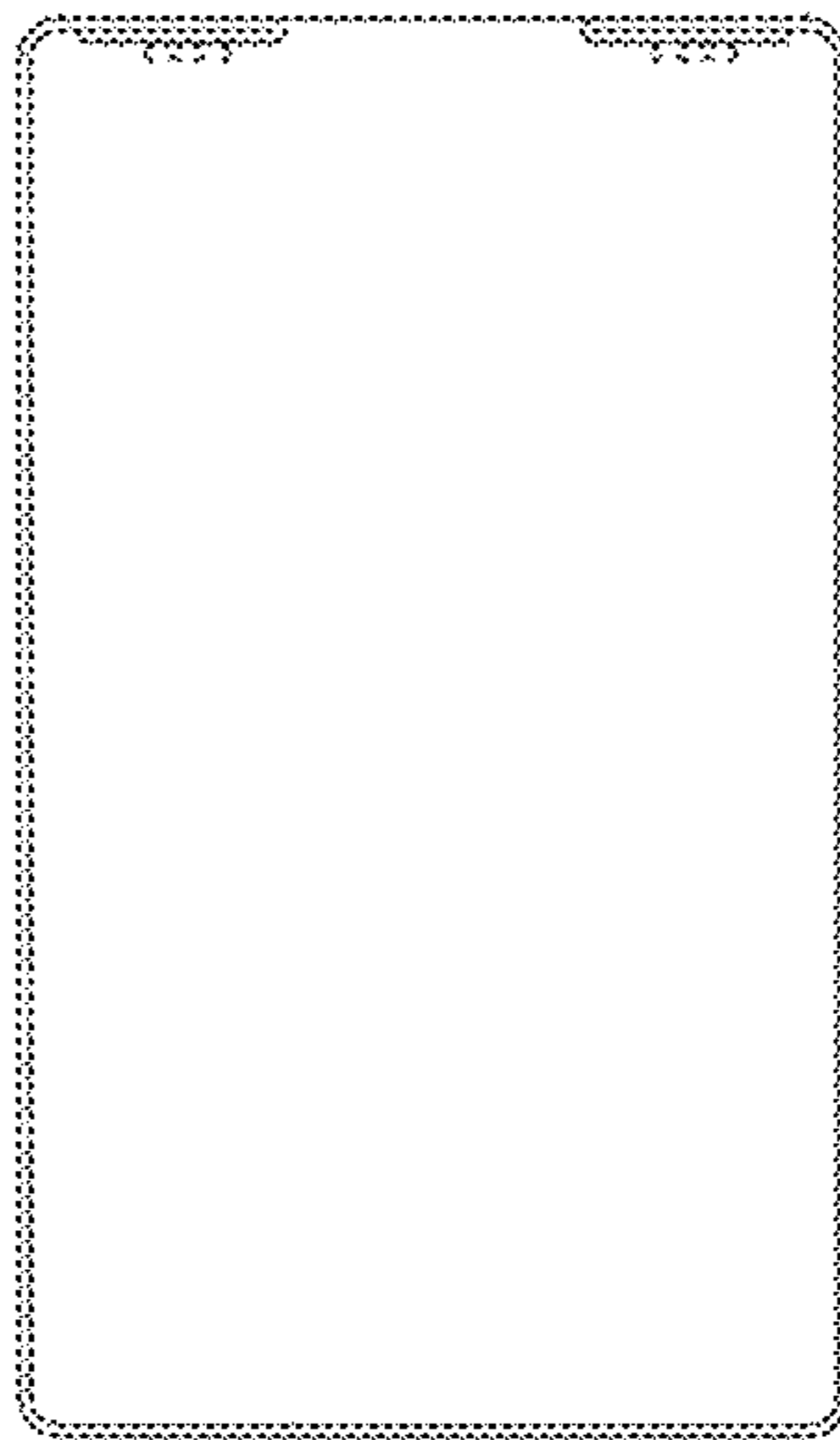


FIG 4

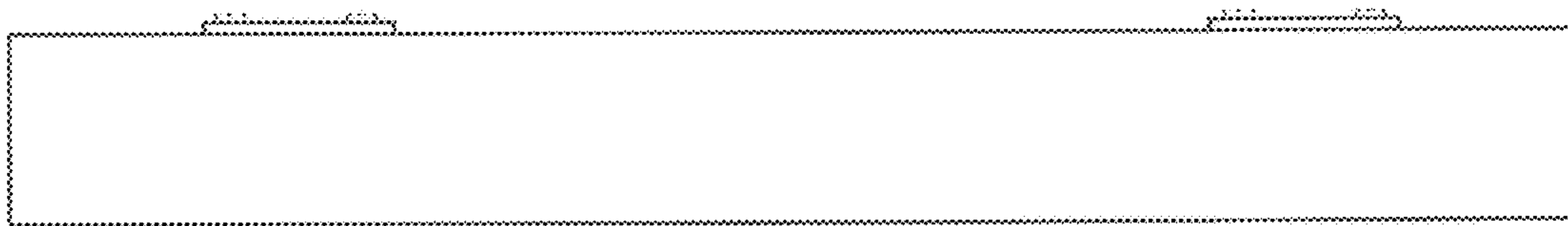


FIG 5

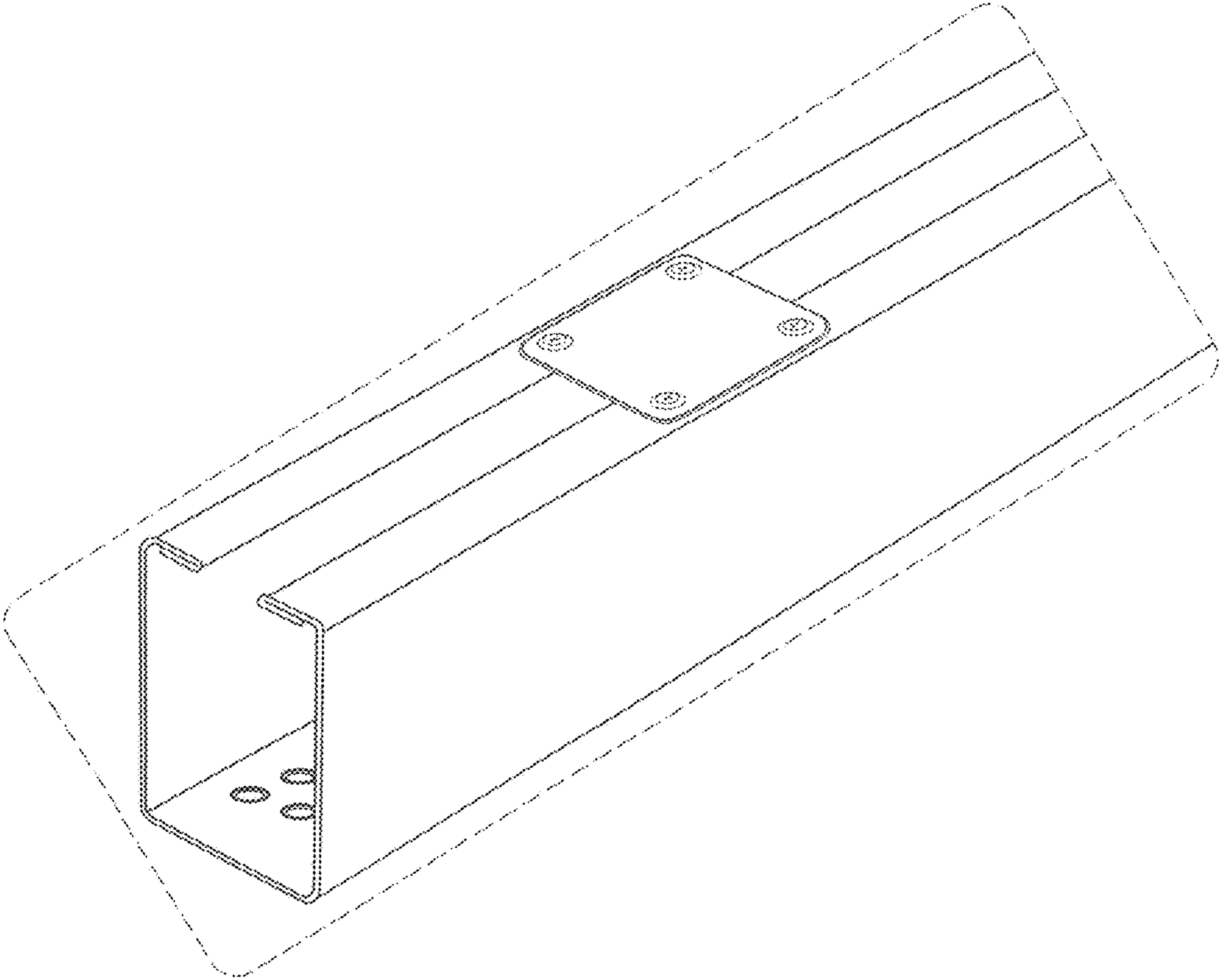


FIG. 6