



US00D812773S

(12) **United States Design Patent**
Gouge et al.

(10) **Patent No.:** **US D812,773 S**
(45) **Date of Patent:** **** Mar. 13, 2018**

(54) **DOOR**

(71) Applicant: **MASONITE CORPORATION**,
Tampa, FL (US)

(72) Inventors: **Timothy D. Gouge**, Elgin, IL (US);
Robert C. Allen, Elburn, IL (US);
Jason M. Walsh, Batavia, IL (US);
Mark Albrighton, Wesley Chapel, FL
(US)

(73) Assignee: **Masonite Corporation**, Tampa, FL
(US)

(**) Term: **15 Years**

(21) Appl. No.: **29/529,489**

(22) Filed: **Jun. 8, 2015**

(51) **LOC (11) Cl.** **25-02**

(52) **U.S. Cl.**
USPC **D25/48.3**

(58) **Field of Classification Search**
USPC D25/48.3, 48.4, 48.5, 48.6, 48.7, 48.8,
D25/138; 49/382, 501, 504, 506;
(Continued)

(56) **References Cited**

U.S. PATENT DOCUMENTS

432,504 A * 7/1890 Amsden E06B 3/5892
52/455
926,361 A * 6/1909 Sjobring E06B 3/5892
52/455

(Continued)

Primary Examiner — Susan Bennett Hattan

Assistant Examiner — Leanne Was-Englehart

(74) *Attorney, Agent, or Firm* — Berenato & White, LLC

(57) **CLAIM**

The ornamental design for a door, as shown and described.

DESCRIPTION

FIG. 1 is a front perspective view of our design;

FIG. 2 is a front elevational view;

FIG. 3 is a rear elevational view;

FIG. 4 is an enlarged view of the encircled portion of FIG. 1;

FIG. 5 is a top plan view;

FIG. 6 is a bottom plan view;

FIG. 7 is a cross sectional view taken along line 7-7 of FIG. 2;

FIG. 8 is a cross sectional view taken along line 8-8 of FIG. 2;

FIG. 9 is an enlarged fragmentary cross sectional view of the encircled portion of FIG. 7;

FIG. 10 is an enlarged fragmentary cross sectional view of the encircled portion of FIG. 8;

FIG. 11 is a right side elevational view;

FIG. 12 is a left elevational view;

FIG. 13 is a cross sectional view taken along line 13-13 of FIG. 2;

FIG. 14 is an enlarged fragmentary cross sectional view of the encircled portion of FIG. 13;

FIG. 15 is an enlarged fragmentary cross sectional view of the encircled portion of FIG. 13;

FIG. 16 is a front perspective view of a second version of our design;

FIG. 17 is a front elevational view;

FIG. 18 is a rear elevational view;

FIG. 19 is an enlarged view of the encircled portion of FIG. 16;

FIG. 20 is a top plan view;

FIG. 21 is a bottom plan view;

FIG. 22 is a cross sectional view taken along line 22-22 of FIG. 17;

FIG. 23 is a cross sectional view taken along line 23-23 of FIG. 17;

FIG. 24 is an enlarged fragmentary cross sectional view of the encircled portion of FIG. 22;

FIG. 25 is enlarged fragmentary cross sectional view of the encircled portion of FIG. 23;

FIG. 26 is a right side elevational view;

FIG. 27 is a left elevational view;

FIG. 28 is a cross sectional view taken along line 28-28 of FIG. 17;

FIG. 29 is an enlarged fragmentary cross sectional view of the encircled portion of FIG. 28;

(Continued)

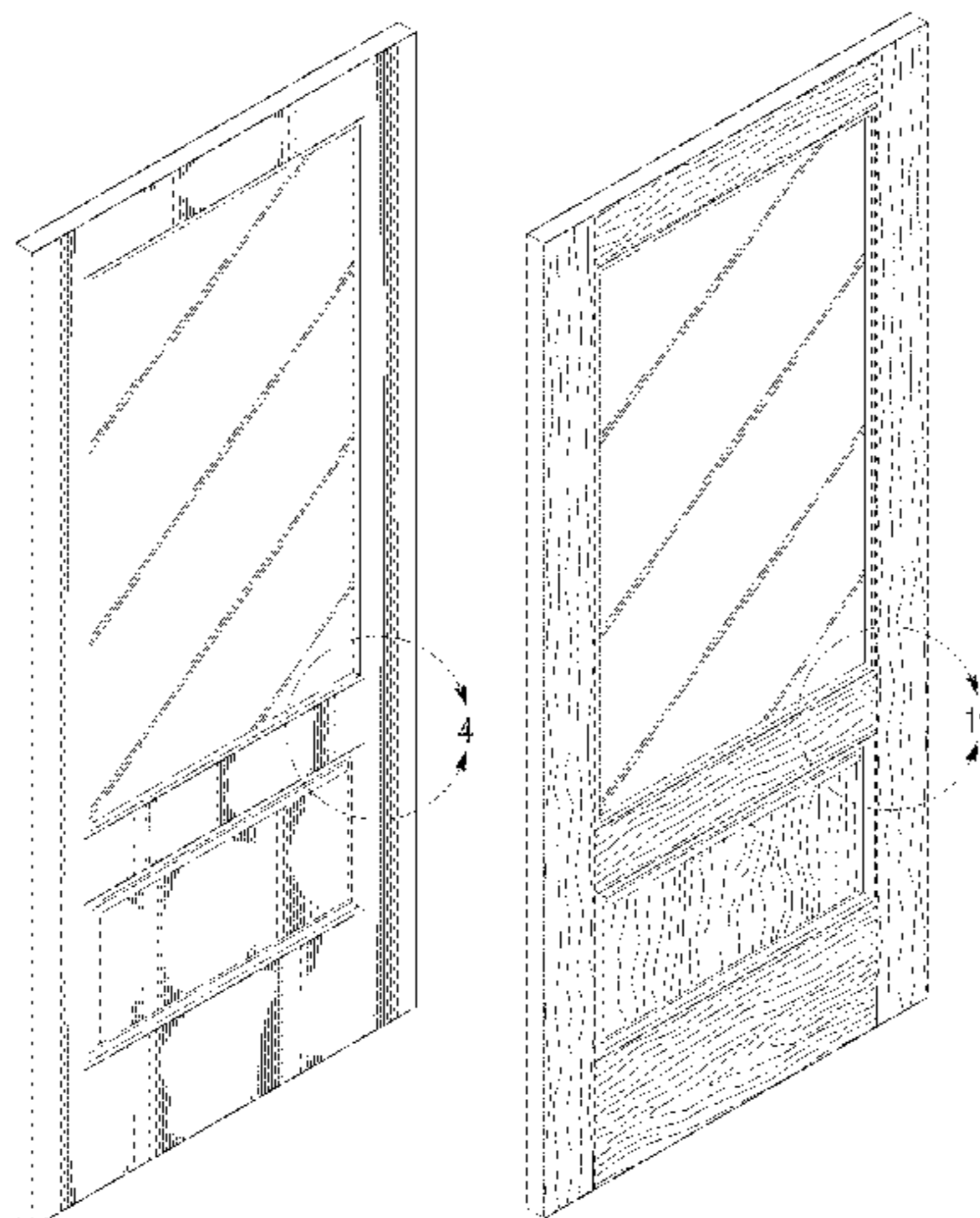


FIG. 30 is an enlarged fragmentary cross sectional view of the encircled portion of FIG. 28;
 FIG. 31 is a front perspective view of a third version of our design;
 FIG. 32 is a front elevational view;
 FIG. 33 is a rear elevational view;
 FIG. 34 is an enlarged view of the encircled portion of FIG. 31;
 FIG. 35 is a top plan view;
 FIG. 36 is a bottom plan view;
 FIG. 37 is a cross sectional view taken along line 37-37 of FIG. 32;
 FIG. 38 is a cross sectional view taken along line 38-38 of FIG. 32;
 FIG. 39 is an enlarged fragmentary cross sectional view of the encircled portion of FIG. 37;
 FIG. 40 is enlarged fragmentary cross sectional view of the encircled portion of FIG. 38;
 FIG. 41 is a right side elevational view;
 FIG. 42 is a left elevational view;
 FIG. 43 is a cross sectional view taken along line 43-43 of FIG. 32;
 FIG. 44 is an enlarged fragmentary cross sectional view of the encircled portion of FIG. 43;
 FIG. 45 is an enlarged fragmentary cross sectional view of the encircled portion of FIG. 43;
 FIG. 46 is a front perspective view of a fourth version of our design;
 FIG. 47 is a front elevational view;
 FIG. 48 is a rear elevational view;
 FIG. 49 is an enlarged view of the encircled portion of FIG. 46;
 FIG. 50 is a top plan view;
 FIG. 51 is a bottom plan view;
 FIG. 52 is a cross sectional view taken along line 52-52 of FIG. 47;
 FIG. 53 is a cross sectional view taken along line 53-53 of FIG. 47;
 FIG. 54 is an enlarged fragmentary cross sectional view of the encircled portion of FIG. 52;
 FIG. 55 is enlarged fragmentary cross sectional view of the encircled portion of FIG. 53;
 FIG. 56 is a right side elevational view;
 FIG. 57 is a left elevational view;
 FIG. 58 is a cross sectional view taken from FIG. 47;
 FIG. 59 is an enlarged fragmentary cross sectional view of the encircled portion of FIG. 58; and,
 FIG. 60 is an enlarged fragmentary cross sectional view of the encircled portion of FIG. 58.

The broken lines in the drawings depict the limits of the enlarged views. The broken lines form no part of the claimed design.

1 Claim, 32 Drawing Sheets

(58) **Field of Classification Search**

USPC 52/207, 208, 311.2, 311.3, 313, 455-458, 52/474, 475.1, 781, 784.16; 428/45
 CPC ... E06B 3/72; E06B 3/78; E06B 3/485; E06B 3/4636; E06B 2003/7044; E06B 1/04; E06B 5/00

See application file for complete search history.

(56) **References Cited**

U.S. PATENT DOCUMENTS

956,556	A *	5/1910	Wege	E06B 3/5892 5/280
985,912	A *	3/1911	Lindros	E06B 3/5892 52/455
986,013	A *	3/1911	Klemm	E06B 3/728 52/455
988,574	A *	4/1911	Jones	E06B 3/5892 52/455
1,021,053	A *	3/1912	Lempera	E06B 3/5892 52/455
1,086,934	A *	2/1914	Parish	E06B 3/5892 52/455
1,094,025	A *	4/1914	Scott	E04B 1/0046 52/455
1,391,949	A *	9/1921	Gogay	E06B 3/5892 52/455
1,466,650	A *	8/1923	Peterson	E06B 3/728 52/455
D529,188	S	9/2006	Walsh et al.	
D566,293	S	4/2008	Walsh et al.	
D593,212	S	5/2009	Walsh et al.	
D608,904	S	1/2010	Walsh et al.	
D640,391	S *	6/2011	Walsh	D25/48.3
D640,392	S *	6/2011	Walsh	D25/38.1
D652,948	S *	1/2012	Walsh	D25/48.3
D655,020	S *	2/2012	Walsh	D25/48.3
D660,979	S	5/2012	Walsh	
D665,099	S	8/2012	Paxton	
D696,422	S *	12/2013	Walsh	D25/48.3
D735,887	S *	8/2015	Walsh	D25/48.3
D736,409	S	8/2015	Gouge et al.	
D756,534	S *	5/2016	Allen	D25/48.3

* cited by examiner

FIG. 1

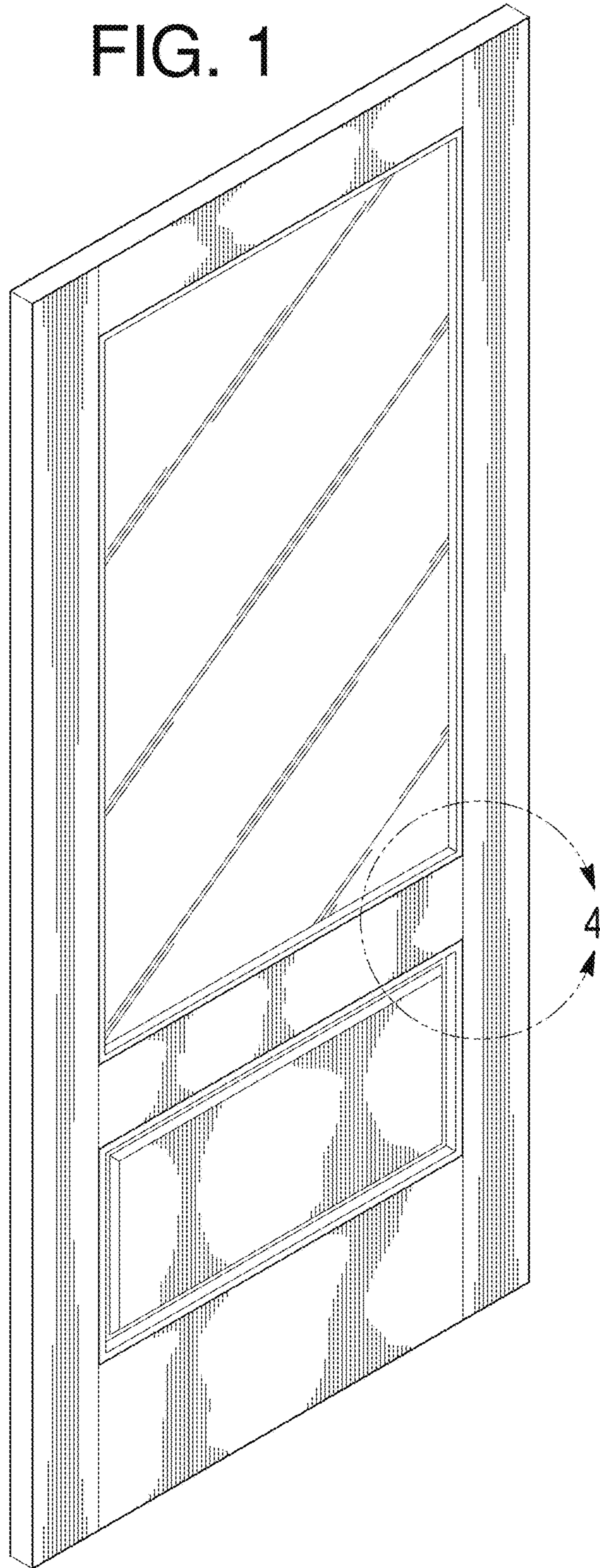


FIG. 2

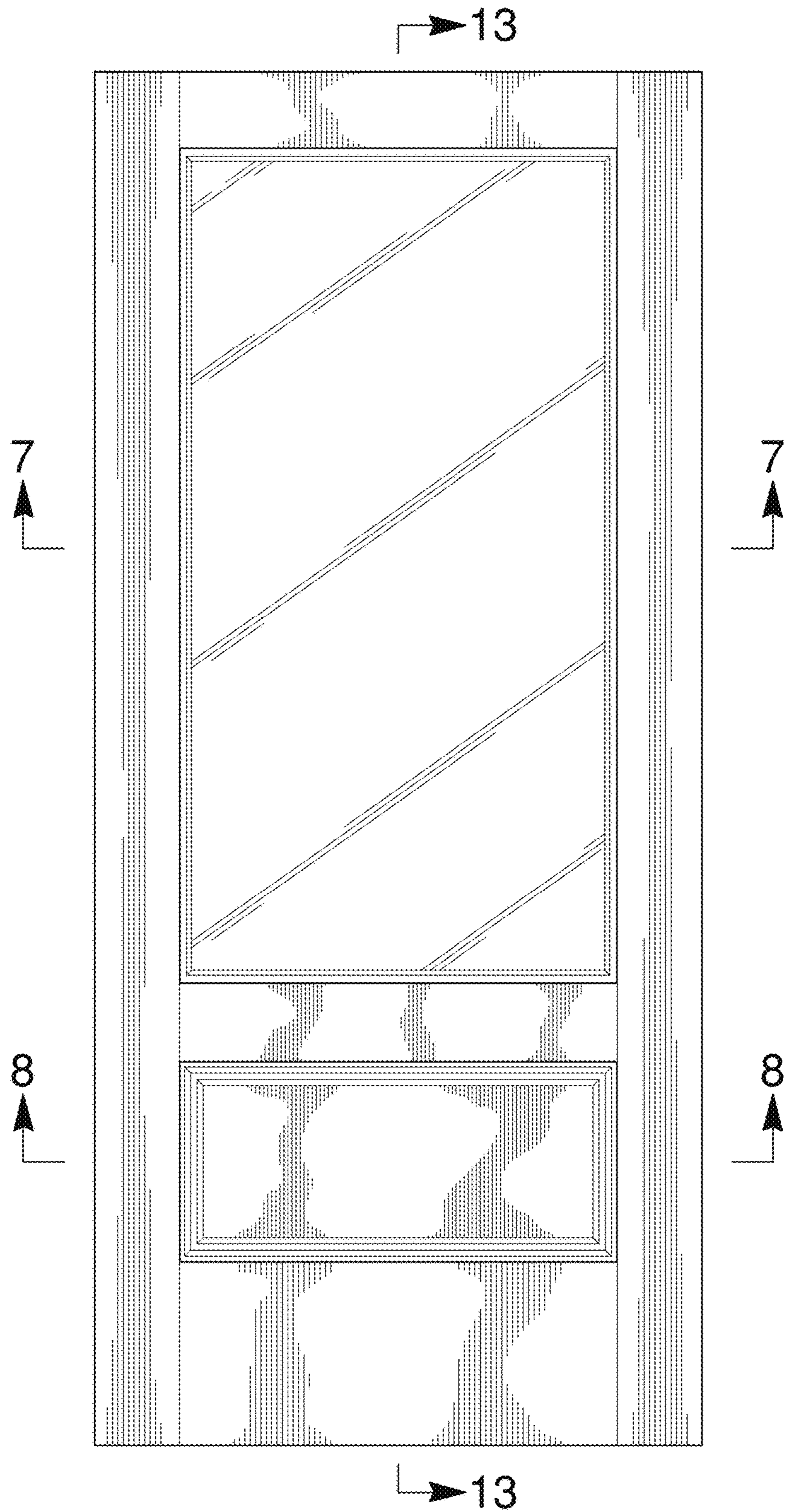


FIG. 3

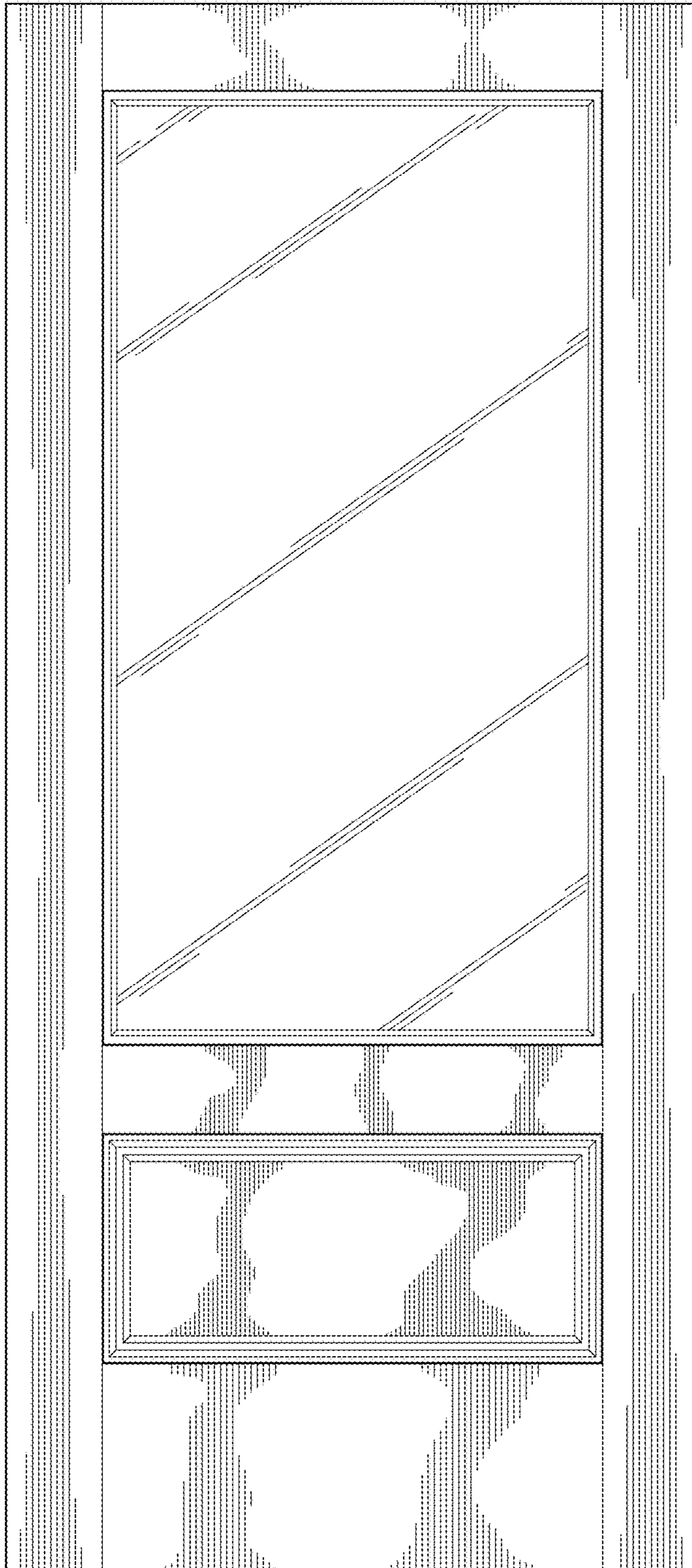


FIG. 4

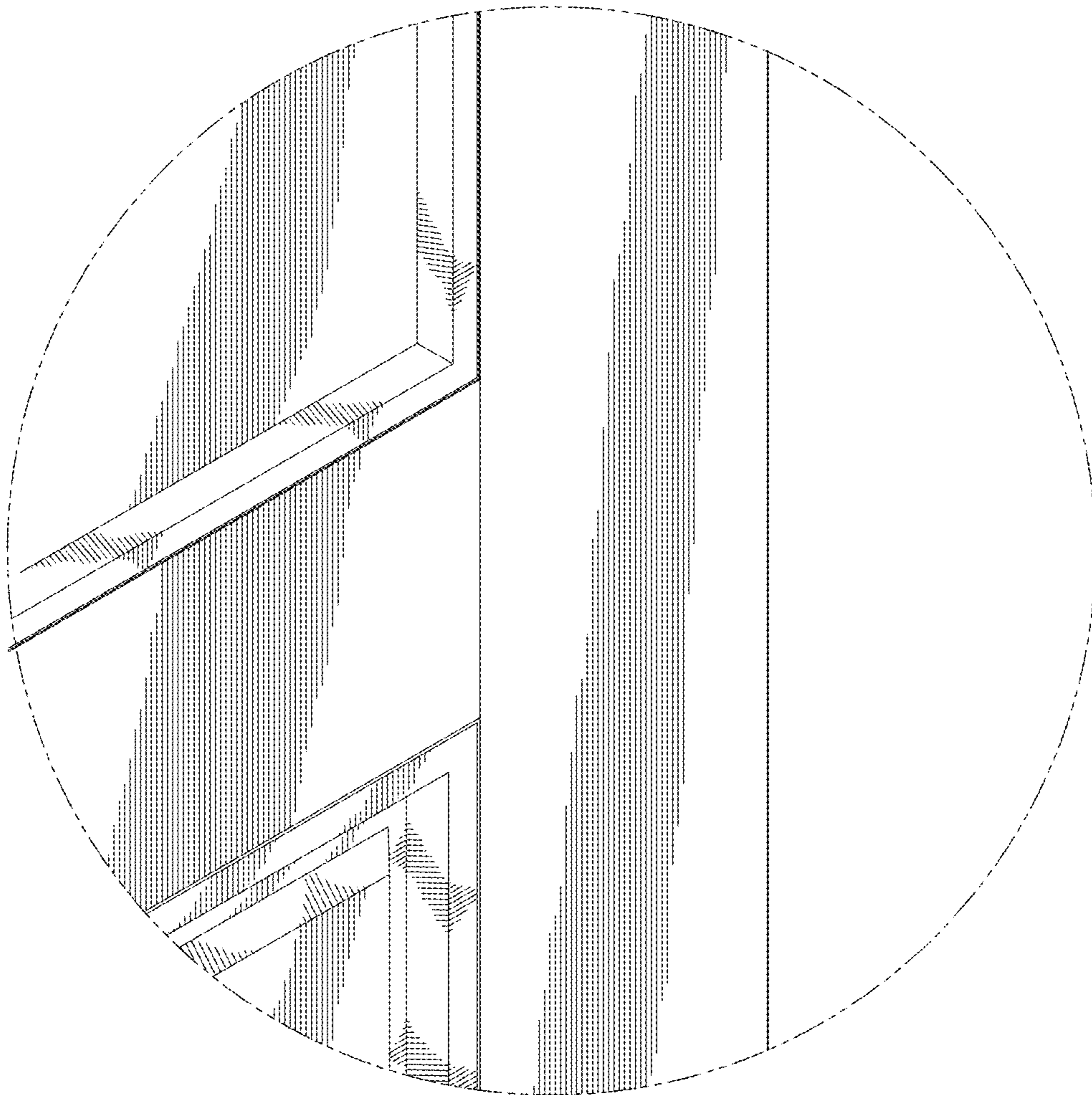


FIG. 5



FIG. 6



FIG. 7

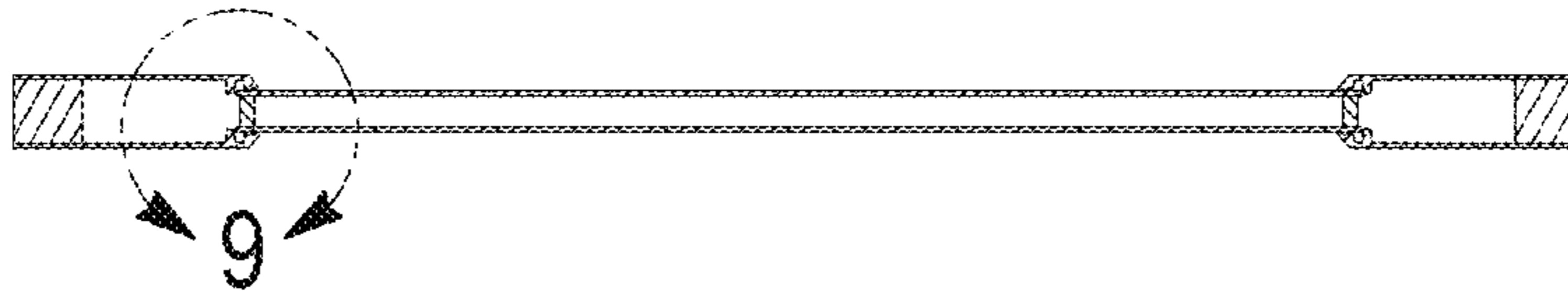
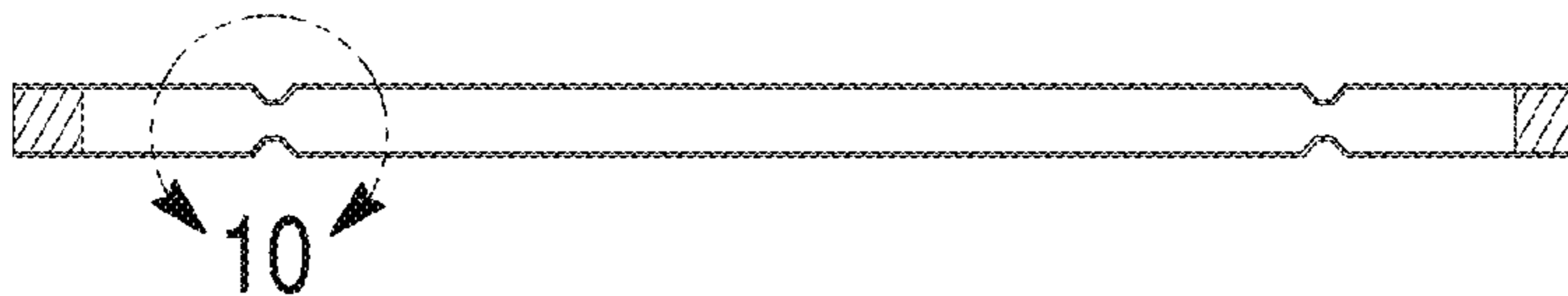


FIG. 8



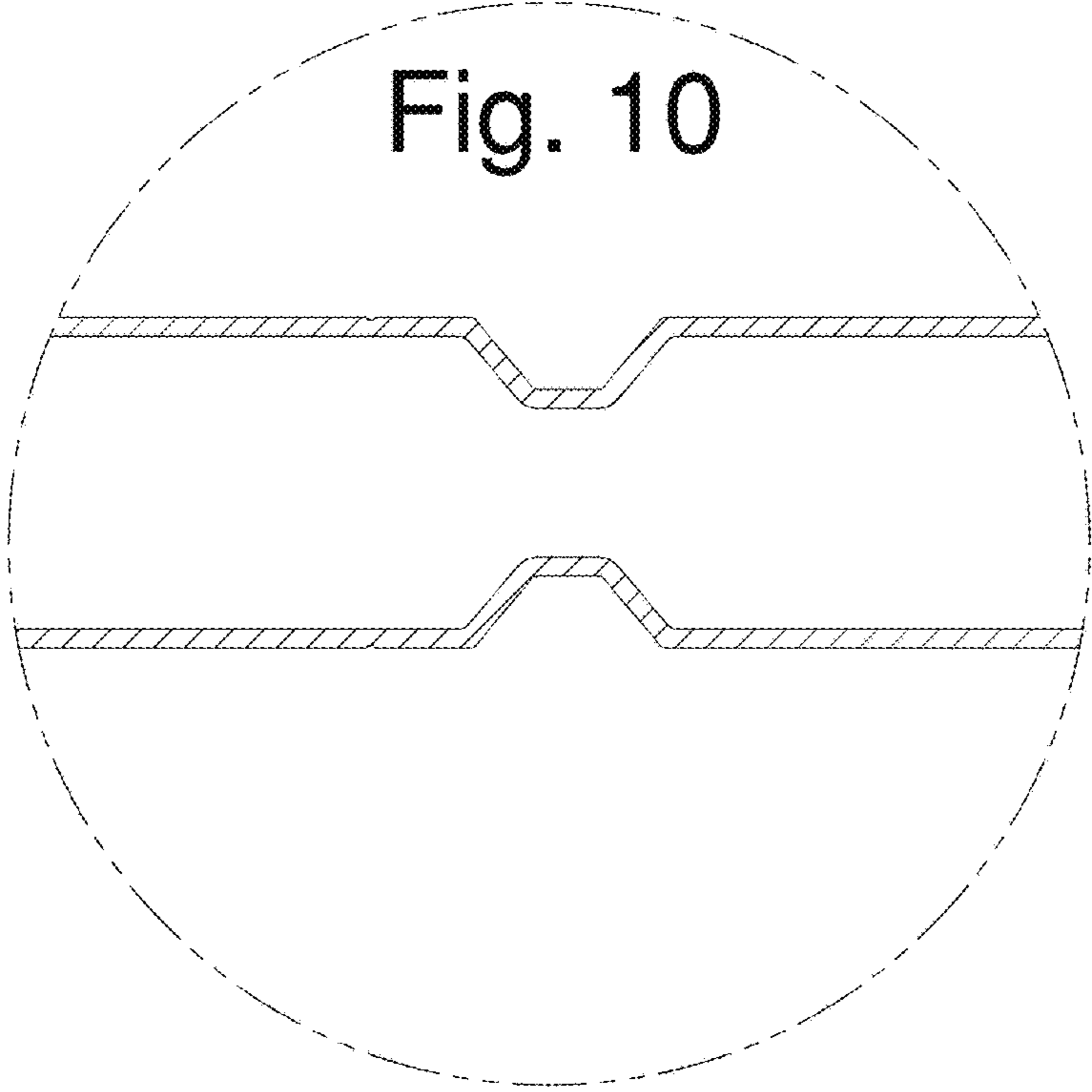
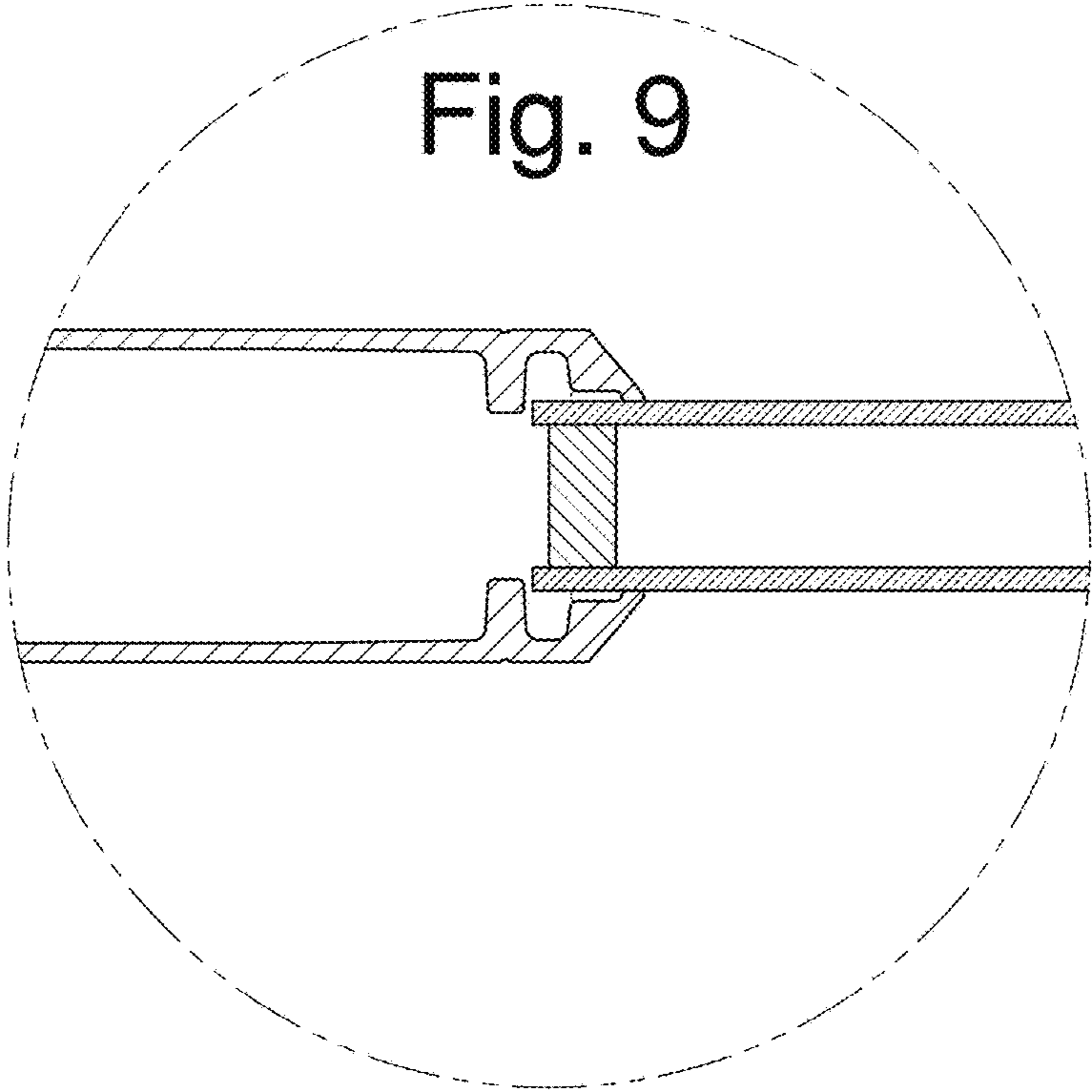


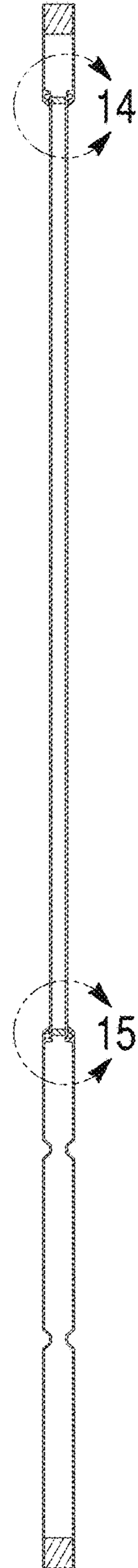
FIG. 11



FIG. 12



FIG. 13



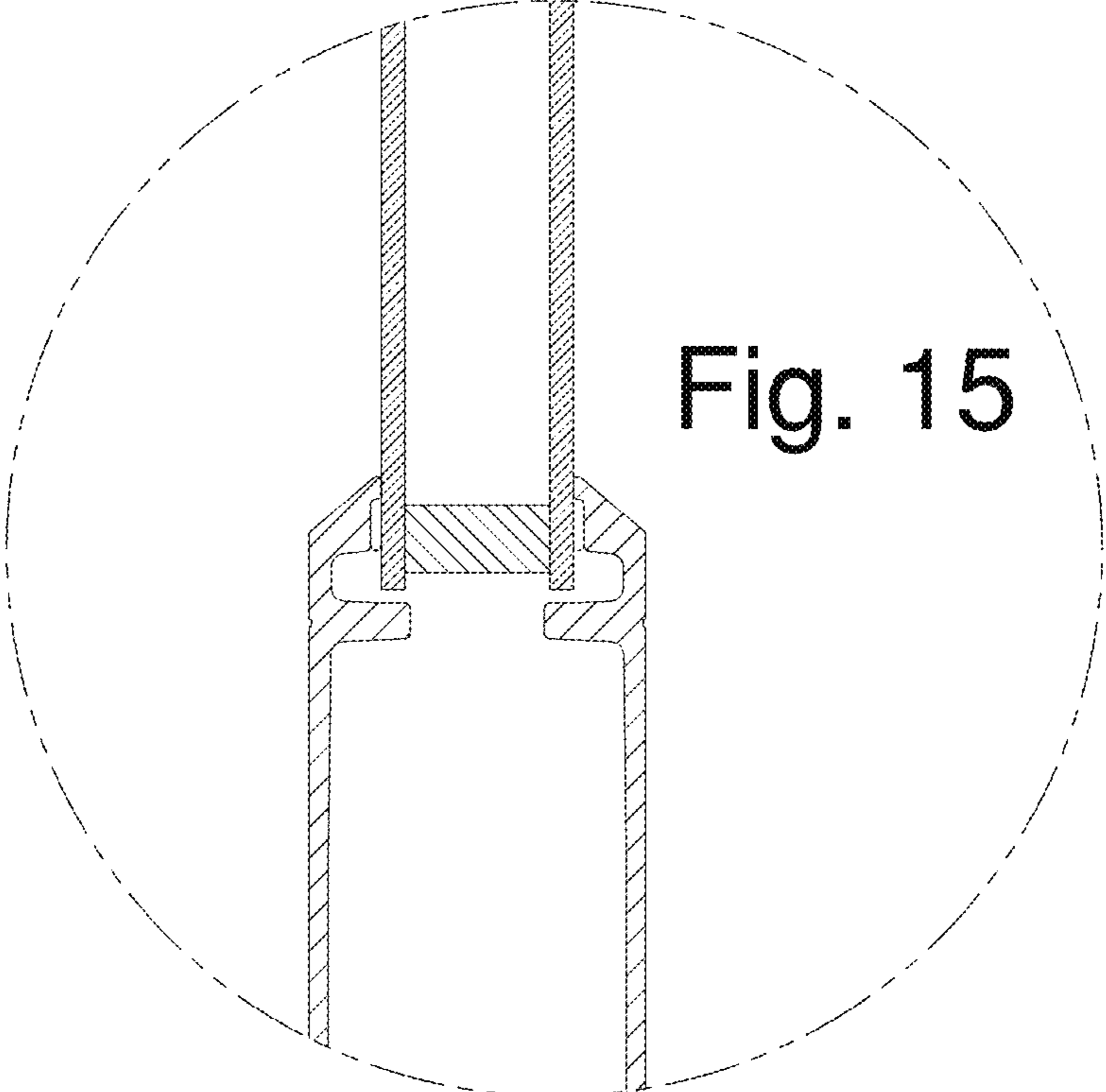
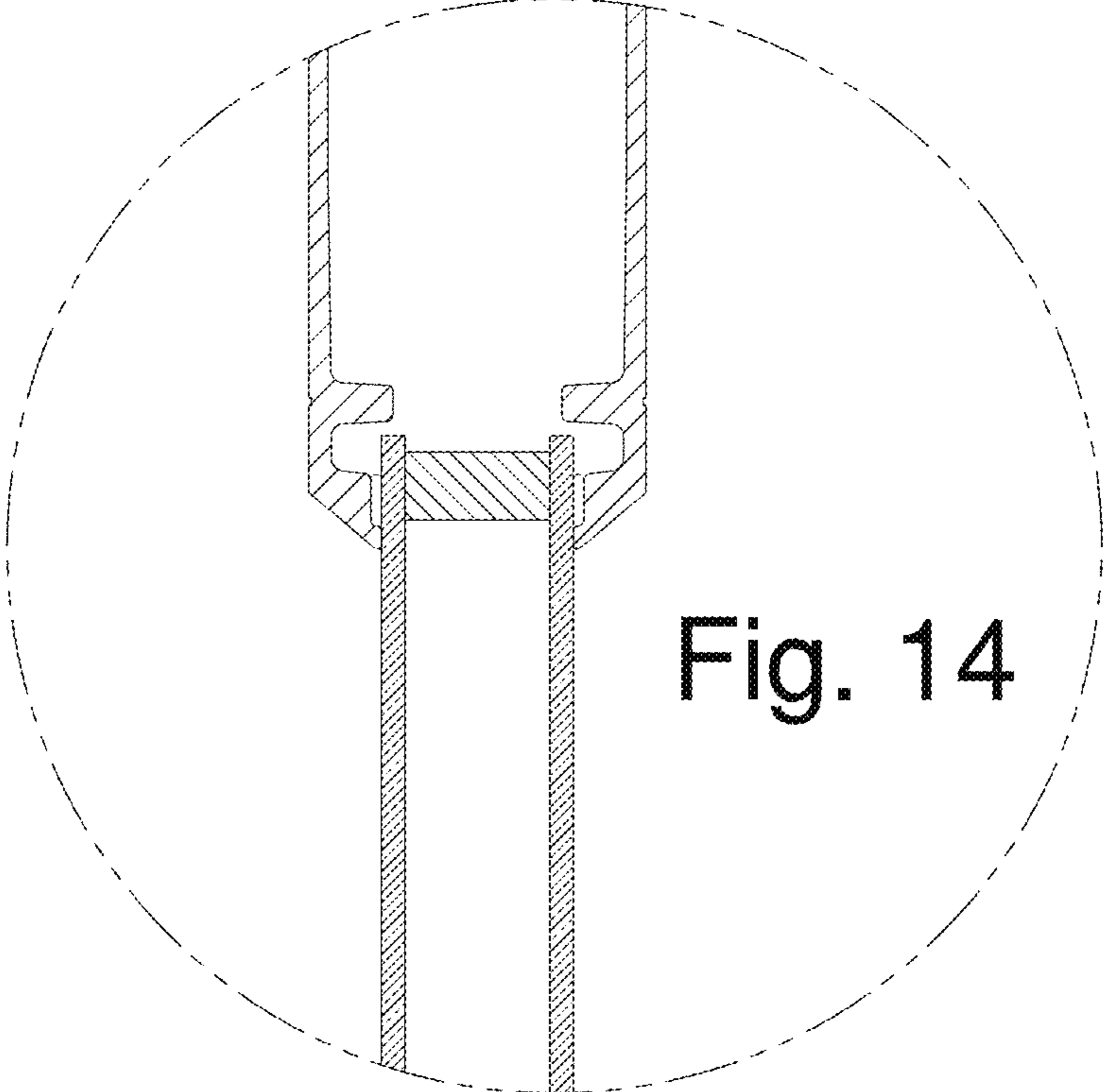


FIG. 16

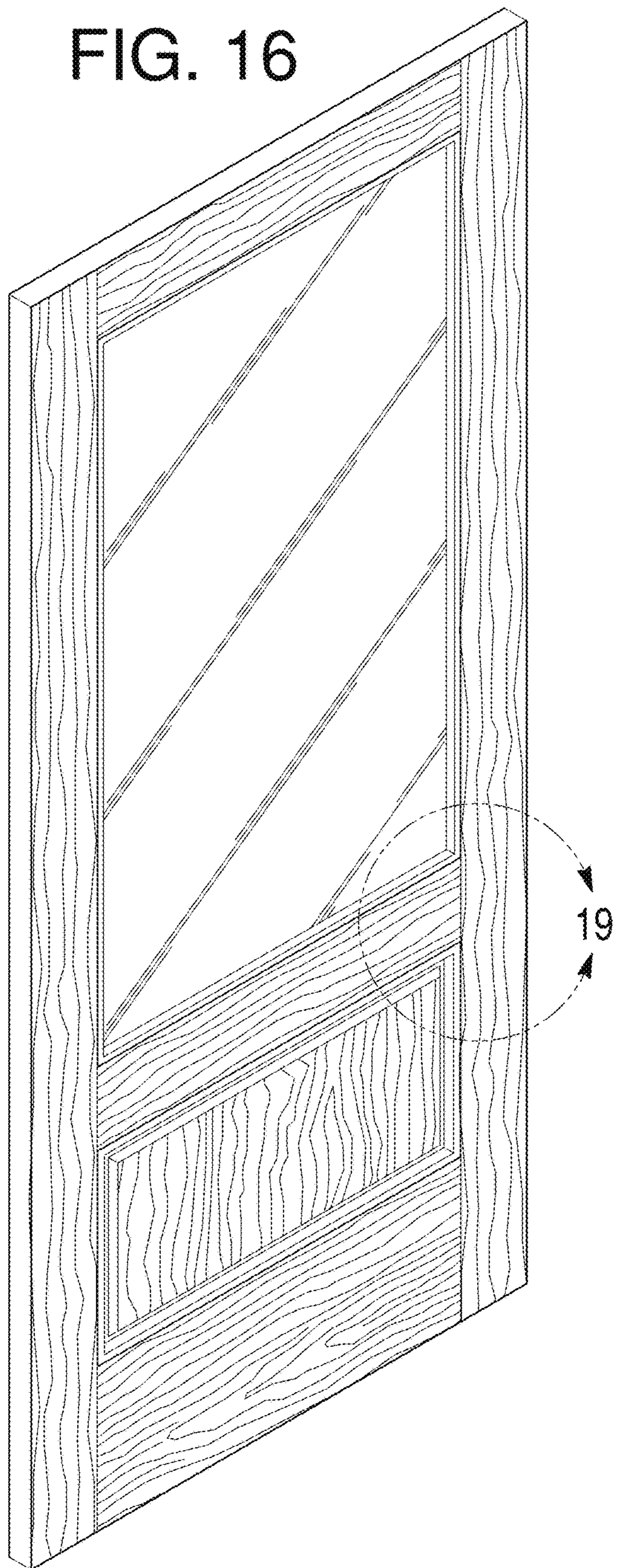


FIG. 17

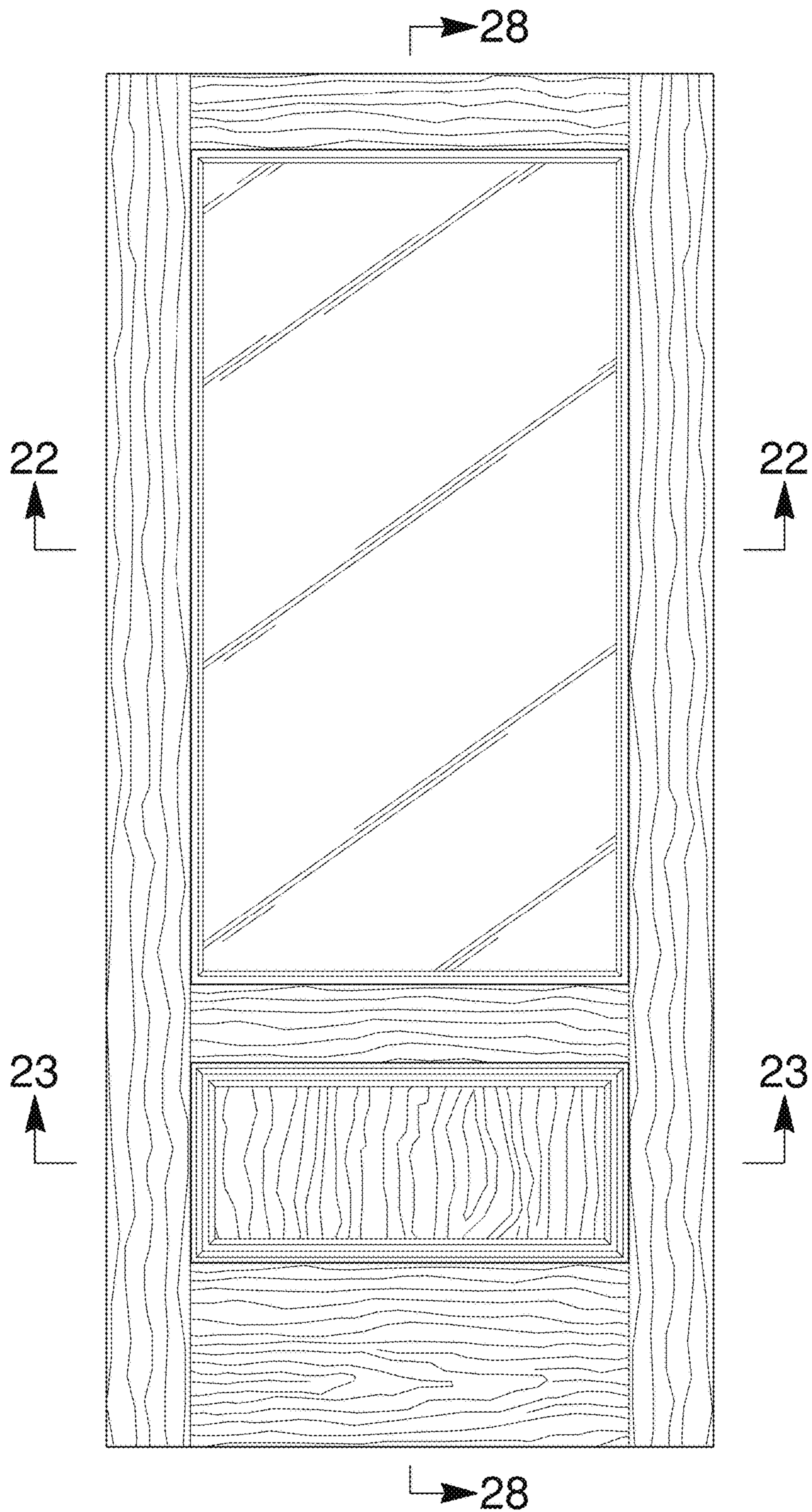


FIG. 18

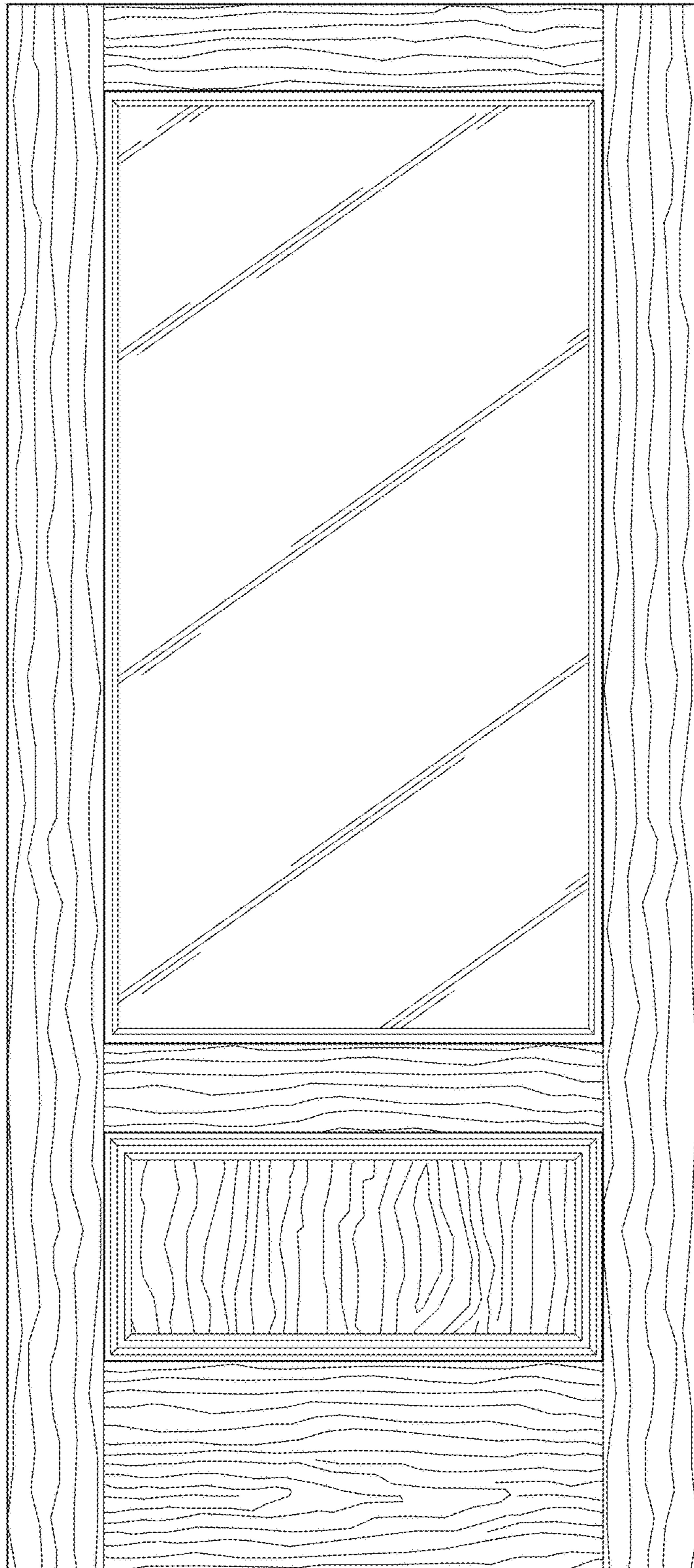


FIG. 19

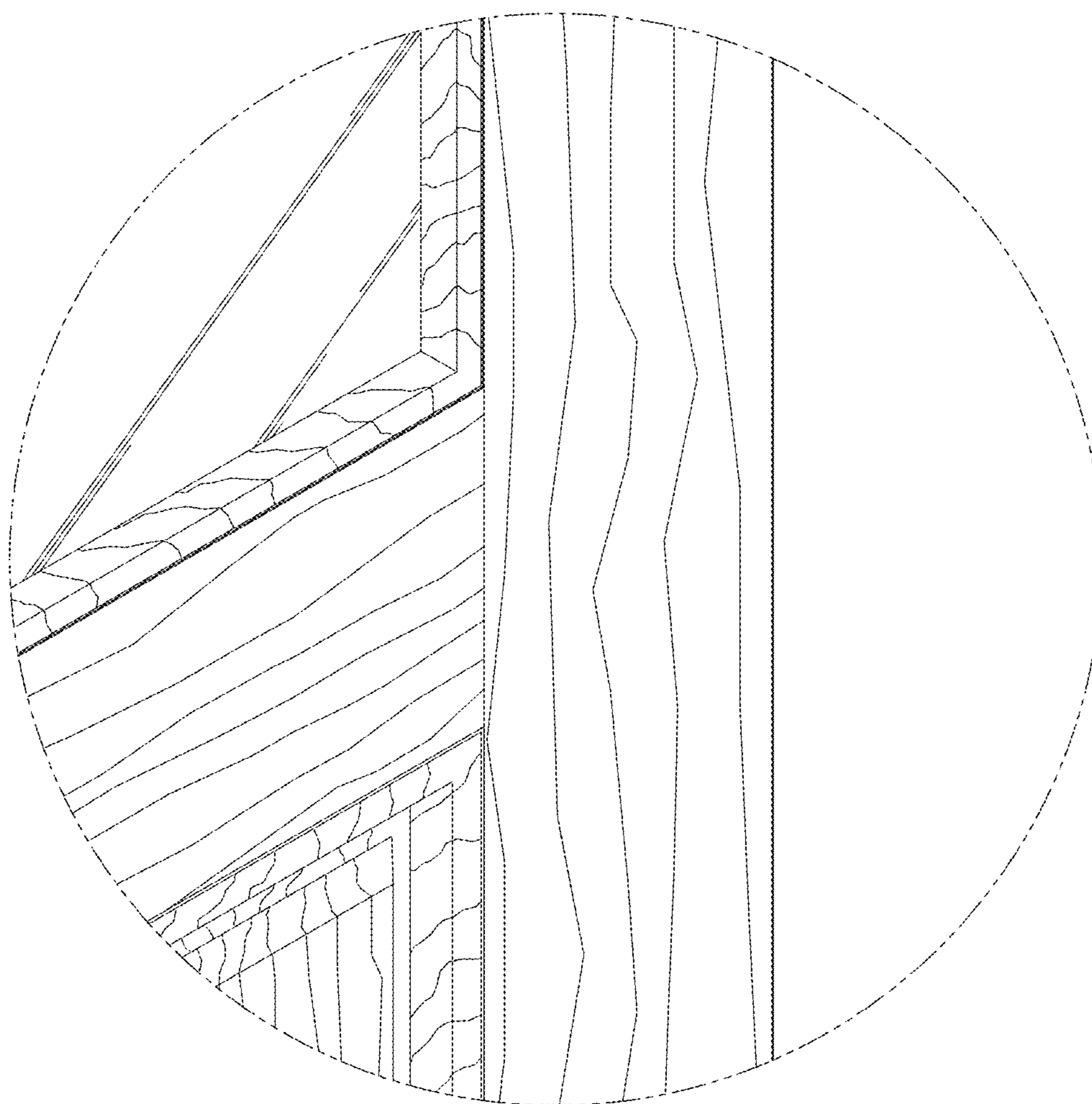


FIG. 20



FIG. 21



FIG. 22

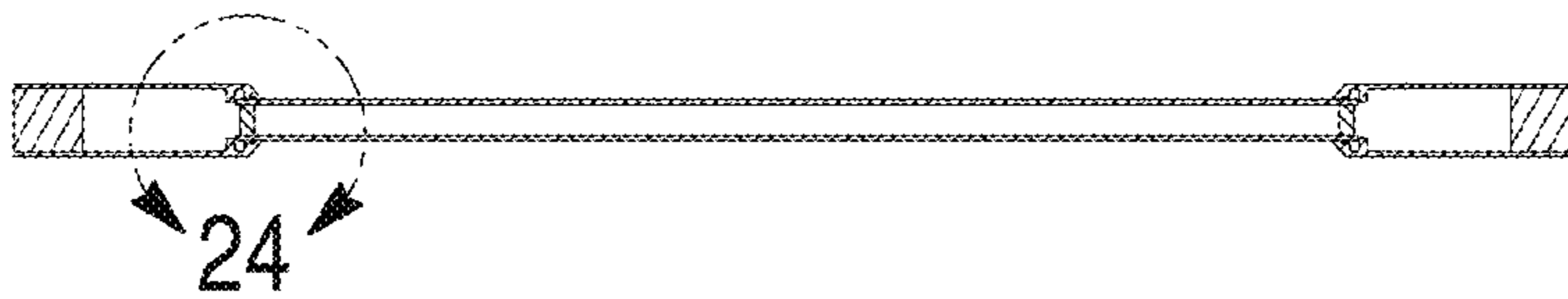
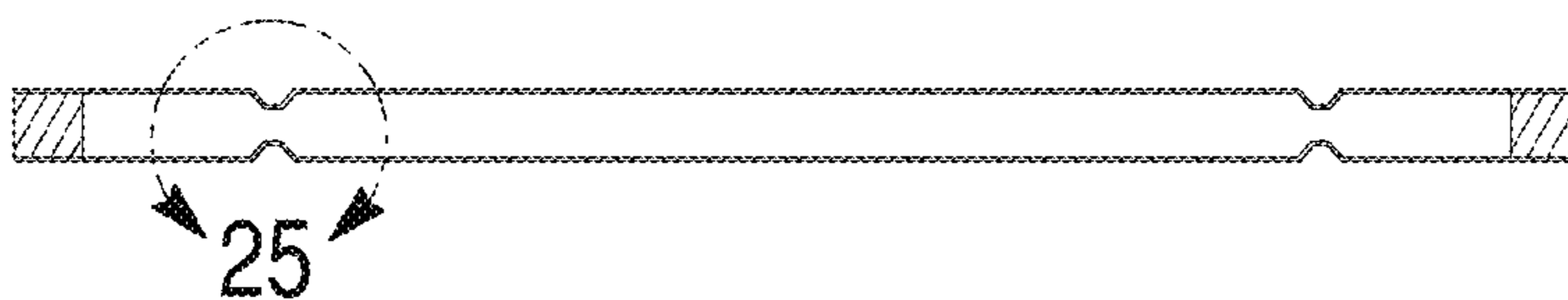


FIG. 23



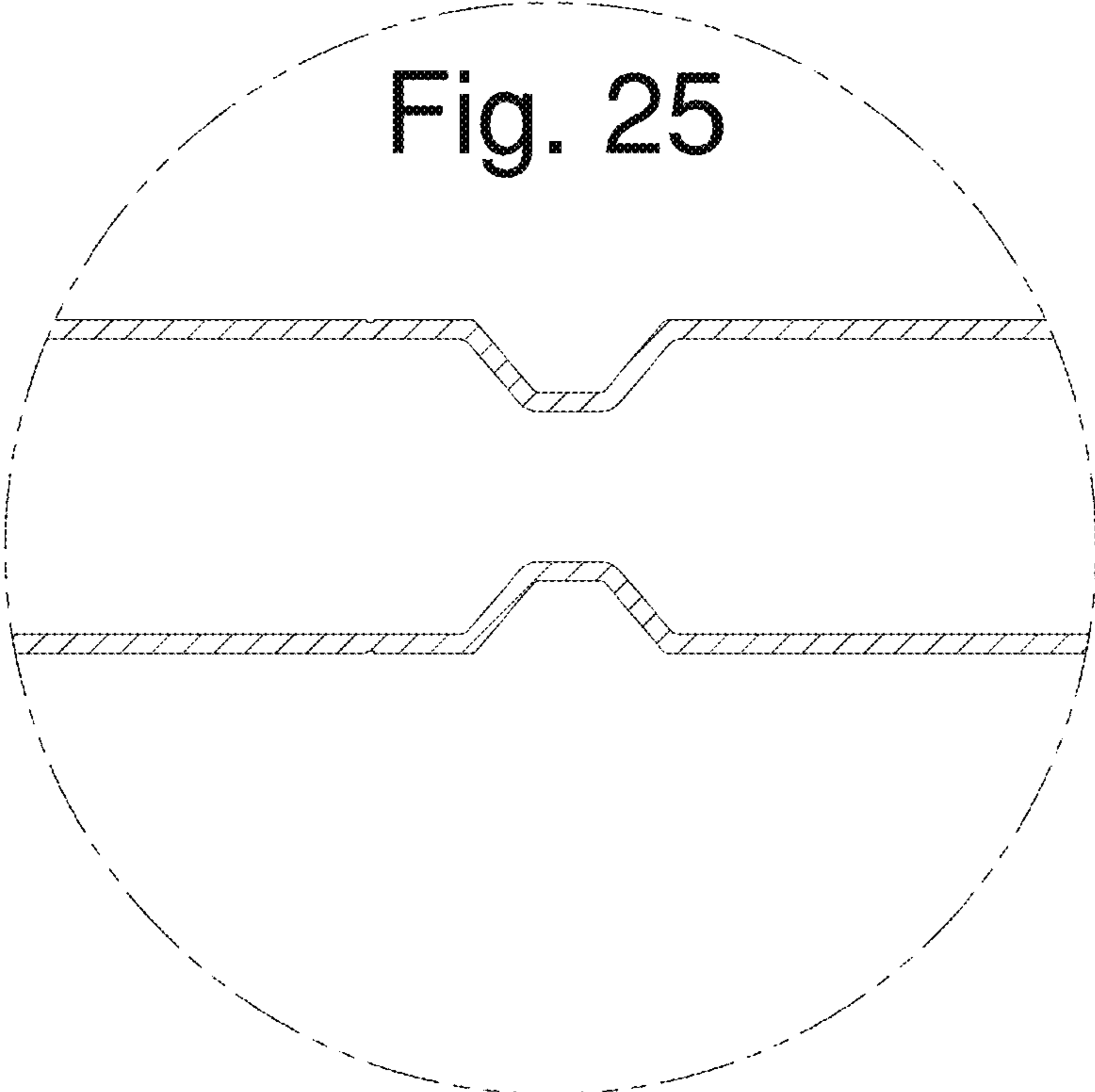
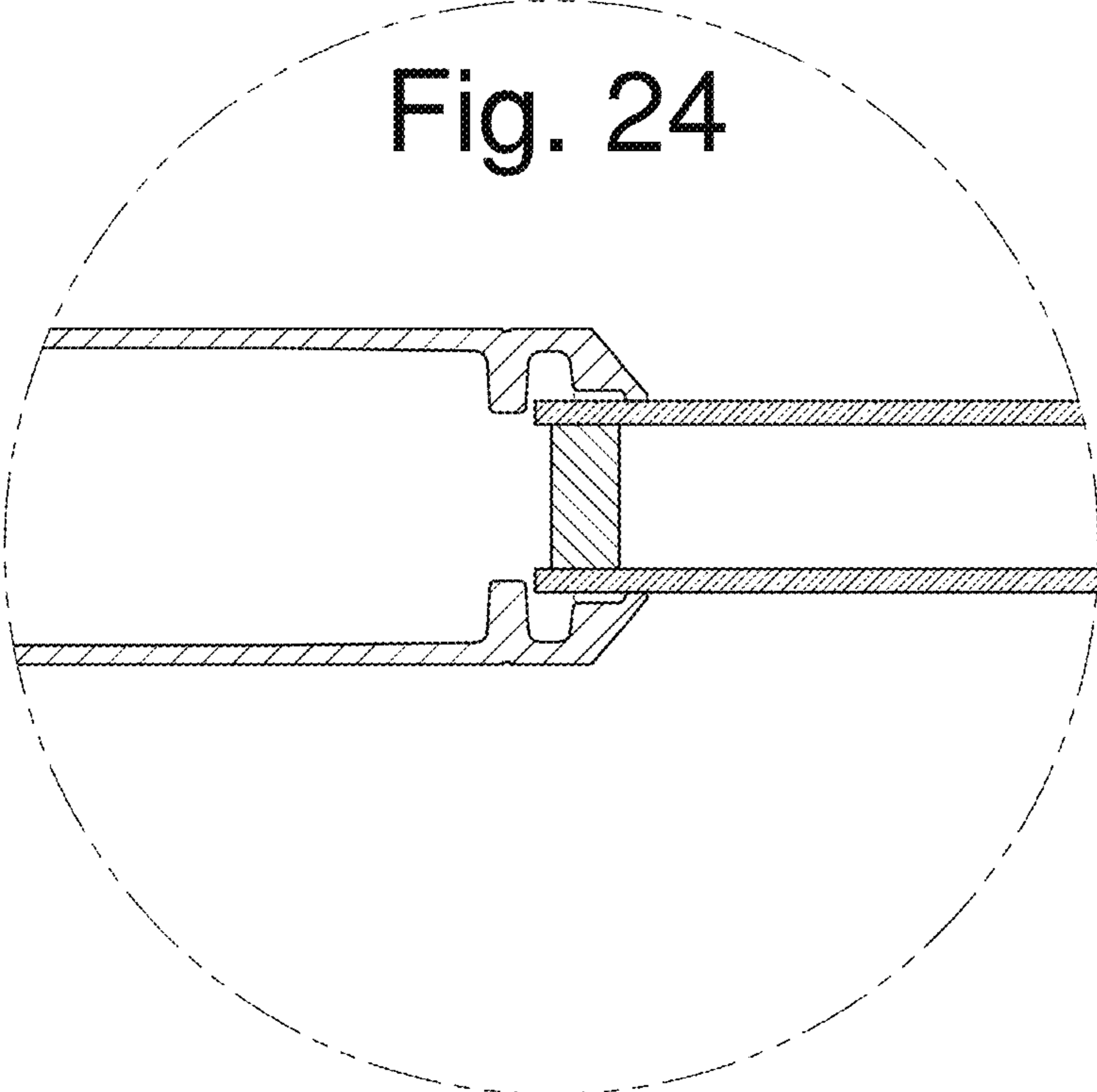


FIG. 26

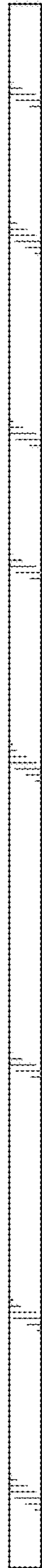
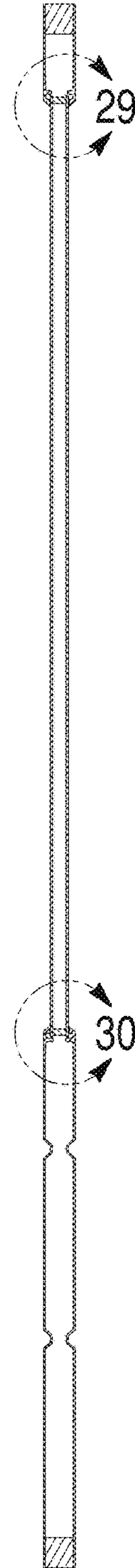


FIG. 27



FIG. 28



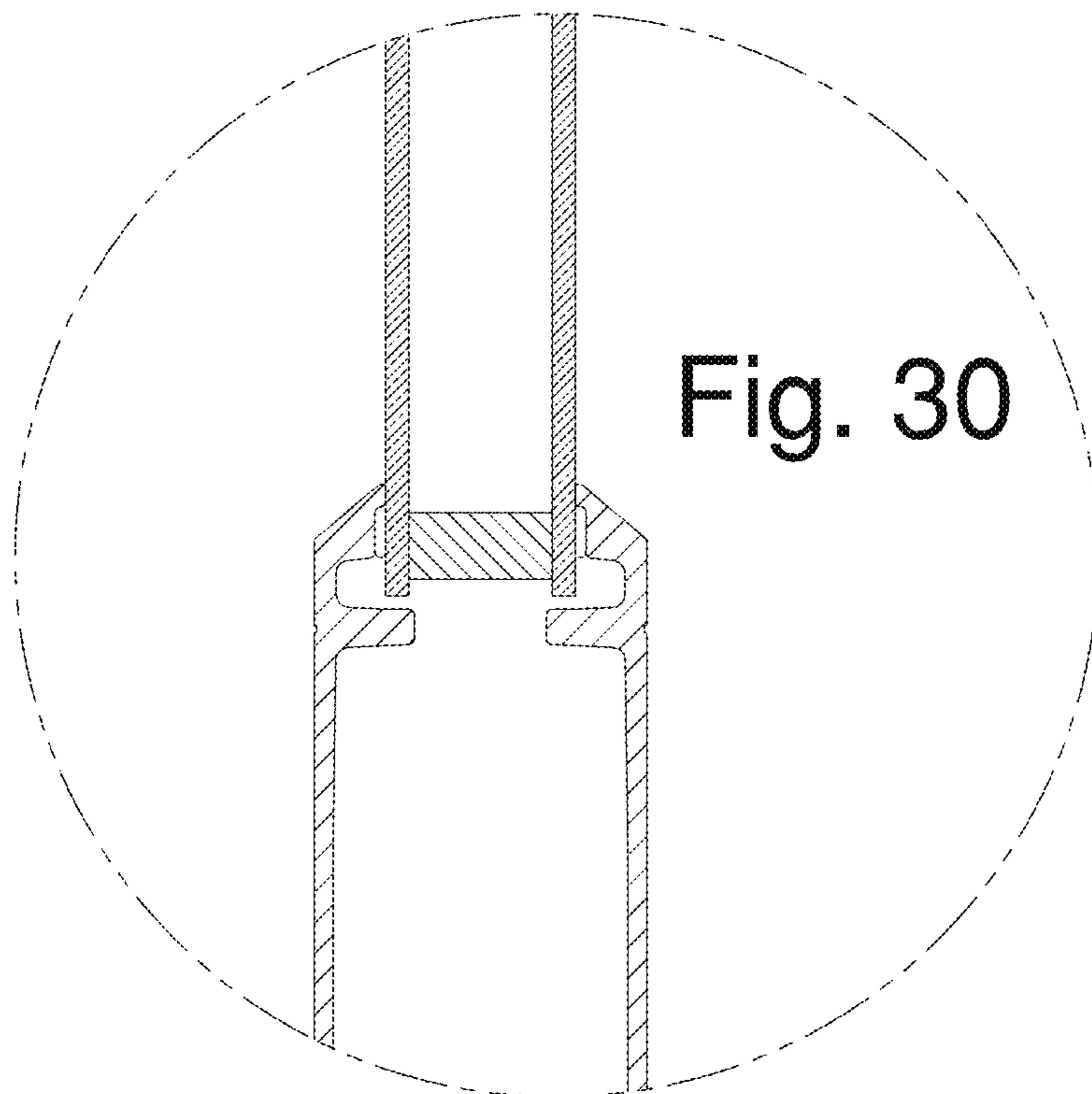
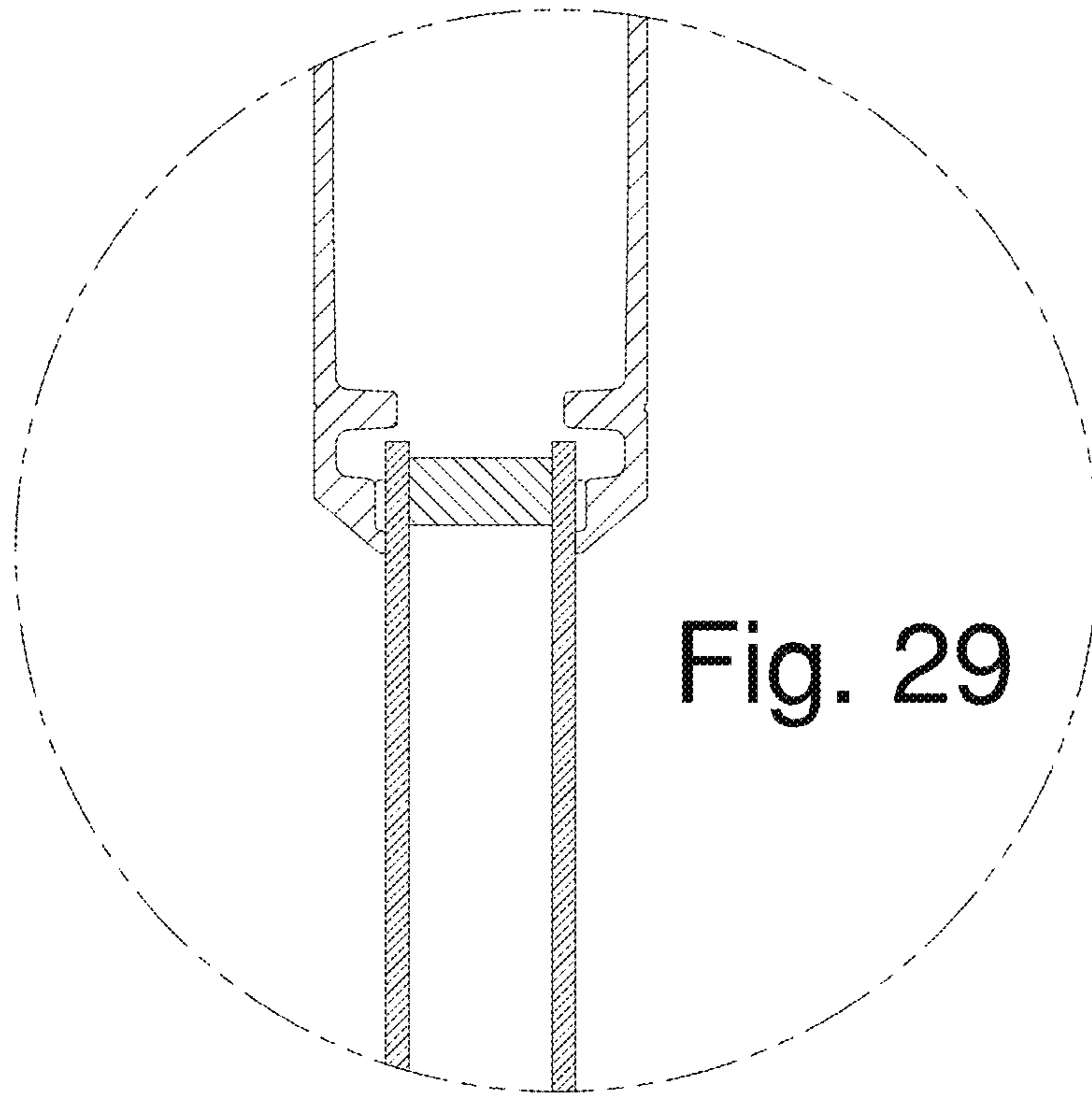


FIG.31

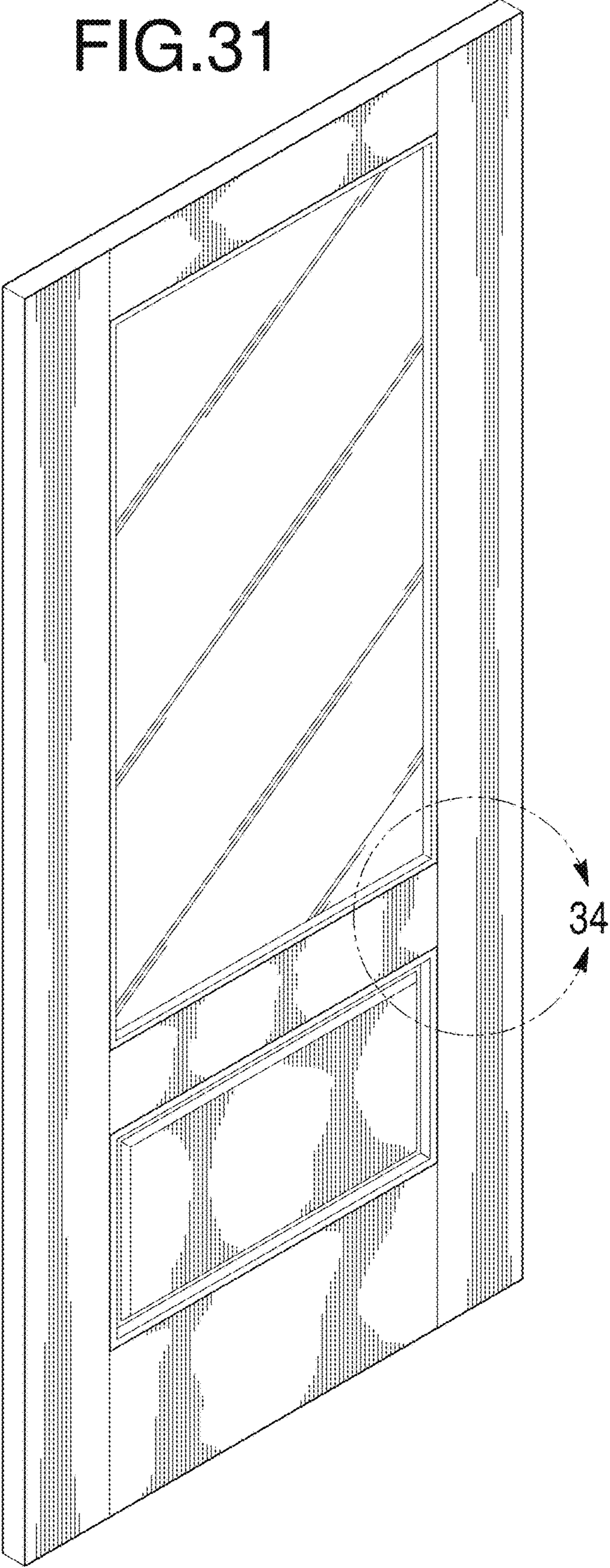


FIG. 32

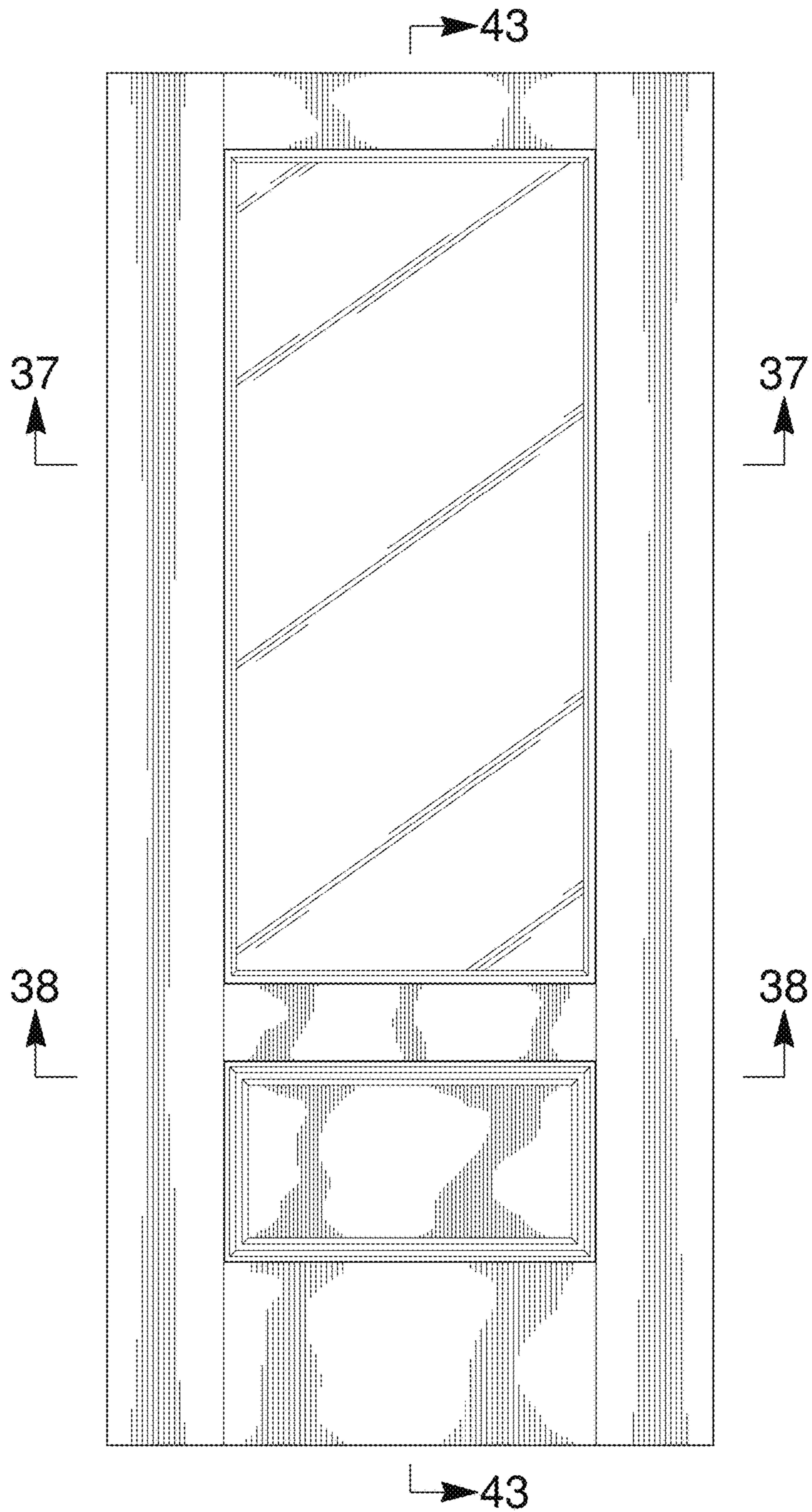


FIG. 33

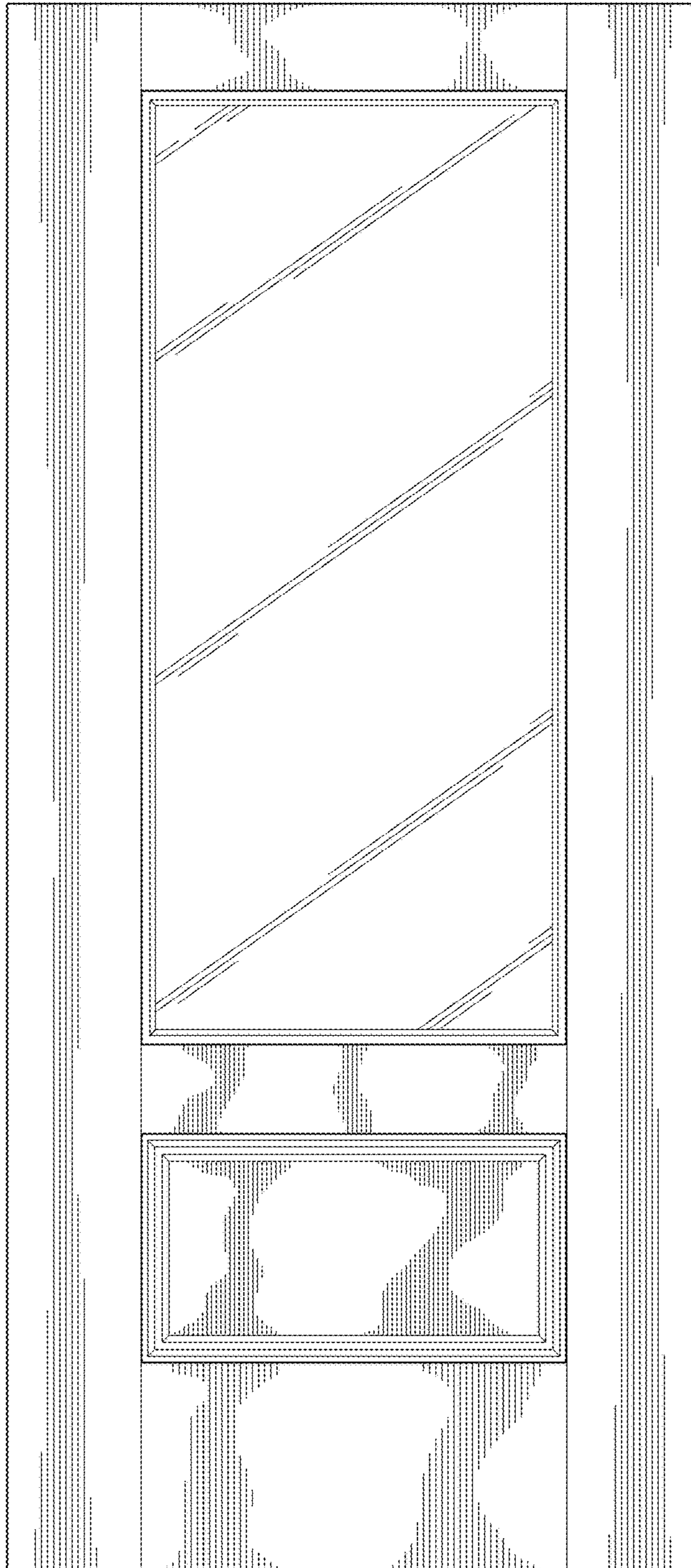


FIG. 34

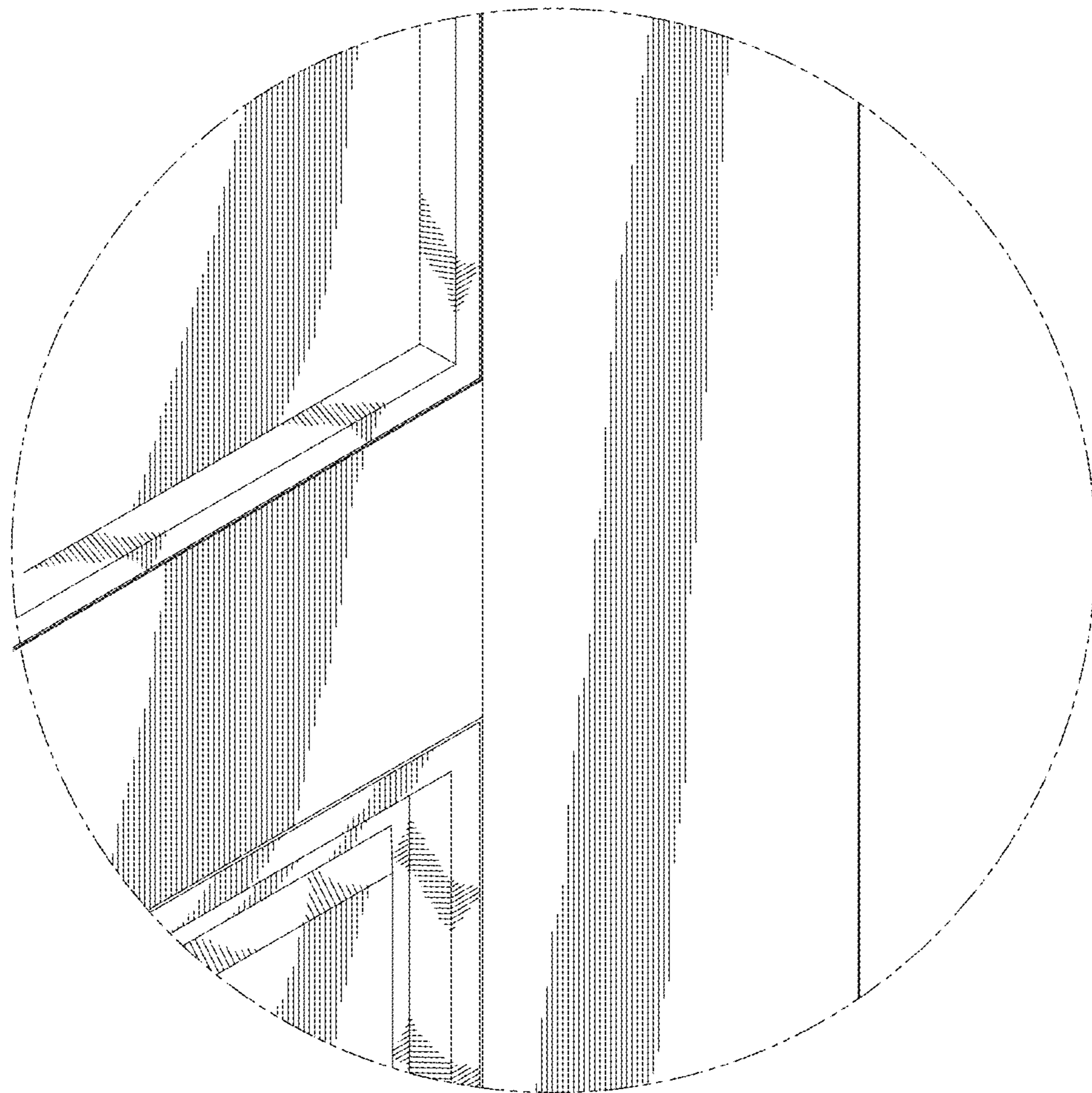


FIG. 35



FIG. 36



FIG. 37

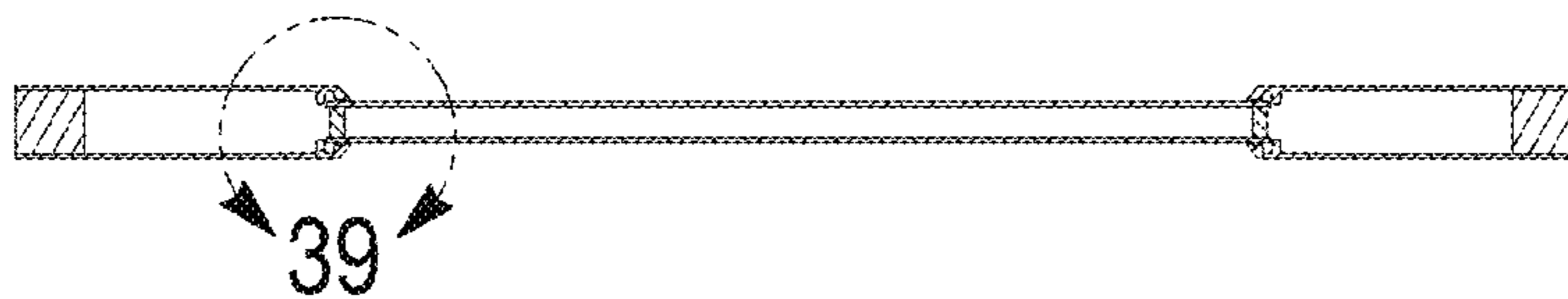
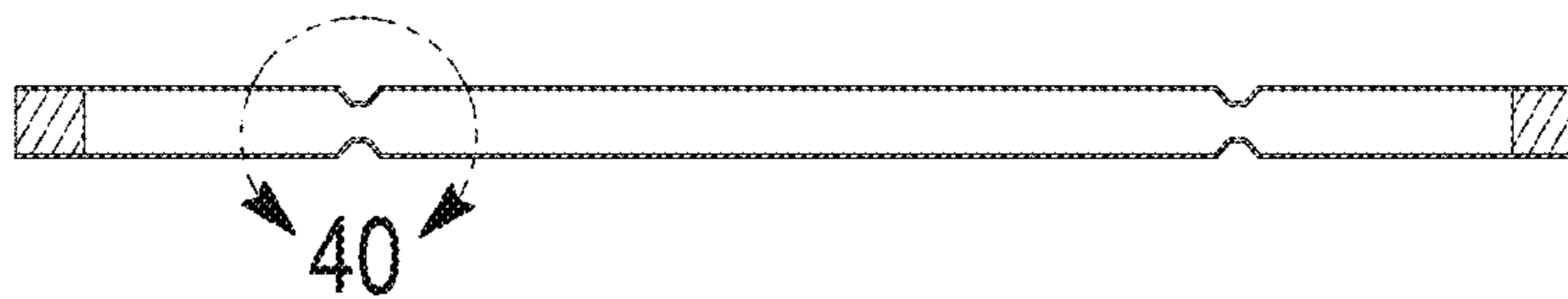


FIG. 38



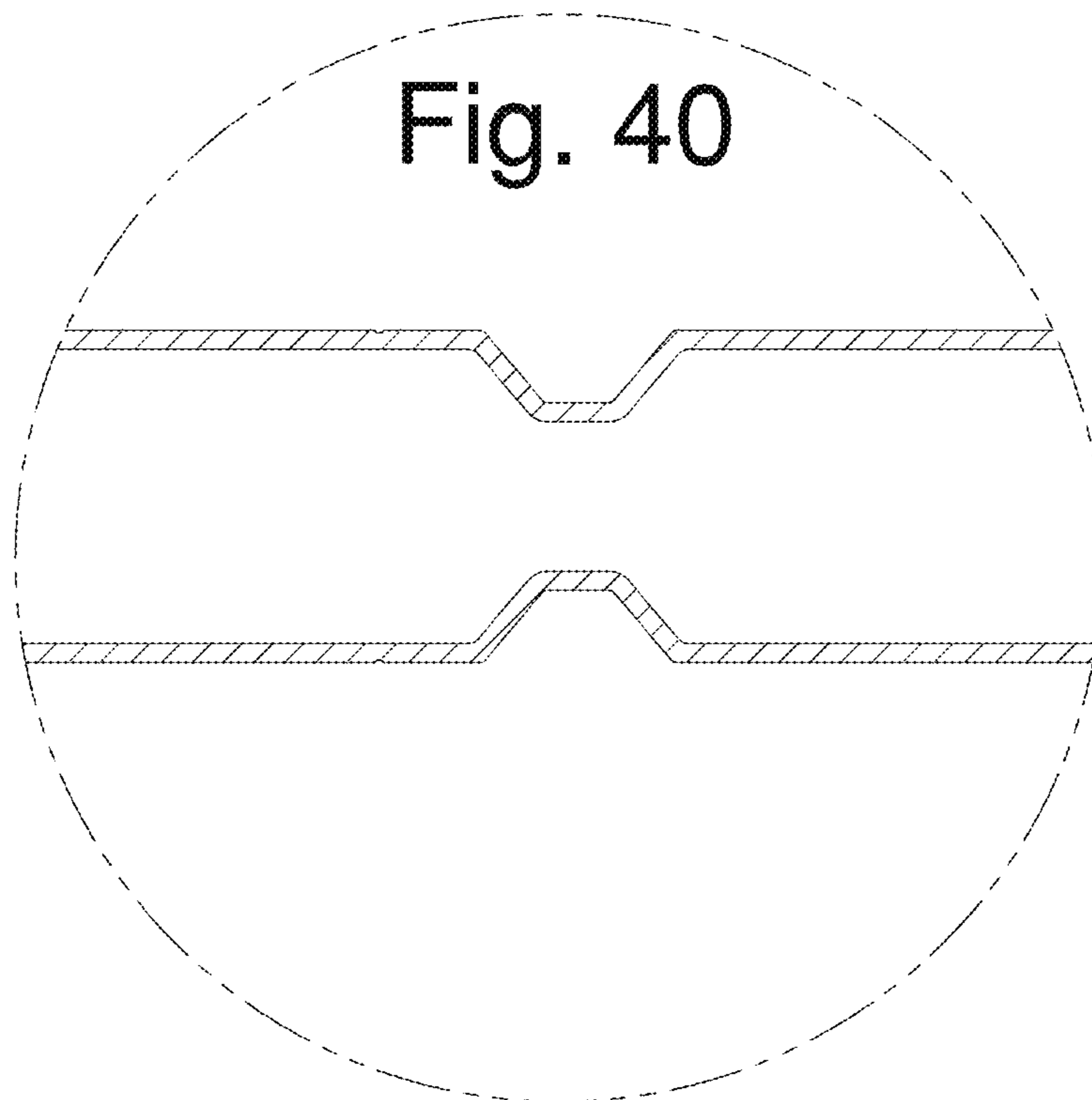
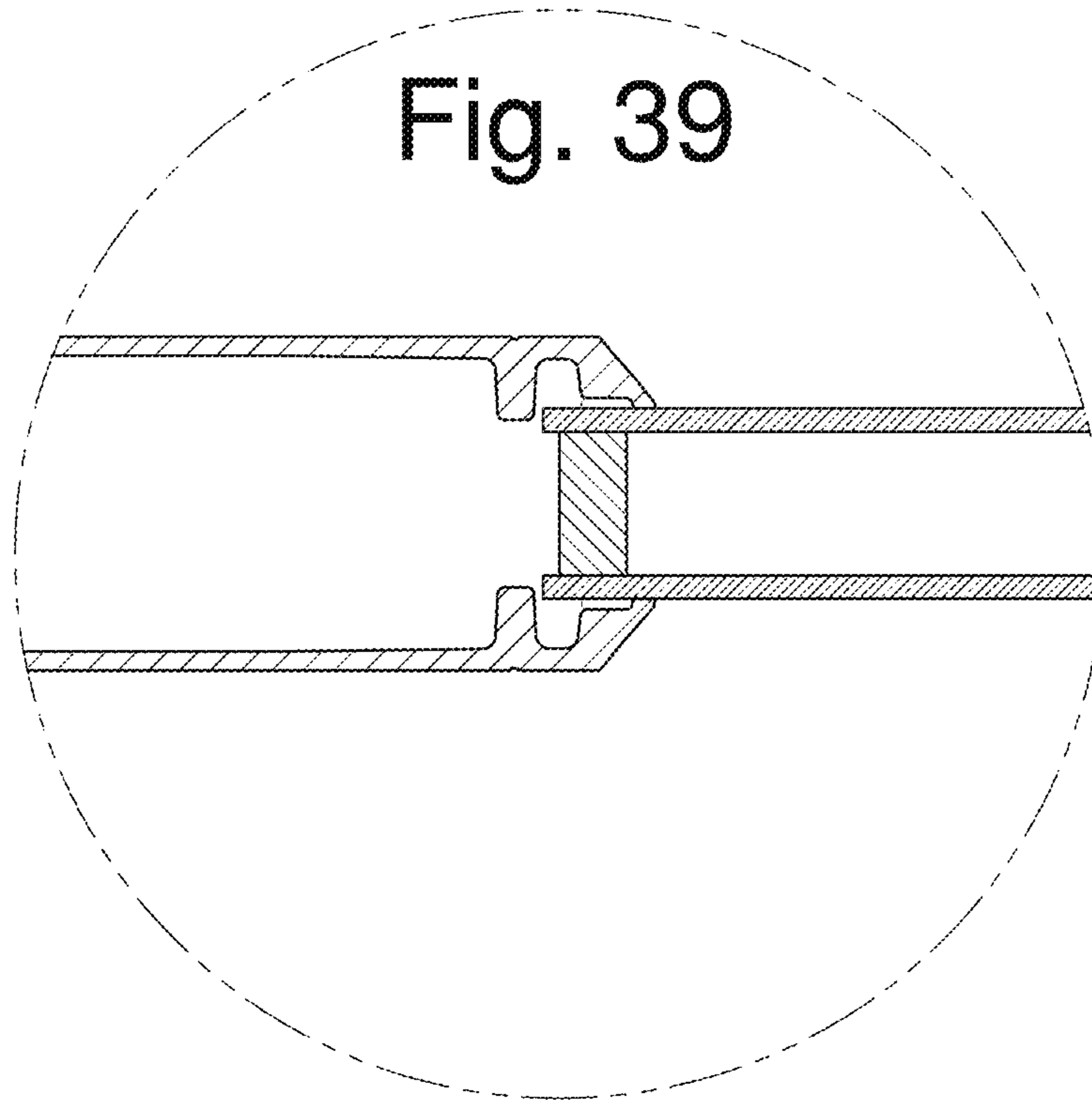


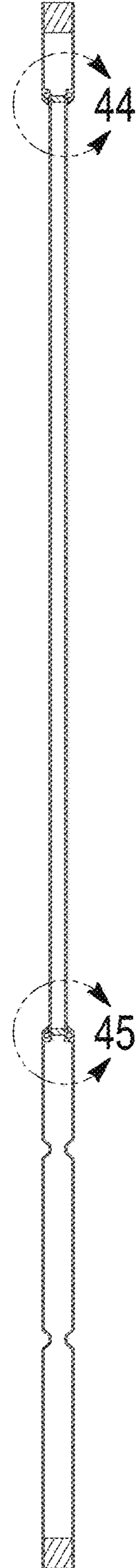
FIG. 41



FIG. 42



FIG. 43



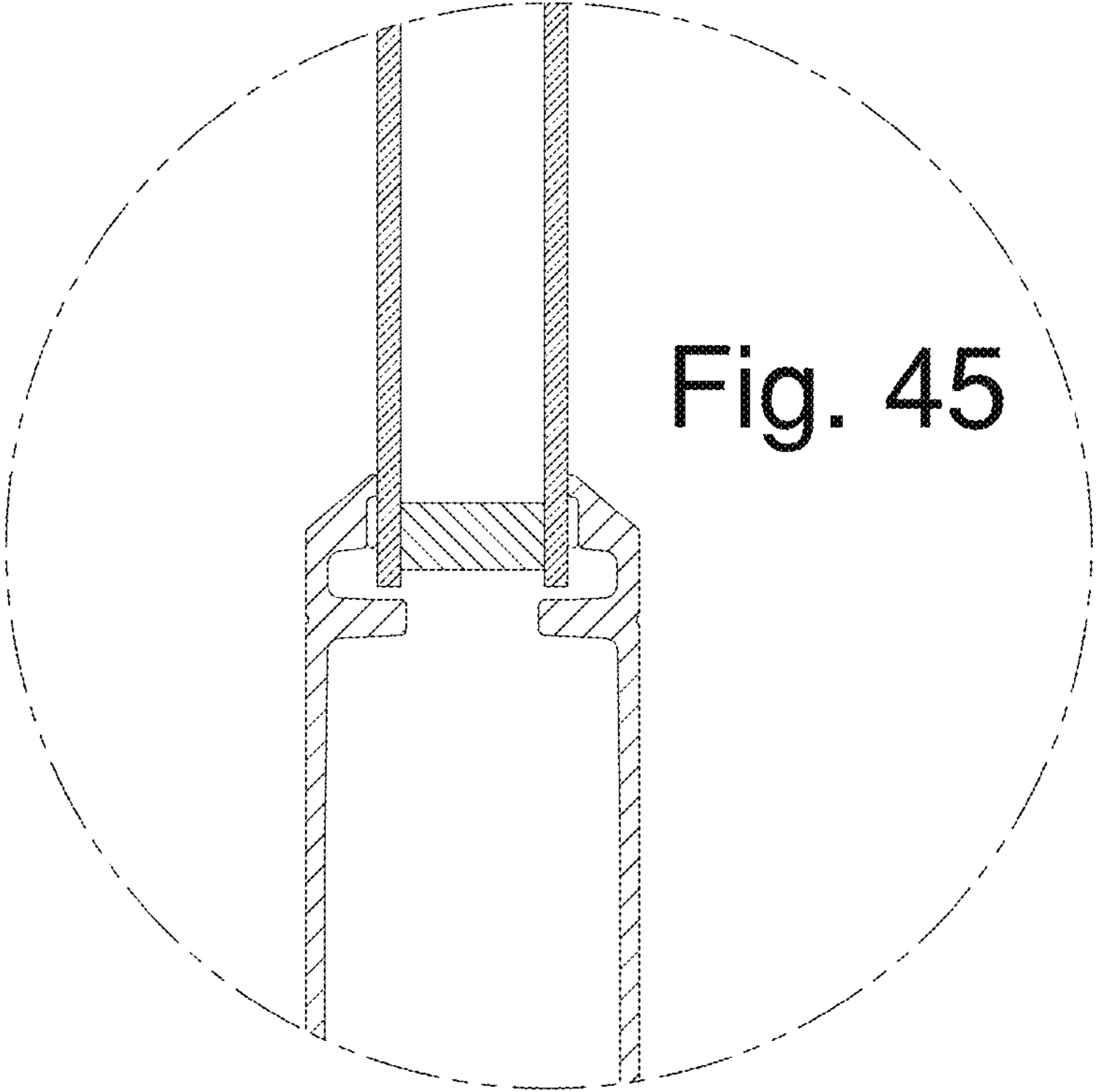
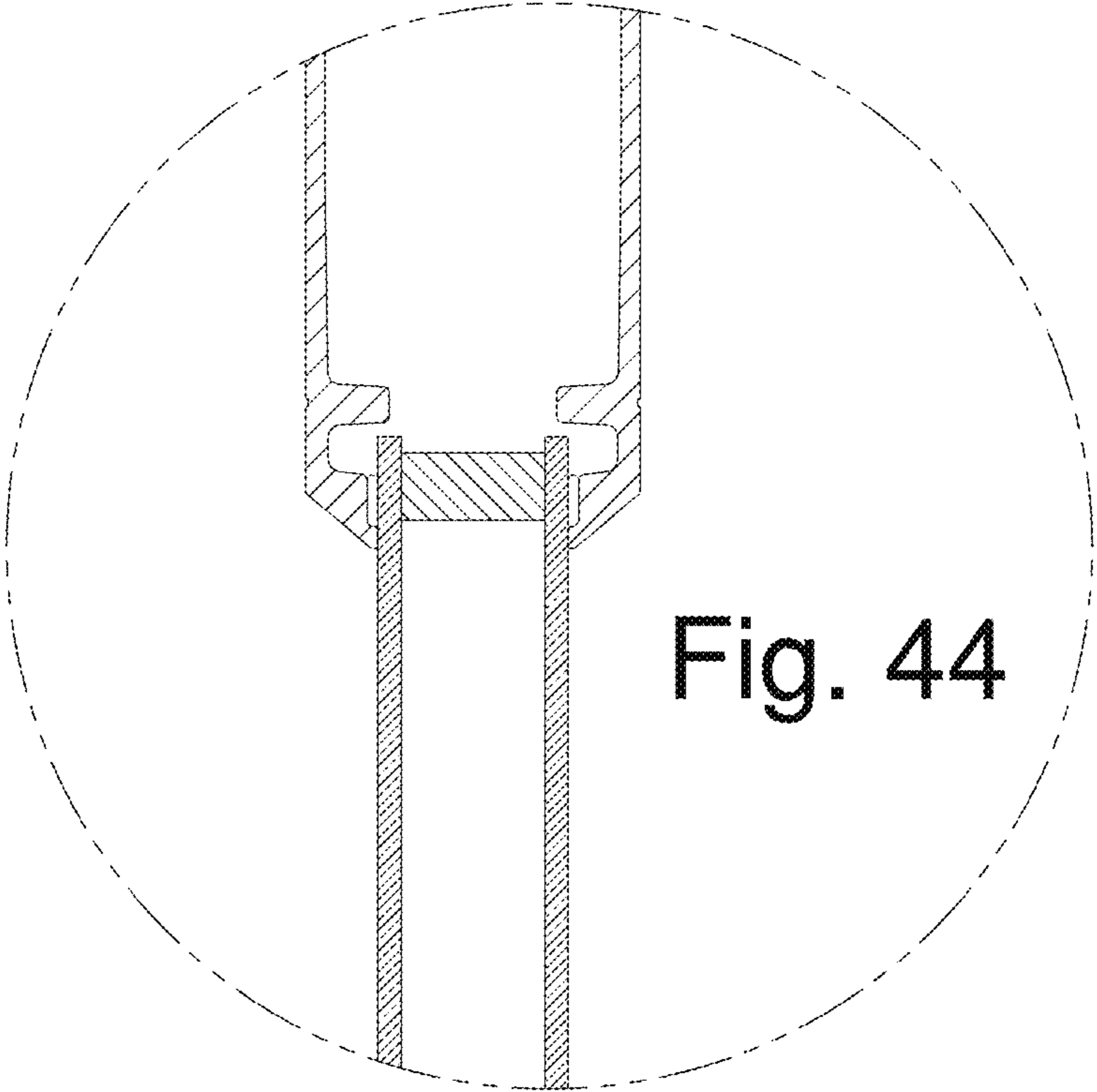


FIG. 46

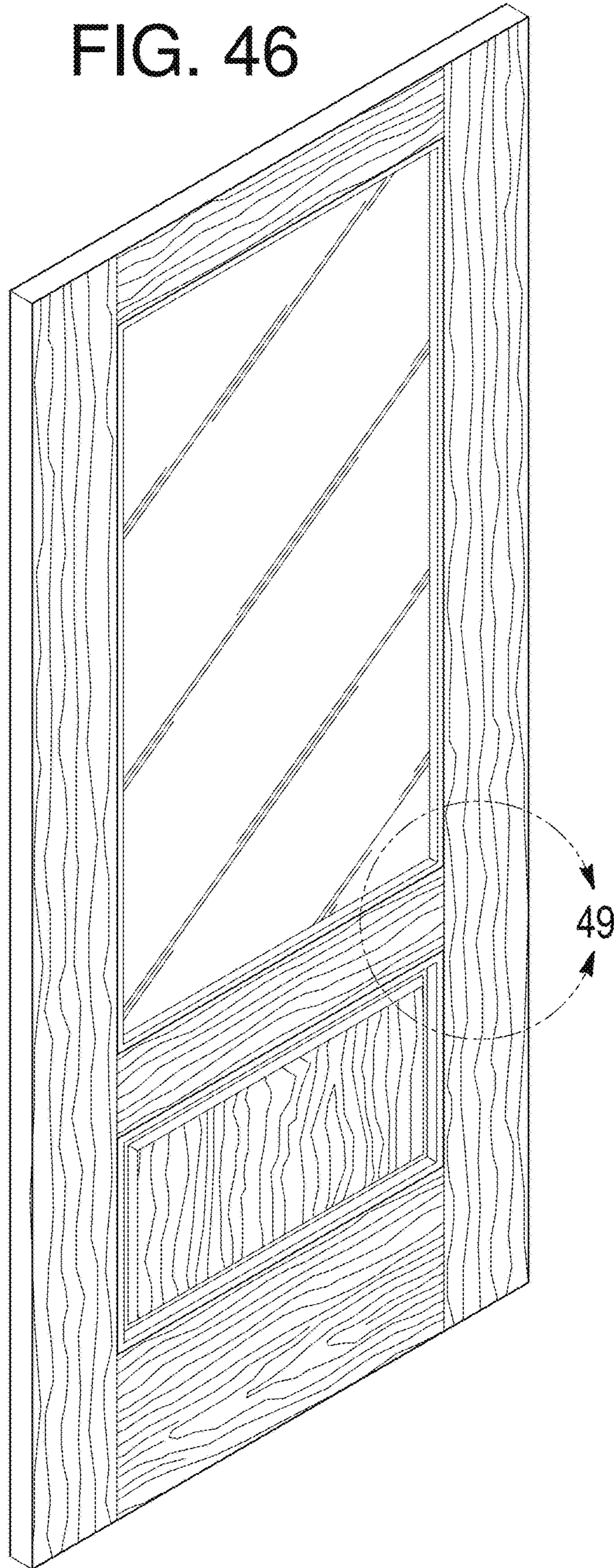


FIG. 47

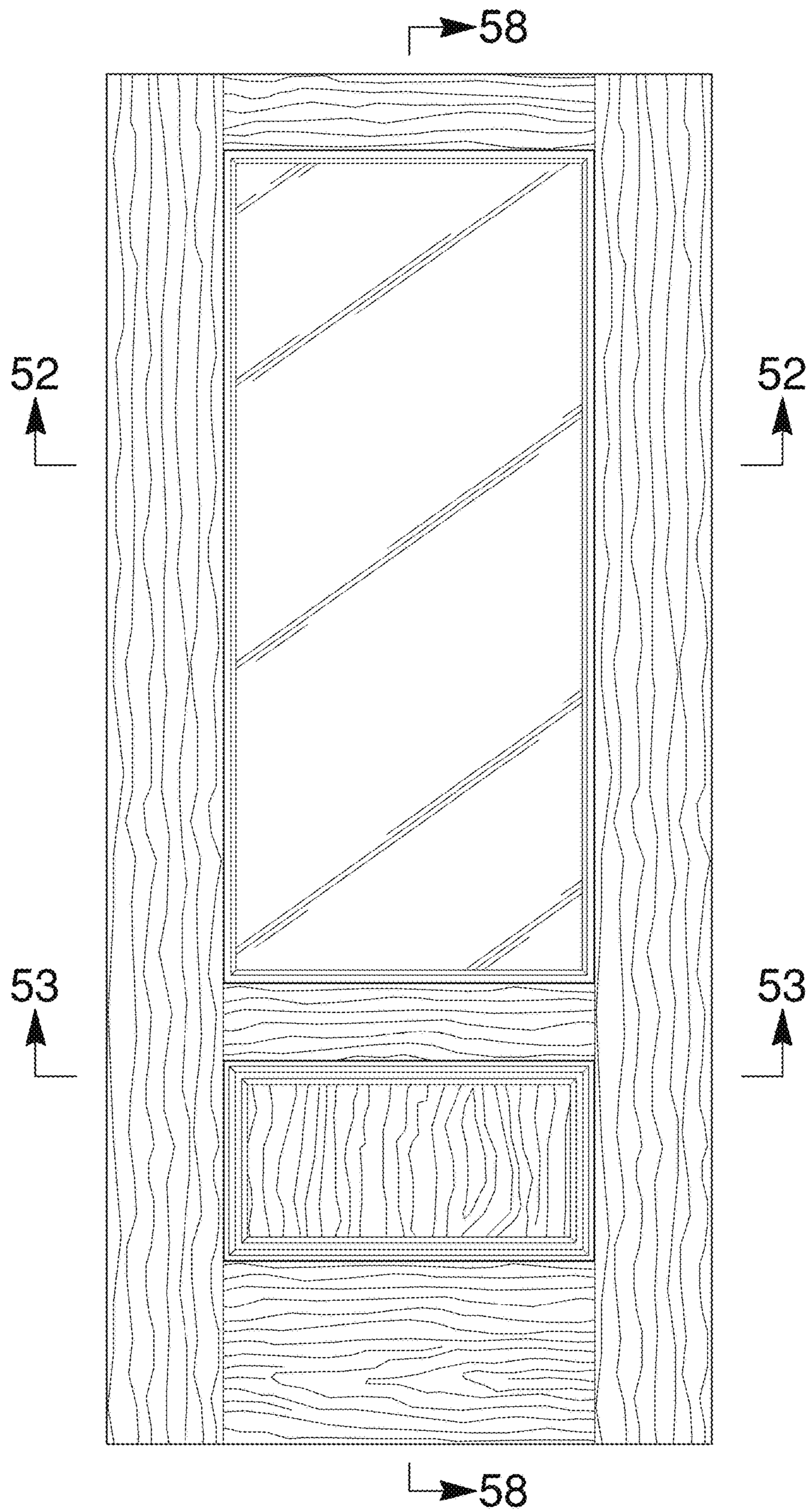


FIG. 48

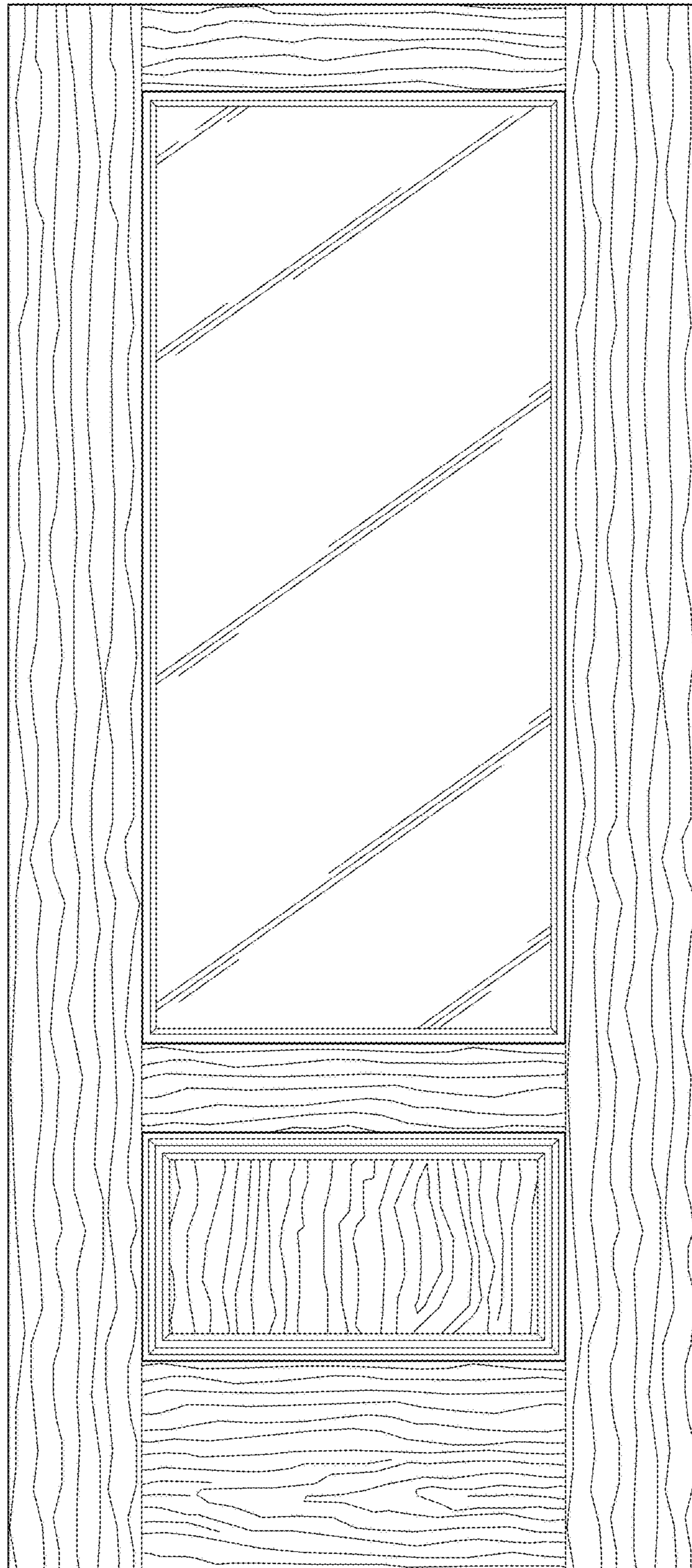


FIG. 49

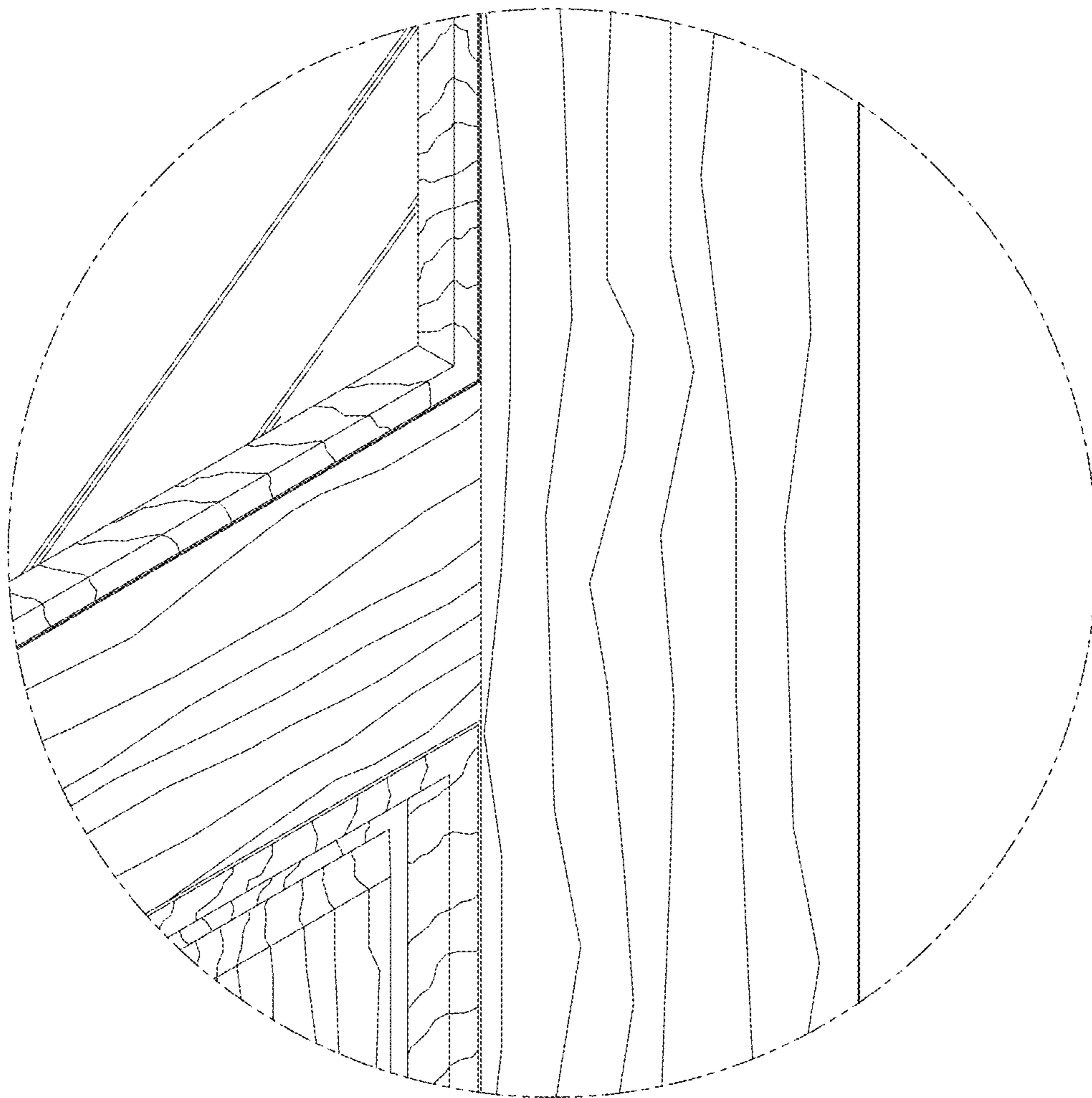


FIG. 50



FIG. 51

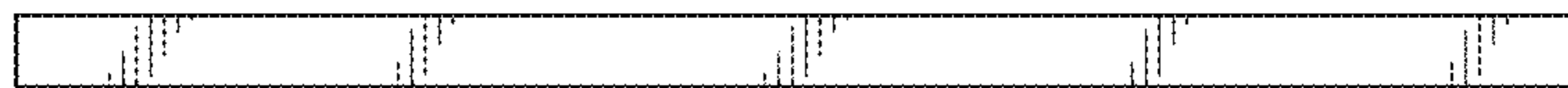


FIG. 52

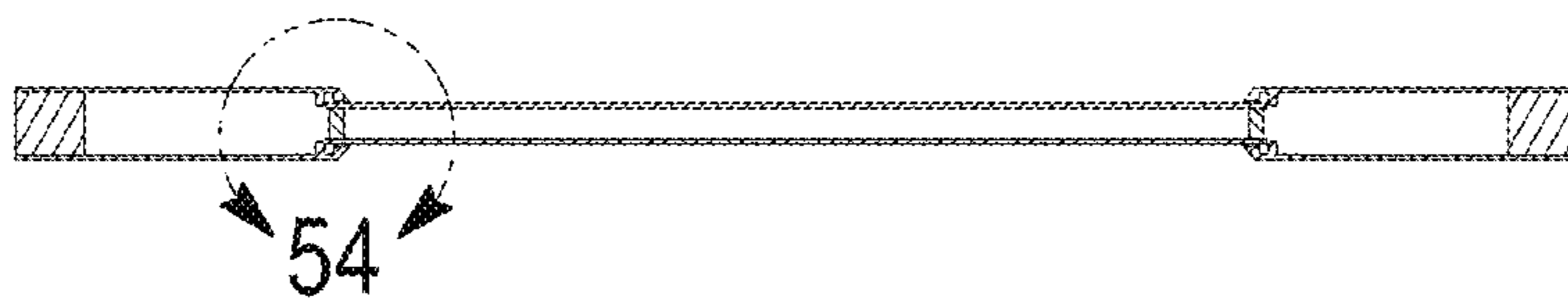
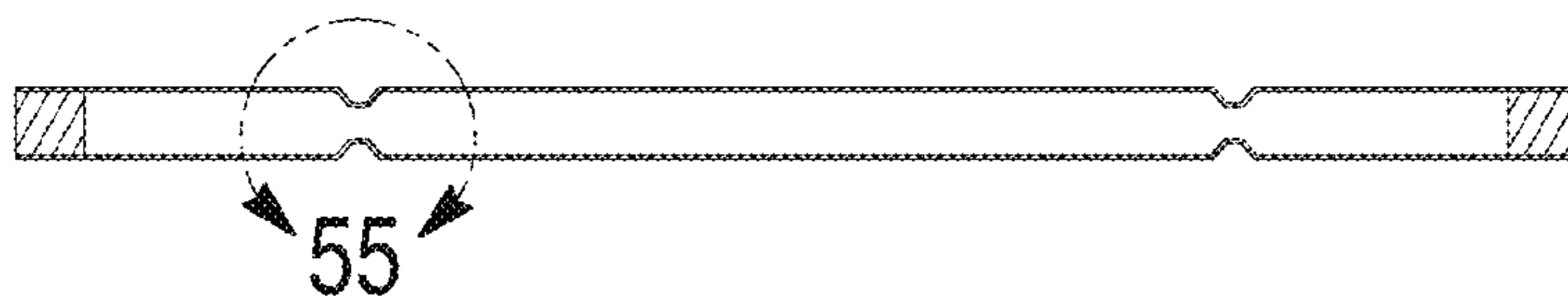


FIG. 53



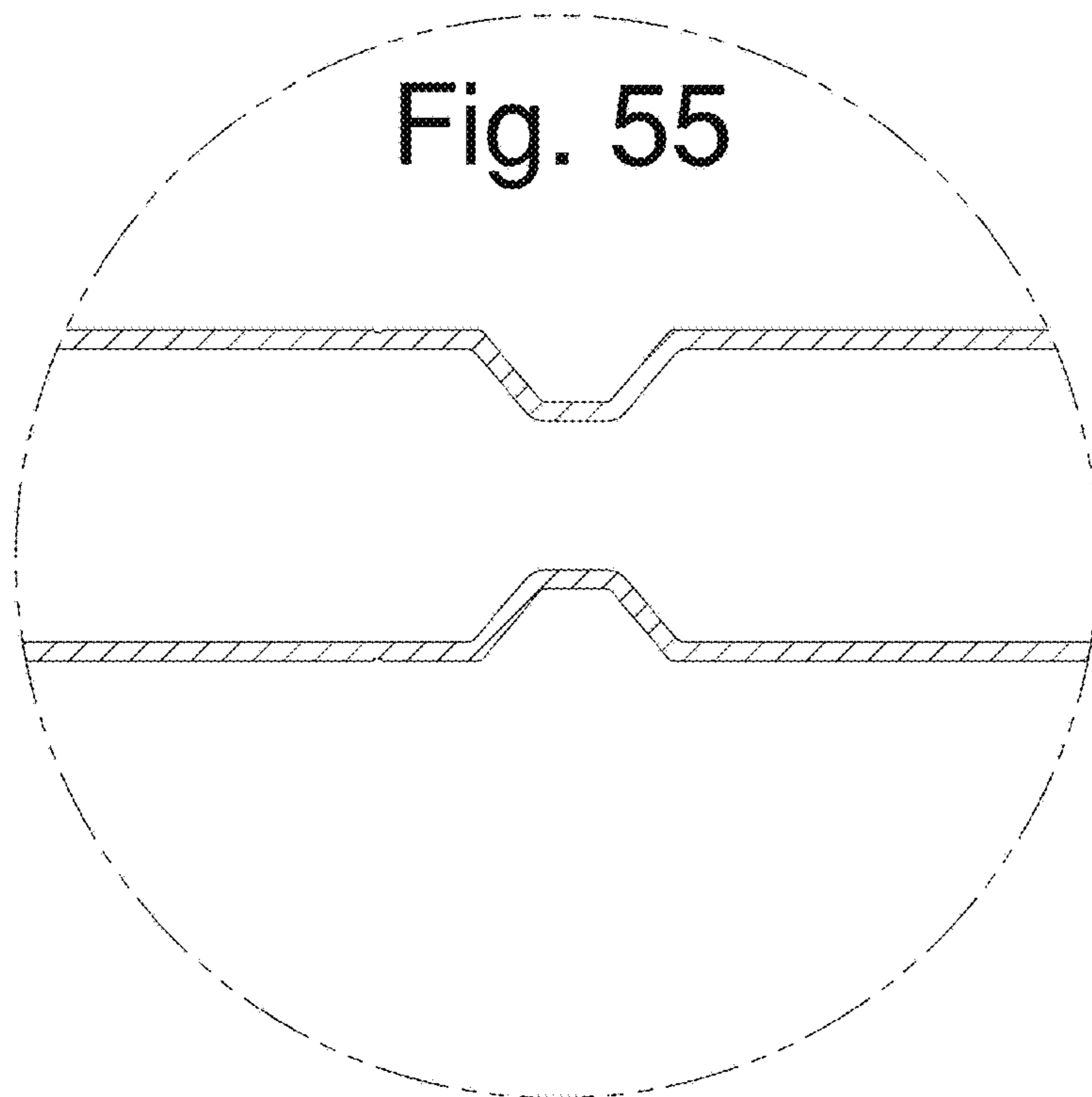
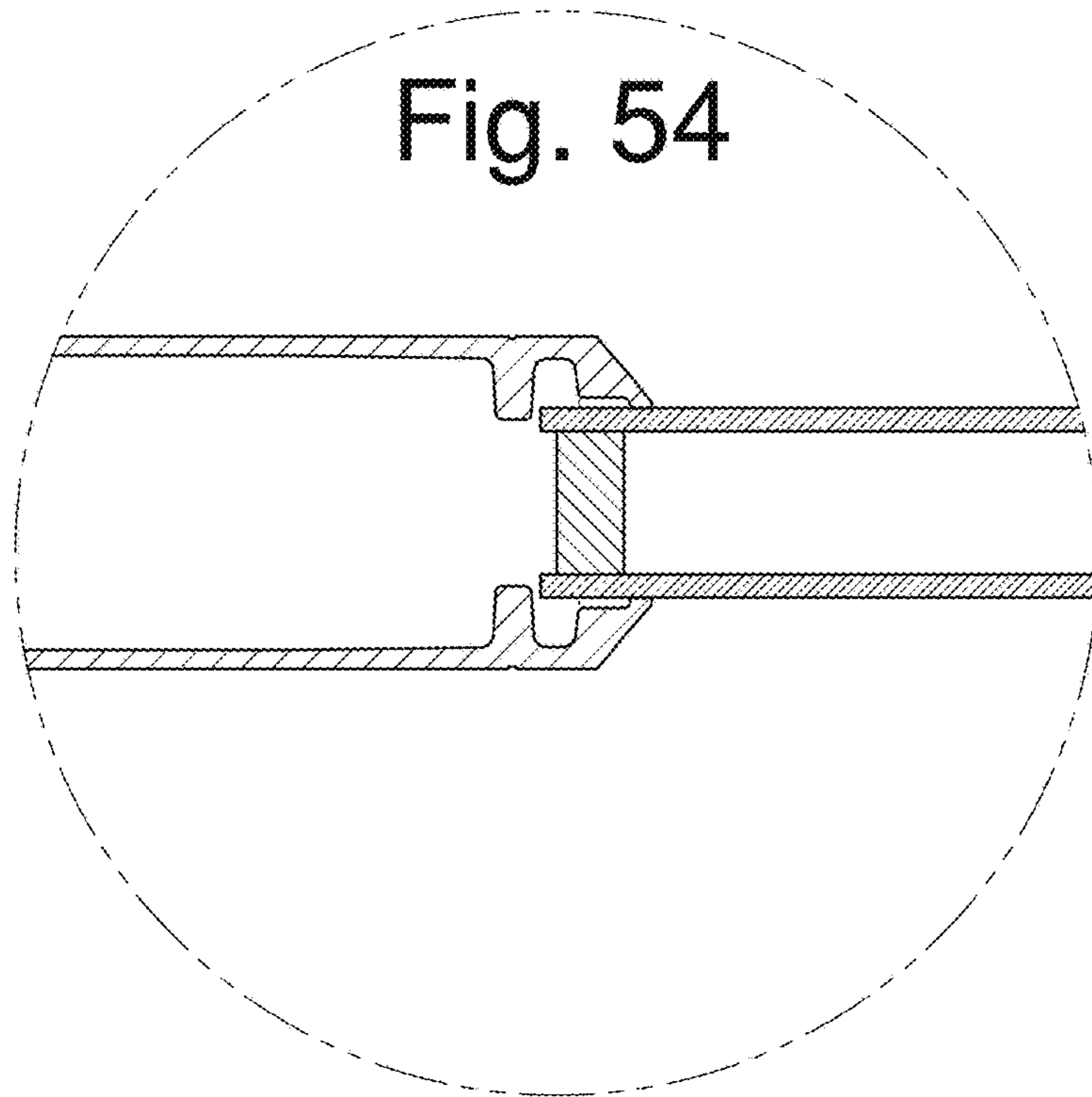


FIG. 56



FIG. 57

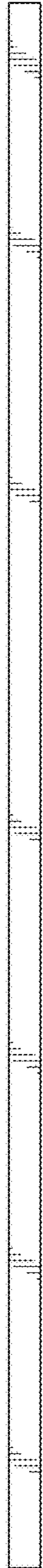


FIG. 58

