



US00D812772S

(12) **United States Design Patent**
Chapman

(10) **Patent No.:** **US D812,772 S**
(45) **Date of Patent:** **** Mar. 13, 2018**

(54) **LOW DAM OUTSWING SILL CAP**

(71) Applicant: **Global Products International Group, LLC**, Atlanta, GA (US)
(72) Inventor: **G. Paul Chapman**, Cumming, GA (US)
(73) Assignee: **Global Products International Group, LLC**, Atlanta, GA (US)

(**) Term: **15 Years**

(21) Appl. No.: **29/588,540**

(22) Filed: **Dec. 21, 2016**

(51) **LOC (11) Cl.** **25-02**

(52) **U.S. Cl.**
USPC **D25/48.2**

(58) **Field of Classification Search**
USPC D25/48.2, 48.3, 60, 119, 124, 125, 136, 164, 199; 49/407, 411, 467-471, 49/475.1
CPC E06B 1/70; E06B 7/2314; E06B 2001/707; E06B 3/9632
See application file for complete search history.

(56) **References Cited**

U.S. PATENT DOCUMENTS

3,382,617	A *	5/1968	St Aubin	E06B 1/70 49/468
3,900,967	A	8/1975	Bursk et al.		
5,018,307	A	5/1991	Burrous et al.		
D354,572	S	1/1995	Headrick		
5,426,894	A	6/1995	Headrick		
5,588,266	A	12/1996	Headrick		
5,611,173	A	3/1997	Headrick et al.		
5,943,825	A	8/1999	Procton et al.		
6,216,395	B1	4/2001	Kelly		

(Continued)

FOREIGN PATENT DOCUMENTS

CN 301532090 * 4/2011

OTHER PUBLICATIONS

<http://gpimillworks.com/wp-content/uploads/2017/04/2017-Product-Book-20170403.pdf> Uploaded Apr. 3, 2017.*

Primary Examiner — Susan Bennett Hattan
Assistant Examiner — Leanne Was-Englehart
(74) *Attorney, Agent, or Firm* — Thomas|Horstemeyer, LLP

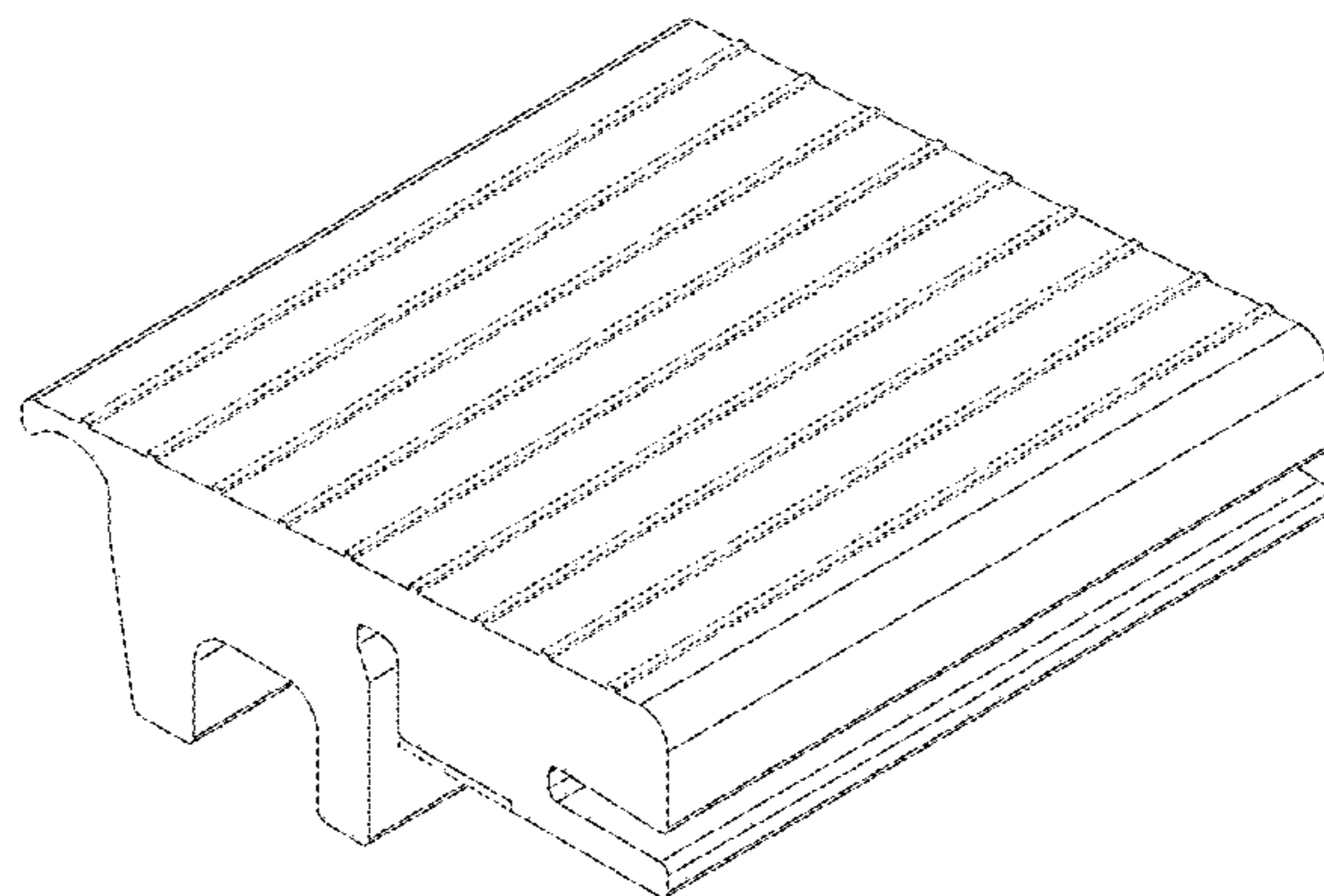
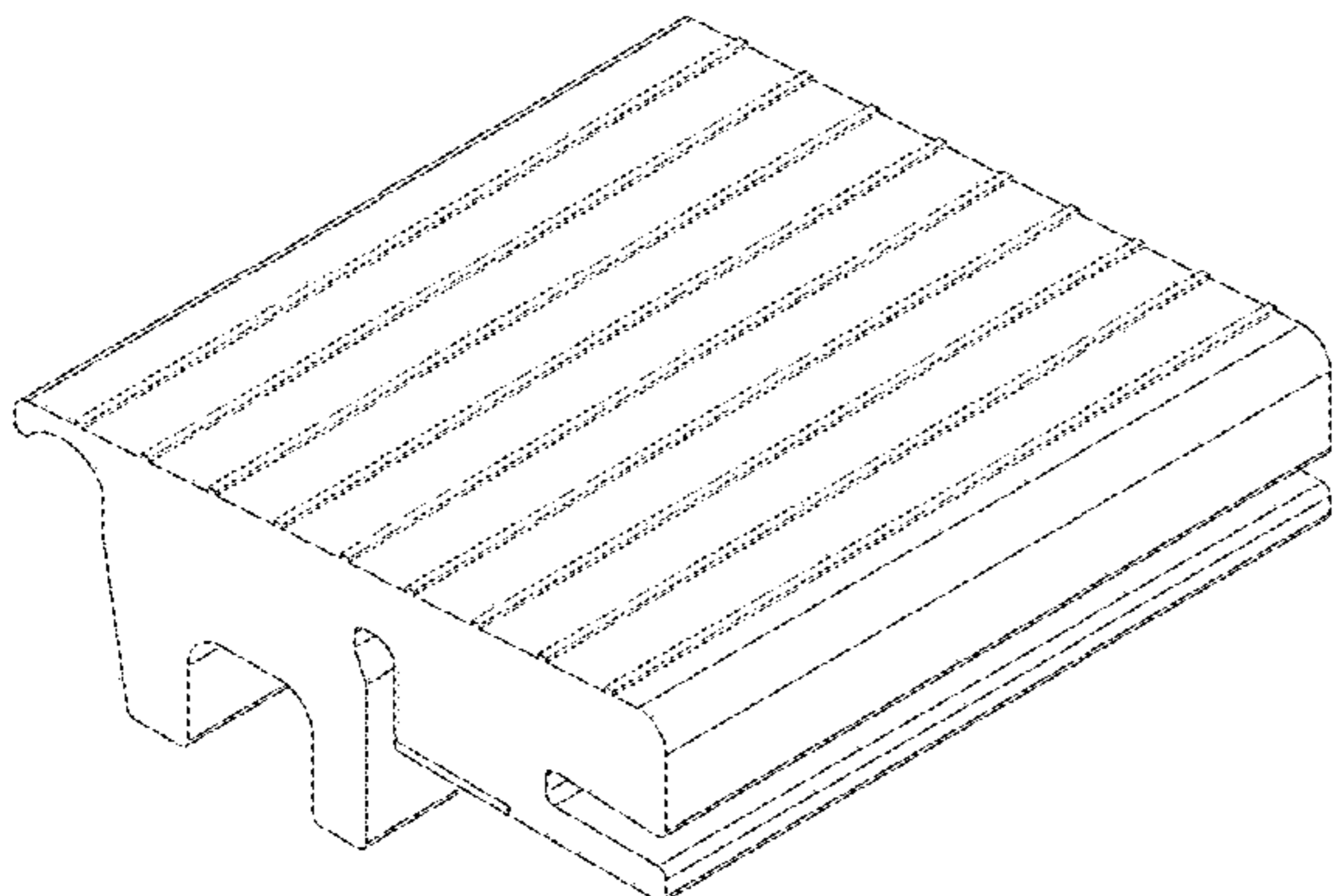
(57) **CLAIM**

The ornamental design for a low dam outswing sill cap, as shown and described.

DESCRIPTION

FIG. 1 is a front upper perspective view of a low dam outswing sill cap according to a first embodiment of the disclosure;
FIG. 2 is a front lower perspective view thereof;
FIG. 3 is a top view thereof;
FIG. 4 is a right side view thereof;
FIG. 5 is a left side view thereof;
FIG. 6 is a bottom view thereof;
FIG. 7 is a front end view thereof;
FIG. 8 is a rear end view thereof from an end opposite that of FIG. 7;
FIG. 9 is a front upper perspective view of a low dam outswing sill cap according to a second embodiment of the disclosure;
FIG. 10 is a front lower perspective view thereof;
FIG. 11 is a top view thereof;
FIG. 12 is a right side view thereof;
FIG. 13 is a left side view thereof;
FIG. 14 is a bottom view thereof;
FIG. 15 is a front end view thereof; and,
FIG. 16 is a rear end view thereof from an end opposite that of FIG. 15.
The broken lines are for the purpose of illustrating environment only and form no part of the claimed design.

1 Claim, 10 Drawing Sheets



(56)

References Cited

U.S. PATENT DOCUMENTS

6,345,477	B1	2/2002	Kepler et al.	
6,367,201	B1	4/2002	Massey et al.	
6,367,865	B1	4/2002	Royse	
D460,563	S *	7/2002	Babka	D25/48.2
6,491,326	B1	12/2002	Massey et al.	
D474,844	S *	5/2003	Babka	D25/48.2
D474,845	S	5/2003	Babka et al.	
D488,243	S	4/2004	Babka et al.	
6,789,358	B2	9/2004	Procton et al.	
7,266,929	B1	9/2007	Allred et al.	
7,350,336	B2	4/2008	Bennett	
7,472,516	B2	1/2009	Pepper et al.	
D627,488	S	11/2010	Abdollahzadeh et al.	
D638,142	S	5/2011	Van Camp et al.	
D638,143	S	5/2011	Procton et al.	
8,413,383	B2	4/2013	Van Camp et al.	
8,490,332	B2	7/2013	Van Camp et al.	
8,522,483	B2	9/2013	Van Camp et al.	
8,567,128	B2	10/2013	Van Camp et al.	
8,739,469	B1	6/2014	Fortun et al.	
D722,387	S	2/2015	Van Camp	
D722,388	S	2/2015	Van Camp	
8,966,823	B1	3/2015	Van Camp	
8,991,100	B2	3/2015	Van Camp et al.	
8,991,101	B2	3/2015	Van Camp et al.	
9,051,777	B2	6/2015	Van Camp et al.	
D733,926	S	7/2015	Van Camp et al.	
D733,927	S	7/2015	Van Camp	
9,371,682	B2	6/2016	Van Camp et al.	
D766,458	S *	9/2016	Chapman	D25/48.2
2016/0265264	A1	9/2016	Van Camp et al.	

* cited by examiner

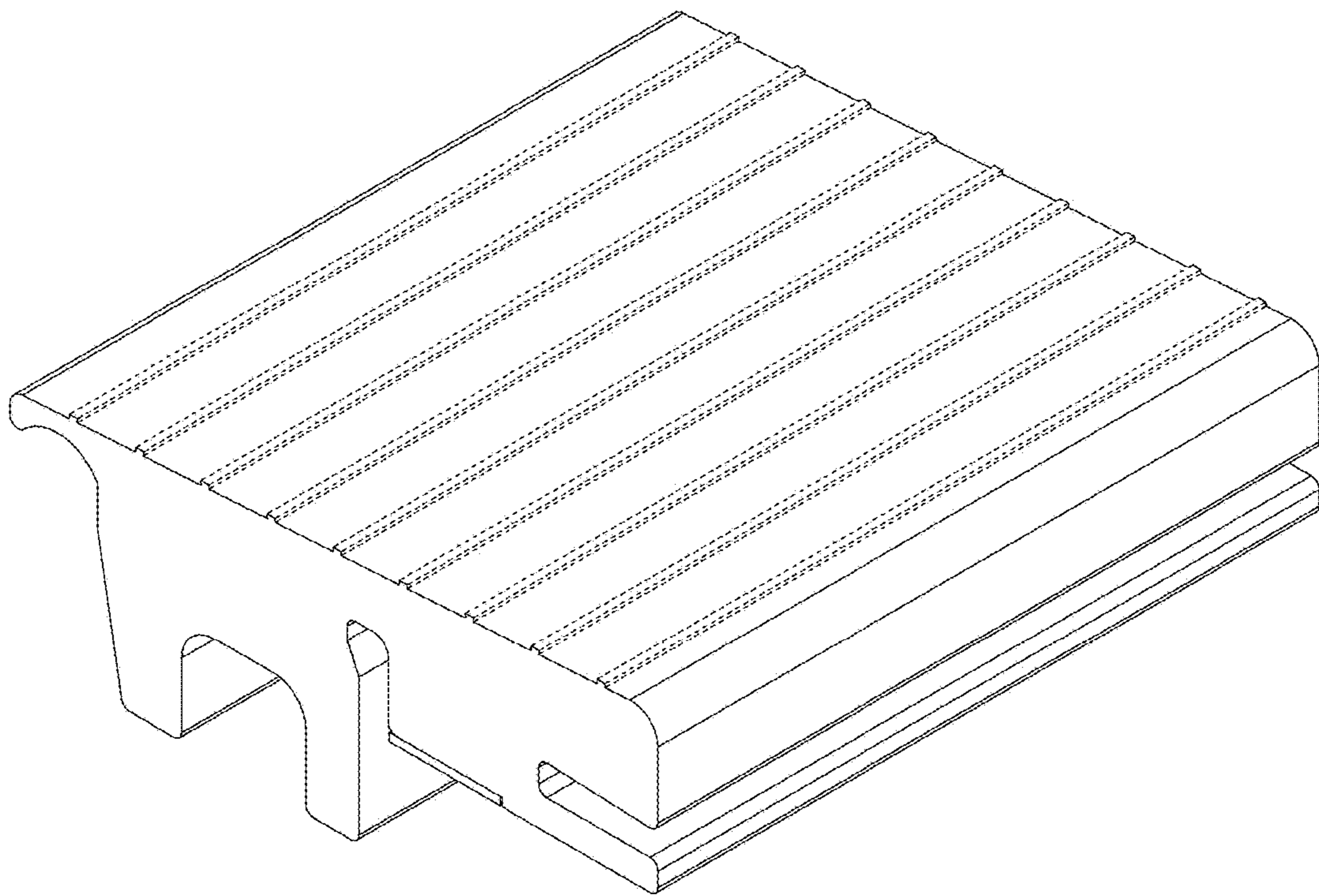


Fig. 1

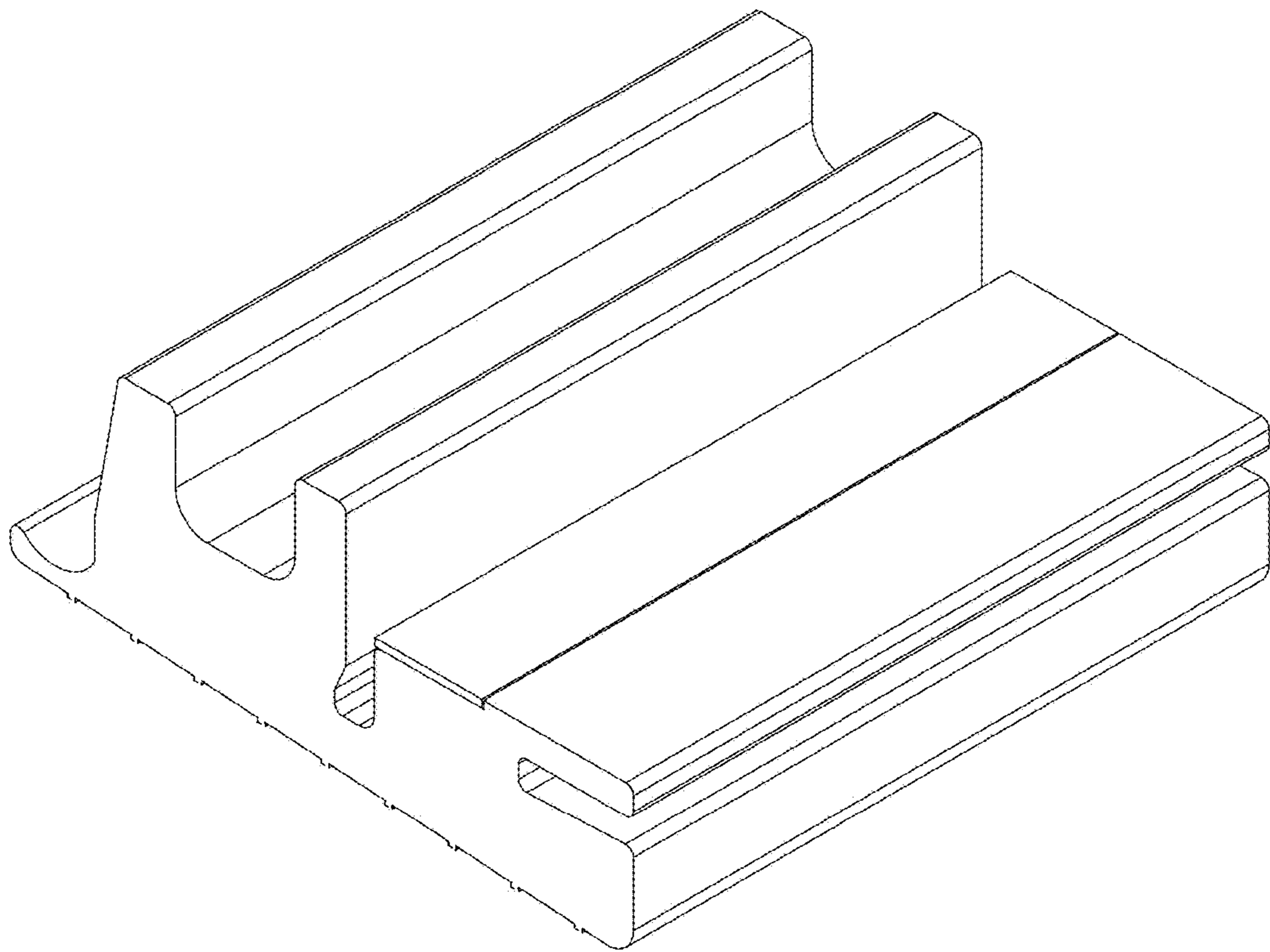


Fig. 2

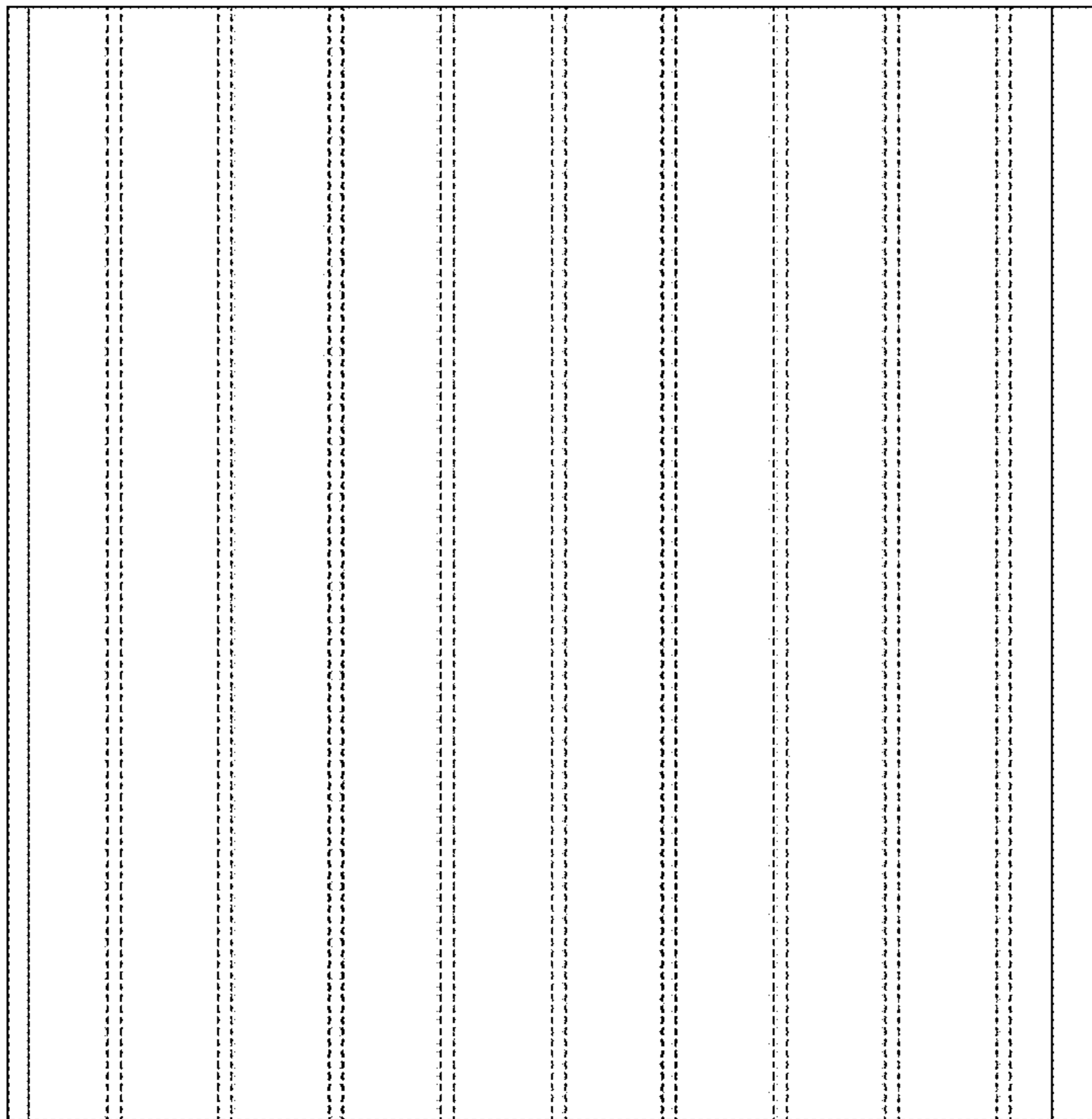


Fig. 3

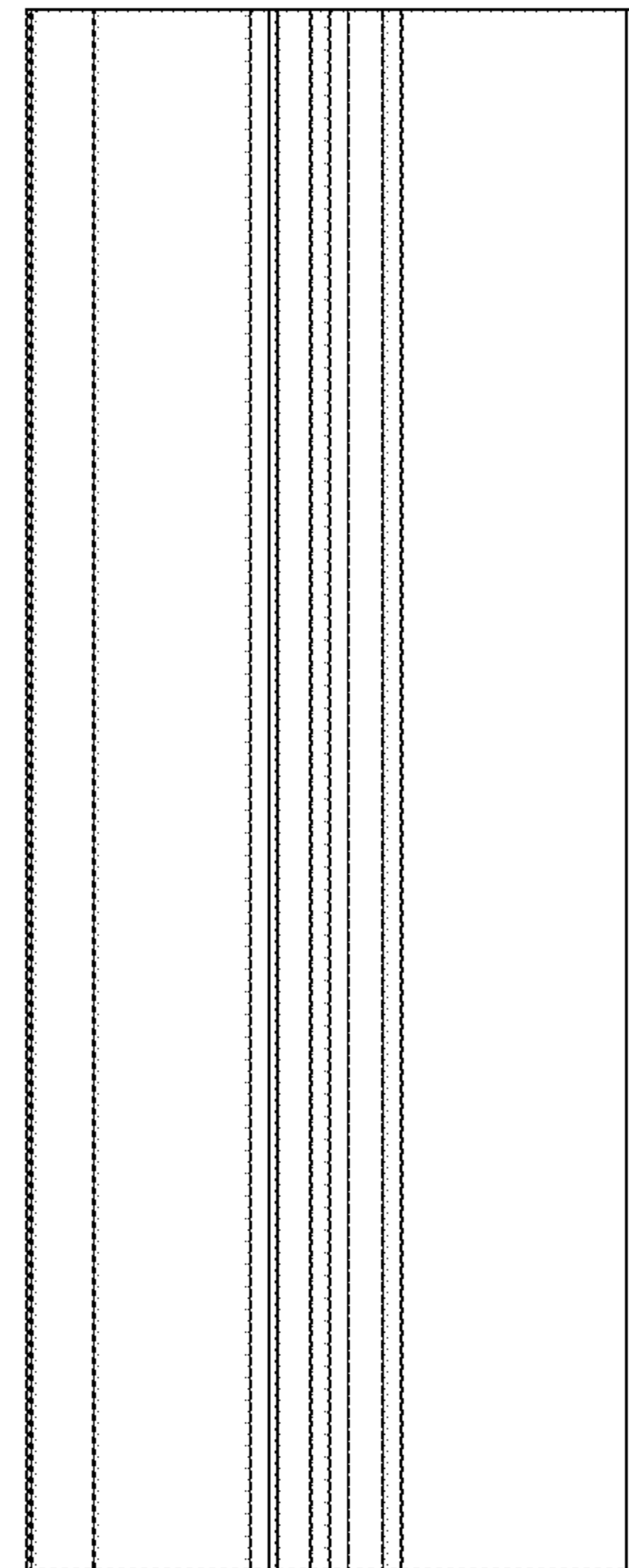


Fig. 4

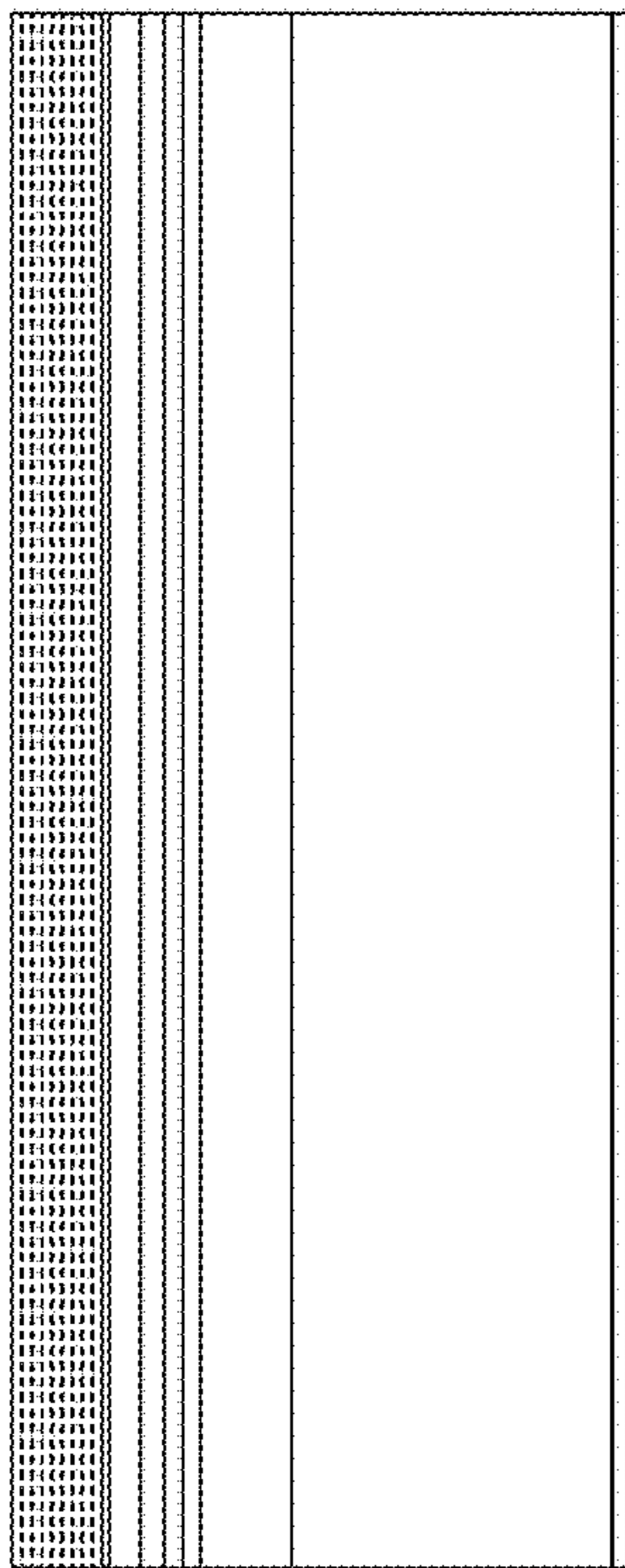


Fig. 5

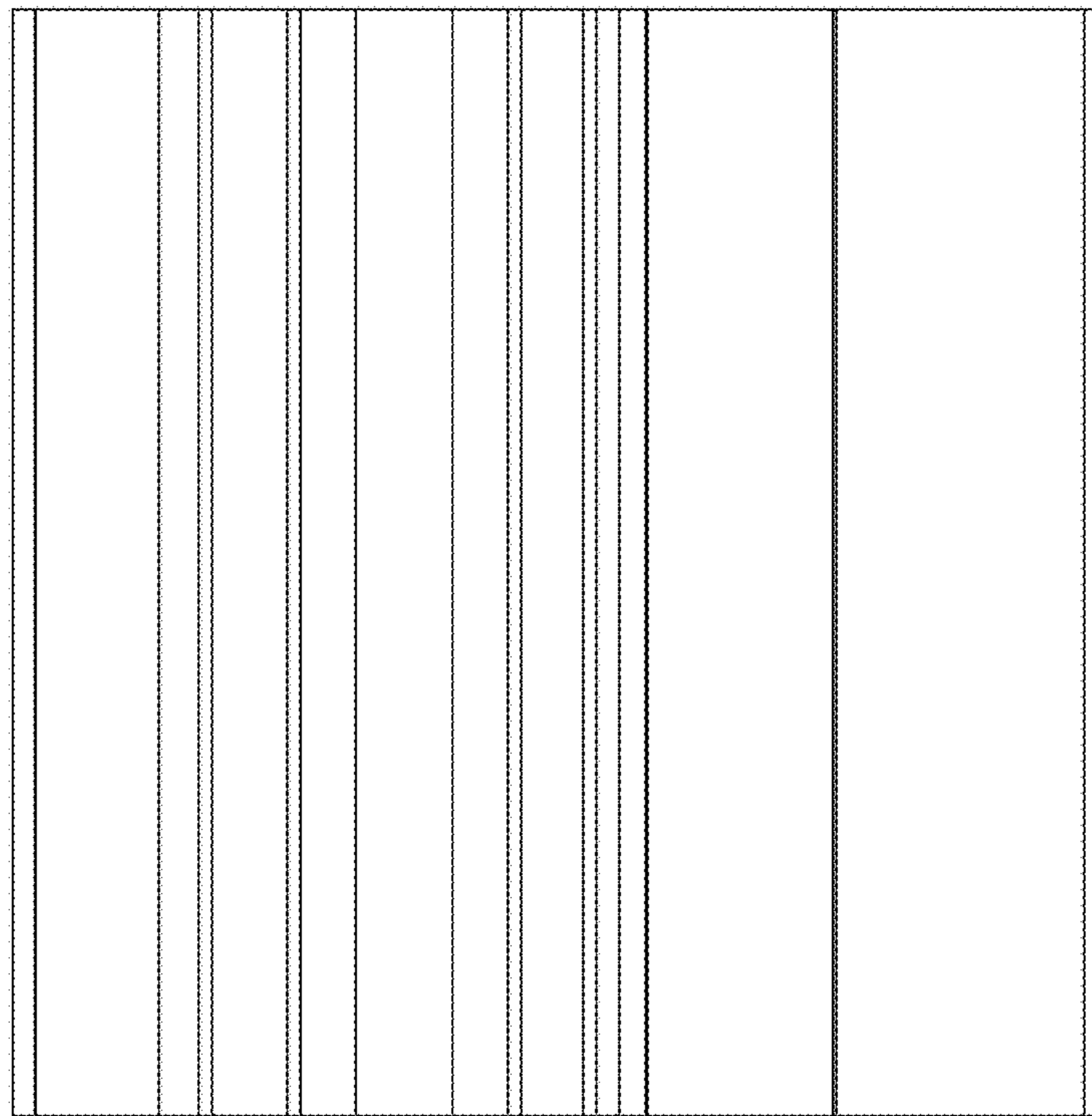


Fig. 6

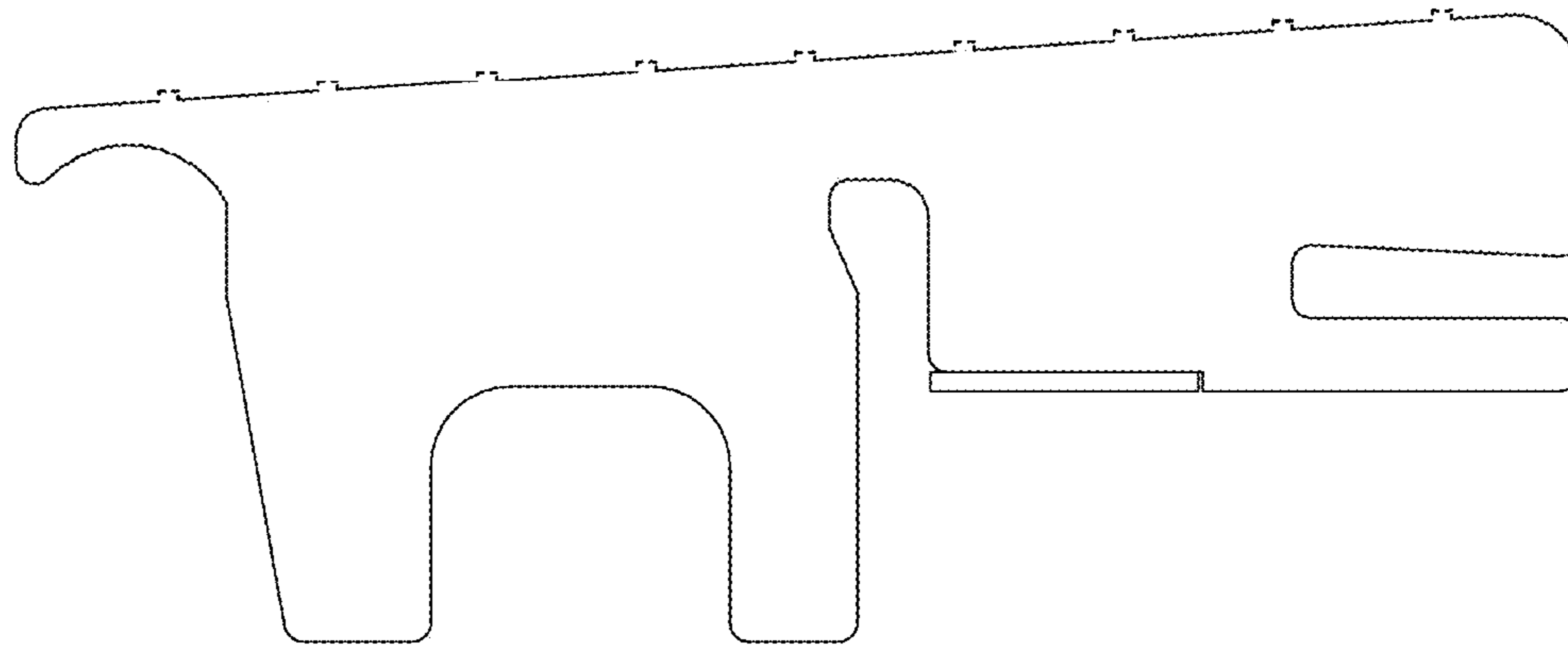


Fig. 7

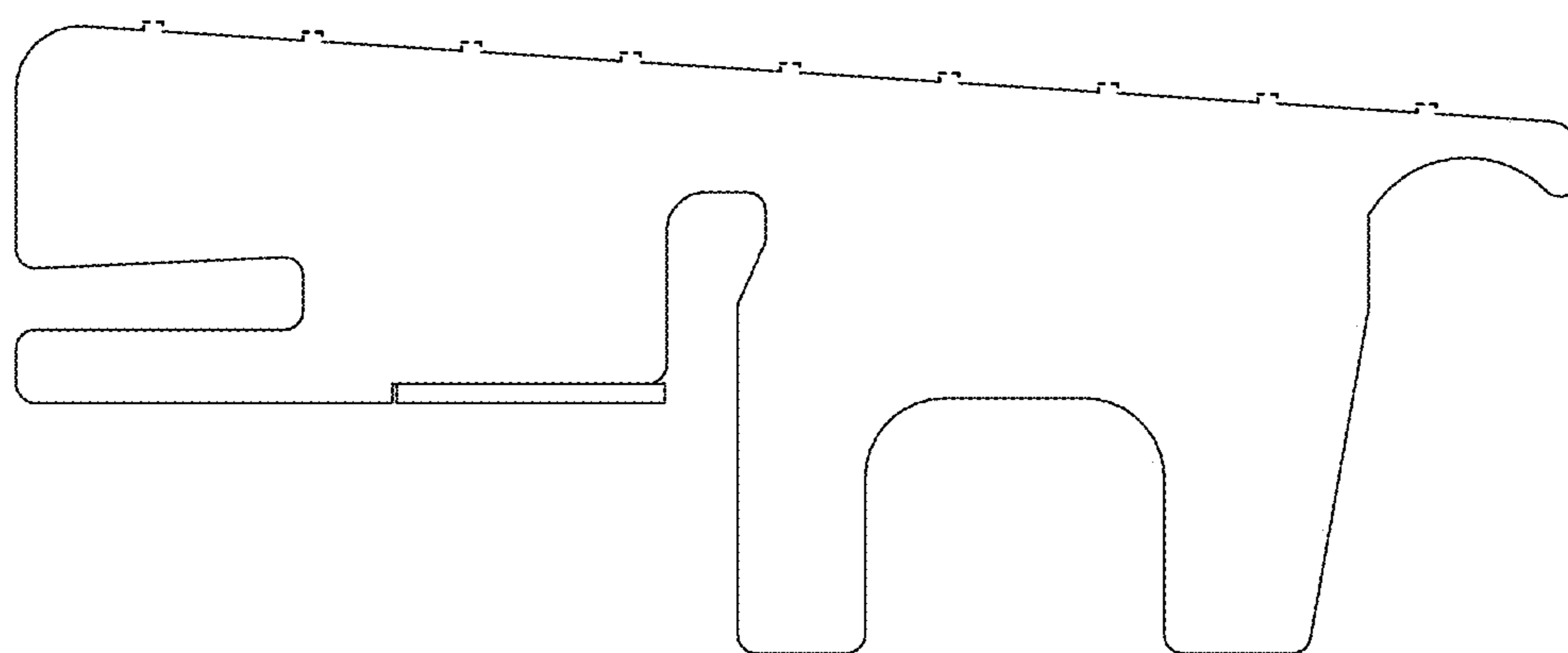


Fig. 8

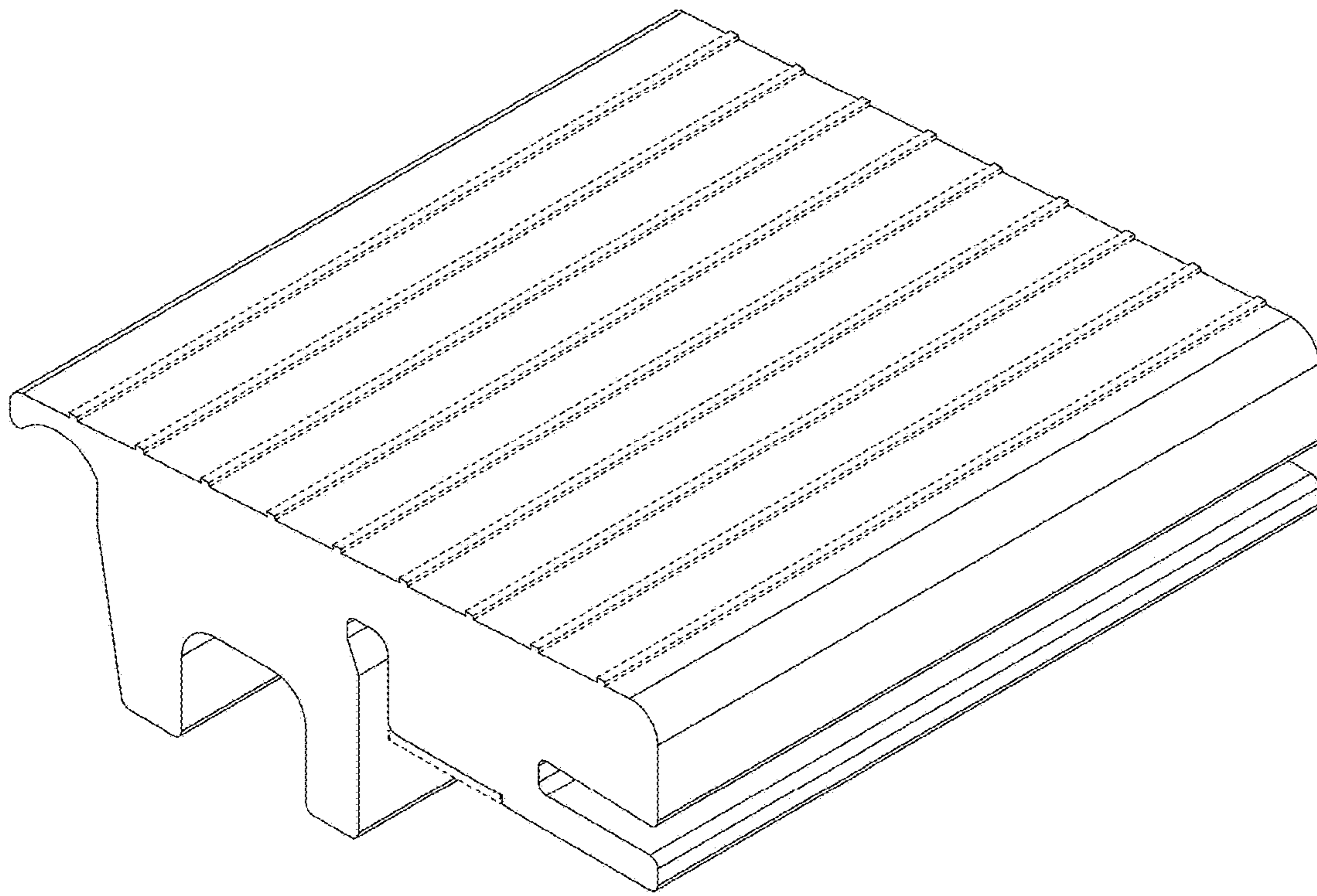


Fig. 9

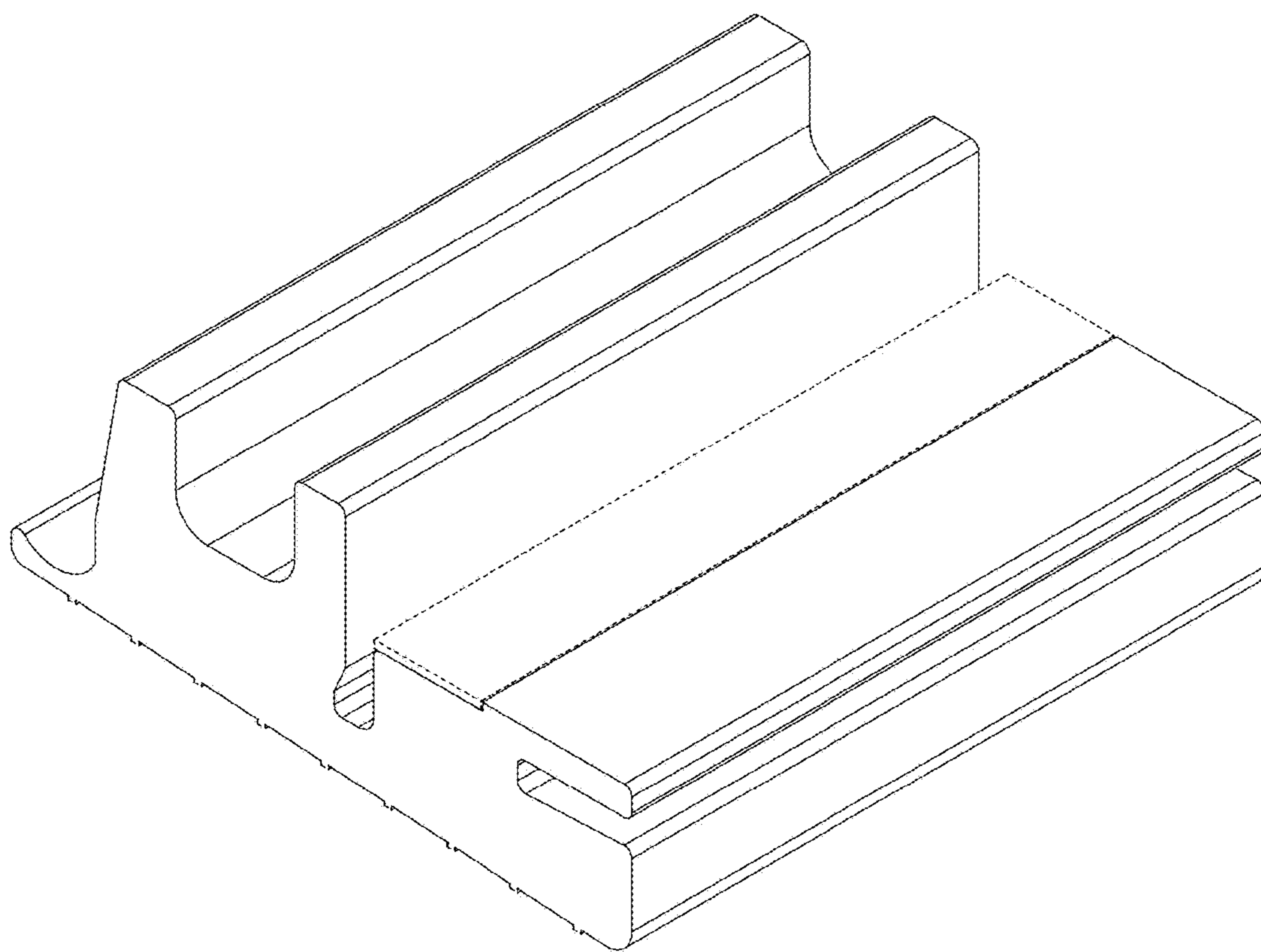


Fig. 10

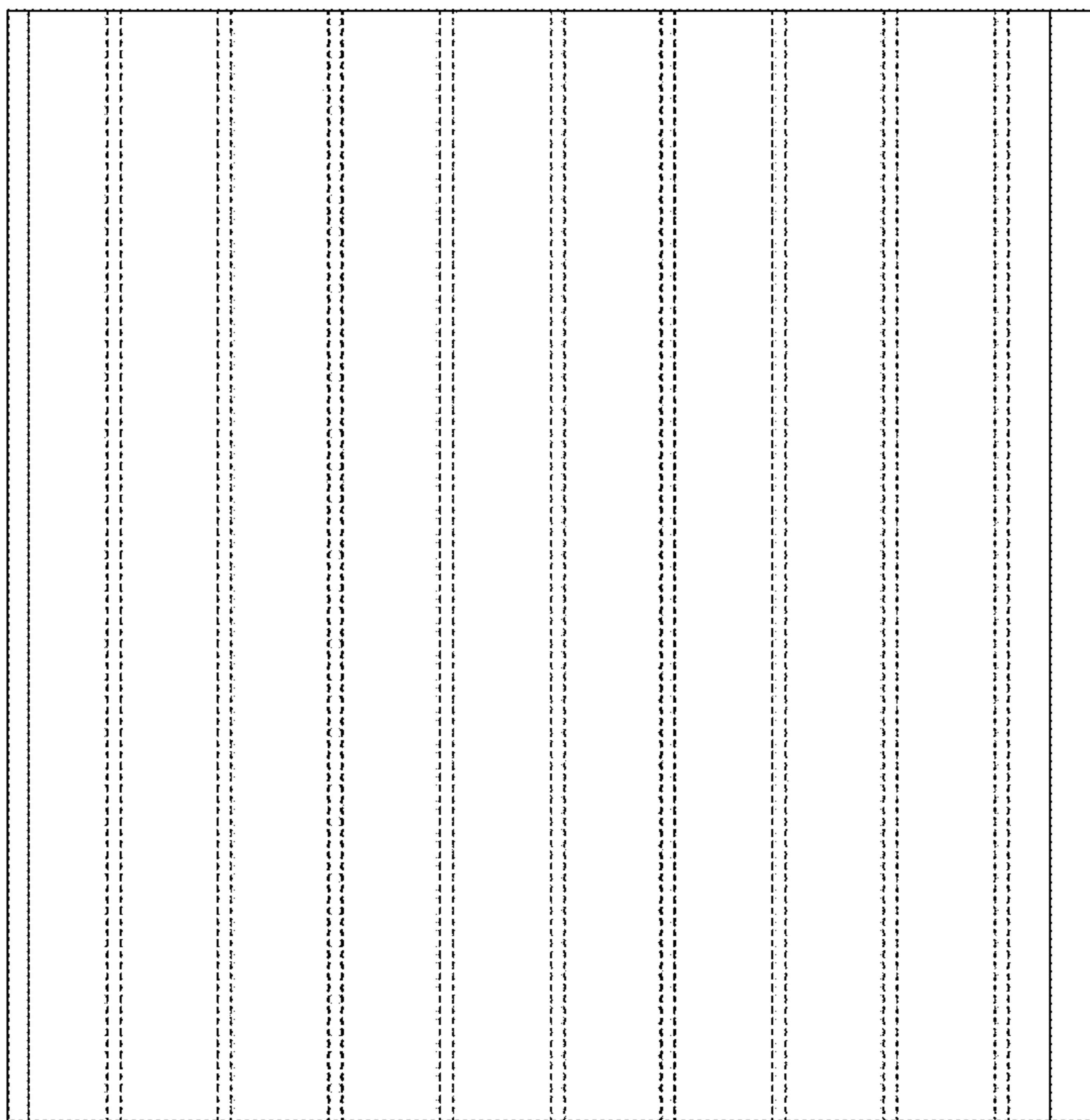


Fig. 11

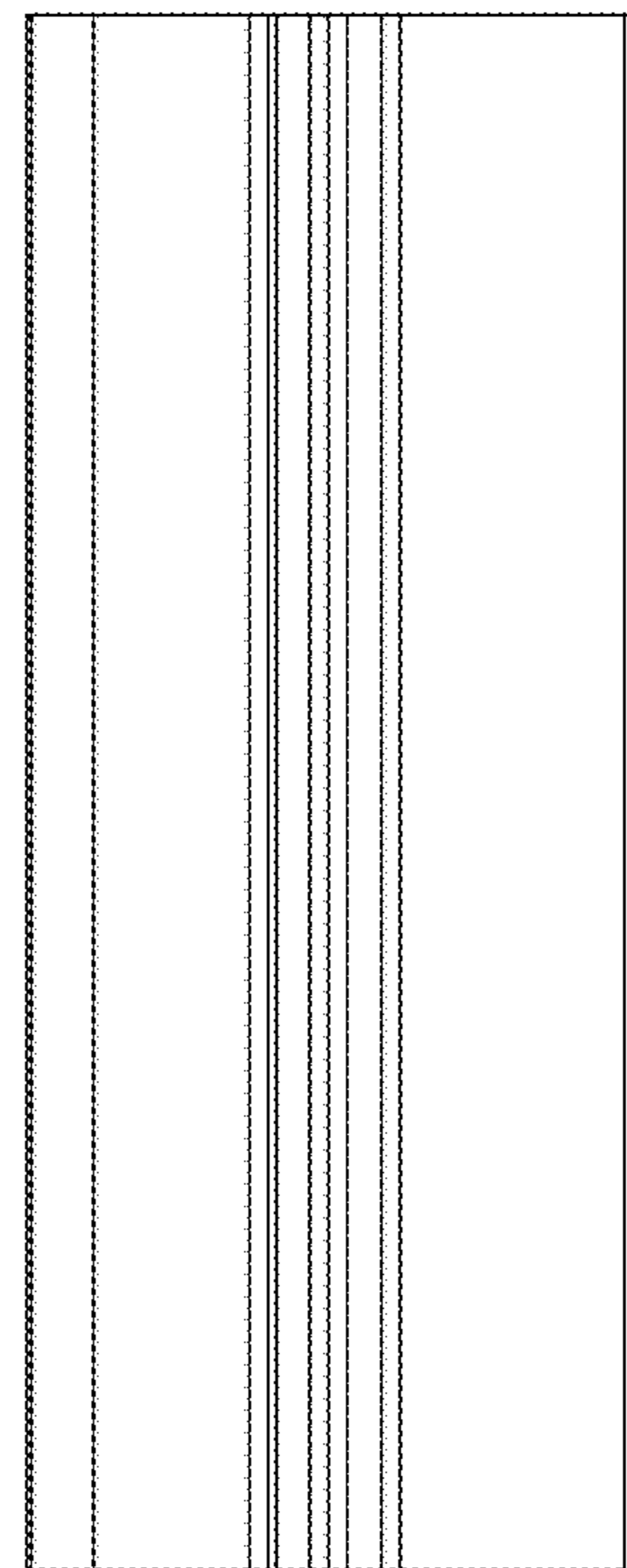


Fig. 12

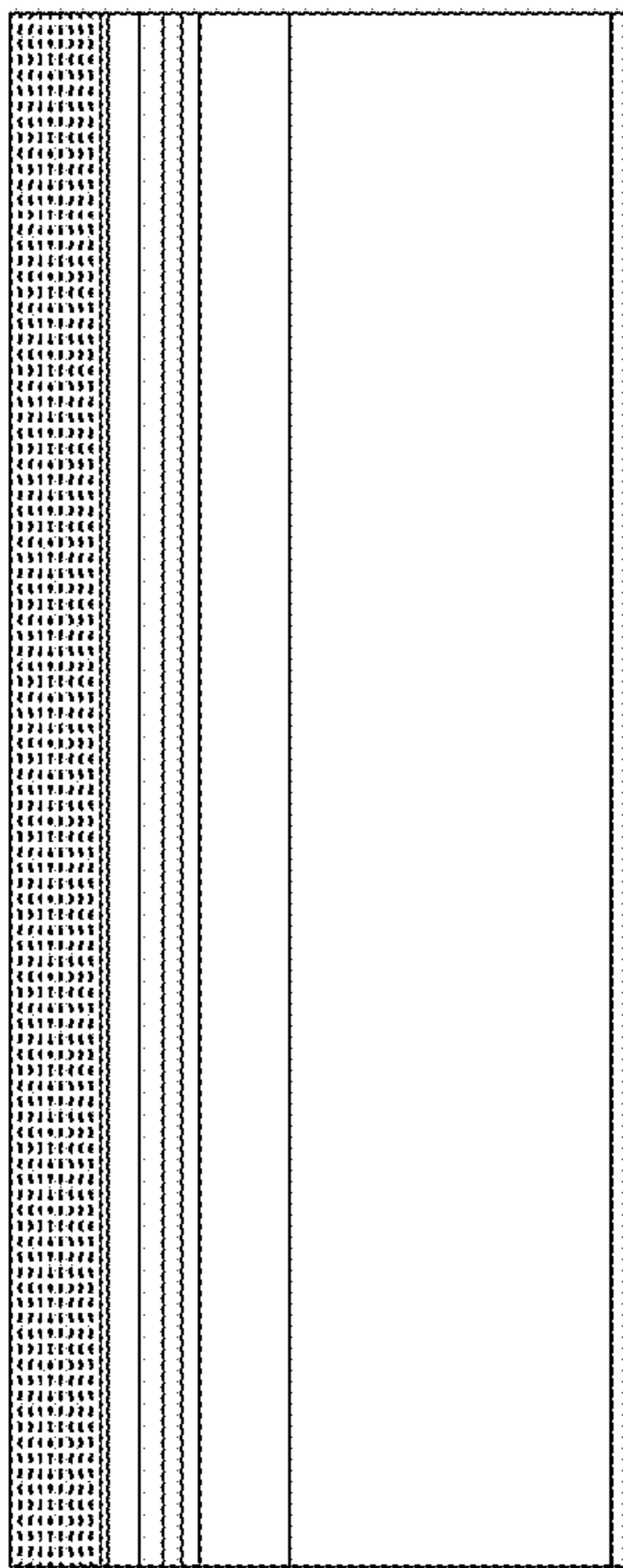


Fig. 13

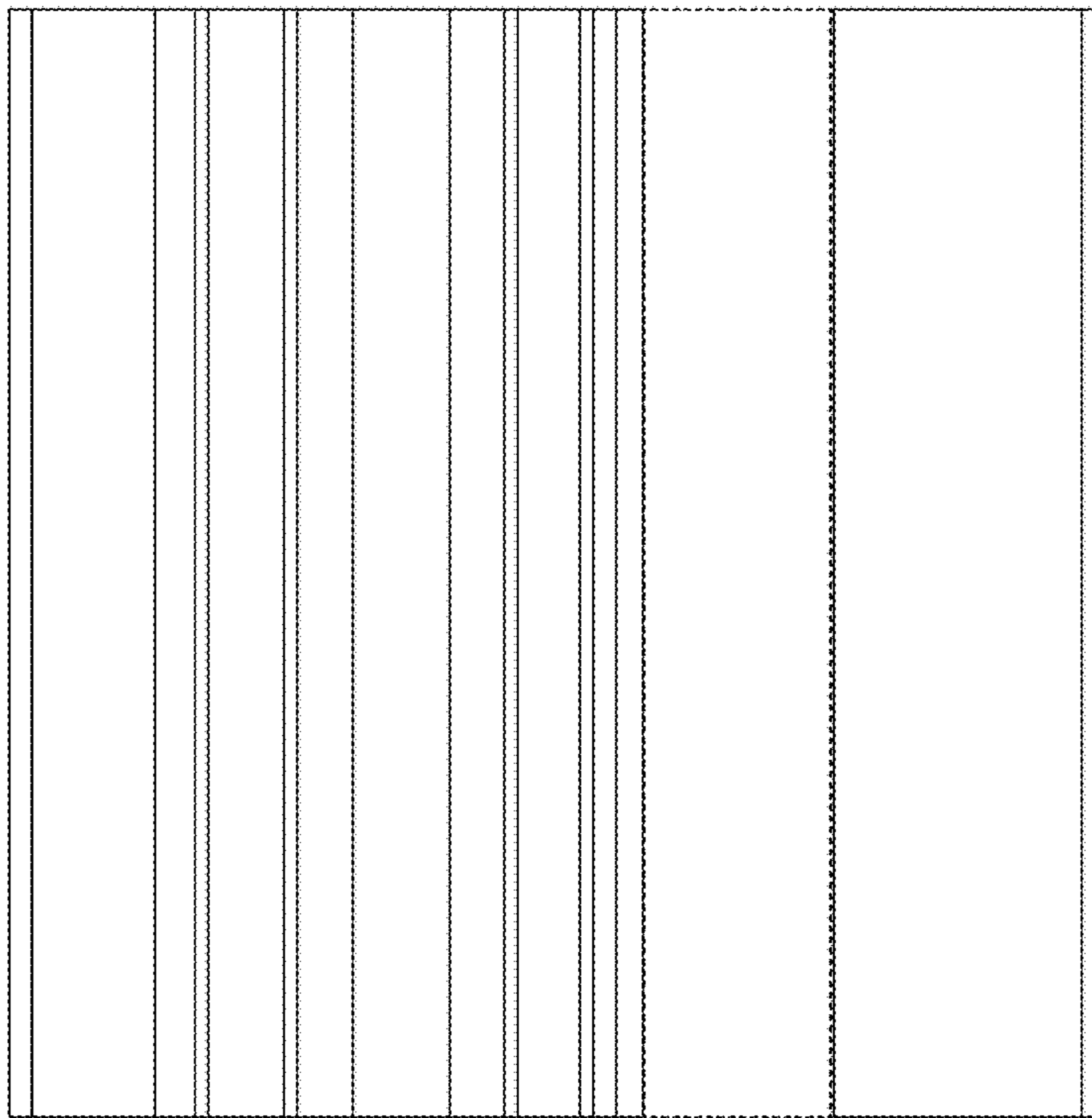


Fig. 14

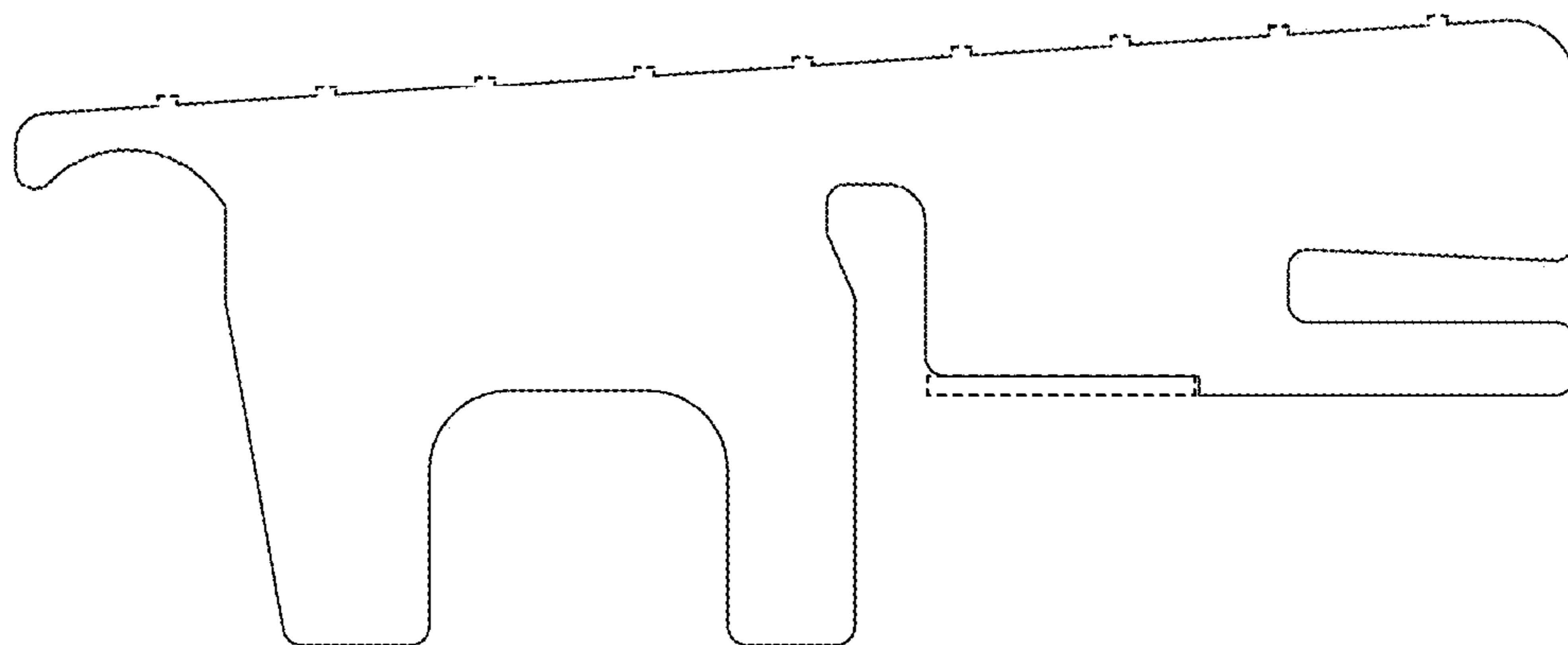


Fig. 15

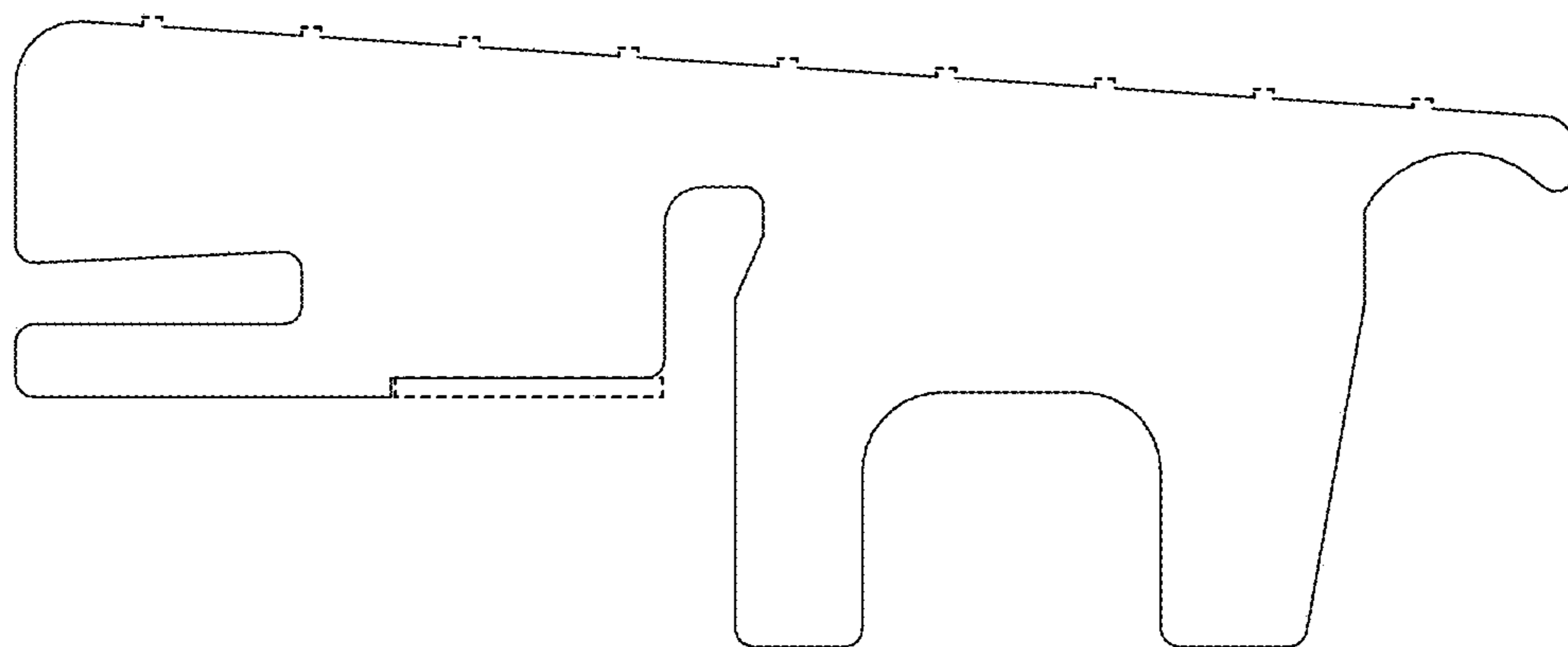


Fig. 16