



US00D812770S

(12) **United States Design Patent**  
**Menon et al.**

(10) **Patent No.:** **US D812,770 S**  
(45) **Date of Patent:** **\*\* Mar. 13, 2018**

(54) **TOP FOR A DIALYSIS RECHARGER CABINET**

D777,932 S \* 1/2017 Lura ..... D24/185  
D778,073 S \* 2/2017 Sandgrund ..... D6/327

\* cited by examiner

(71) Applicant: **Medtronic, Inc.**, Minneapolis, MN (US)

*Primary Examiner* — Wan Laymon

(72) Inventors: **Kanjimpuredathil Muralikrishna Menon**, Bangalore (IN); **Kaustubh R. Patil**, Bangalore (IN); **Mahesh Parameswaran**, Bangalore (IN); **Ramkumar Jeyachandran**, Bangalore (IN); **Rohit Kumar Narula**, Dehra Dun (IN)

*Assistant Examiner* — Mark Booker

(74) *Attorney, Agent, or Firm* — Kenneth Collier; Roger Hahn

(73) Assignee: **Medtronic, Inc.**, Minneapolis, MN (US)

(57) **CLAIM**

The ornamental design for a top for a dialysis recharger cabinet, as shown and described.

(\*\*) Term: **15 Years**

**DESCRIPTION**

(21) Appl. No.: **29/564,748**

FIG. 1 is a perspective view of the top for a dialysis recharger cabinet according to our design; FIG. 2 is a front view of the perspective view of the top for a dialysis recharger cabinet referenced in FIG. 1; FIG. 3 is a rear view of the perspective view of the top for a dialysis recharger cabinet referenced in FIG. 1; FIG. 4 is a left side view of the perspective view of the top for a dialysis recharger cabinet referenced in FIG. 1; FIG. 5 is a right side view of the perspective view of the top for a dialysis recharger cabinet referenced in FIG. 1; FIG. 6 is a top view of the perspective view of the top for a dialysis recharger cabinet referenced in FIG. 1; and, FIG. 7 is a bottom view of the perspective view of the top for a dialysis recharger cabinet referenced in FIG. 1. The broken lines shown in the figures represent portions of the top for a dialysis recharger cabinet that form no part of the claimed design.

(22) Filed: **May 16, 2016**

(51) **LOC (11) Cl.** ..... **24-00**

(52) **U.S. Cl.**  
USPC ..... **D24/232**

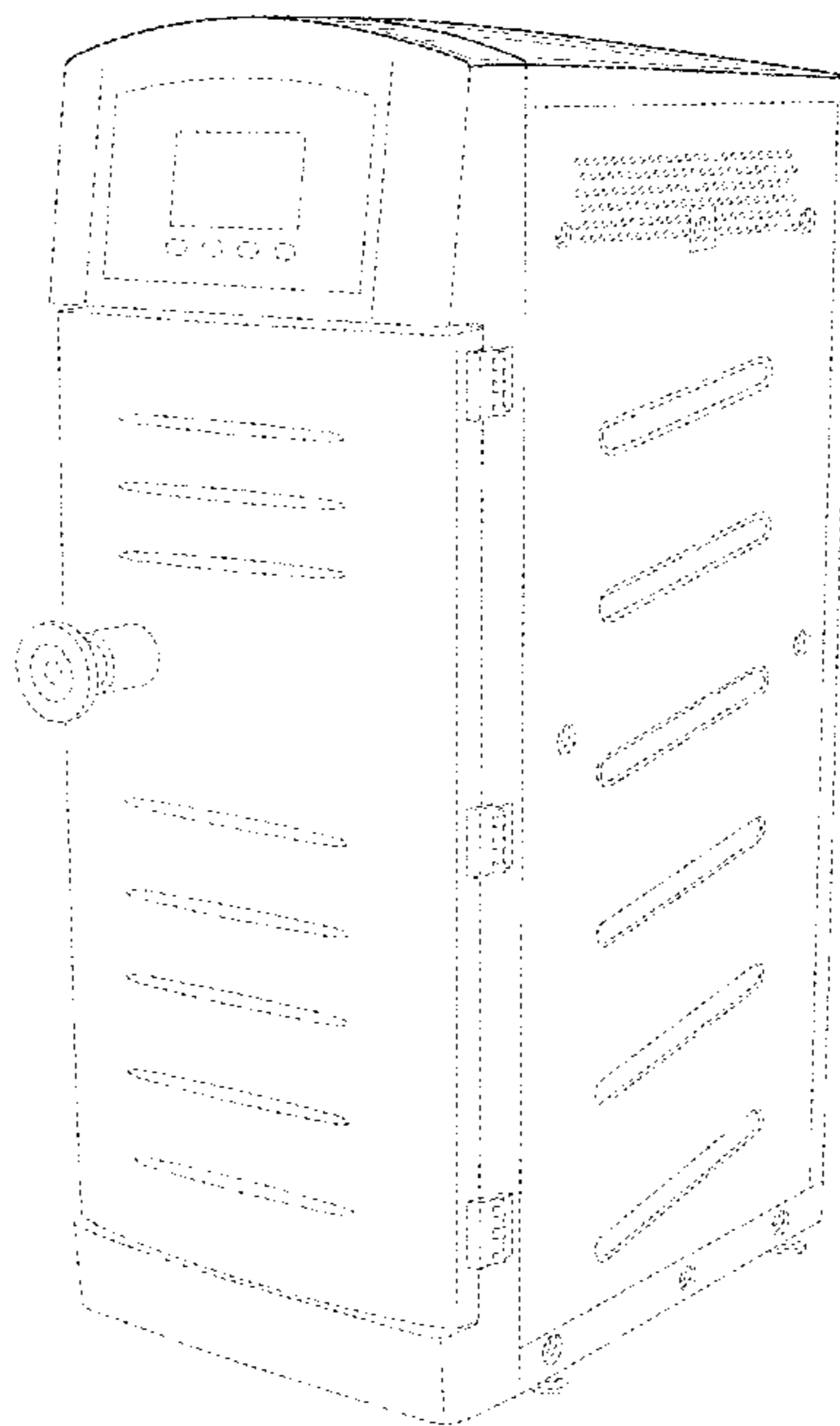
(58) **Field of Classification Search**  
USPC ..... D24/232, 170–171, 177, 185–186, 184, D24/231; D6/663–664, 703, 703.1, D6/703.5, 705.1, 327  
CPC ..... A61L 2/04; B01D 15/08  
See application file for complete search history.

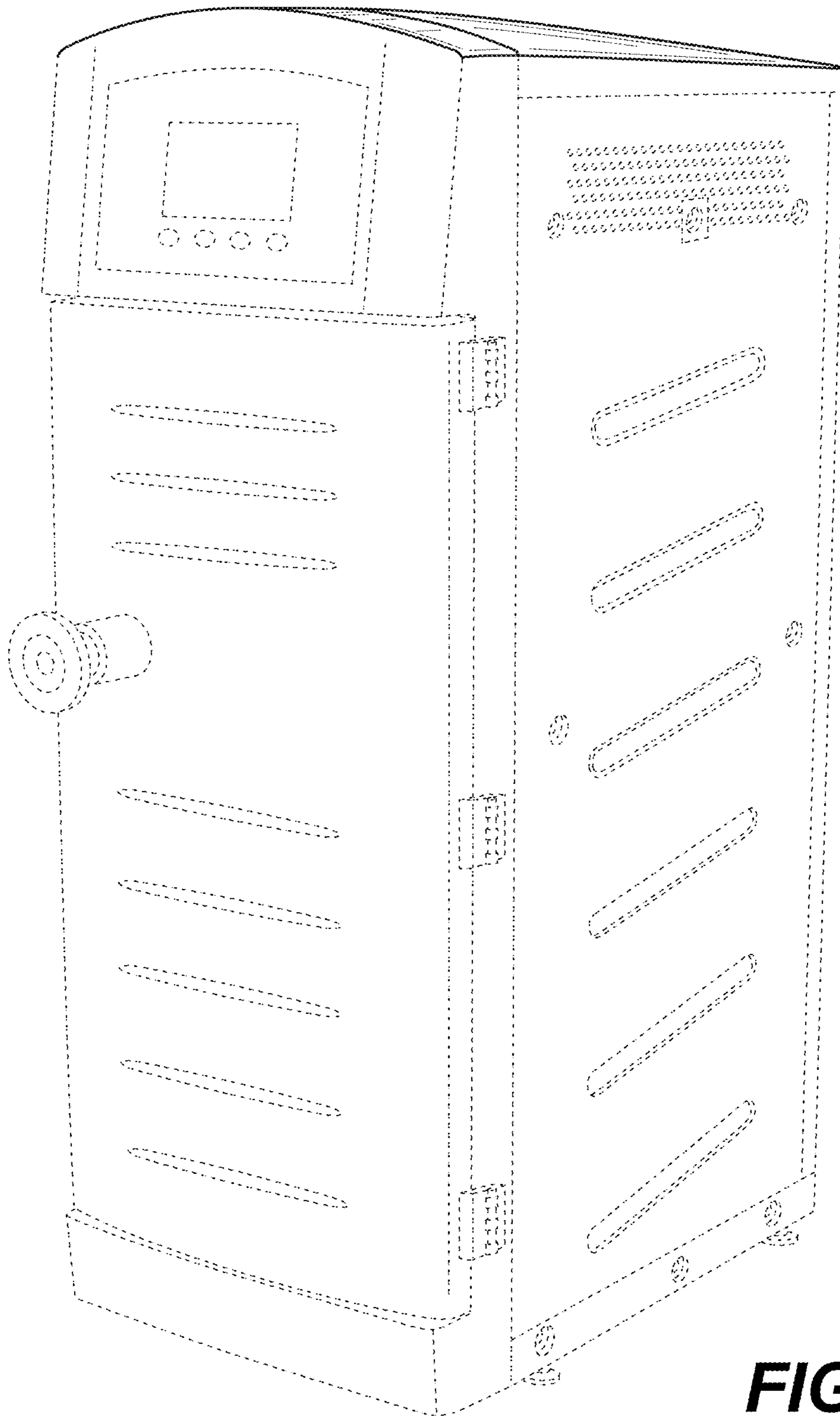
(56) **References Cited**

**U.S. PATENT DOCUMENTS**

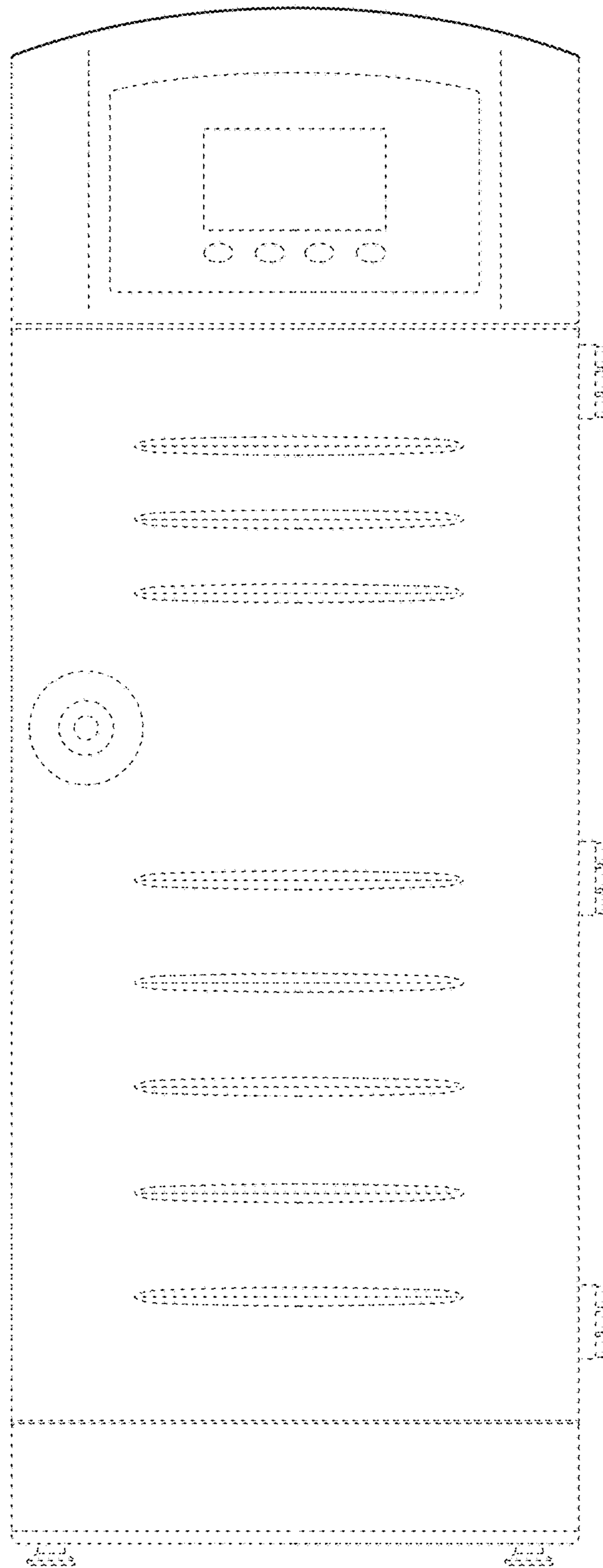
D714,456 S \* 9/2014 Lura ..... D24/185  
D721,815 S \* 1/2015 Lura ..... D24/185

**1 Claim, 7 Drawing Sheets**

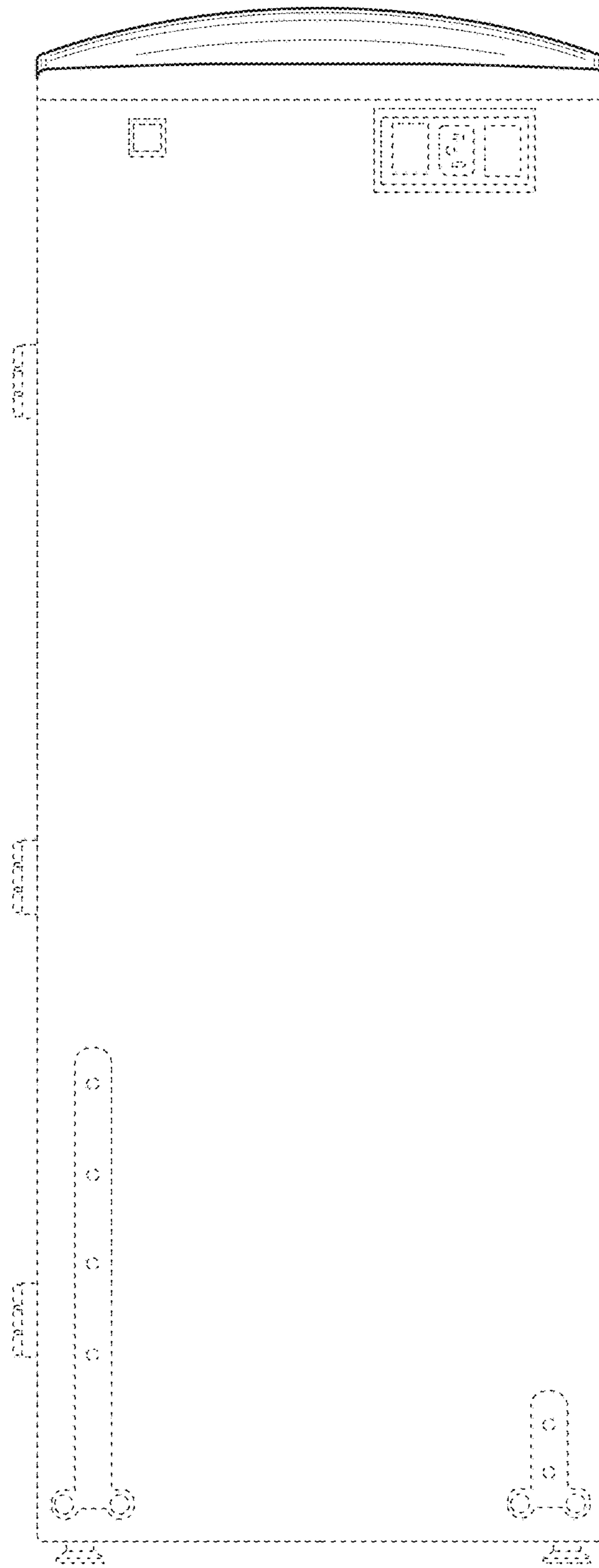




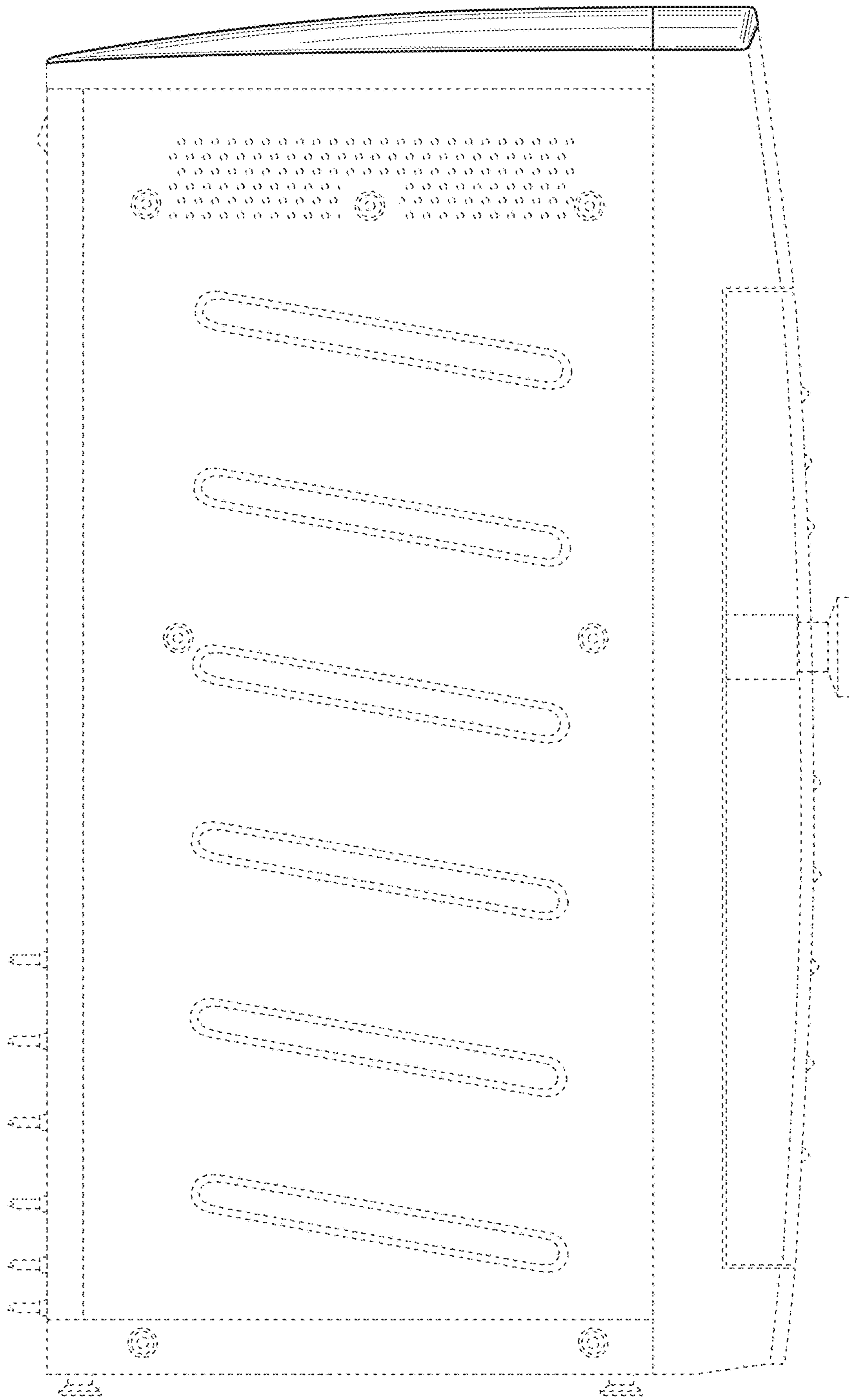
**FIG. 1**



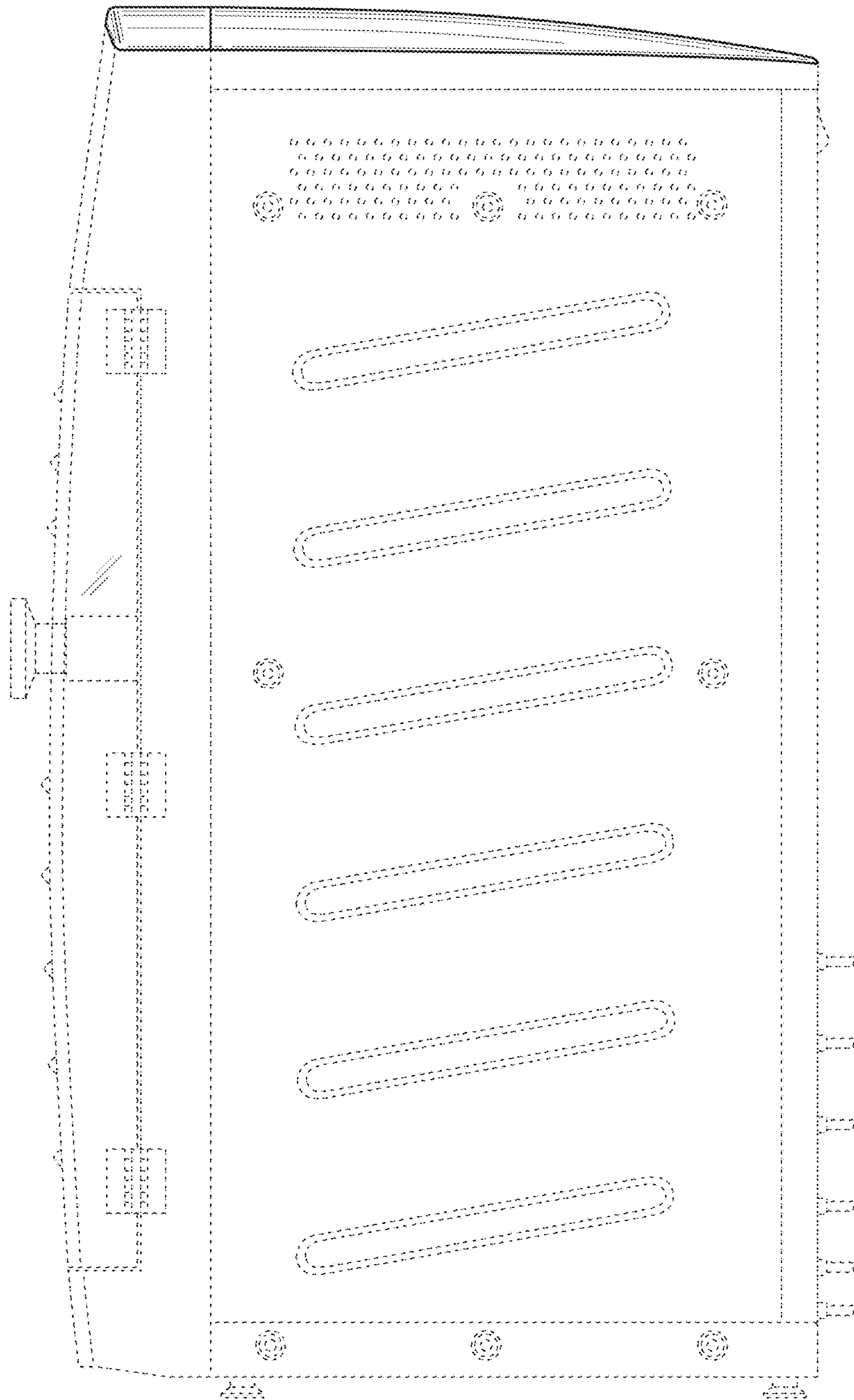
**FIG. 2**



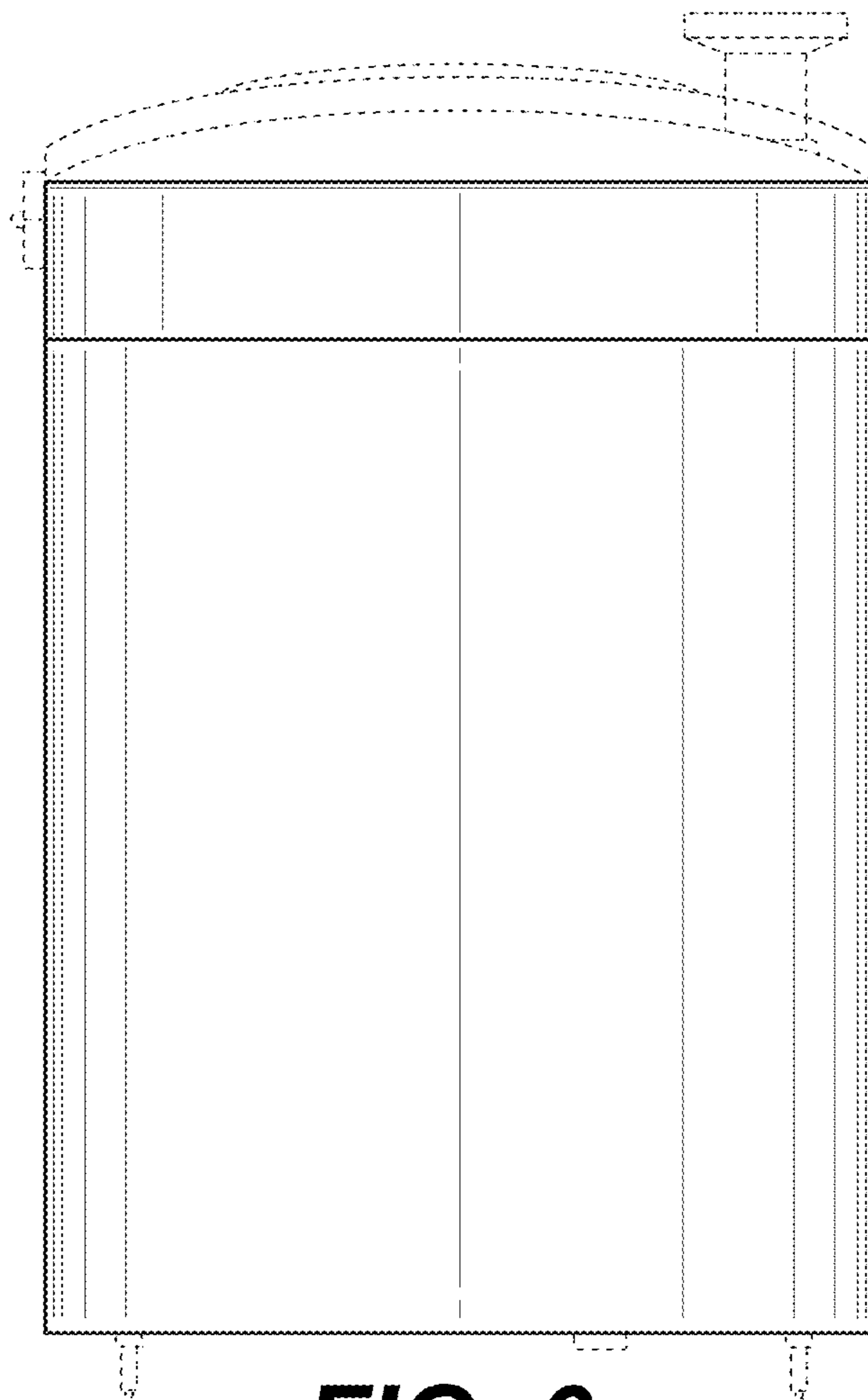
**FIG. 3**



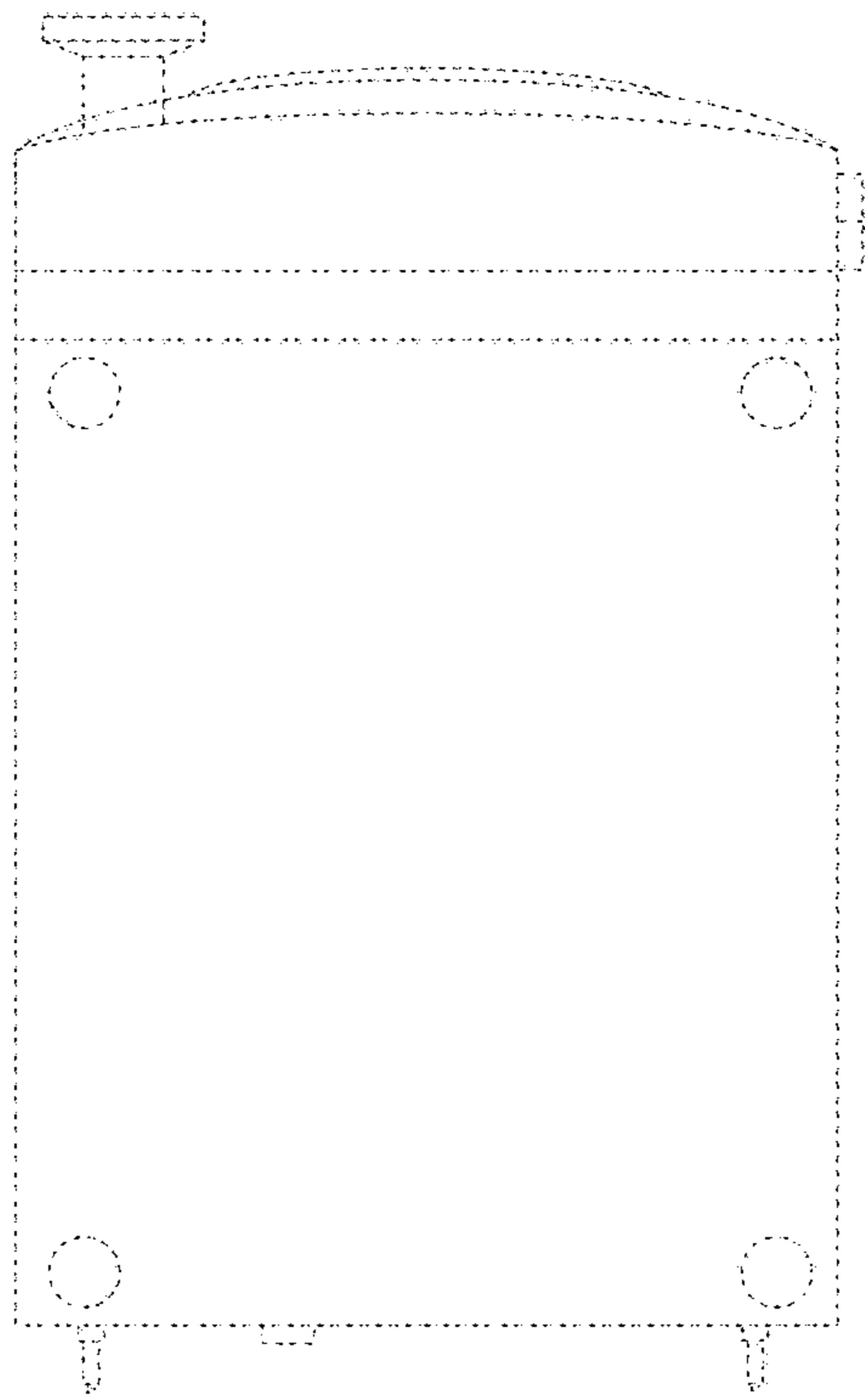
**FIG. 4**



**FIG. 5**



**FIG. 6**



**FIG. 7**