

US00D812769S

(12) **United States Design Patent** (10) **Patent No.:** **US D812,769 S**
Ranalletta et al. (45) **Date of Patent:** **** Mar. 13, 2018**

(54) **WORK STATION FOR MEDICAL DOSE PREPARATION**

FOREIGN PATENT DOCUMENTS

(71) Applicant: **Baxter Corporation Englewood,**
Englewood, CO (US)

GB 994977 6/1965
JP 7-204253 A 8/1995
(Continued)

(72) Inventors: **Joseph V. Ranalletta,** Englewood, CO
(US); **Wesley J. Weber,** Golden, CO
(US)

OTHER PUBLICATIONS

(73) Assignee: **BAXTER CORPORATION**
ENGLEWOOD, Englewood, CO (US)

Phillips, Jon, Associate Director of Telemedicine; "Telepharmacy at Texas Tech," presented Apr. 30, 2003, published at <http://www.ttuhscc.edu/telemedicine/publication.htm> at least by Jun. 22, 2003 Jun. 22, 2003.

(**) Term: **15 Years**

(Continued)

(21) Appl. No.: **29/566,724**

Primary Examiner — Susan Bennett Hattan

Assistant Examiner — Rebecca Tsehaye

(22) Filed: **Jun. 2, 2016**

(74) *Attorney, Agent, or Firm* — K&L Gates LLP

Related U.S. Application Data

(63) Continuation of application No. 14/438,559, filed as application No. PCT/US2013/032545 on Mar. 15, 2013, now Pat. No. 9,375,079.

(57) **CLAIM**

The ornamental design for the work station for medical dose preparation, as shown and described.

(51) **LOC (11) Cl.** **24-02**

(52) **U.S. Cl.**
USPC **D24/227**

(58) **Field of Classification Search**
USPC D24/107, 216, 227, 232, 222, 233, 234;
D7/300, 309, 312, 313, 306, 590;
D26/24, 61-66, 107
CPC .. G01N 1/00; G01N 1/02; G01N 1/14; G01N
1/10; B05C 5/00; B05C 5/001; F21V
21/10; F21V 21/14; F21V 21/104; F21V
21/108;

DESCRIPTION

FIG. 1 is a perspective view of the work station for medical dose preparation showing a platform of the work station for medical dose preparation removed from a stand of the work station for medical dose preparation.

FIG. 2 is a another perspective view of the work station for medical dose preparation of FIG. 1 showing the platform of the work station for medical dose preparation positioned on the stand of the work station for medical dose preparation. FIG. 3 is a top plan view of the platform of the work station for medical dose preparation; and, FIG. 4 is a perspective view of a portion of the stand of the work station for medical dose preparation. The broken lines depict non-claimed subject matter and form no part of the claimed design.

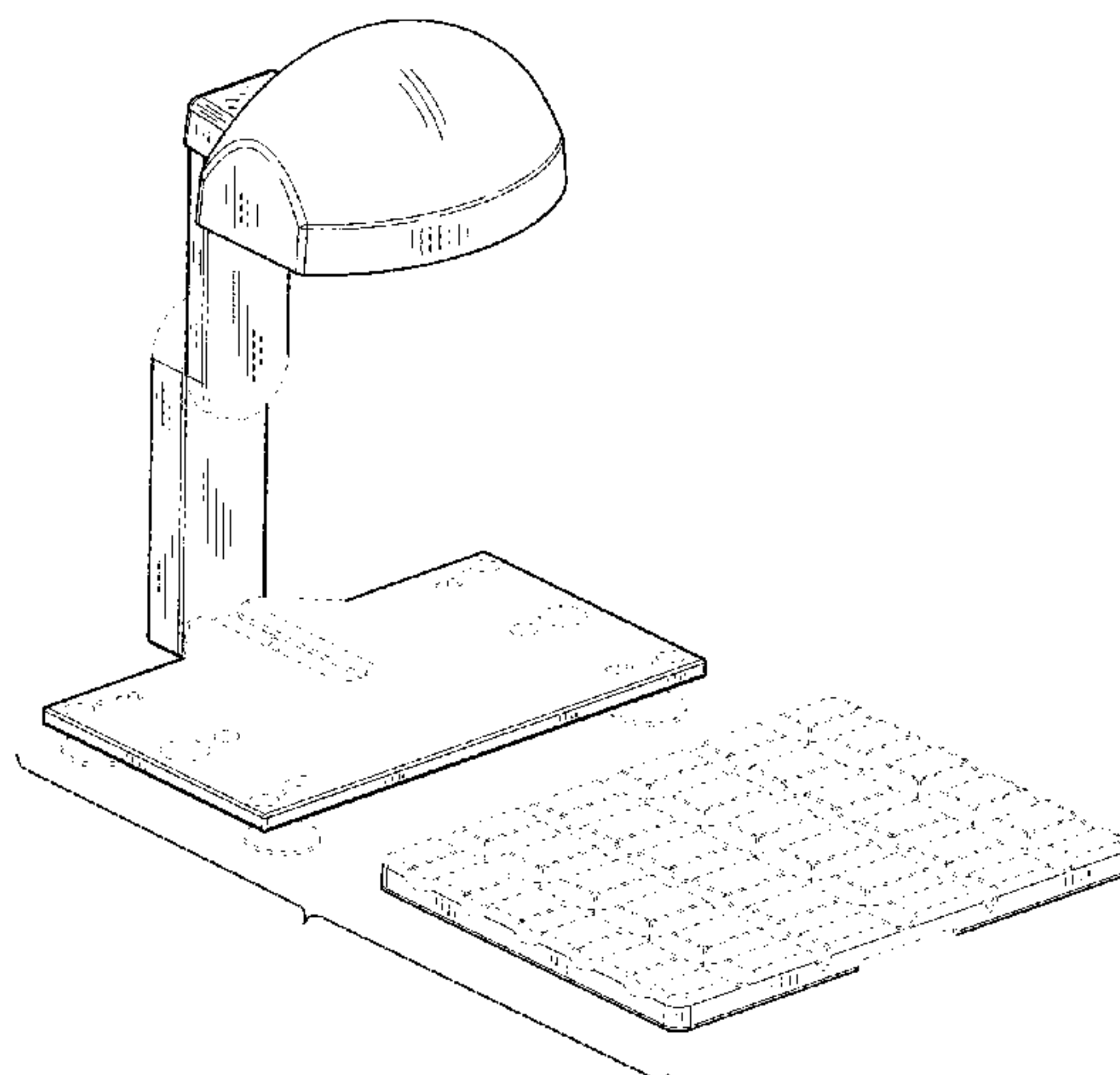
(Continued)

(56) **References Cited**

U.S. PATENT DOCUMENTS

641,748 A * 1/1900 Smith F16M 11/12
248/124.1
4,414,566 A 11/1983 Peyton et al.
(Continued)

1 Claim, 4 Drawing Sheets



(58) **Field of Classification Search**
 CPC A61J 3/002; B65B 57/10; F16M 11/12;
 B01L 3/021
 See application file for complete search history.

(56) **References Cited**

U.S. PATENT DOCUMENTS

4,653,010 A 3/1987 Figler et al.
 D293,135 S * 12/1987 Medema D26/61
 5,431,201 A 7/1995 Torchia et al.
 5,509,318 A * 4/1996 Gomes B01L 3/021
 73/863.01
 5,651,775 A 7/1997 Walker et al.
 D385,646 S * 10/1997 Chan D26/107
 5,713,485 A 2/1998 Liff et al.
 5,797,515 A 8/1998 Liff et al.
 5,818,528 A 10/1998 Roth et al.
 5,907,493 A 5/1999 Boyer et al.
 D414,578 S * 9/1999 Chen D26/65
 6,068,156 A 5/2000 Liff et al.
 6,283,322 B1 9/2001 Liff et al.
 6,330,491 B1 12/2001 Lion
 6,438,451 B1 8/2002 Lion
 6,471,089 B2 10/2002 Liff et al.
 6,564,121 B1 5/2003 Wallace et al.
 6,581,798 B2 6/2003 Liff et al.
 6,610,973 B1 8/2003 Davis, III
 6,711,460 B1 3/2004 Reese
 6,735,497 B2 5/2004 Wallace et al.
 6,776,304 B2 8/2004 Liff et al.
 6,814,255 B2 11/2004 Liff et al.
 6,877,530 B2 4/2005 Osborne et al.
 6,915,823 B2 7/2005 Osborne et al.
 6,991,002 B2 1/2006 Osborne et al.
 7,006,893 B2 2/2006 Hart et al.
 7,017,622 B2 3/2006 Osborne et al.
 7,028,723 B1 4/2006 Alouani et al.
 7,117,902 B2 10/2006 Osborne
 7,151,982 B2 12/2006 Liff et al.
 7,240,699 B2 7/2007 Osborne et al.
 7,427,002 B2 9/2008 Liff et al.
 7,499,581 B2 3/2009 Tribble et al.
 7,561,312 B1 7/2009 Proudfoot et al.
 7,610,115 B2 10/2009 Rob et al.
 7,753,085 B2 7/2010 Tribble et al.
 7,783,383 B2 8/2010 Eliuk et al.
 D624,225 S * 9/2010 Federico D26/63
 7,931,859 B2 4/2011 Mlodzinski et al.
 7,991,507 B2 8/2011 Liff et al.
 8,191,339 B2 6/2012 Tribble et al.
 8,215,557 B1 7/2012 Reno et al.
 8,220,503 B2 7/2012 Tribble et al.
 8,225,824 B2 7/2012 Eliuk et al.
 D667,961 S * 9/2012 Marmier D24/232
 8,267,129 B2 9/2012 Doherty et al.
 8,271,138 B2 9/2012 Eliuk et al.
 8,280,549 B2 10/2012 Liff et al.
 8,374,887 B1 2/2013 Alexander
 8,386,070 B2 2/2013 Eliuk et al.
 8,554,579 B2 10/2013 Tribble et al.
 D693,480 S * 11/2013 Spiess D24/232
 8,678,047 B2 3/2014 Tribble et al.
 D715,958 S * 10/2014 Bossart D24/216
 D738,152 S * 9/2015 Grasselli D7/309
 D753,428 S * 4/2016 Shao D7/306
 9,382,021 B2 7/2016 Tribble et al.
 2002/0100762 A1 8/2002 Liff et al.
 2003/0050731 A1 3/2003 Rosenblum

2003/0231803 A1 12/2003 Huang
 2004/0172289 A1 9/2004 Kozic et al.
 2004/0204954 A1 10/2004 Lacko
 2005/0001033 A1 1/2005 Cheong et al.
 2005/0080651 A1 4/2005 Morrison et al.
 2006/0178578 A1 8/2006 Tribble et al.
 2007/0047980 A1 3/2007 Limer et al.
 2007/0216998 A1 9/2007 Sander
 2007/0239482 A1 10/2007 Finn et al.
 2009/0285762 A1 11/2009 Flower
 2009/0324032 A1 12/2009 Chen
 2010/0017031 A1 1/2010 Rob et al.
 2010/0091281 A1 4/2010 Suzuki
 2010/0094653 A1 4/2010 Tribble et al.
 2010/0128165 A1 5/2010 Newcomb et al.
 2010/0241270 A1 9/2010 Eliuk et al.
 2011/0208350 A1 8/2011 Eliuk et al.
 2011/0267465 A1 11/2011 Alexander et al.
 2012/0097290 A1 4/2012 Mikhaeil
 2012/0200596 A1 8/2012 Gotou et al.
 2013/0079581 A1 3/2013 Agamaite et al.
 2013/0279774 A1 10/2013 Helgason et al.
 2013/0314535 A1 11/2013 Yuyama et al.

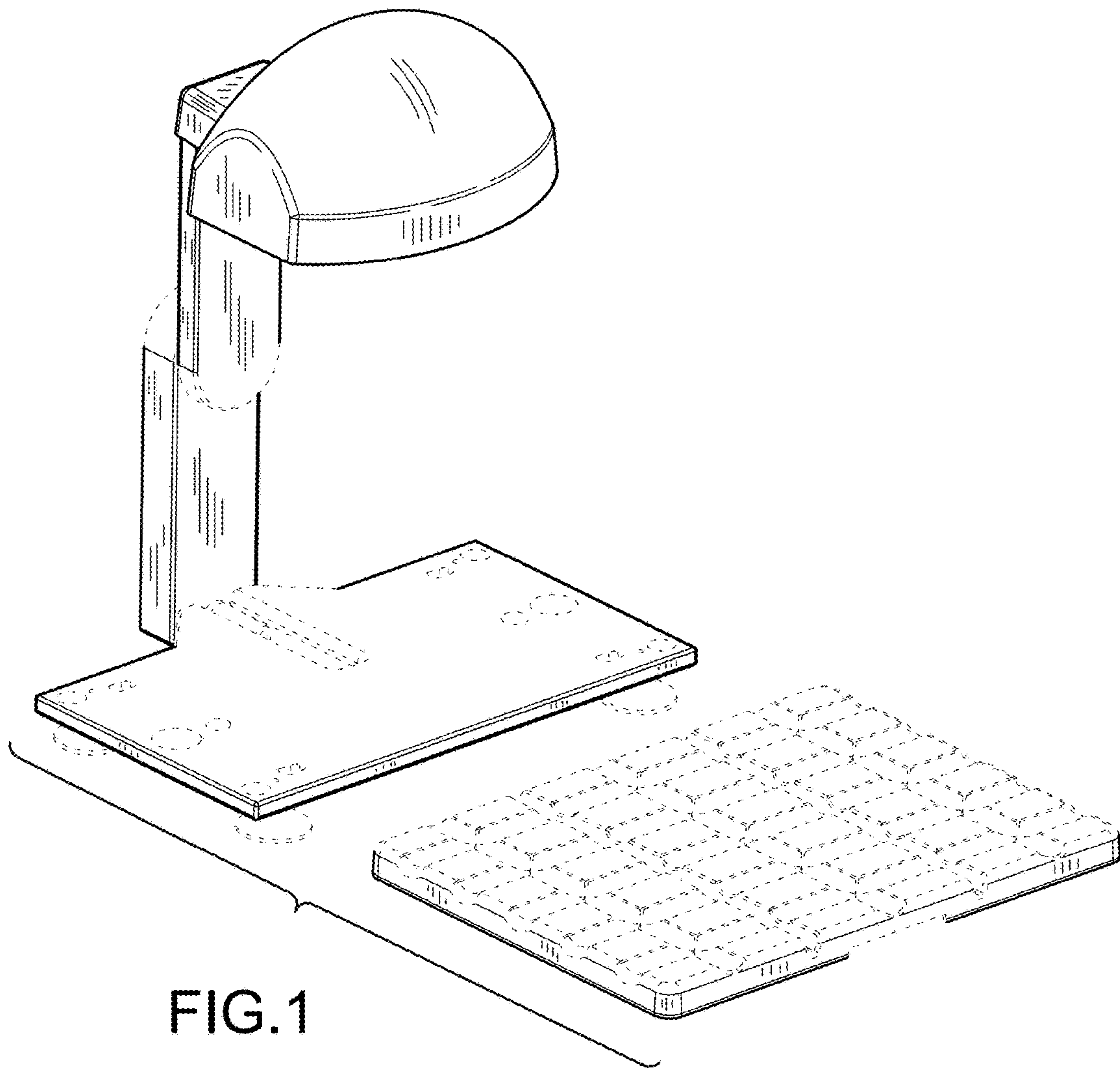
FOREIGN PATENT DOCUMENTS

JP 2000036032 A 2/2000
 JP 2004340770 A 12/2004
 JP 2006033291 A 2/2006
 JP 2006334062 A 12/2006
 JP 2007151001 A 6/2007
 JP 2008139201 A 6/2008
 JP 2010-056619 A 3/2010
 JP 2010170504 A 8/2010
 JP 2012-078265 A 4/2012
 KR 1020110115927 10/2011
 WO 2012056317 A2 5/2012

OTHER PUBLICATIONS

Texas Administrative Code, Title 22, Part 15, Ch 291, Rules 20, 36, and 71-74. Feb. 10, 2004.
 Peterson, Charles D. and Anderson, Jr., Howard C.; "The North Dakota Telepharmacy Project: Restoring and Retaining Pharmacy Services in Rural Communities" Feb. 1, 2004.
 Cato Reference Manual, Support for Trial Version (Abridged), Vienna, May 2004 Jun. 1, 2004.
 Seifert et al.; "The Training of a Telepharmacist: Addressing the Needs of Rural West Texas," American Journal of Pharmaceutical Education 2004; 68 (3) Article 60. Jul. 16, 2004.
 Cato Reference Manual, Vienna, May 2005 May 1, 2005.
 "GE ImageQuant TL 7.0 Image Analysis Software" User Manual, May 2007, http://nba.uth.tmc.edu/Assets/pdf/other/typhoon_supporting_files/IQTL_UserManual.pdf, Uppsala, Sweden.
 "The World's First Fully Integrated Workflow Manager for I.V. Rooms", IntelliFlowRx Brochure, ForHealth Technologies, Inc., United States, May 2008.
 Parsons, et al., "Digital Media—Can I Change a Graphic's File Size?", New Perspectives on Computer Concepts—Course Technology, 2011, Cengage Learning, Boston, MA.
 Baxa Corporation, DoseEdge The Leading Edge in Dose Management, Brochure, published copyright date 2010.
 Baxa Corporation, Product Catalog 2010-2011, published at least by Sep. 15, 2012, <https://web.archive.org/web/20120915210739/http://www.baxa.com/resources/docs/BaxaCatalog.pdf>.

* cited by examiner



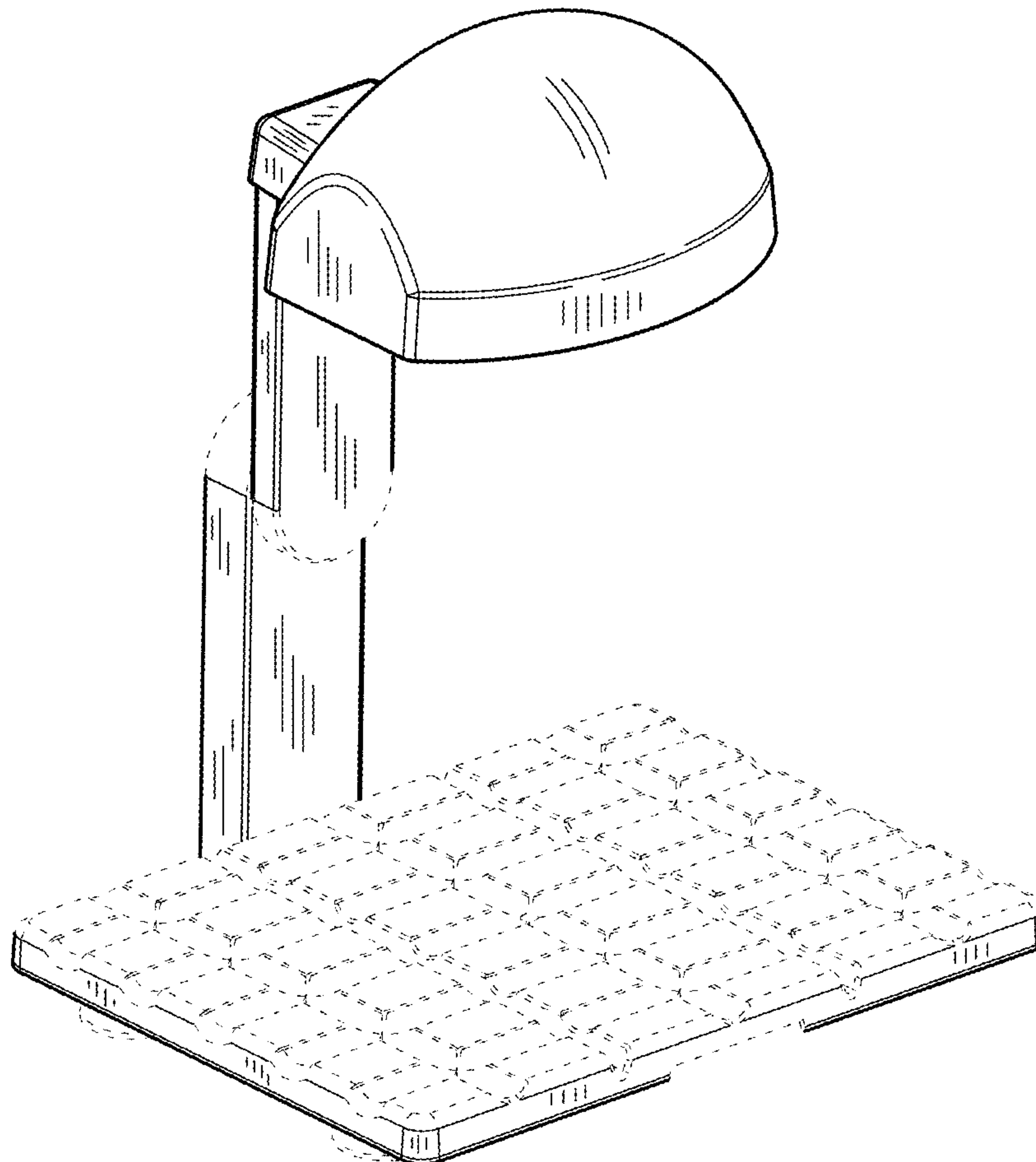


FIG.2

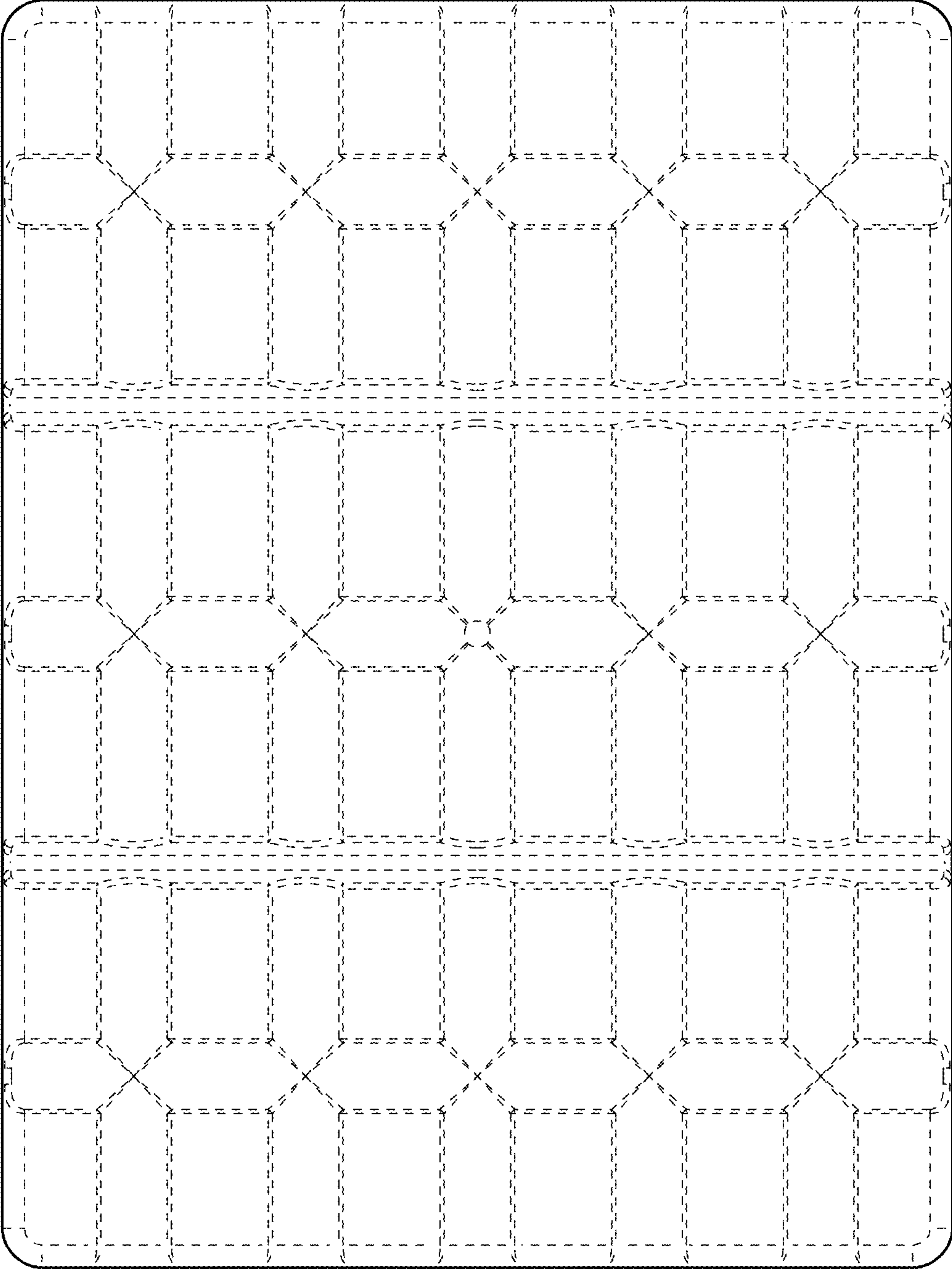


FIG.3

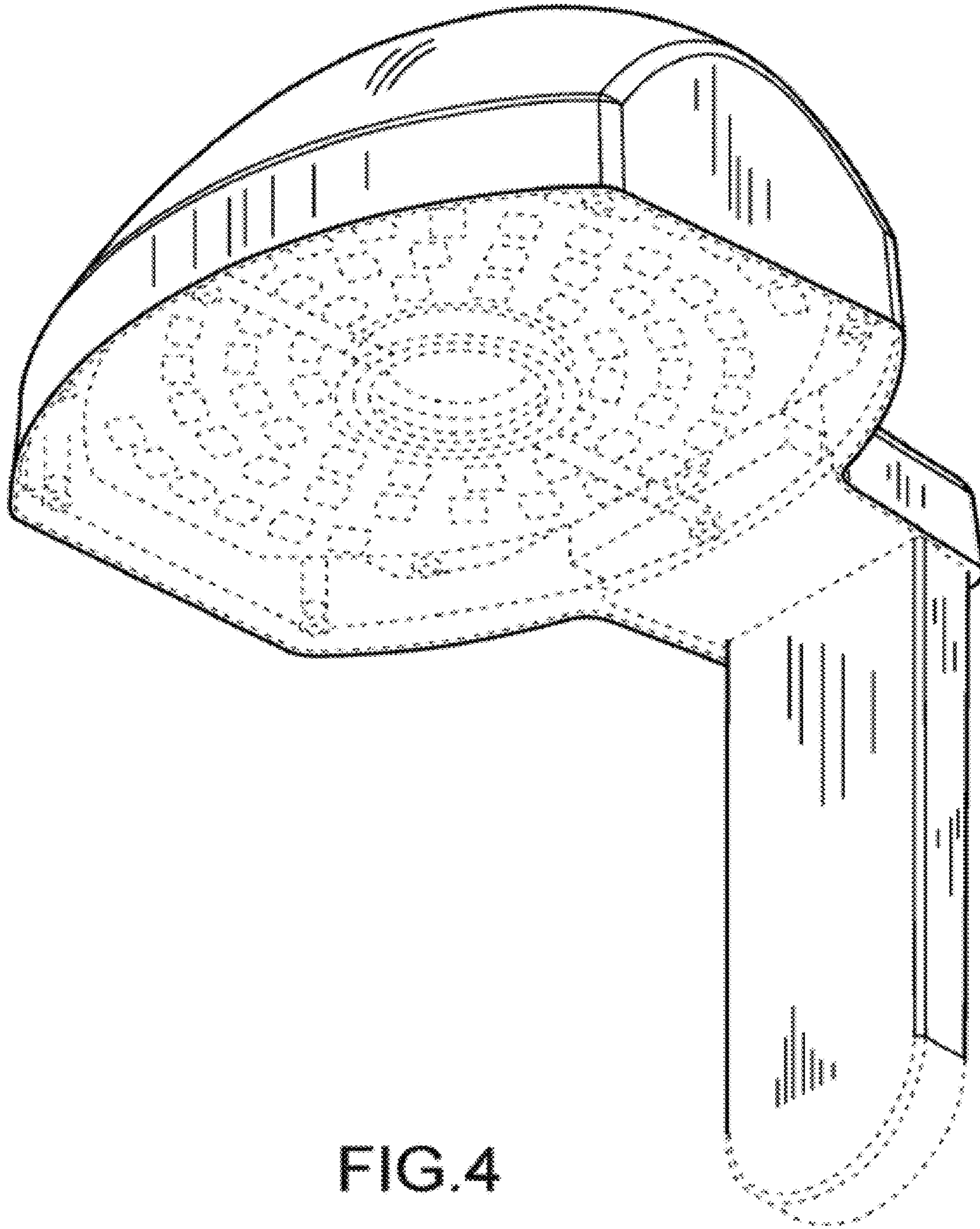


FIG. 4

UNITED STATES PATENT AND TRADEMARK OFFICE
CERTIFICATE OF CORRECTION

PATENT NO. : D812,769 S
APPLICATION NO. : 29/566724
DATED : March 13, 2018
INVENTOR(S) : Joseph V. Ranalletta et al.

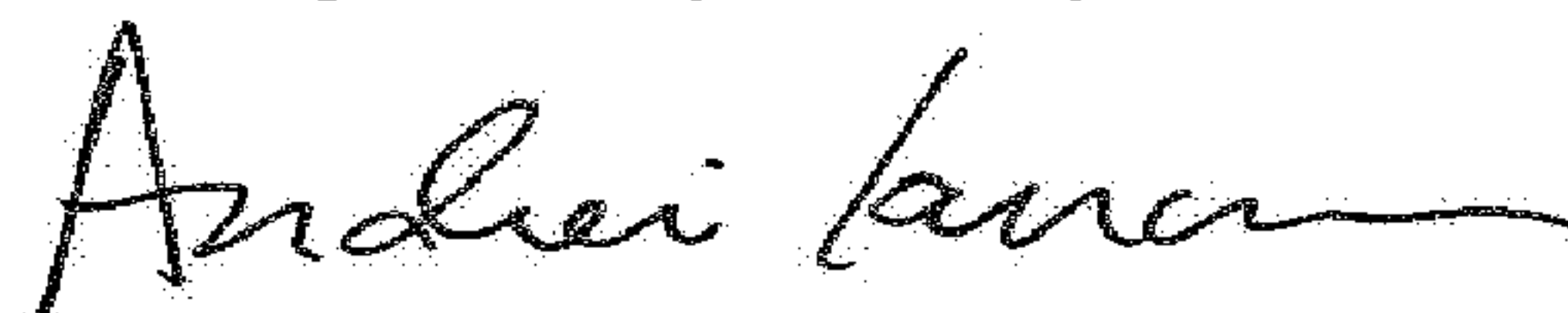
Page 1 of 1

It is certified that error appears in the above-identified patent and that said Letters Patent is hereby corrected as shown below:

On the Title Page

The Related U.S. Application Data (63) reading “Continuation of application No. 14/438,559, filed as application No. PCT/US2013/032545 on Mar. 15, 2013, now Pat. No. 9,375,079” should be changed to “Continuation of application No. 14/438,559 filed on April 24, 2015, now Pat. No. 9,375,079, which is a U.S. national stage entry of Application No. PCT/US2013/032545 filed on March 15, 2013, which claims the benefit of U.S. Provisional Application No. 61/719,256 filed on October 26, 2012”

Signed and Sealed this
Eighth Day of May, 2018



Andrei Iancu
Director of the United States Patent and Trademark Office